

This Owner's Manual is provided and hosted by [Appliance Factory Parts](#).



HUNTINGTON 6666-63 Owner's Manual

[Shop genuine replacement parts for HUNTINGTON
6666-63](#)



[Find Your HUNTINGTON Grill Parts - Select From 154 Models](#)

----- Manual continues below part list -----

Available Replacement Parts for HUNTINGTON 6666-63

10070-E13A	HARDWARE BAG LID D HANDLE
32300112	HINGE PIN CLEVIS 7/64
91122GC	GP GRID CAST IRON 2PC Set
S21420	PUSH NUT 3/8
S21233	HITCH PIN CLIP +
Y-12860	SCREW-THCP 1/4-20 X 1-TY-C A04
Y-11793	NUT HEX 1/4 20 JS500 +
Y-12646	SCREW PHCP SHL.8X1/2 TY-AB +
Y-12835	SCREW-PHCP 6-32X1/4 TY-F JS500
Y-11230	HAIRPIN COTTER SIDE BURNER +
10892-15	CASTER 2 1/2 INCH WHEEL KNURLED
Y-12673	SHELF LOCK PIN
Y-11546	SCREW PHCP 1/4-20X5/8 INCH A04#A
Y-12855	SCREW PHCP 1/4-20X3/8UNC-2A + A04 #A
S21014	BOLT HEX CAP 1/4 20 3/4
S21124	SCREW PHCP #8 X 12 +
S21136	SCREW #8 32x3/8 PHCP TYPE C
10390-E10	BURNER SIDE 10BTU W/ELEC #8 +
10892-931A	WHEEL 7 INCH GREY WALL
Y-11561	SCREW PHCP 1/4 20x1.75 TYC A04
18429	FLAV R WAVE - SIGNET/SOVEREIGN
10342-246	IGNITOR ELECTRONIC TRIPLE +
23000-271	SIDE BURNER BODY BASE
10184-E62	SHELF SUPPORT BRACKET LHS +
10184-E63	SHELF SUPPORT BRACKET RHS +
10184-E691	ALIGNMENT BRACKET BLACK
S15170	AXLE PLTD 3/8X20 5/8 CAB +
10184-E651	SHELF SUPPORT LHS BLK
10184-E641	SHELF SUPPORT RIGHT BLK
10711-E47	END CAP SIDE SHELF RHS

10711-E43	EDGE CAP SIDESHLF R REAR.034LB
10711-E45	EDGE CAP SIDESHLF R FRNT.199LB
10711-E48	END CAP SIDE SHELF LHS
10711-E44	EDGE CAP SIDE SHELF LHS REAR
10711-E46	EDGE CAP SIDE SHELF LHS FRONT
S21084	SCREW HEX WASHER HEAD #14x3/4
Y-12119	BUSHING 3/8 HEYCO 6/6 NYLON BLACK
10472-E38	CONTROL KNOB - BEZEL BLK
10184-E501	CASTING SUPPORT L BLK
10184-E511	CASTING SUPPORT RHS BLK
10184-E92	RADIATION SHIELD 390/400
10956-E591	BRACE FRONT BLACK
10222-E402	BAFFLE SIGNET/SOVEREIGN
10711-E42A	EDGE CAP CONTROL COVER LHS
10711-E41A	EDGE CAP CONTROL COVER RHS +
10194-E455	CONTROL COVER S.S 4V *
10342-T16	WIRE ELECTRODE S/B +
10956-E881	BRACE REAR BLACK
23000-251	COVER SIDE BURNER BLACK +
10711-E821	SHELF BODY BLACK
10366-664A	COLLECTOR BOX ASSEMBLY +
10711-E831	SHELF BODY BLACK LHS
23009-951	SIDE BURNER GRID BLK 330/440/550
18010	SMALL LID HEAT INDICATOR
10958-E71	PEDESTAL RESIN BASE LRG +
38110164	warming rack
10342-E12	ELECTRODE W/WIRE +
10472-K431	CONTRL KNOB RESIN LRG BLCK W/SS BA STRIP
52009-901	GREASE PAN - BLACK HIGH HEAT PAINT

HUNTINGTON™



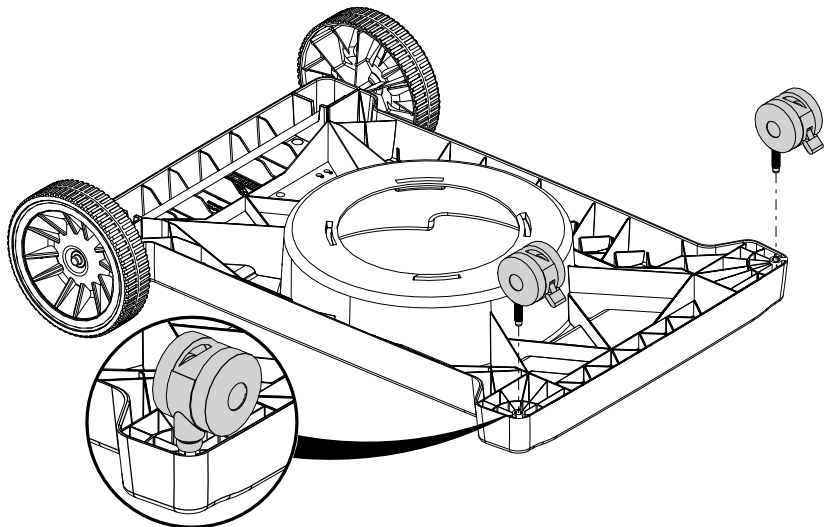
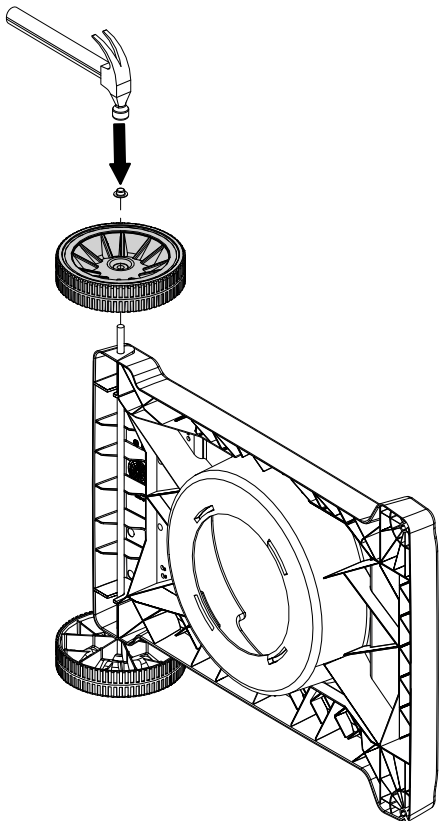
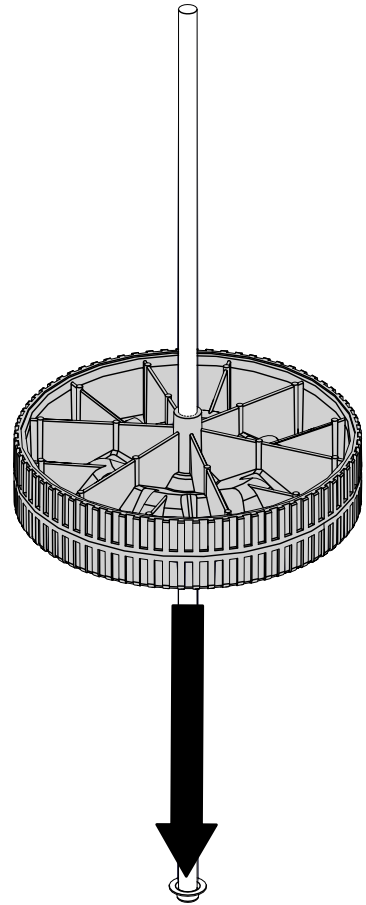
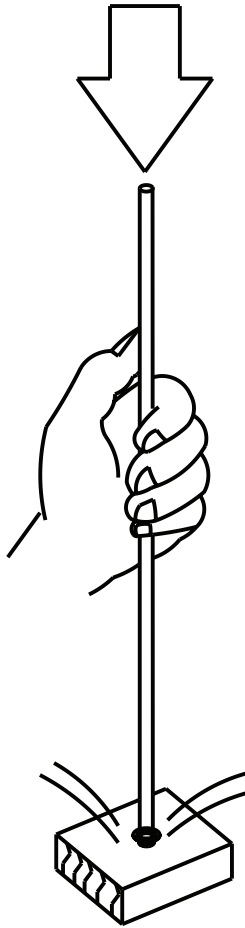
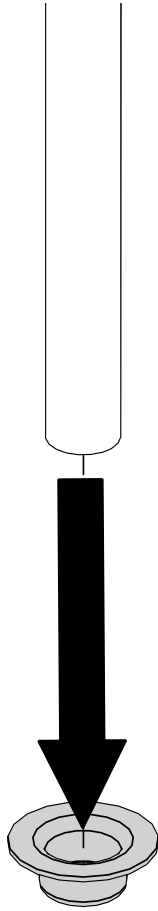
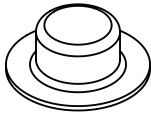
HUNTINGTON™
6666-63

Onward
MANUFACTURING COMPANY
585 KUMPF DRIVE
WATERLOO, ONTARIO, CANADA
N2V 1K3

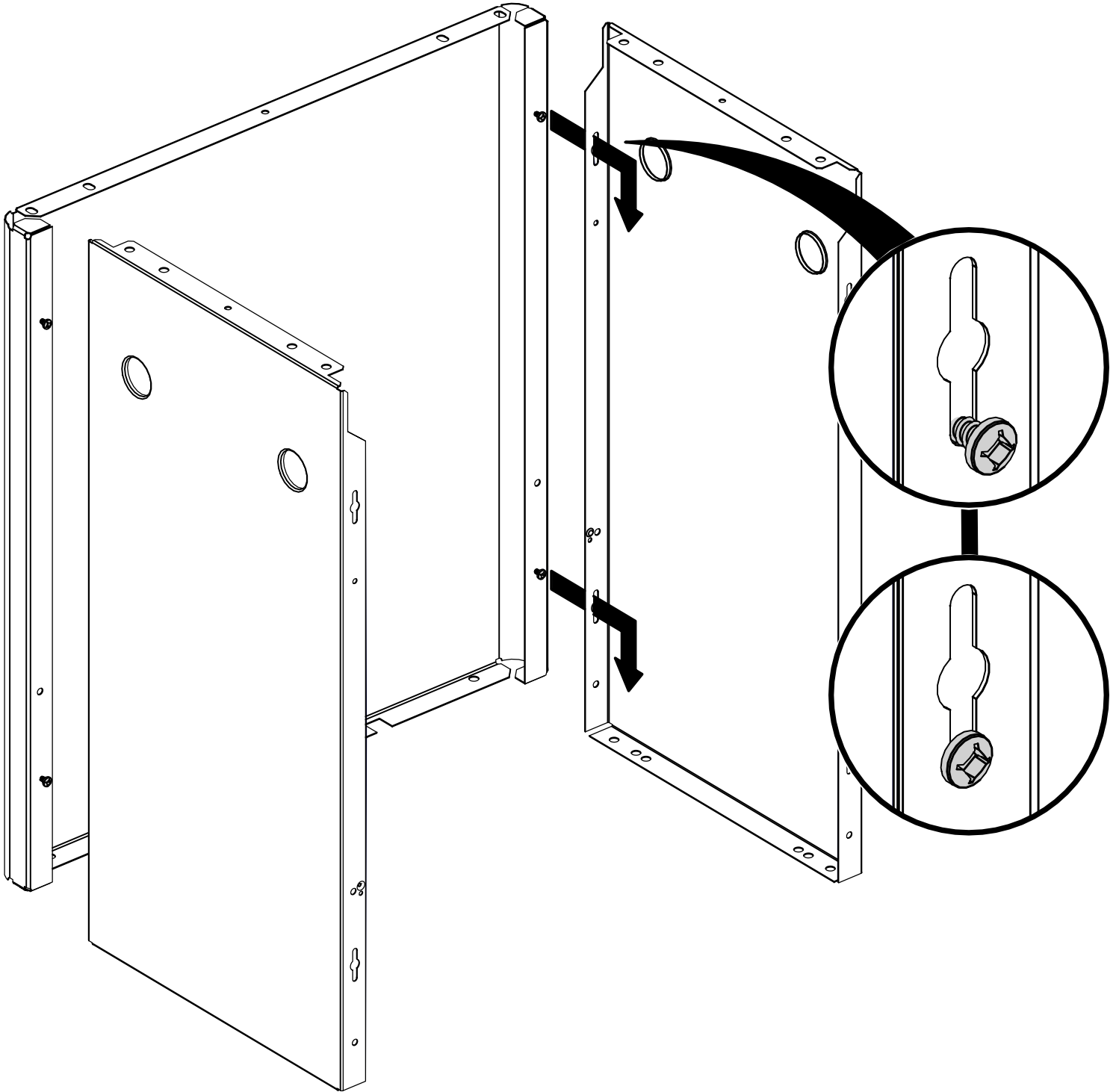
SINCE 1906
LIMITED

1

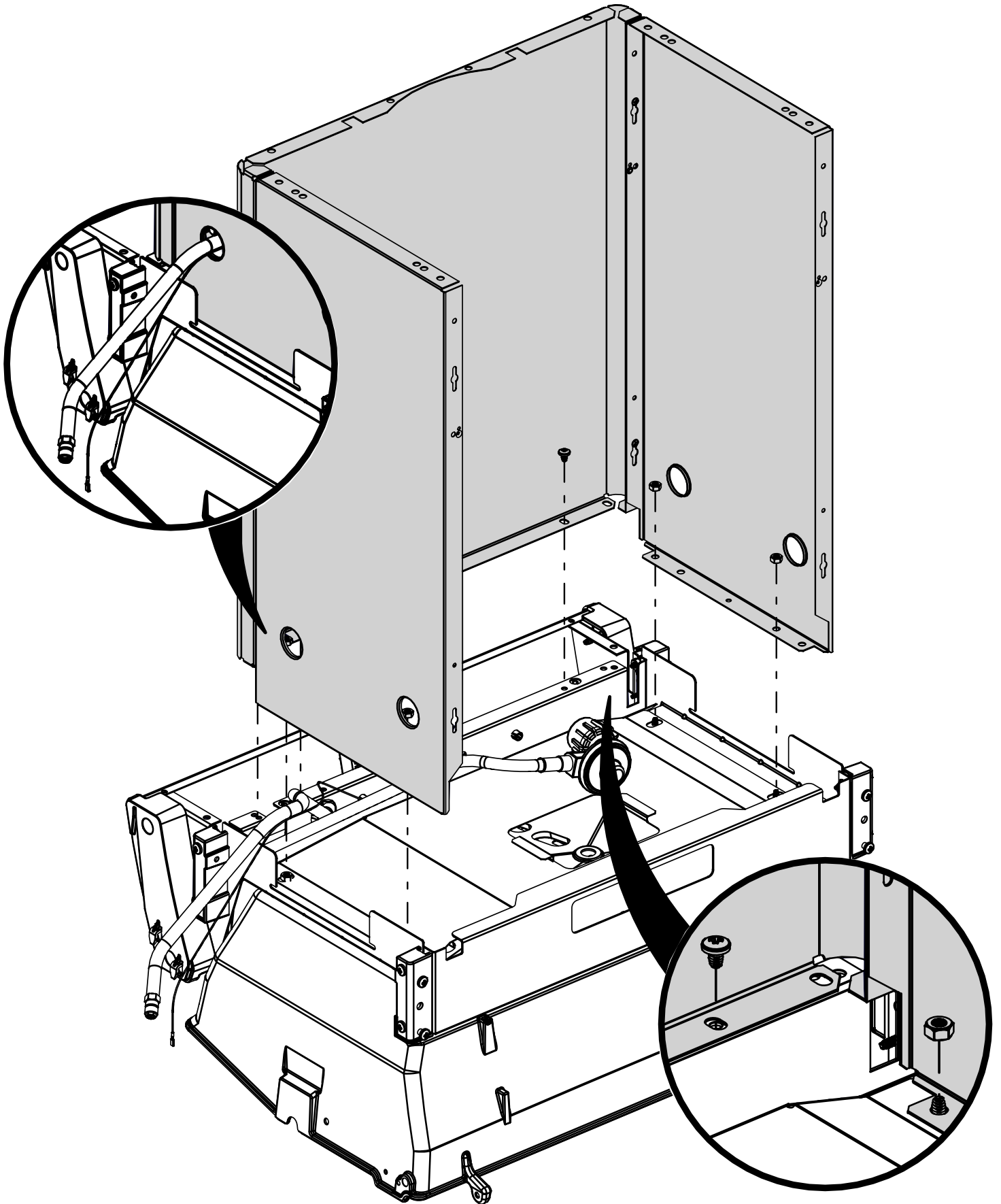
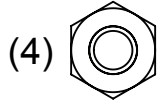
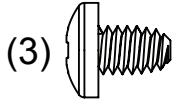
(2)



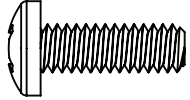
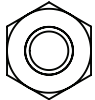
2

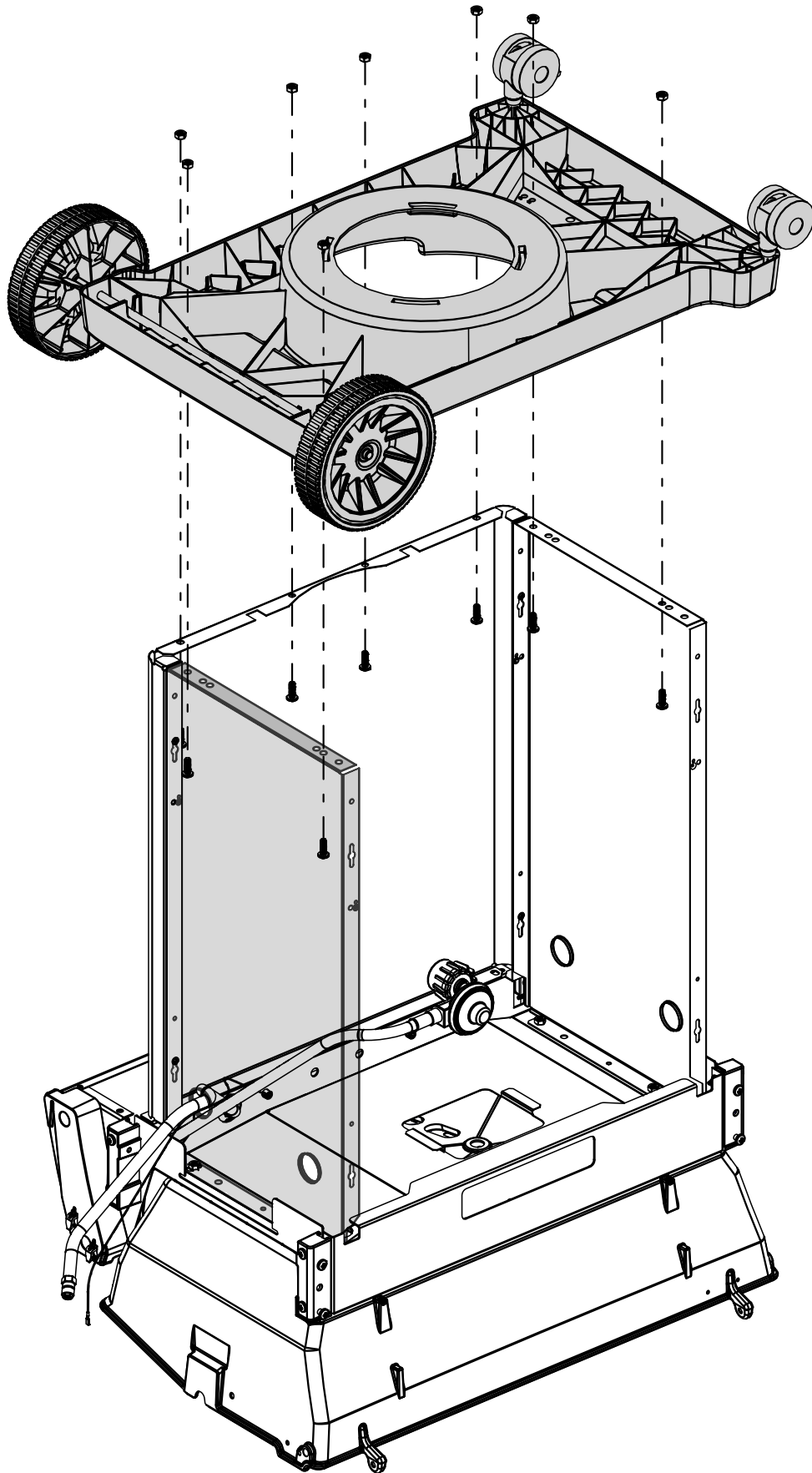


3

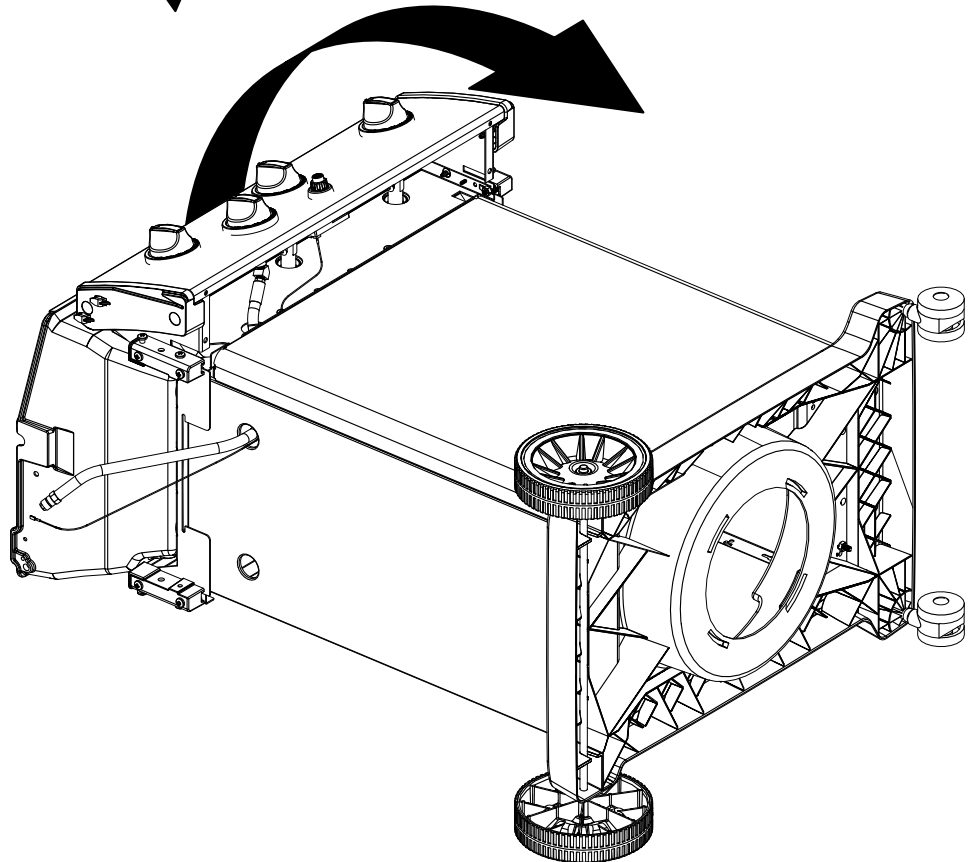
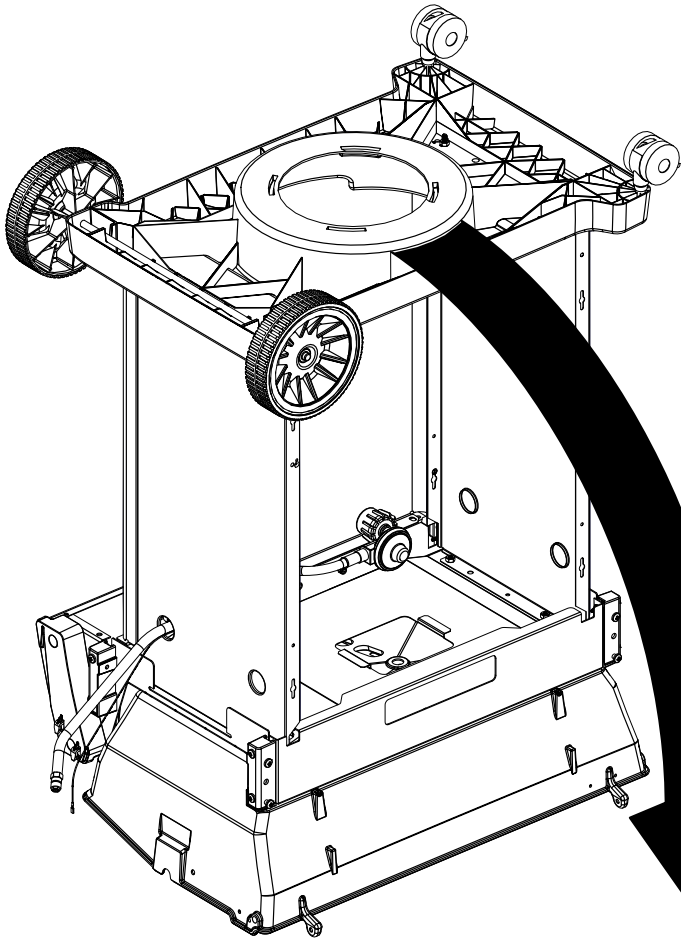


4

(8)  (8) 

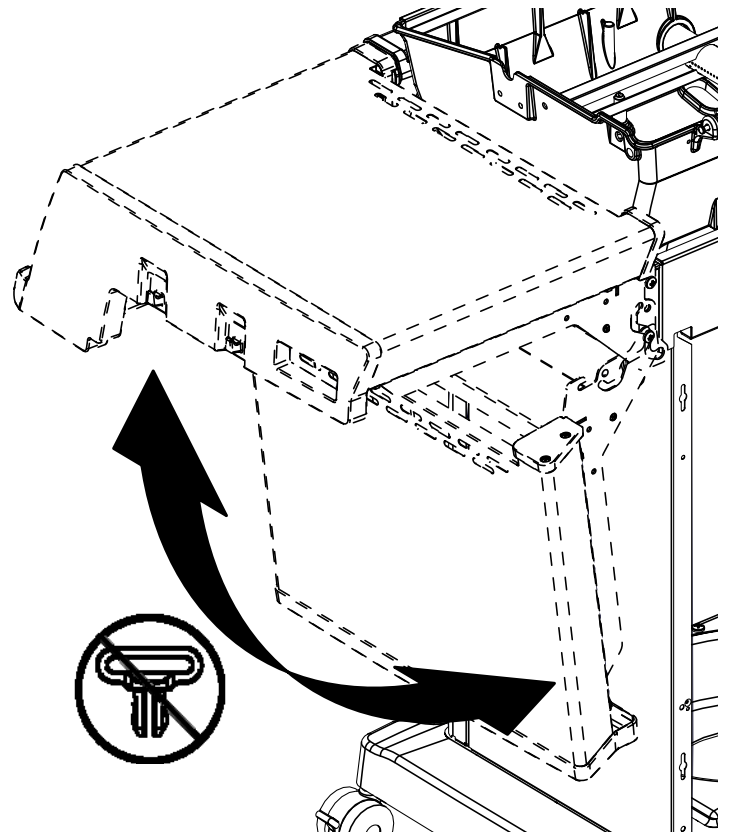
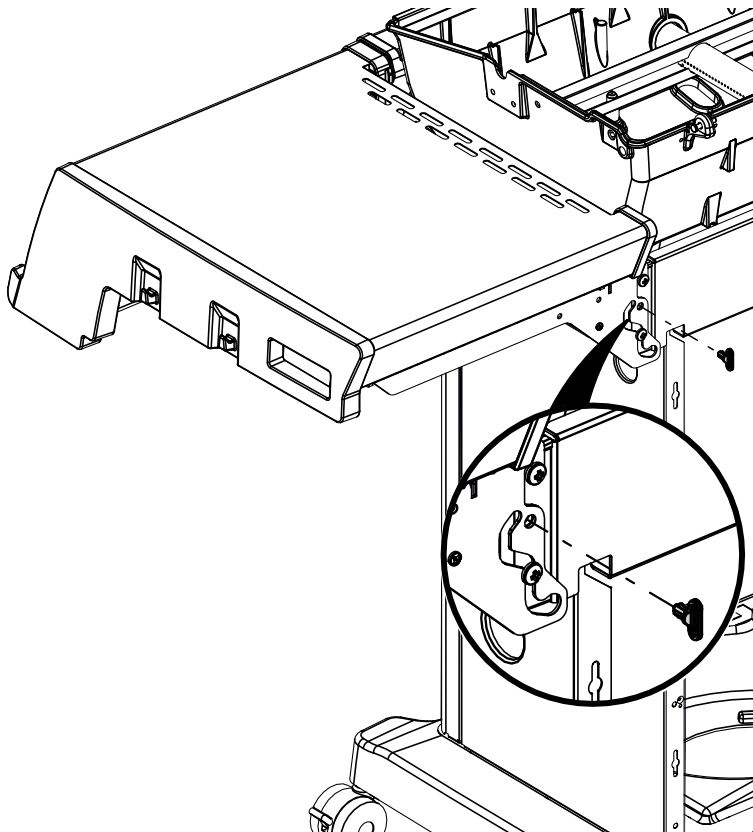
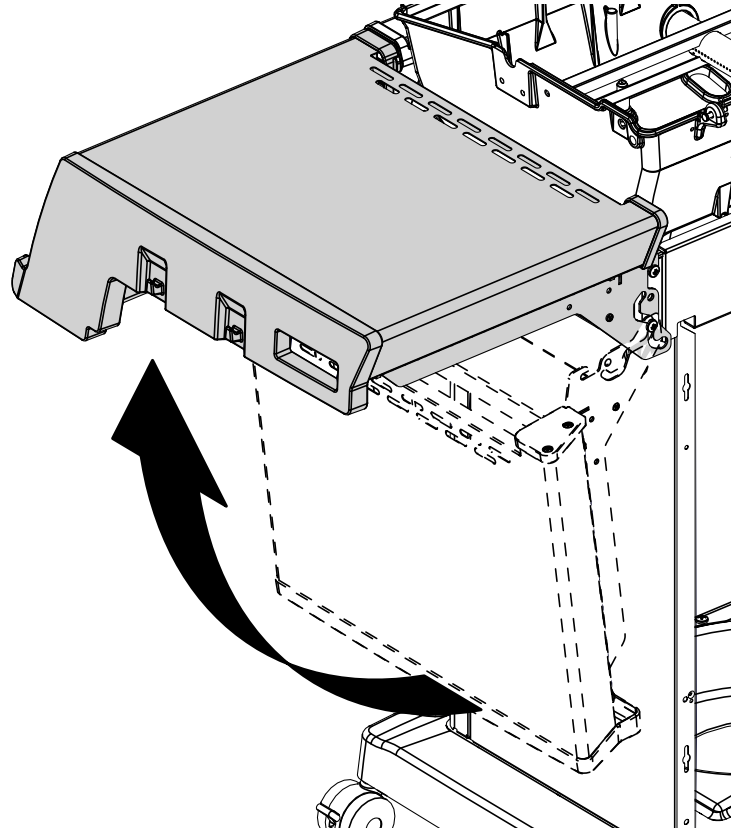
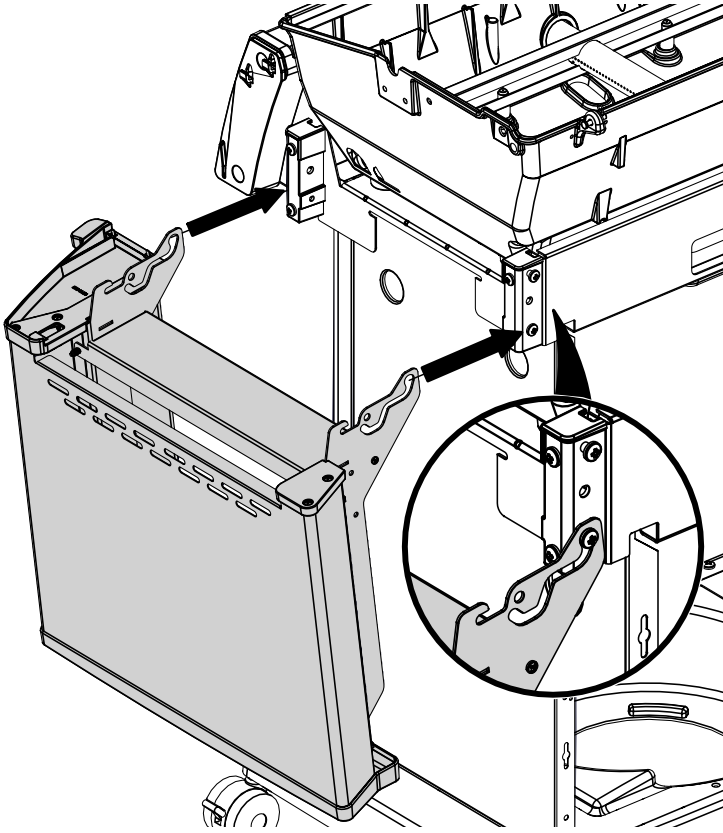
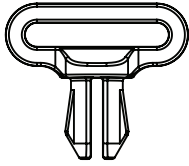


5

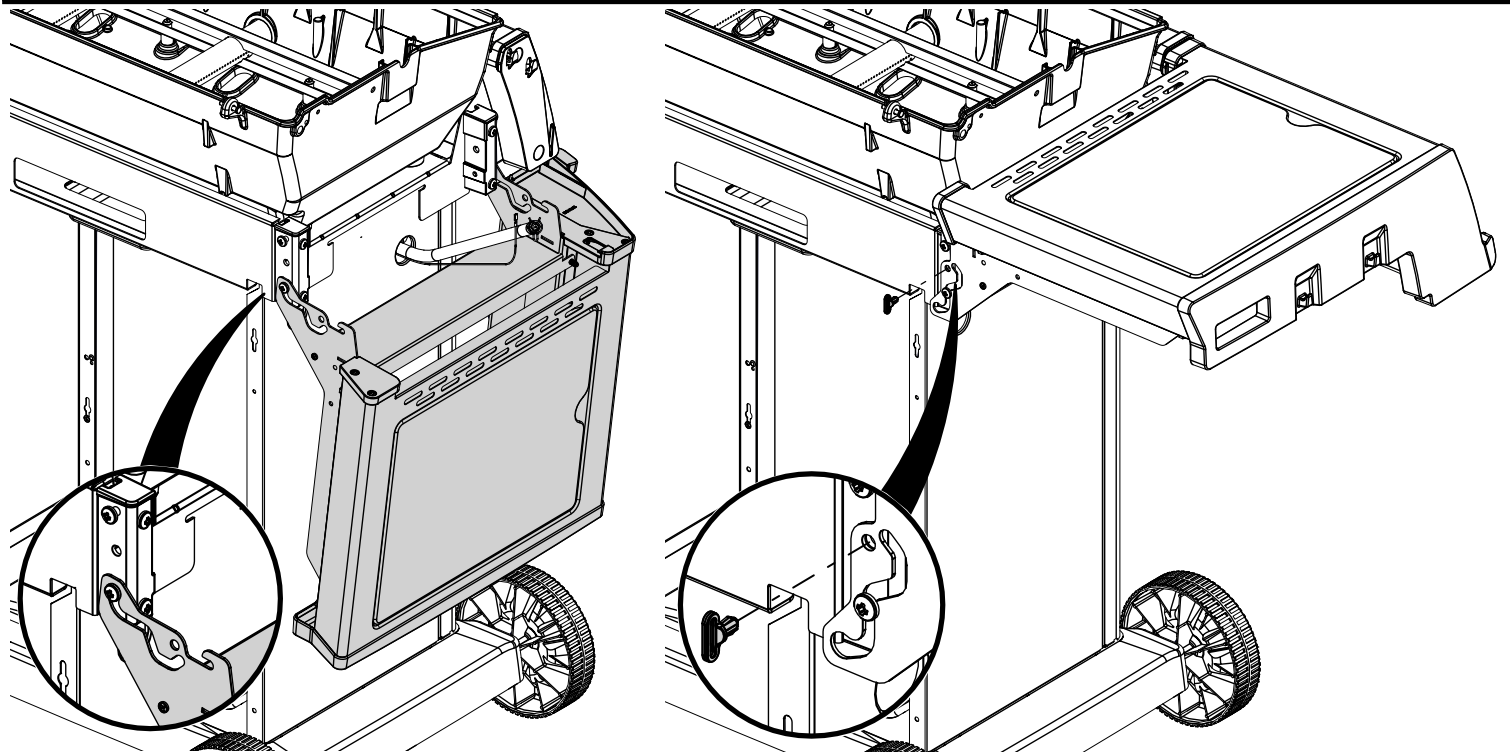


6

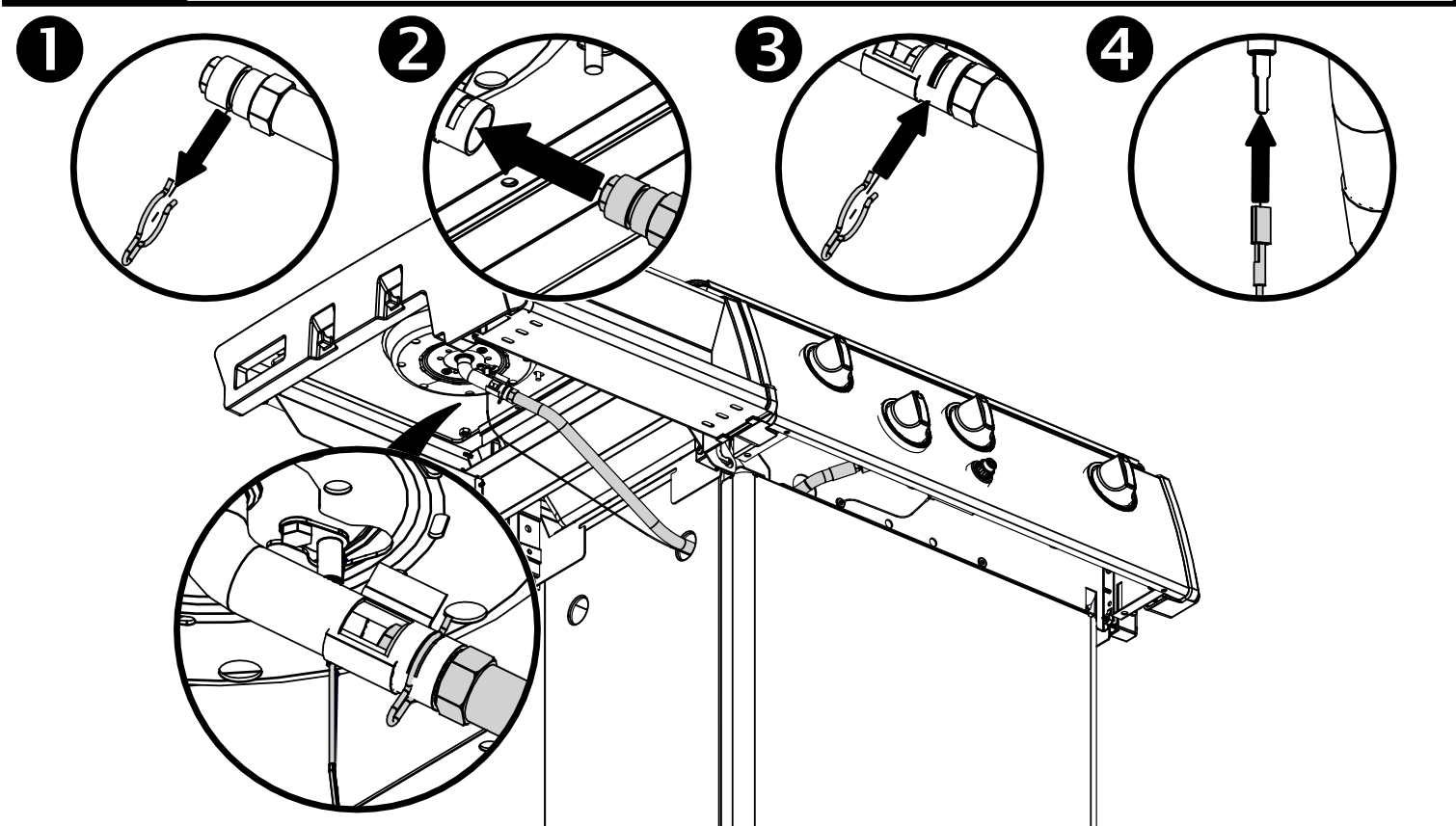
(1)



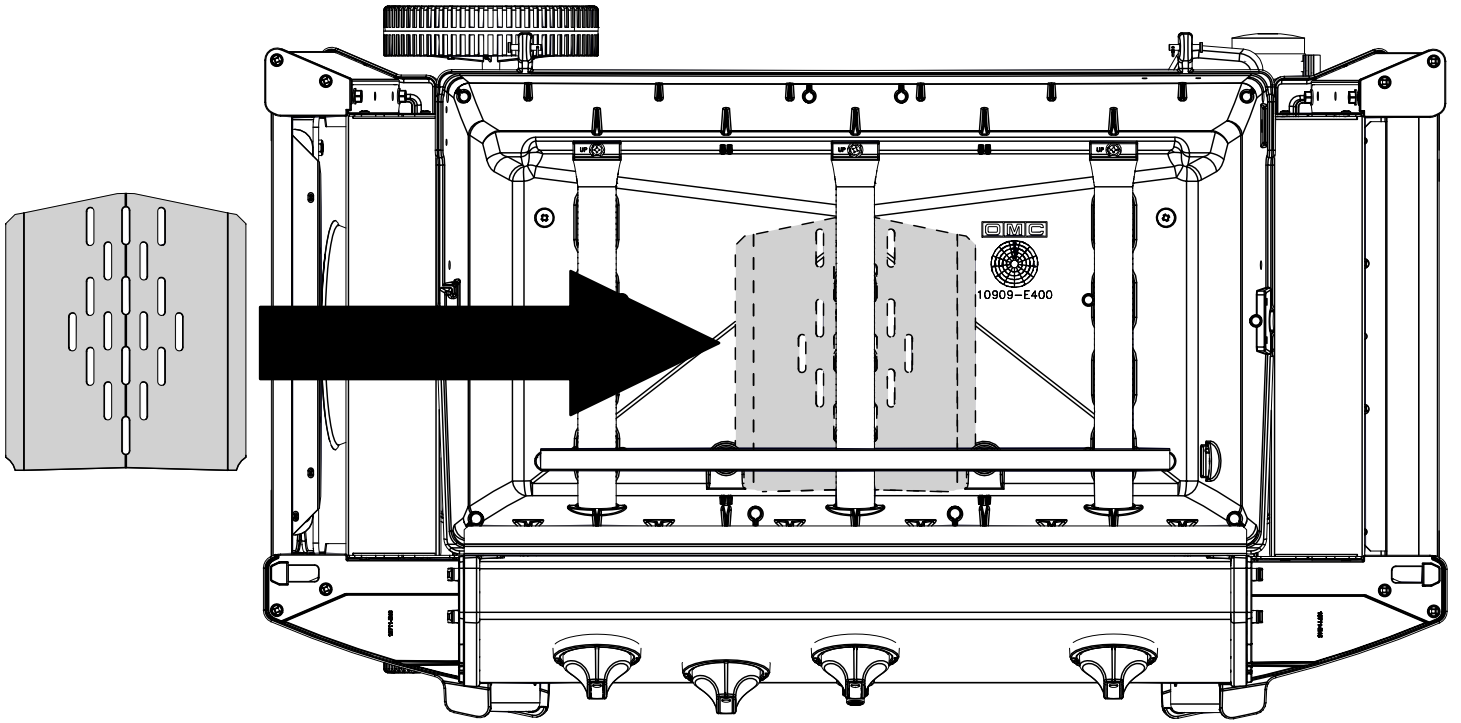
7 (1) 



8 (1) 

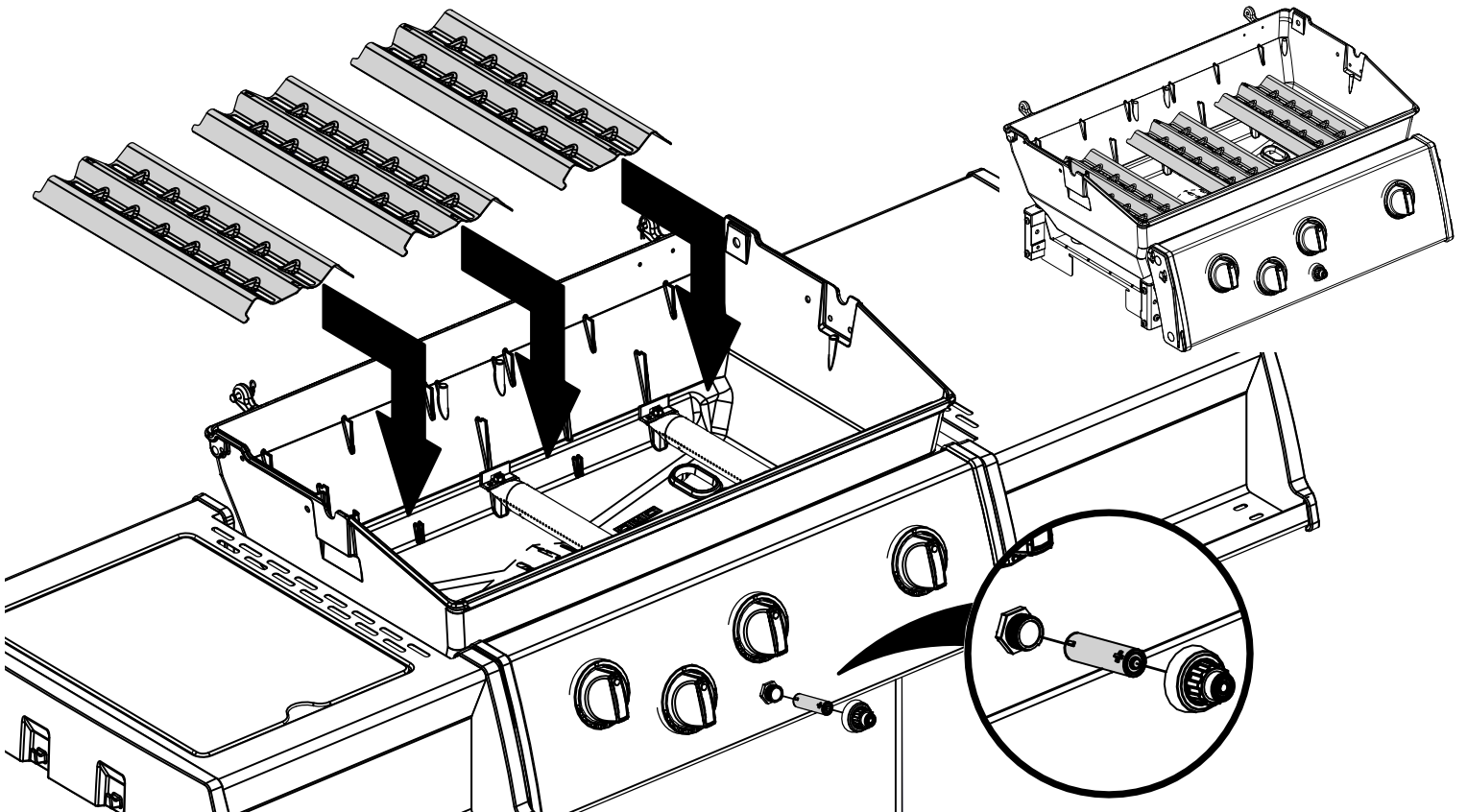


9

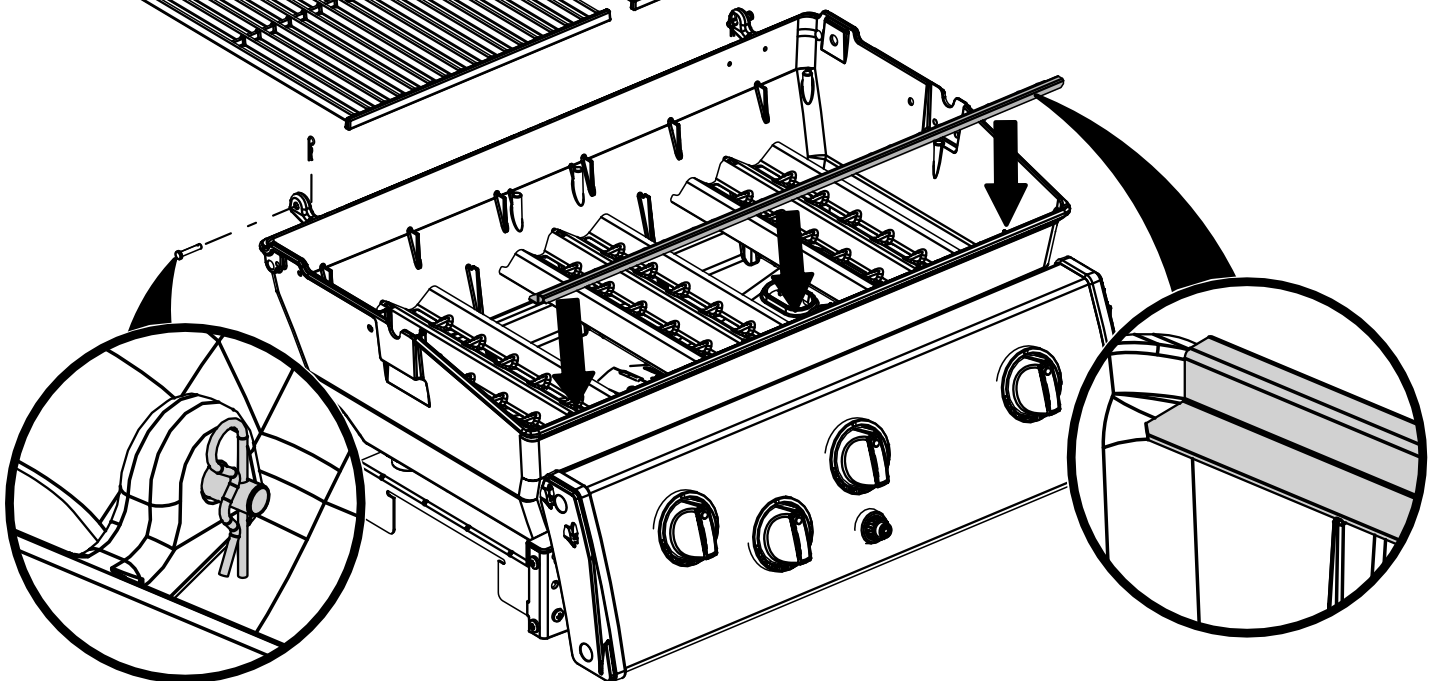
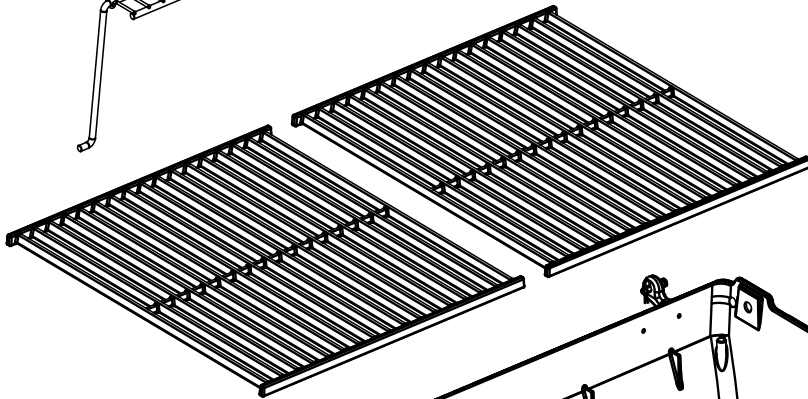
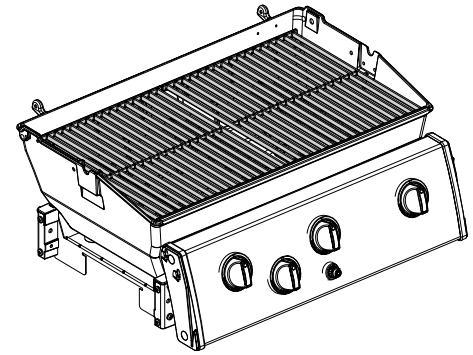
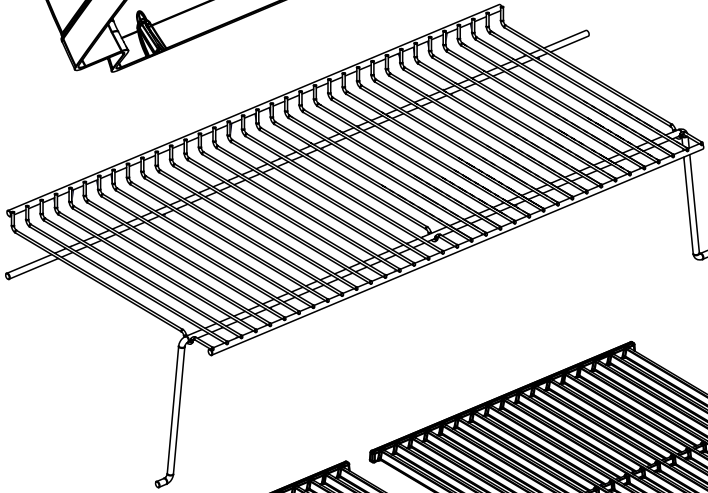
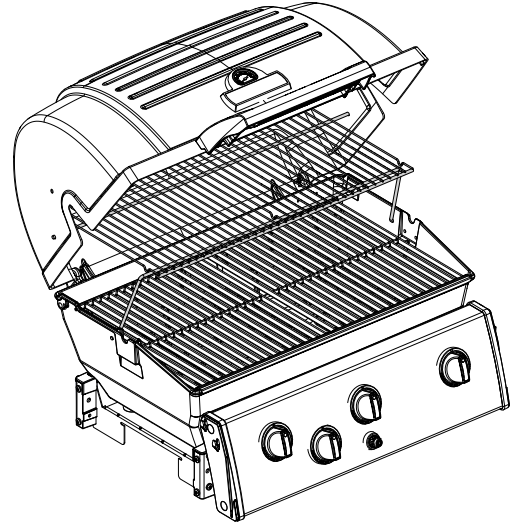
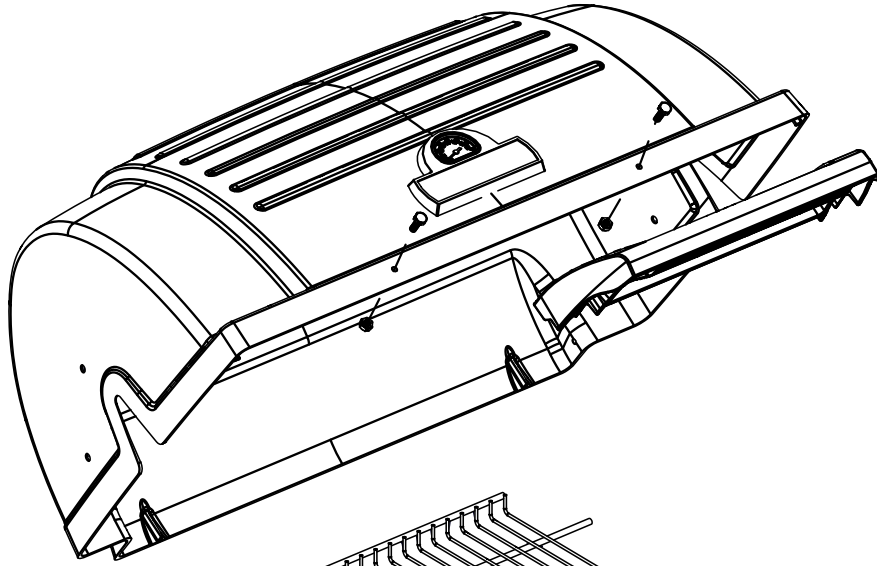
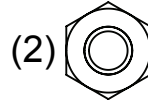
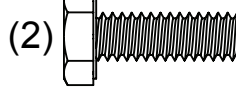
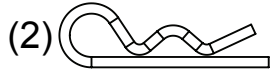
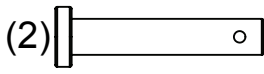


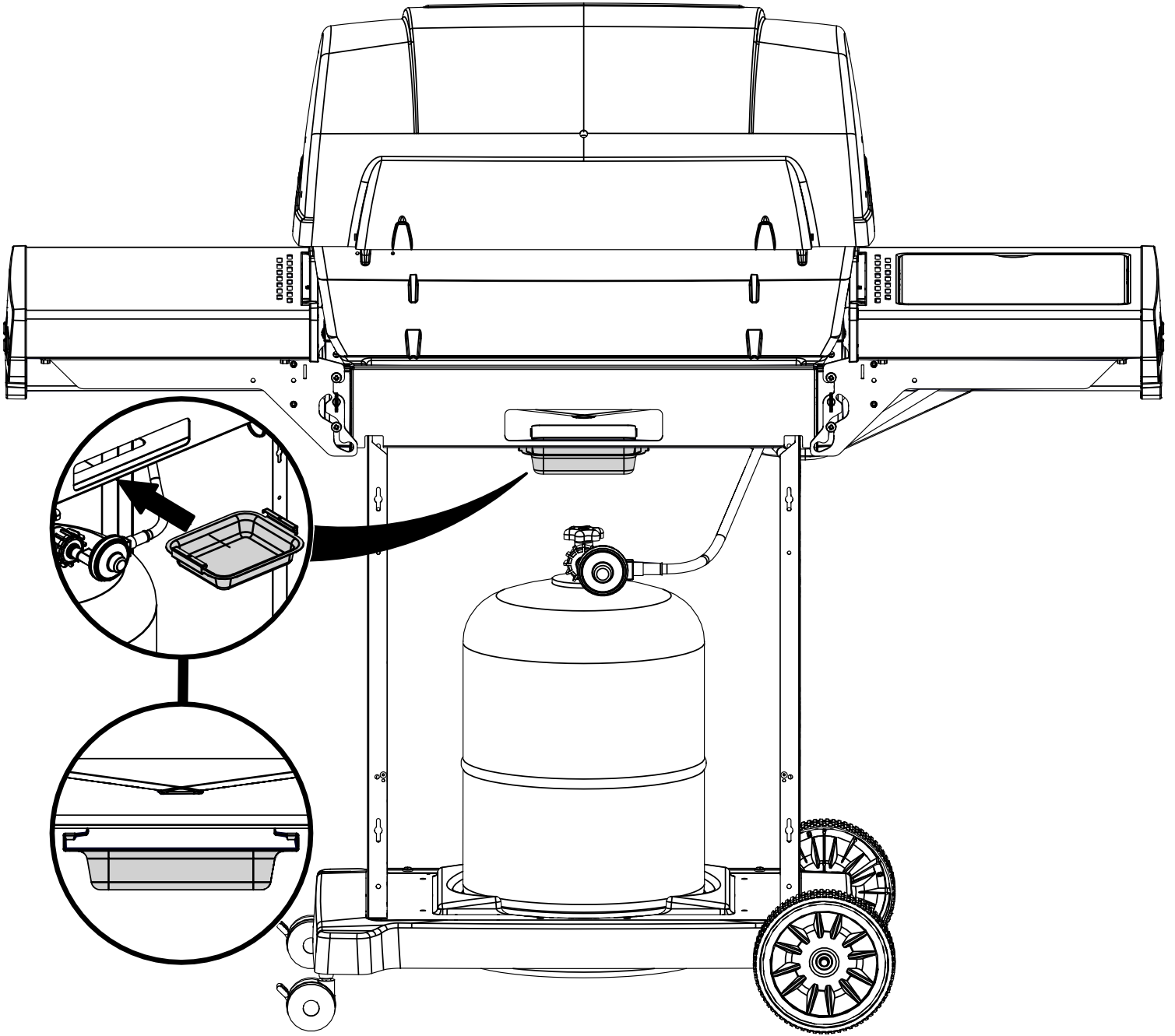
10

(1)



11





PARTS LIST / LISTE DES PIECES

<u>KEY #</u>	<u>ITEM #</u>	<u>DESCRIPTION</u>	<u>6666-63</u>
1	10909-E400	CASTING BOTTOM	1
2	34110320	CASTING TOP	1
3	44080-60	NAMEPLATE	1
5	10571-5	HEAT INDICATOR	1
6	32300112	HINGE PIN	2
7	S21233	HITCH PIN CLIP	2
9	38170121	GRID - PORCELAIN	2
10	10222-E400	FLAV-R-WAVE	1
11	38110164	GRID - WARMING RACK	1
13	10184-R90	BOSS EXTENSION	1
15	52904-E400E	BURNER	3
17	10342-246	ELECTRONIC IGNITOR	1
18	10342-E12	ELECTRODE	3
19	10366-664A	COLLECTOR BOX	1
21	10444-E42E	CONTROL ASSEMBLY	1
21A	S13470-079	HOSE-SIDE BURNER	1
21B	Y-11230	CLIP	1
23	10472-K431	CONTROL KNOB	4
23A	10472-E38	CONTROL BEZEL	4
25	10222-E402	BAFFLE	1
30	10194-E45	CONTROL COVER	1
31	10711-E42A	EDGE CAP - CONTROL COVER	1
32	10711-E41A	EDGE CAP - CONTROL COVER	1
33	10184-E92	RADIATION SHIELD	1
35	10184-E501	SUPPORT-CASTING-LEFT	1
36	10184-E511	SUPPORT-CASTING-RIGHT	1
37	10184-E651	SUPPORT-SIDE SHELF-LEFT	2
37A	10184-E62	SUPPORT - SHELF BRACKET - LEFT	2
38	10184-E641	SUPPORT-SIDE SHELF-RIGHT	2
38A	10184-E63	SUPPORT - SHELF BRACKET - RIGHT	2
39	10956-E881	BRACE-REAR	1
40	10958-E71	BASE	1
41	10956-E591	BRACE-FRONT	1
42	10958-E581	FRONT PANEL	1
43	10958-E561	SIDE PANEL	2
47	10184-E681	BRACKET - SHELF	2
48	10184-E691	BRACKET - SHELF	2
49	10711-E811	CONDIMENT BIN	2
50	10711-E821	SHELF - RIGHT	1
51	10711-E831	SHELF - LEFT	1
56	10892-7G	WHEEL	2
60	10711-E47	END CAP - SHELF - RIGHT	1
61	10711-E44	EDGE CAP - SHELF - RIGHT REAR	1
62	10711-E45	EDGE CAP - SHELF - RIGHT FRONT	1
63	10711-E48	END CAP - SHELF - LEFT	1
64	10711-E43	EDGE CAP - SHELF - LEFT REAR	1
65	10711-E46	EDGE CAP - SHELF - LEFT FRONT	1

PARTS LIST / LISTE DES PIECES

<u>KEY #</u>	<u>ITEM #</u>	<u>DESCRIPTION</u>	<u>6666-63</u>
73	S21420	PUSH NUT	2
74	S21084	SCREW - #14 x 3/4	11
75	30230230	HANDLE	1
76	S21014	BOLT - 1/4-20 X 3/4	2
78	10892-15	CASTOR	2
79	Y-11561	SCREW - 1/4-20 X 1 1/4	8
80	Y-11546	SCREW- 1/4-20 X 3/8	8
81	Y-12860	SCREW - 1/4-20 X 1 3/8	8
82	Y-12673	SHELF LOCK PIN	2
83	Y-12310	BOLT - 1/4 -20 X 3/4	8
84	S15170	AXLE	1
85	Y-12855	SCREW 1/4-20 X 3/8	3
86	Y-12861	CAP SCREW - 1/4-20 x 3/8	2
87	Y-11793	NUT- 1/4-20	12
98	S21124	SCREW - 8 X 1/2	28
99	Y-12646	SCREW - SHOULDER 8 X 1/2	2
104	Y-12835	SCREW - 6-32 X 1/4	2
105	Y-12117	BUSHING	2
106	Y-12863	WASHER	4
107	Y-12853	WASHER	2
109	S21136	SCREW - 8-32 X 3/8	8
110	53140-981	GRID	1
111	10390-E10	SIDE BURNER	1
113	10342-T16	ELECTRODE - SIDE BURNER	1
114	23000-251	COVER-SIDE BURNER	1
117	23000-271	SHELF-SIDE BURNER	1
123	52009-902	GREASE PAN	1
135	Y-12119	BUSHING	2

