

This Owner's Manual is provided and hosted by [Appliance Factory Parts](#).



HUNTINGTON 6765-27 Owner's Manual

[Shop genuine replacement parts for HUNTINGTON
6765-27](#)



[Find Your HUNTINGTON Grill Parts - Select From 154 Models](#)

----- Manual continues below part list -----

Available Replacement Parts for HUNTINGTON 6765-27

| | |
|---------------------------|--|
| 18013 | LID HEAT INDICATOR - LARGE - SS |
| S21233 | HITCH PIN CLIP + |
| S21255 | WASHER 26 ID X 3/4 OD X 1/16 + |
| Y-11793 | NUT HEX 1/4 20 JS500 + |
| Y-12646 | SCREW PHCP SHL.8X1/2 TY-AB + |
| Y-11230 | HAIRPIN COTTER SIDE BURNER + |
| Y-11546 | SCREW PHCP 1/4-20X5/8 INCH A04#A |
| Y-12855 | SCREW PHCP 1/4-20X3/8UNC-2A + A04 #A |
| Y-11795 | NUT LOCKING |
| S21124 | SCREW PHCP #8 X 12 + |
| Y-29304 | SCREW PHCP #10 24x3/8 |
| Y-12220 | S/B BUSHING SB 1.375 16 HEY |
| S21235 | HINGE PIN W/HOLE |
| Y-11560 | BOLT PHCP 1/4 20x1-1/2 TYC + |
| S21125 | SCREW 8 X 3/8 PAN HEAD |
| S35094 | SCREW #10-24 X 5/8 |
| Y-11987 | BOLT CARRIAGE 1/4-20x1.25 UNC+ |
| 18433 | FLAV-R-WAVE - IMPERIAL/REGAL - SS |
| 10342-246 | IGNITOR ELECTRONIC TRIPLE + |
| 29005-034 | VALVE ASSEMBLY 4V+SB LP + |
| 22005-434 | CONTROL COVER - 5 KNOB |
| Y-11231 | LID BUMPER ROUND BLK |
| Y-12223 | MAGNET SNAP IN - DOOR |
| Y-12222 | MAGNET - DOOR |
| 23000-253 | SIDE BURNER LID IR SS |
| 23000-271 | SIDE BURNER BODY BASE |
| 22009-901 | GREASE PAN FORMED + |
| 10342-T18 | WIRE ELECTRODE S/B 600 + |
| 27005-91 | FIREBOX-HEAT SHIELD 500 4V .5 GALVALUM C |
| 22005-991 | WARMING RACK PORC COATED 500 |

| | |
|----------------------------|--|
| 10240-20 | DOOR PIN TOP |
| 10240-19 | DOOR PIN BOTTOM |
| Y-12124 | DOOR PIN CAP BOTTOM |
| 27055-901 | GREASE TRAY PORC FORMED 440 + |
| 21475-138 | DOOR HANDLE RESIN |
| 23009-608 | SHELF STRAP RESIN W/SS STRIP + |
| 23100-654 | SIDE SHELF INSERT LHS 430SS + |
| 22275-114A | DOOR ASSEMBLY RHS SS (NO HNDL) |
| 21039-911 | CASTER BRACKET BLACK |
| Y-12127 | DOOR CLIP UPPER |
| Y-29310 | SCREW #10-24 3/4 TRUSS QU |
| 20005-000 | HARDWARE BAG STICK & CHAIN SS |
| 10892-23 | CASTER RUBBER 3 INCH W/PLATE |
| 44089-60 | NAMEPLATE PATRIOT |
| Y-99101 | DRAWER SLIDE SET LHS & RHS 16 INCH |
| 18633 | BURNER-TUBE-IN-TUBE-IMPERIAL/REGAL-SS |
| 82315-021 | COOKBOX 500 HOOD PANEL PORC |
| 80012 | regulator and hose READ ADD. INFO |
| 10892-285 | CASTER 3 INCH RUBBER W/LEG LEVEL |
| 21036-901 | SHELF SUPPORT BLK 625 |
| 82305-021R | FIREBOX 500 REAR PANEL PNTD W/RIVNUTS |
| Y-12865 | SCREW 1/4 X 20X1/2 TYPE-C PHCP |
| 10390-R81A | SIDE BURNER ASSY |
| 21335-111 | TOP MAGNET BRACKET 500 BLACK |
| 22022-284 | GRID SS 9MM DBL WIDE 500/625/750 |
| 23009-99 | SIDE BURNER TRIVET CI |
| 17000 | KNOB-SMALL CONTROL KNOB-RESIN AND CHROME |
| 17010 | KNOB-LARGE CONTROL KNOB-RESIN AND CHROME |
| Y-11544S | SCREW - BURNER #10-24 X 3/8 |
| 10111-K45 | HOSE 3/8 INCH ASSEMBLY NG 10 FOOT + |
| 10342-E12 | ELECTRODE W/WIRE + |
| 22001-168 | CONTROL KNOB BEZEL SML |
| 22002-268 | CONTROL KNOB BEZEL LARGE |

| | |
|---------------------------|--|
| 21035-991 | GREASE RAIL 440/500 SABLE BLK |
| 21009-951 | TANK COLLAR CLAMP 625/750 BLK PULL OUT |
| 27249-904 | GREASE SHIELD MODULAR, 6.5 x 6 |
| 22025-903 | COLLECTOR BOX ASSY 500 430SS |
| 23101-613 | SIDE SHELF - RIGHT SS430 |

HUNTINGTON™

ASSEMBLY MANUAL & PARTS LIST

MANUEL DE MONTAGE & LISTE DE PIÉCES



HUNTINGTON™

6765-24

6765-27

RETAIN FOR FUTURE REFERENCE

VEUILLEZ CONSERVER POUR REFERENCE ULTERIEURE

ASSEMBLY VIDEO

VIDÉO MONTRANT
L'ASSEMBLAGE

VIDEO DE
ENSAMBLAJE



HUNTINGTONBBQ.COM

Onward
MANUFACTURING COMPANY
SINCE 1906
1000 EAST MARKET STREET
HUNTINGTON, INDIANA, 46750, USA

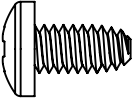

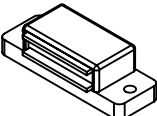


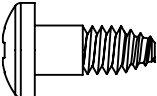
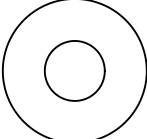

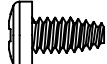
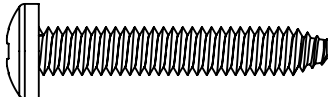
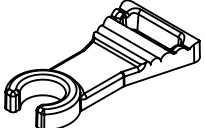
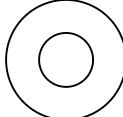
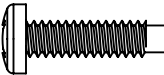

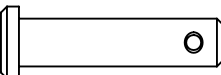


info@omcbbq.com
1-800-265-2150

20084-E93 REV B 03/15



HARDWARE INCLUDED / MATERIAL INCLUS / EQUIPOS INCLUIDO



| | | | | | | | | | |
|-----------|--|-----|---------|---|---------|---|--|----|----|
| Y-12865 |  | X18 | S21124 |  | X6 | Y-12222 |  | X2 | |
| Y-12223 |  | X2 | S21125 |  | X4 | Y-11546 |  | X2 | |
| S21125 |  | X2 | Y-11795 |  | X2 | Y-29304 |  | X4 | |
| Y-11560 |  | | | X4 | Y-12127 |  | | | X2 |
| Y-12857 |  | X4 | Y-29310 |  | X4 | S35094 |  | X1 | |
| S21235 |  | X2 | S21233 |  | X2 | | | | |
| 20005-000 |  | | | | | | | X1 | |



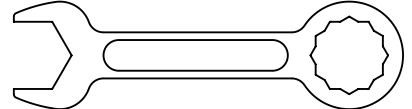
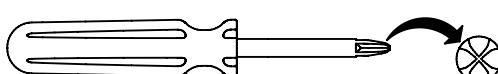
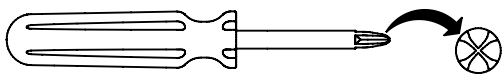
TOOLS REQUIRED / OUTILS NECESSAIRES / HERRAMIENTAS NECESARIAS



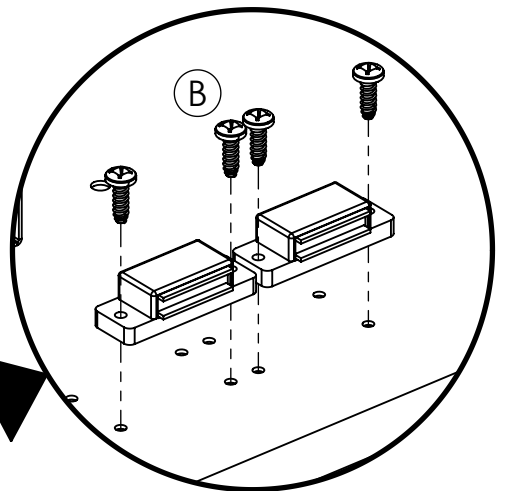
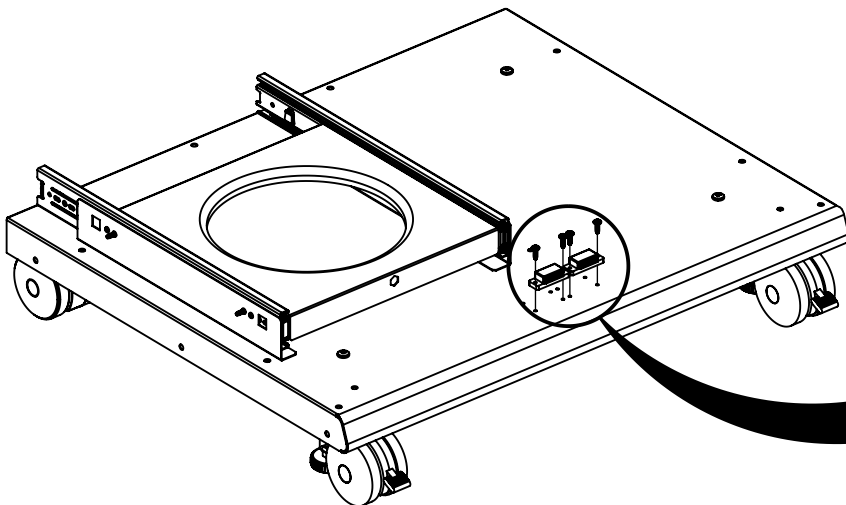
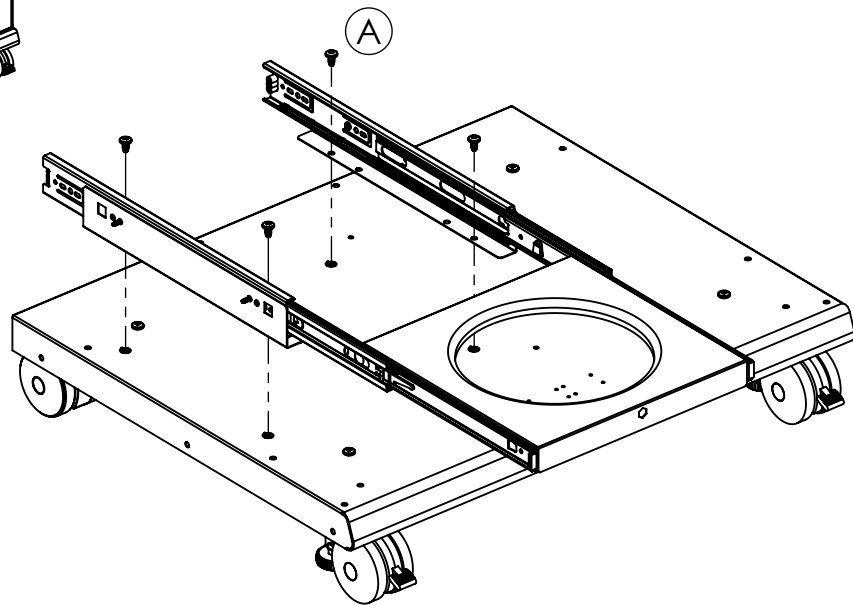
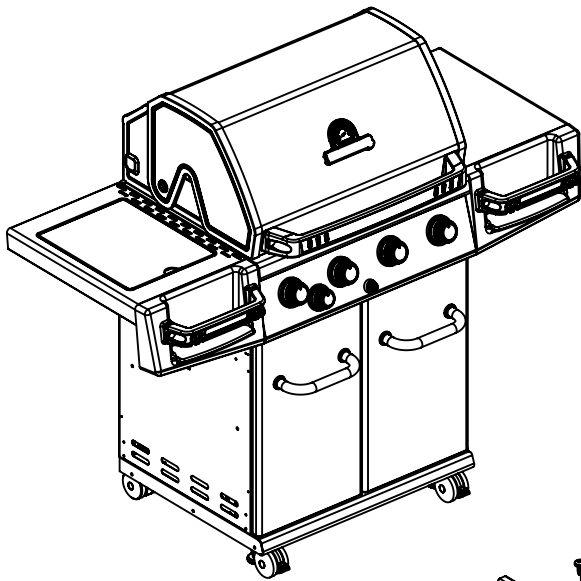
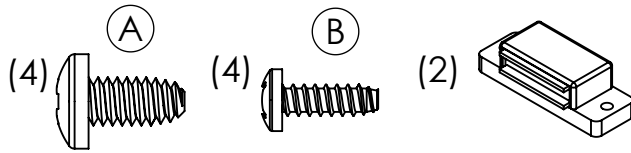
#2 PHILLIPS

#3 PHILLIPS


7/16"
(11MM)

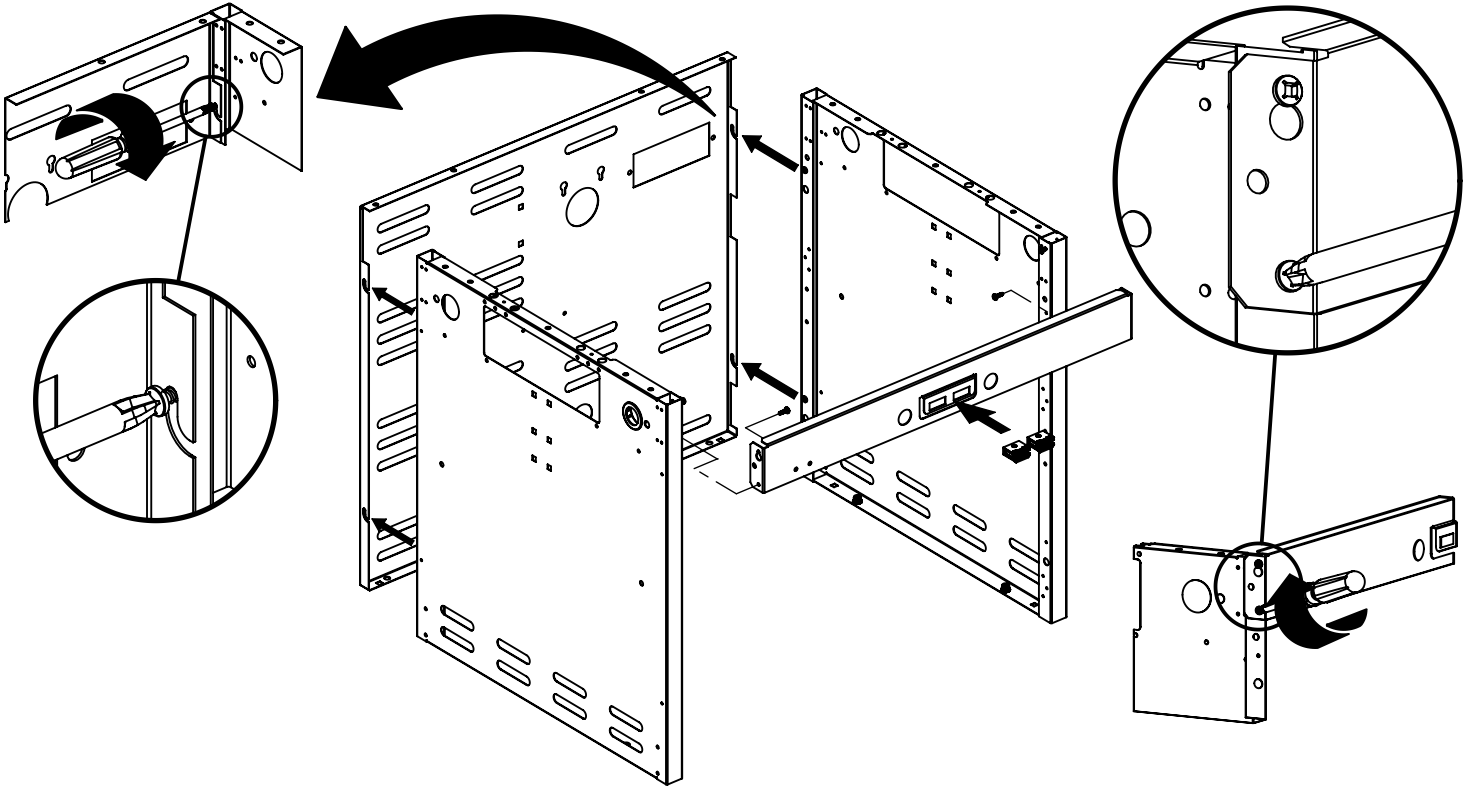


1

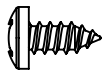


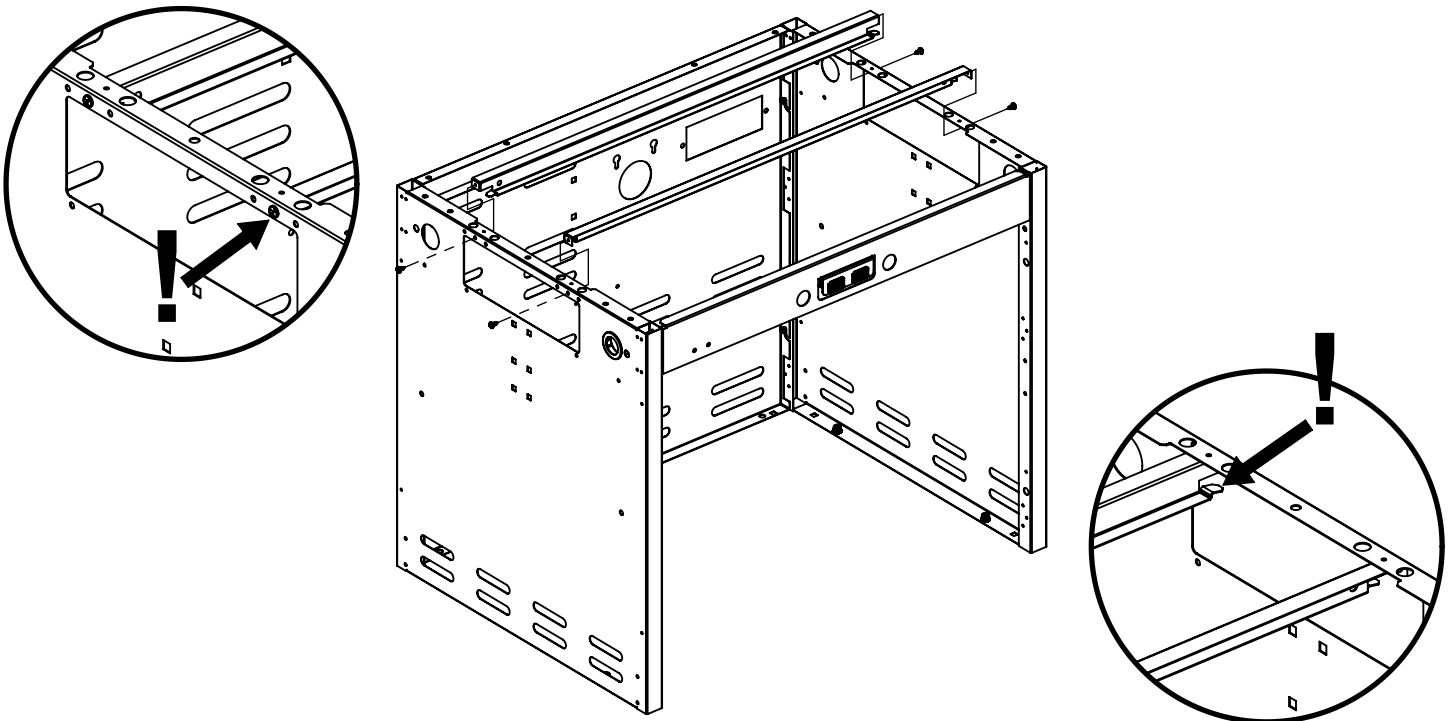
2

(2)  (2) 

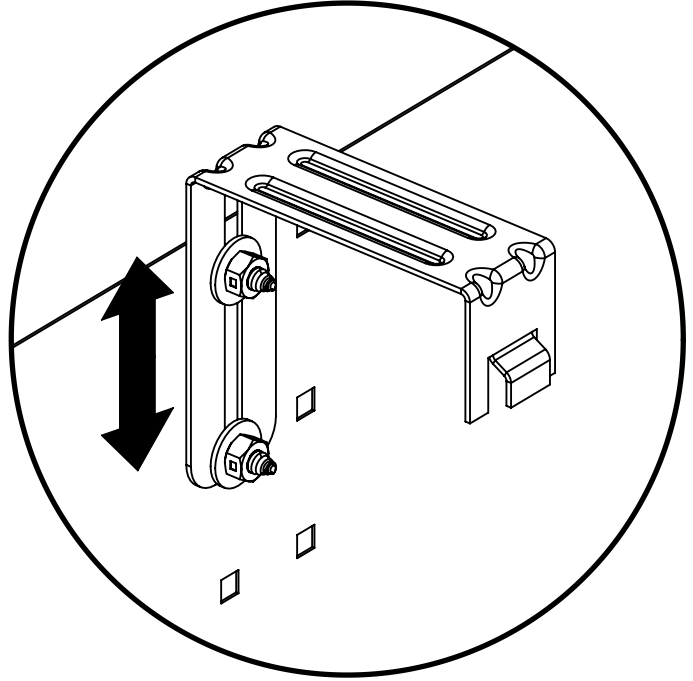
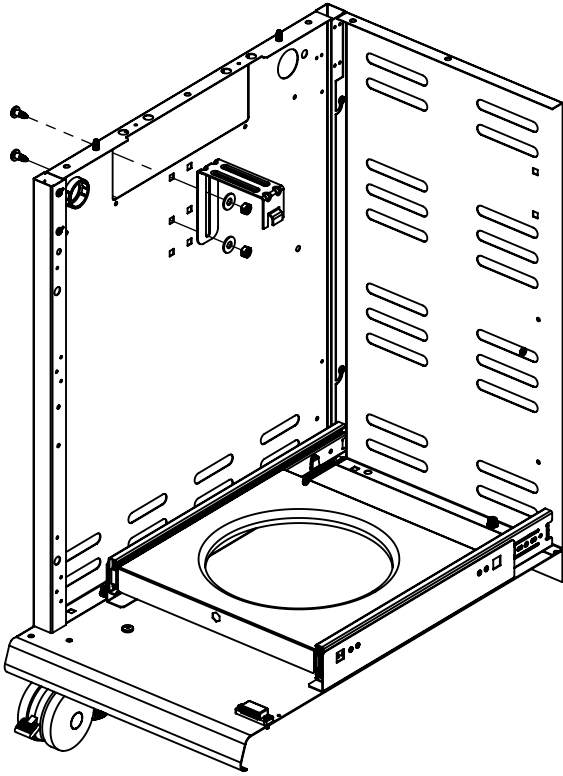
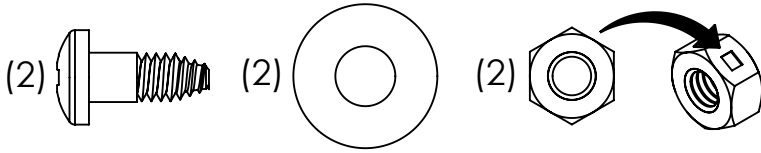


3

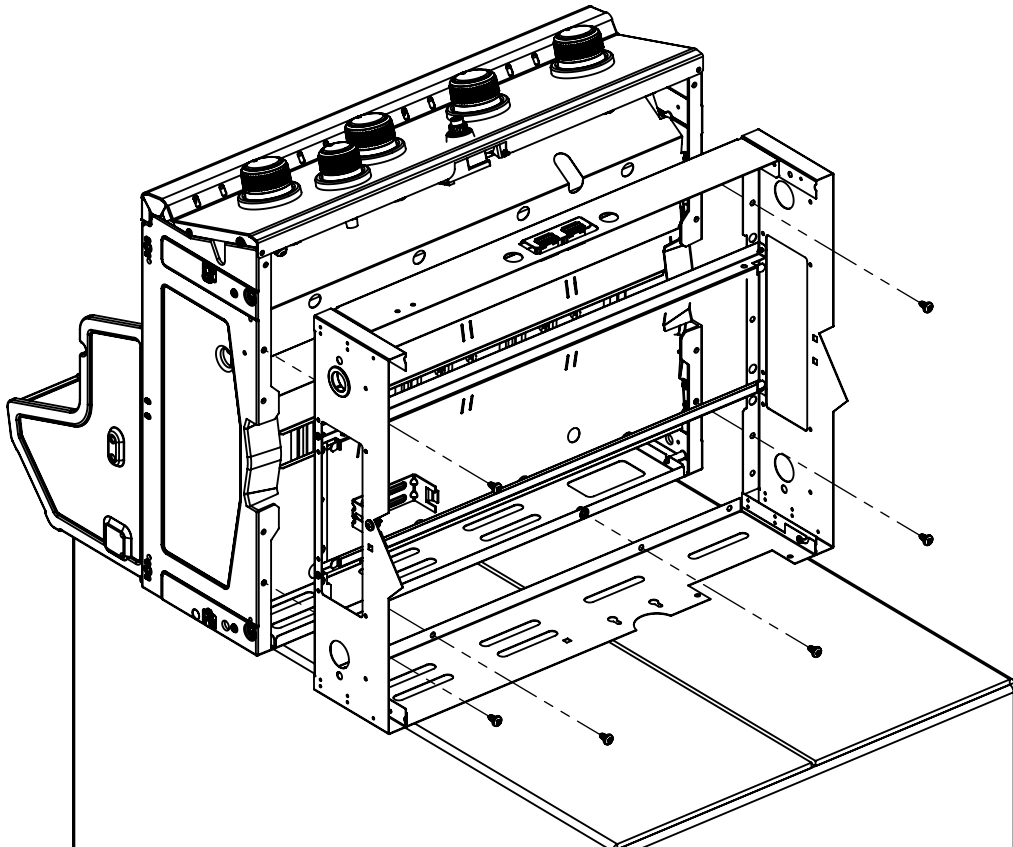
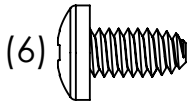
(4) 



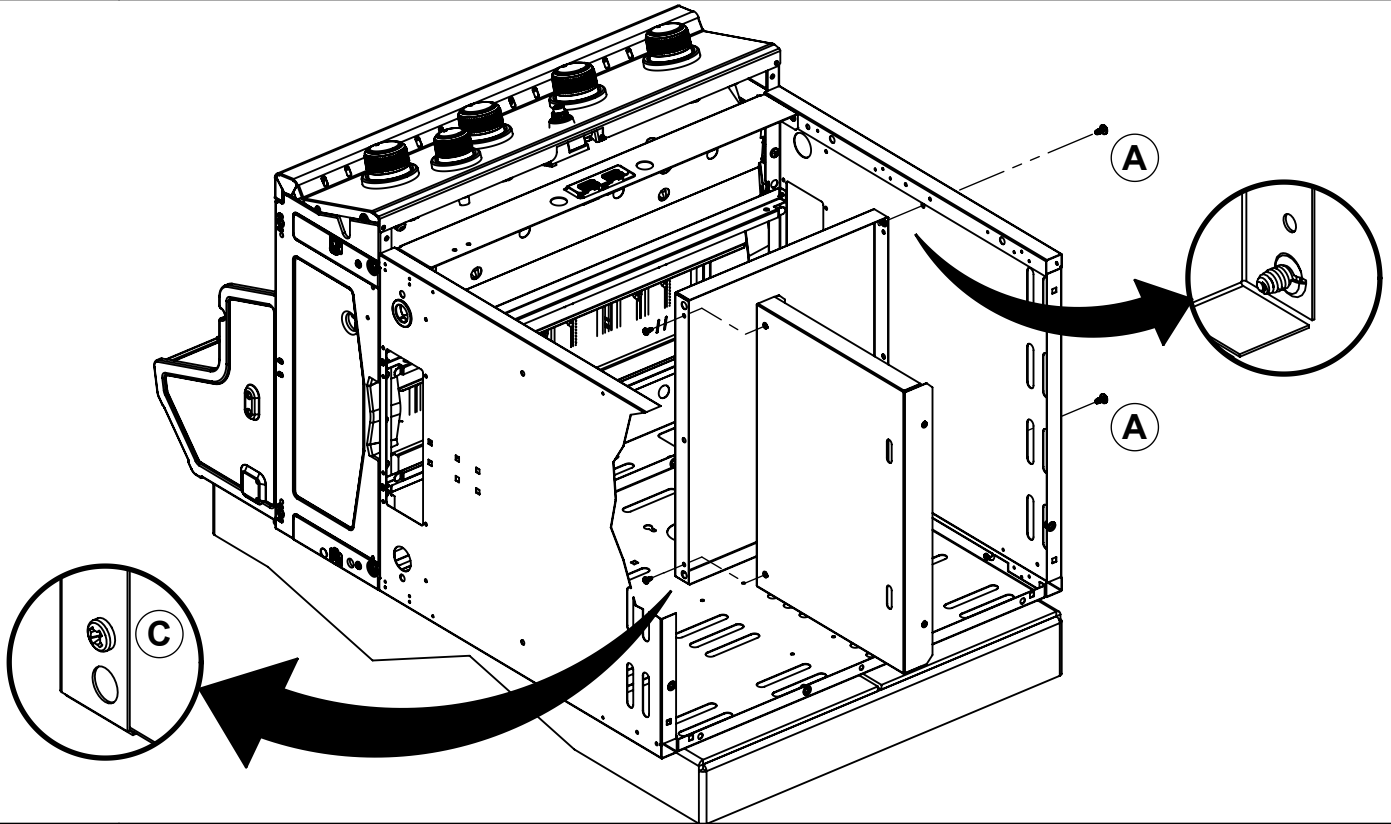
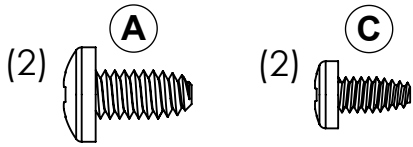
4



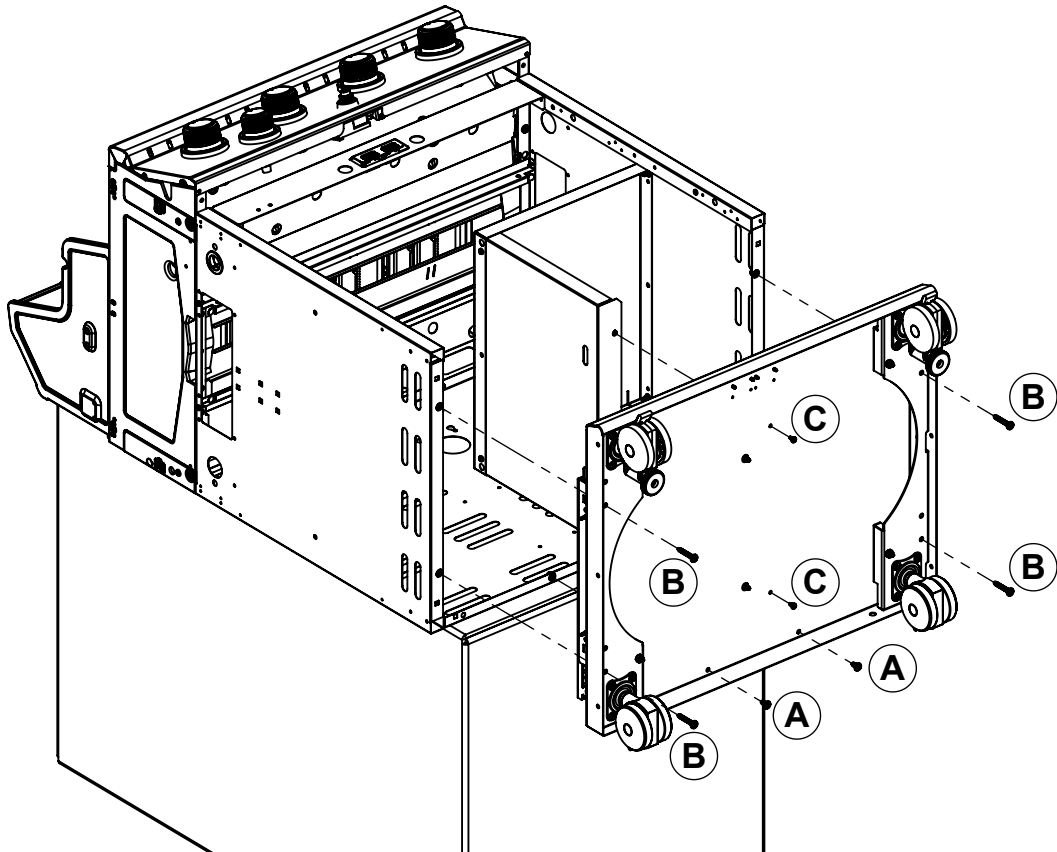
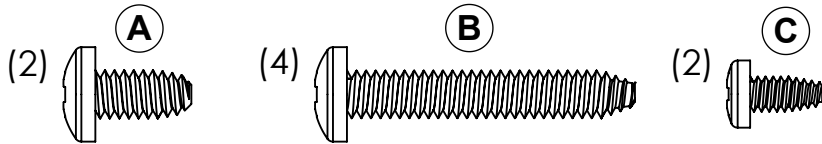
5



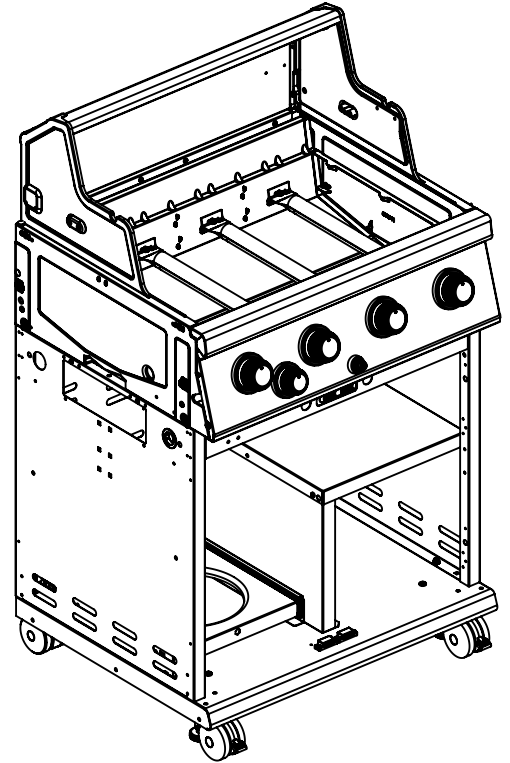
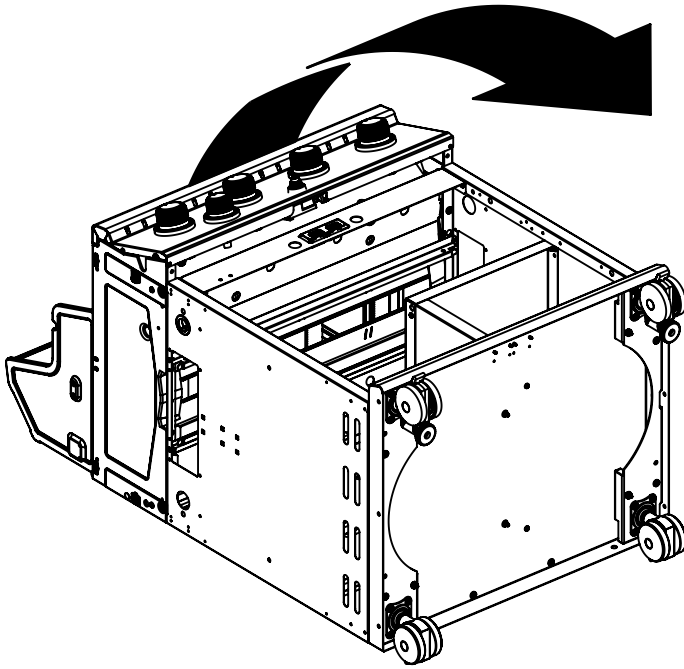
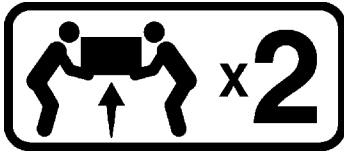
6



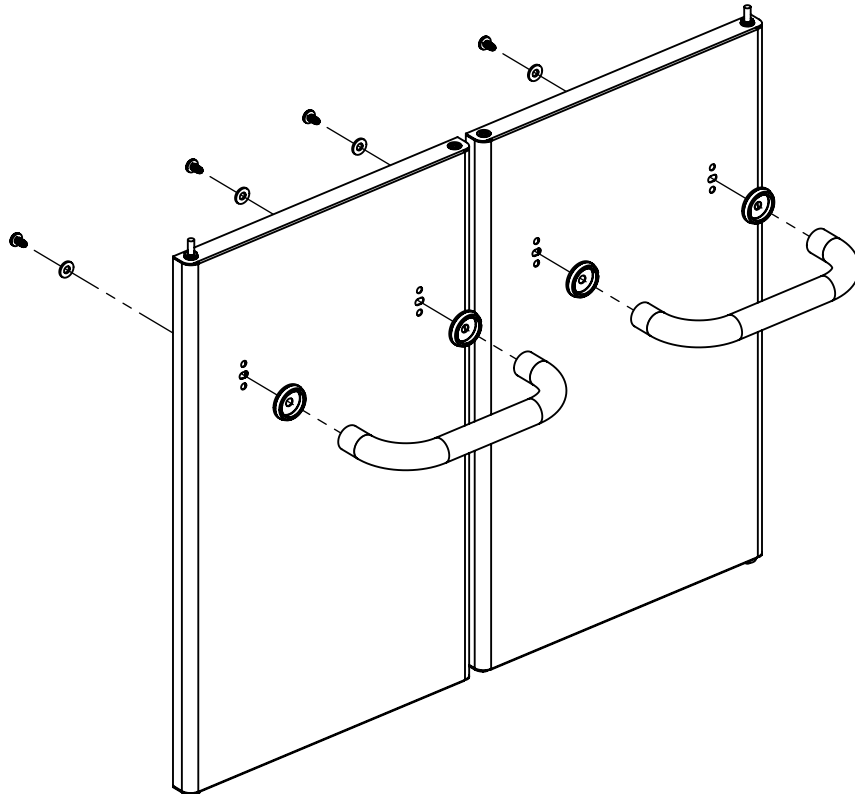
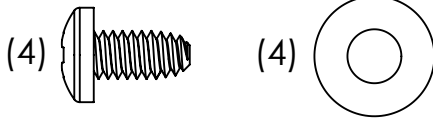
7



8

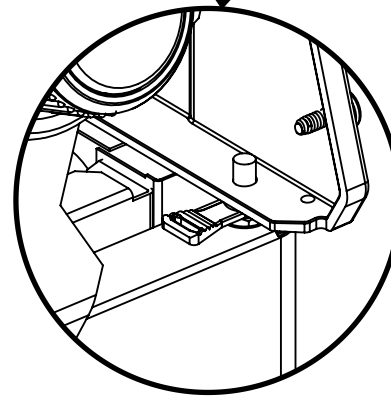
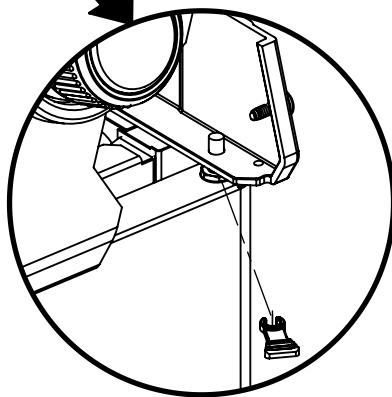
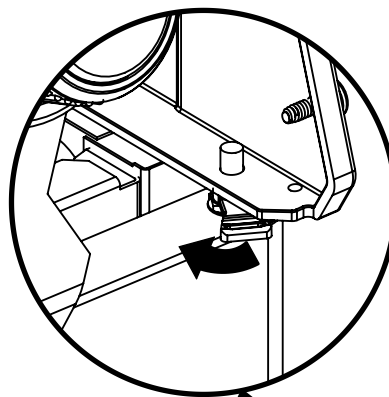
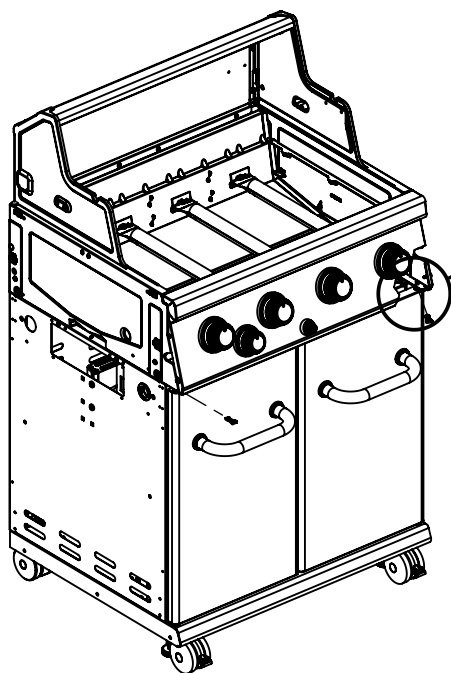
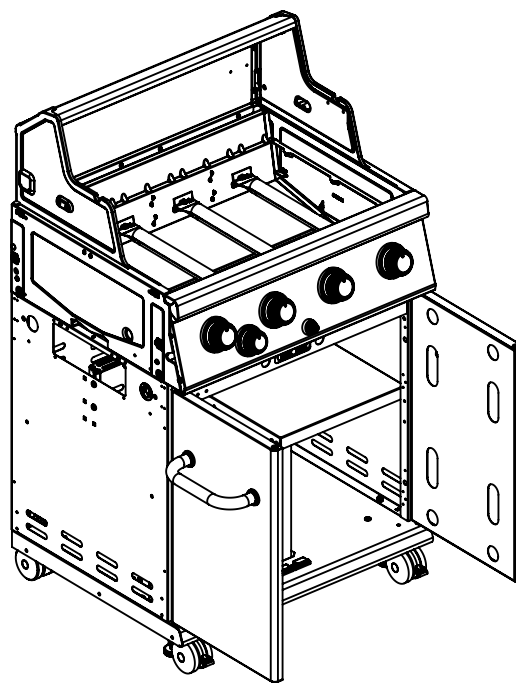
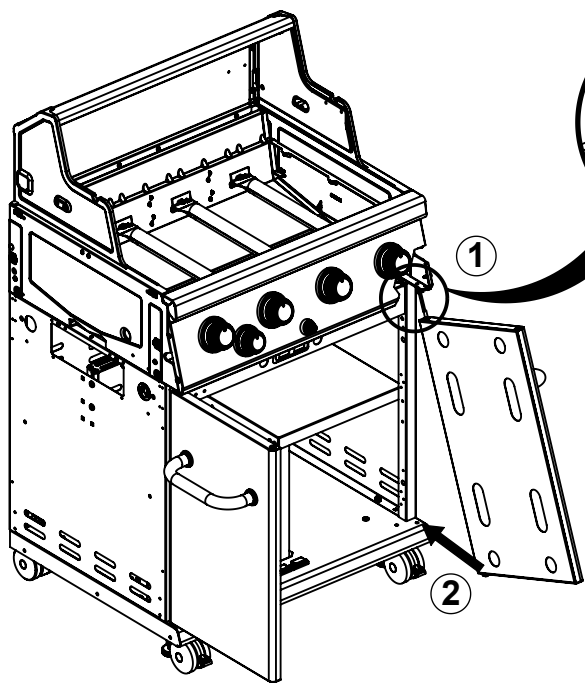
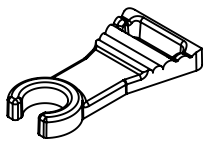


9




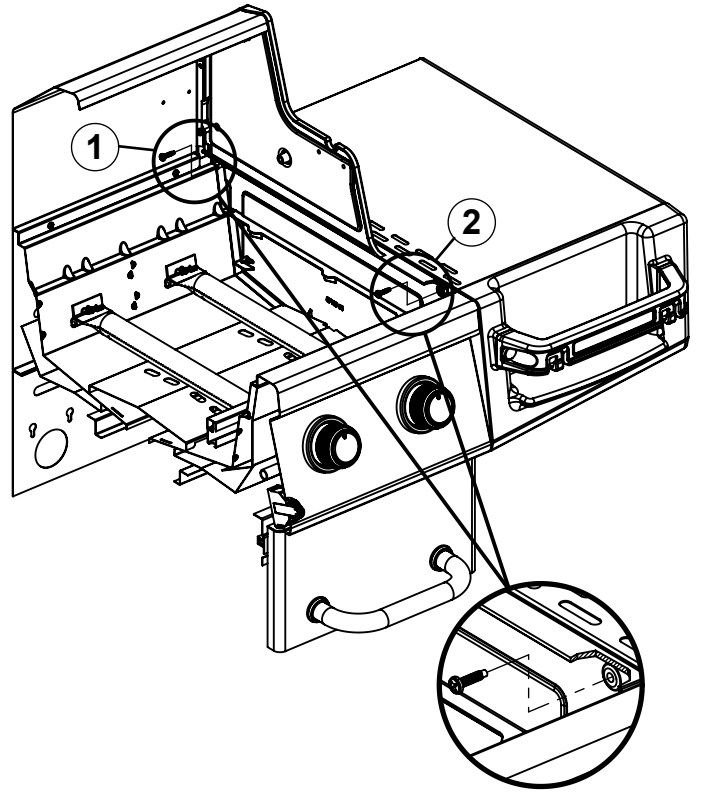
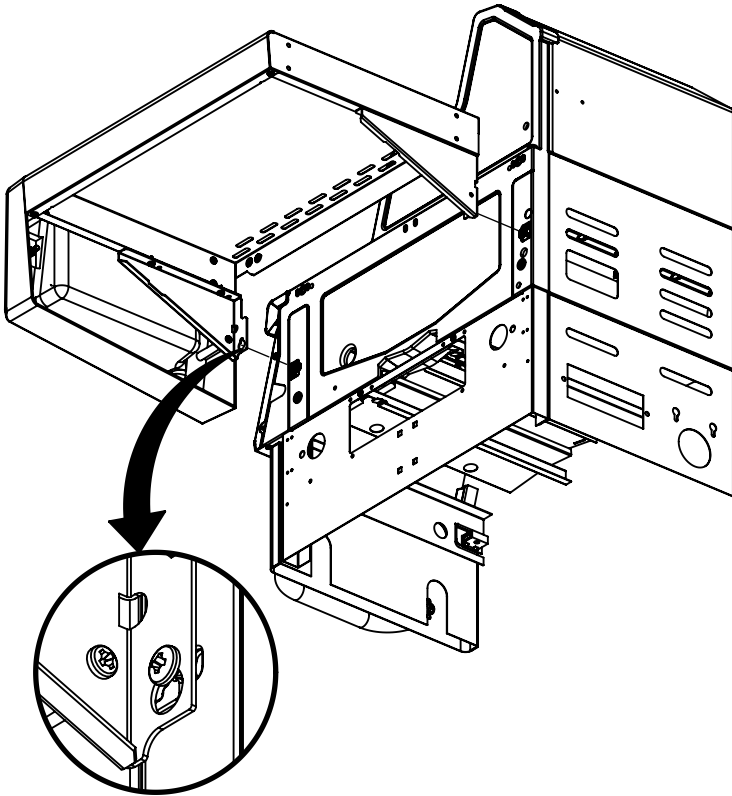
10

(2)




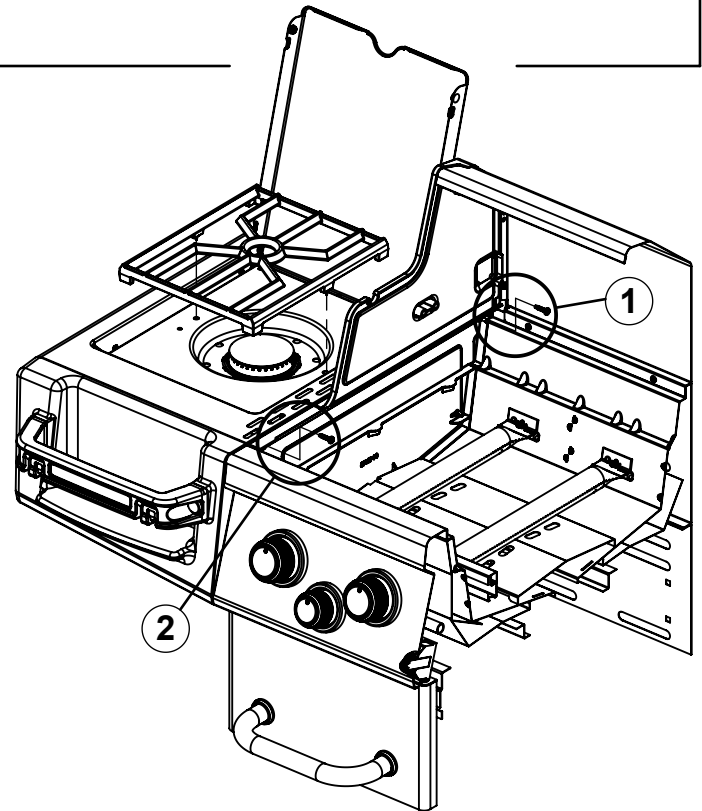
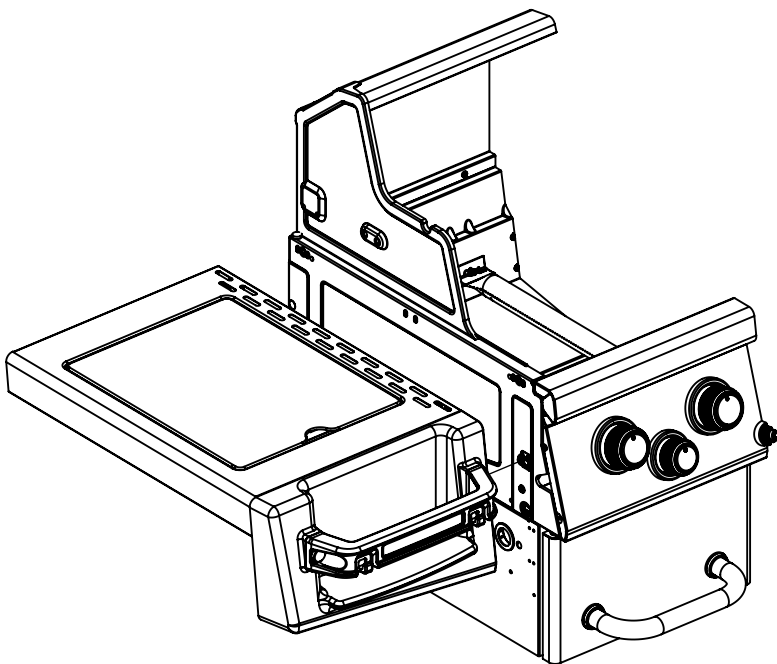
11

(2) 



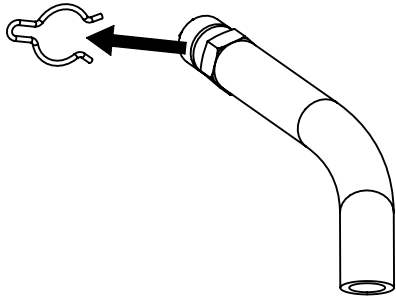
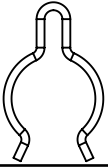
12

(2) 

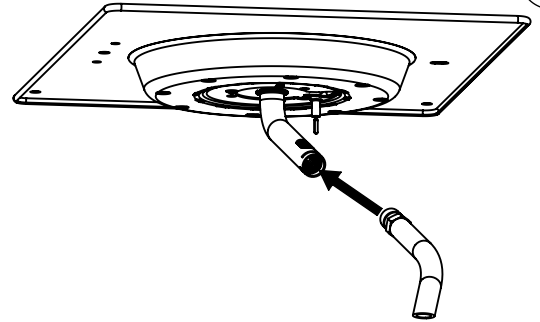


13

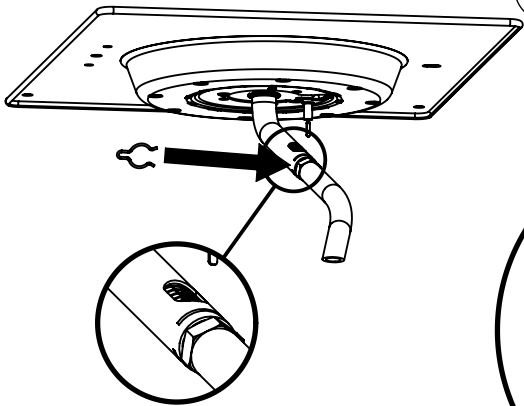
(1)



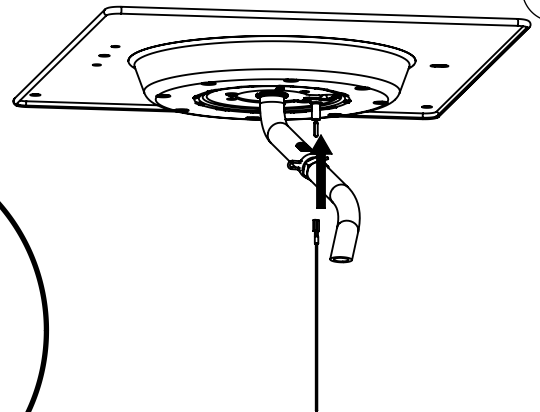
1



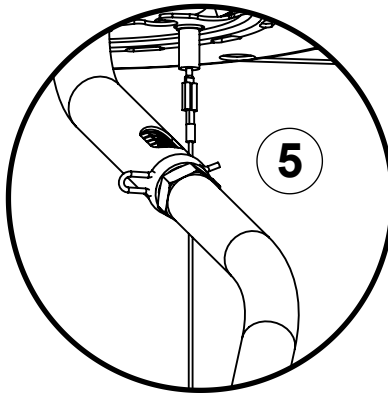
2



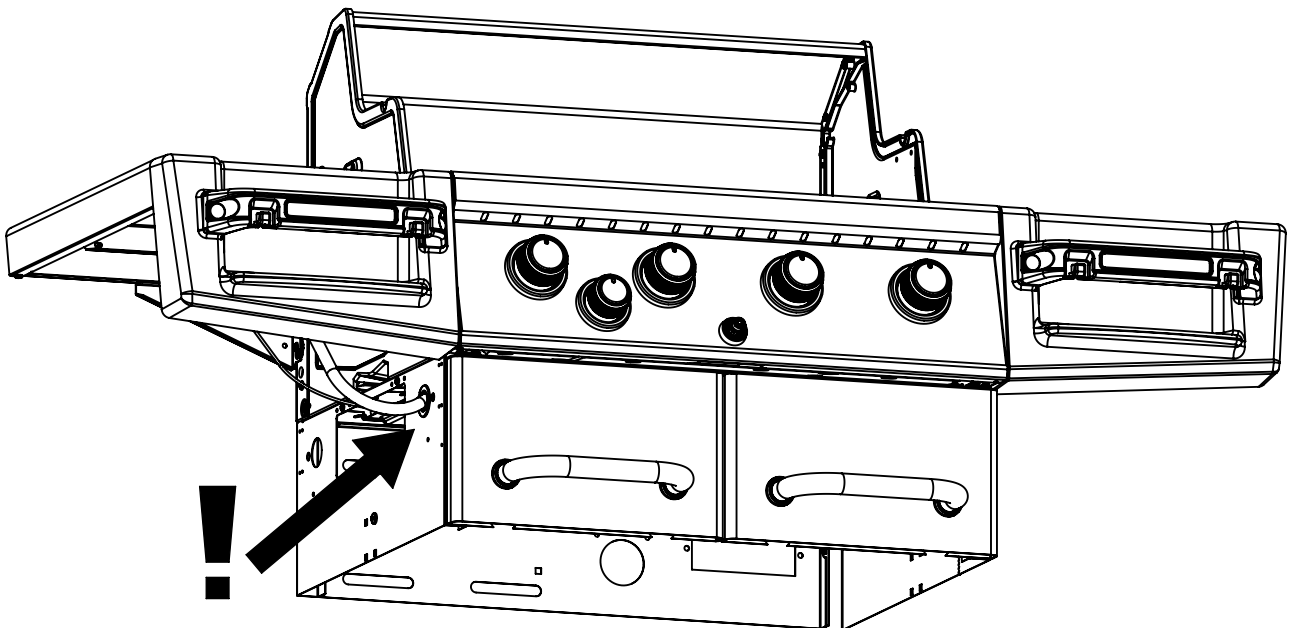
3

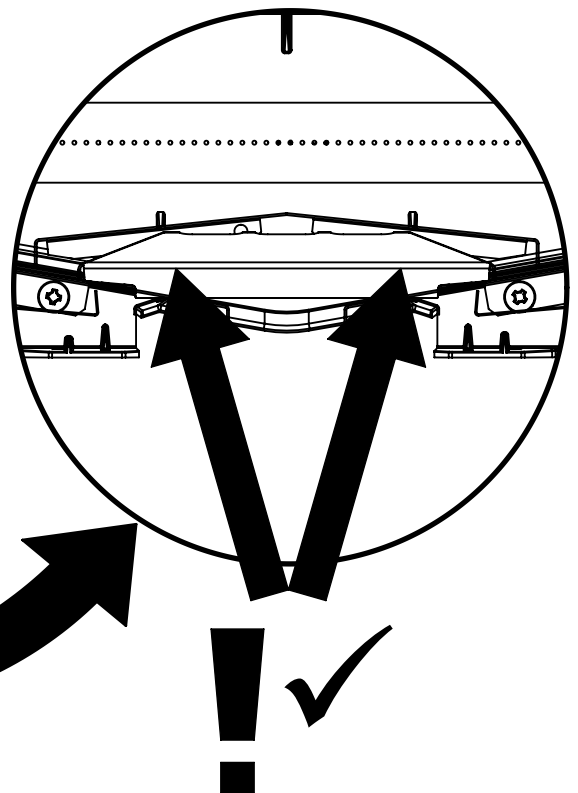
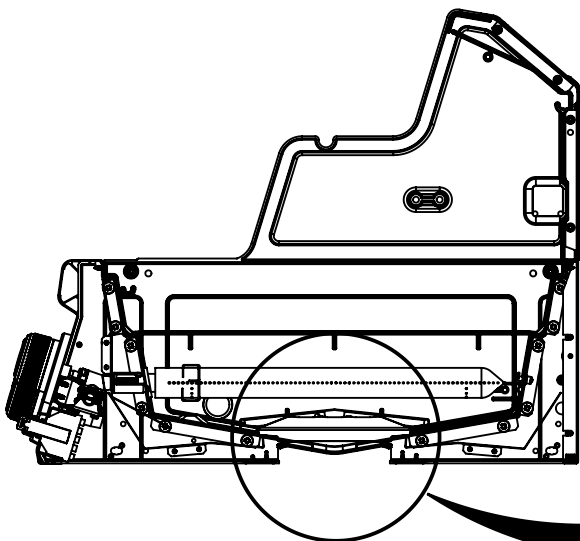
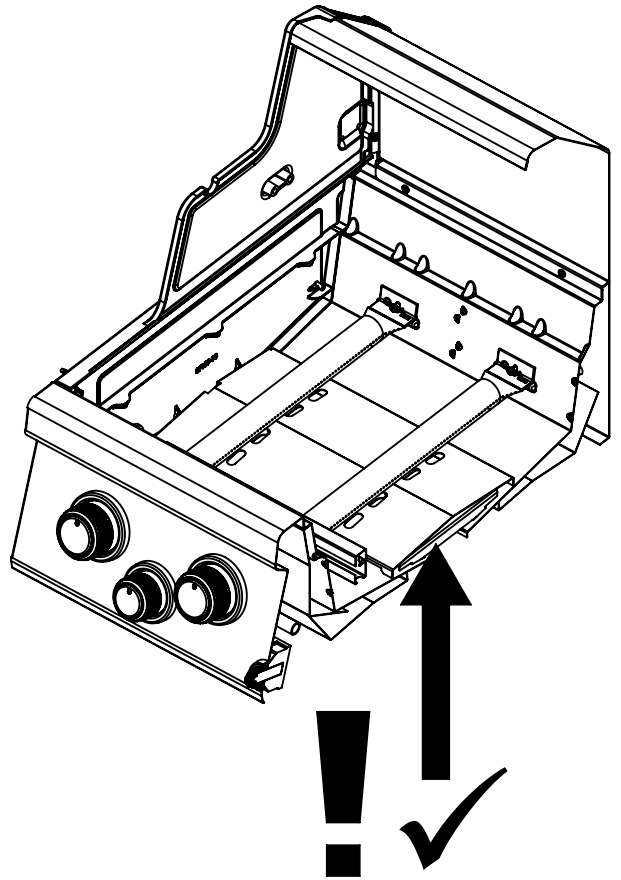
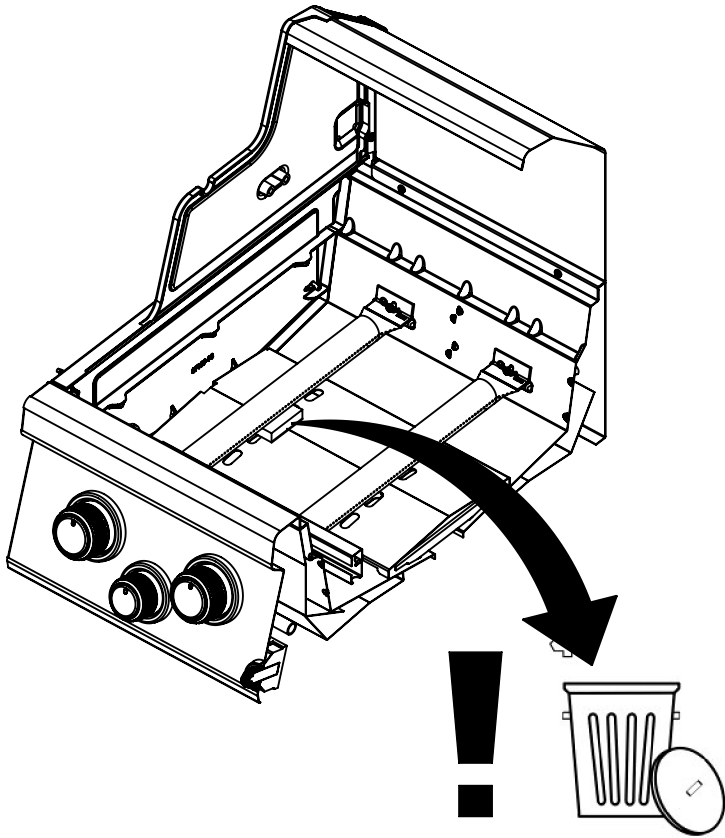


4

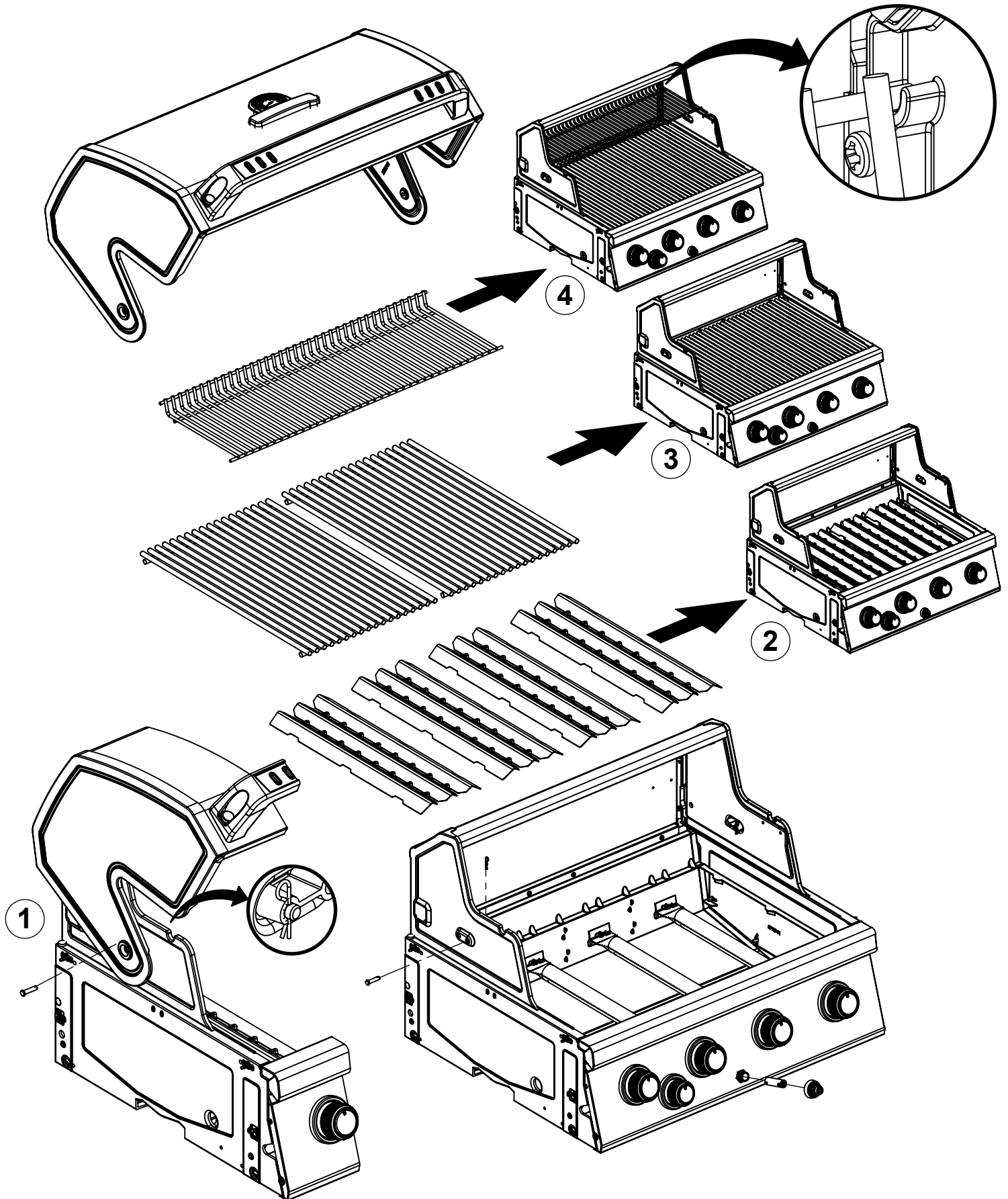
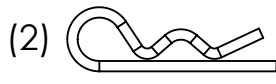
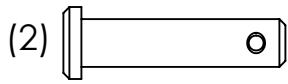


5

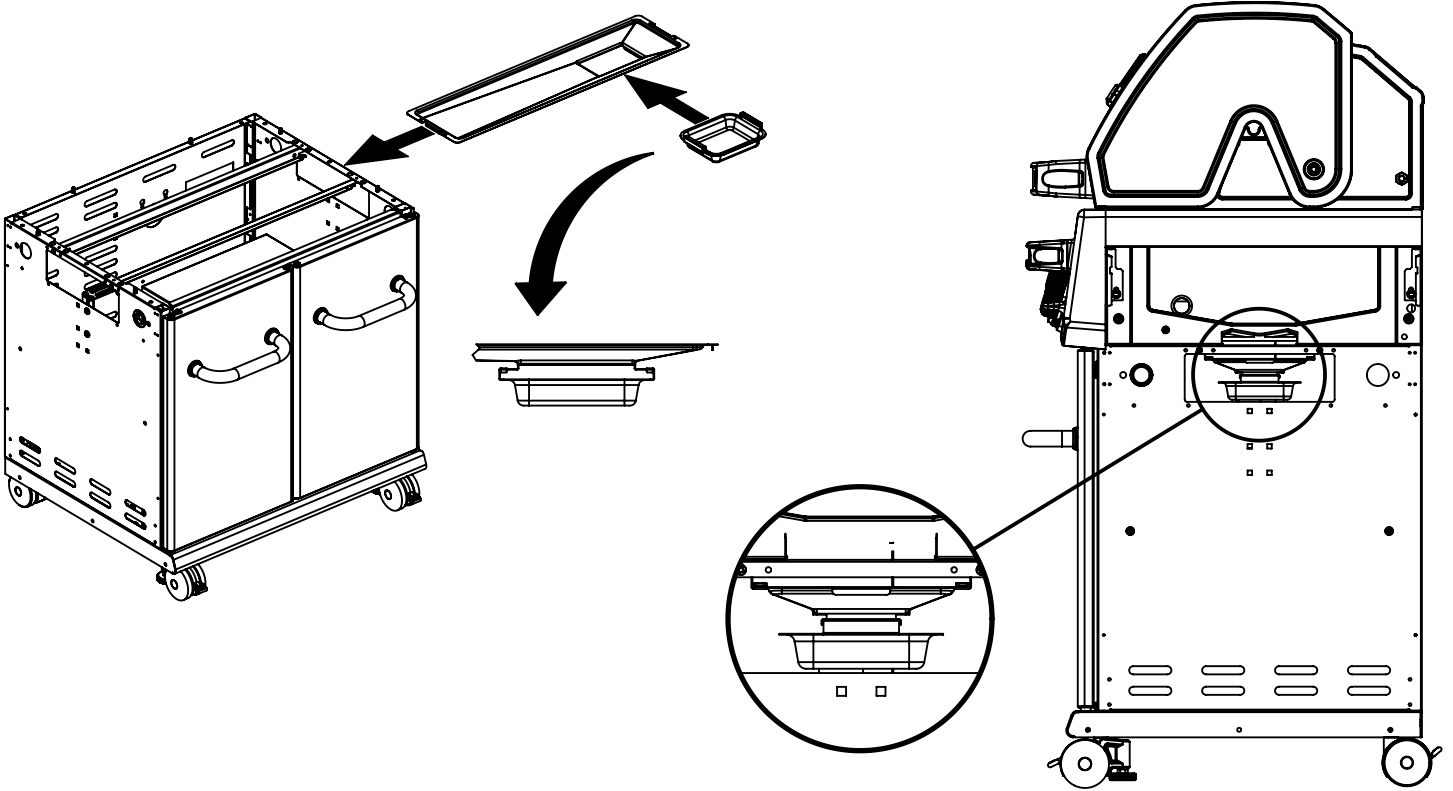




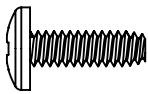
15

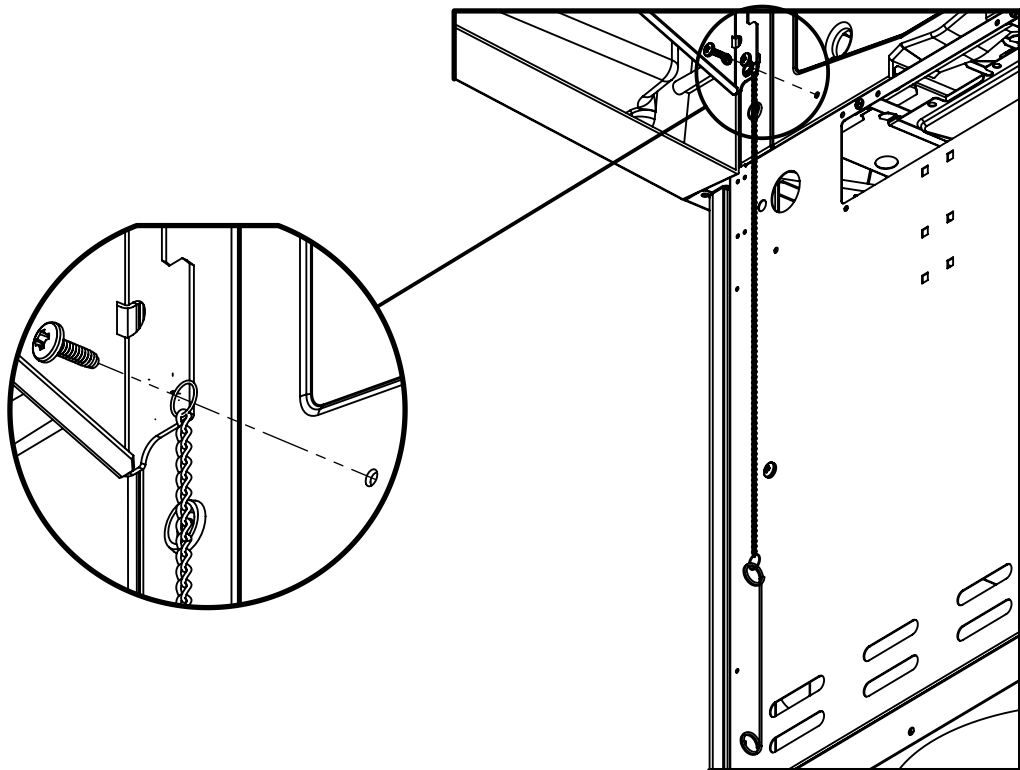


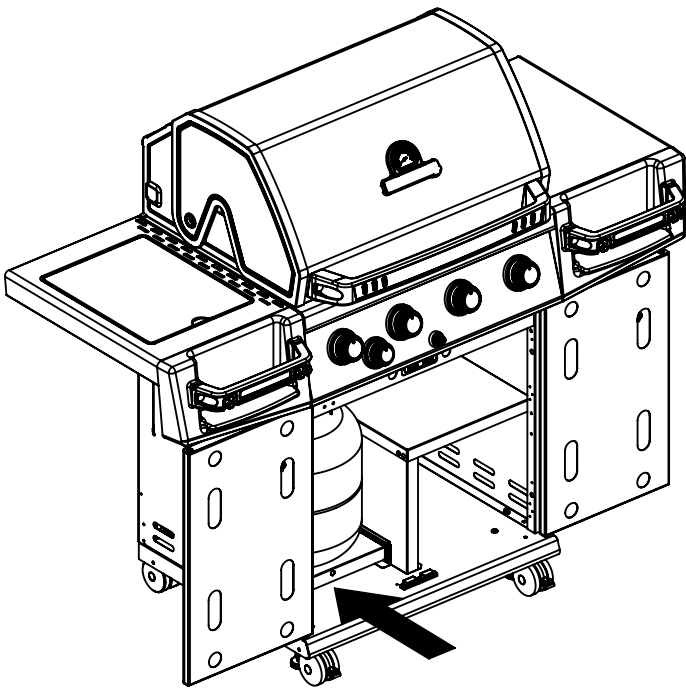
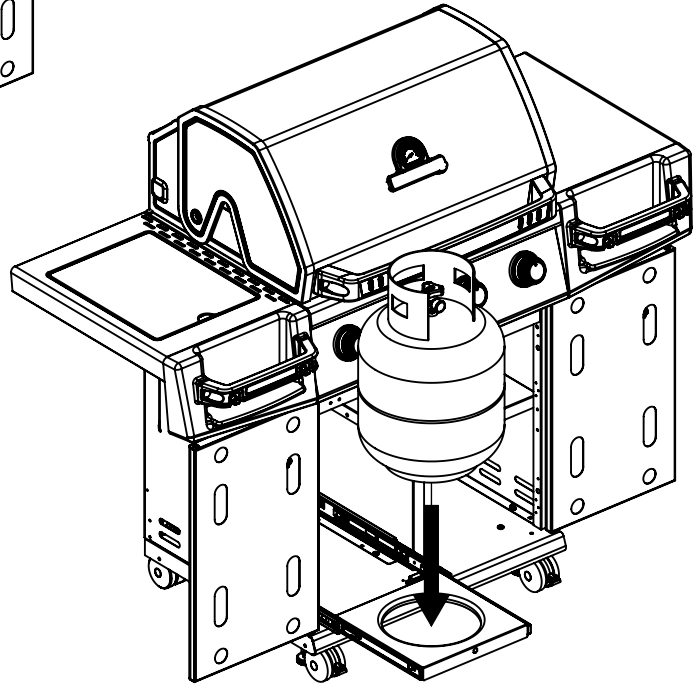
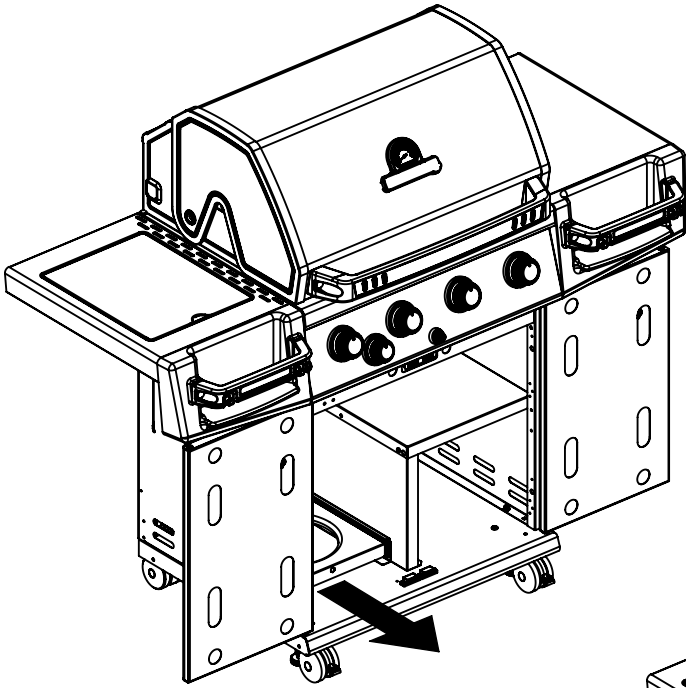
16

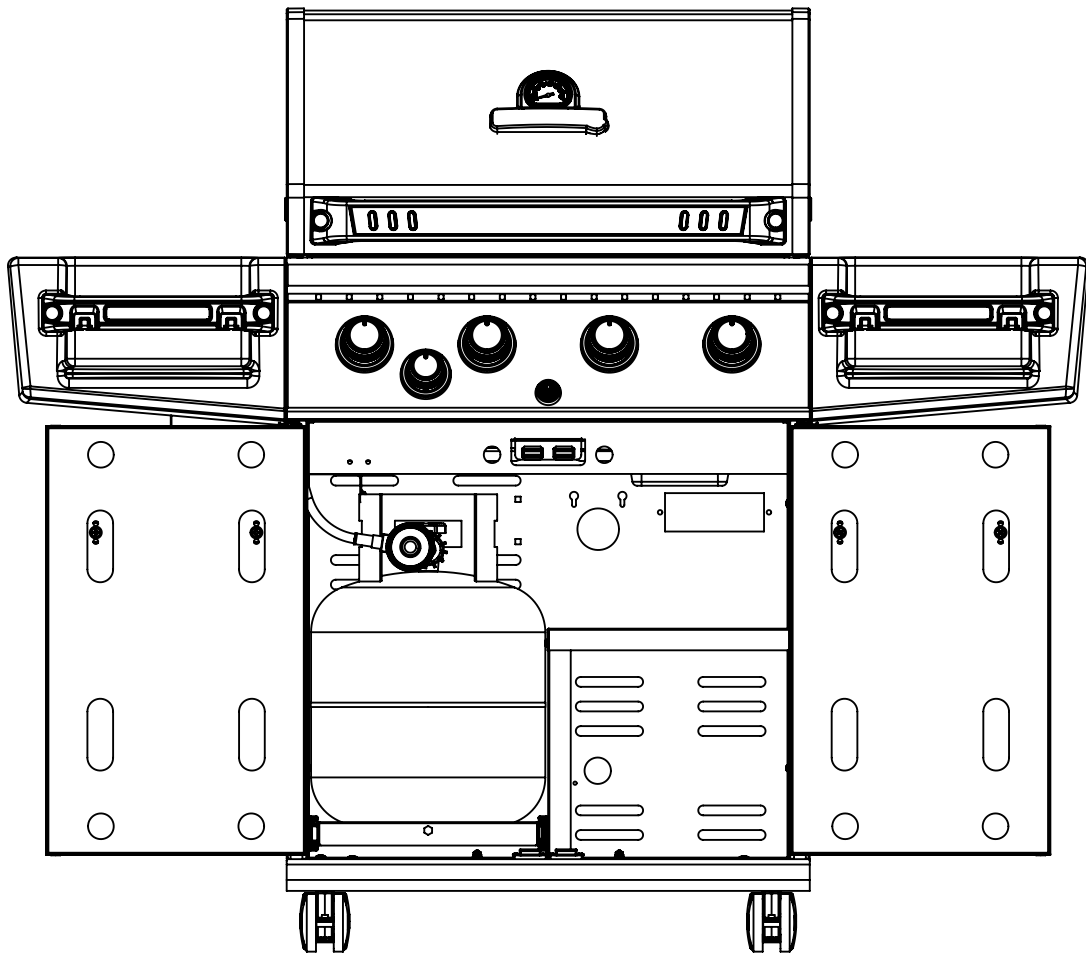
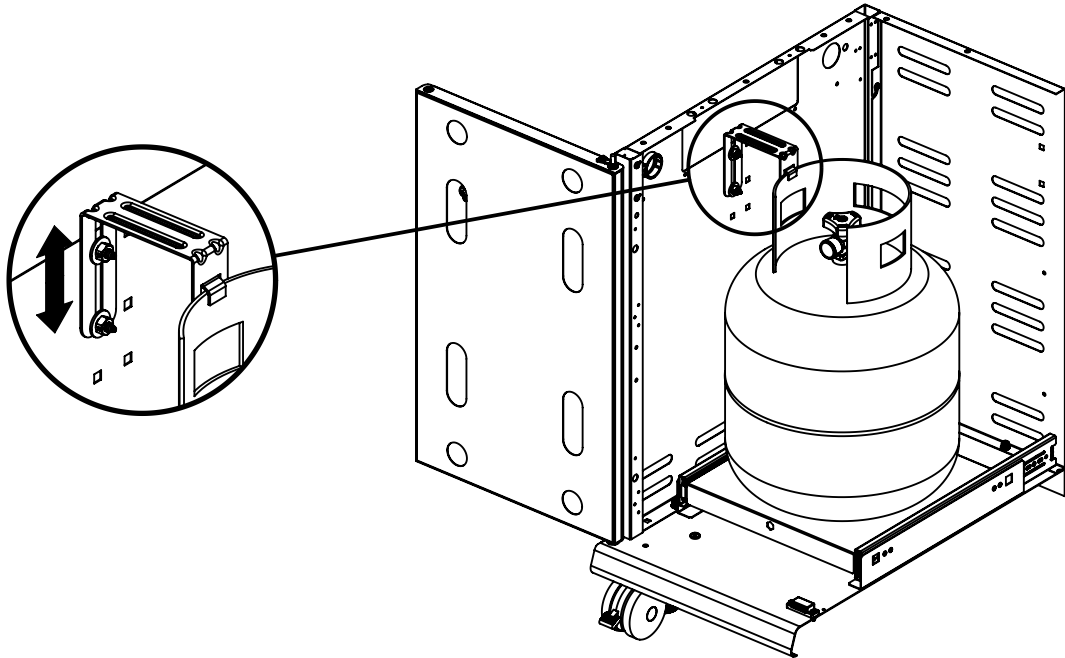


17

(1)  (1)







PARTS LIST / LISTE DES PIÈCES

| <u>KEY #</u> | <u>ITEM #</u> | <u>DESCRIPTION</u> | <u>DESCRIPTION</u> | <u>DESCRIPTION</u> | <u>6765-24</u> | <u>6765-27</u> |
|--------------|---------------|-----------------------------|-------------------------------|---------------------------------------|----------------|----------------|
| 1 | 87109-931 | PANEL - SIDE LEFT | PANNEAU - CÔTE GAUCHE | PANEL - LATERAL IZQUIERDO | 1 | 1 |
| 2 | 87109-911 | PANEL - SIDE RIGHT | PANNEAU - CÔTE DROITE | PANEL - LATERAL DERECHO | 1 | 1 |
| 3 | 27205-011 | PANEL - FRONT INNER | PANNEAU FRONTAL ARRIERE | PANEL - DELANTERO INTERNO | 1 | 1 |
| 4 | 27205-921R | PANEL - INNER REAR | PANNEAU INTERIEUR ARRIERE | PANEL - POSTERIOR INTERNO | 1 | 1 |
| 5 | 27245-904 | GREASE SHIELD | PROTECTION CONTRE LA GRAISSE | PROTECTOR CONTRA GRASA | 1 | 1 |
| 6 | 27005-91 | HEAT SHIELD | PROTECTION CONTRE LA CHALEUR | CUBIERTA CONTRA EL CALOR | 3 | 3 |
| 7 | Y-11544 | SCREW - BURNER | VIS - BRÛLEUR | TORNILLO - QUEMADOR | 4 | 4 |
| 10 | 82305-021R | PANEL - REAR COOKBOX | PANNEAU - RECIPIENT | PANEL - CAJA DE COCCIÓN POSTERIOR | 1 | 1 |
| 12 | 82315-021 | PANEL - HOOD | PANNEAU DE LA CUVE | PANEL - TAPA | 1 | 1 |
| 18 | 22022-284 | GRID | GRILLE | REJILLA | 2 | 2 |
| 20 | 22005-991 | GRID - WARMING RACK | GRILLE - MAINTIEN AU CHAUD | REJILLA - ESTANTE PARA CALENTAR | 1 | 1 |
| 22 | 22225-014 | COLLECTOR BOX - FRONT LOWER | RECIPIENT - FRONTAL INFERIEUR | CAJA RECOLECTORA - DELANTERA INFERIOR | 1 | 1 |
| 24 | 22215-014 | COLLECTOR BOX - FRONT UPPER | RECIPIENT - FRONTAL SUPERIEUR | CAJA RECOLECTORA - DELANTERA SUPERIOR | 1 | 1 |
| 25 | 22909-104LP | BURNER | BRÛLEUR | QUEMADOR | 1 | • |
| | 22909-104NG | BURNER | BRÛLEUR | QUEMADOR | • | 1 |
| 26 | 22001-768 | CONTROL KNOB | BOUTON DE CONTROLE | PERILLA DE CONTROL | 4 | 4 |
| 26A | 22001-668 | CONTROL KNOB | BOUTON DE CONTROLE | PERILLA DE CONTROL | 1 | 1 |
| 27 | 22002-268 | CONTROL BEZEL | MONTURE DE CONTROLE | PANEL DE CONTROL | 4 | 4 |
| 27A | 22001-168 | CONTROL BEZEL | MONTURE DE CONTROLE | PANEL DE CONTROL | 1 | 1 |
| 28 | 22005-434 | CONTROL COVER | PANNEAU DE CONTROLE | CUBIERTA DE CONTROL | 1 | 1 |
| 34 | S13470-091 | HOSE-SIDE BURNER LP | TUYAU DU BRULEUR LATERAL PL | MANGUERA - QUEMADOR LATERAL | 1 | • |
| | S13470-132 | HOSE-SIDE BURNER NG | TUYAU DU BRULEUR LATERAL GN | MANGUERA - QUEMADOR LATERAL | • | 1 |
| 34A | Y-11230 | COTTER PIN | ATTACHE DE CHEVILLE | CHAVETA | 1 | 1 |
| 35 | 29005-034 | CONTROL ASSEMBLY | SOUPAPE | MECANISMO DE CONTROL | 1 | • |
| | 29005-037 | CONTROL ASSEMBLY | SOUPAPE | MECANISMO DE CONTROL | • | 1 |
| 36 | 10342-T18 | ELECTRODE - SIDE BURNER | ELECTRODE - BRULEUR DE COTE | ELECTRODO - QUEMADOR LATERAL | 1 | 1 |
| 40 | 10114-20 | HOSE & REGULATOR | TUYAU ET REGULATEUR PL | MANGUERA Y REGULADOR | 1 | • |
| | 10111-K45 | HOSE NATURAL GAS | TUYAU (GAZ NATUREL) | MANGUERA DE GAS NATURAL | • | 1 |
| 43 | 10342-E12 | ELECTRODE | ELECTRODE | ELECTRODO | 2 | 2 |
| 44 | 10342-246 | ELECTRONIC IGNITOR | ALLUMAGE ÉLECTRONIQUE | ENCENDEDOR ELECTRÓNICO | 1 | 1 |
| 47 | 21035-991 | GREASE RAIL | GUIDE DU BAC A GRAISSE | RIEL DE GRASA | 2 | 2 |
| 48 | 22009-901 | GREASE PAN | CUVETTE A GRAISSE | BANDEJA PARA LA GRASA | 1 | 1 |
| 49 | 27055-901 | GREASE TRAY | PLATEAU A GRAISSE | BANDEJA RECOLECTORA DE GRASA | 1 | 1 |
| 51 | 22209-904 | FLAV-R-WAVE ® | FLAV-R-WAVE ® | FLAV-R-WAVE® | 4 | 4 |
| 52 | 26109-331 | LID END CAP - LEFT | PANNEAU LATERAL - GAUCHE | PANEL LATERAL - MEDIA LUNA IZQUIERDA | 1 | 1 |
| 53 | 26109-311 | LID END CAP - RIGHT | PANNEAU LATERAL - DROITE | PANEL LATERAL - MEDIA LUNA DERECHA | 1 | 1 |
| 54 | 26305-304 | LID - OUTER PANEL | COUVERCLE - PANNEAU EXTERIEUR | TAPA - PANEL EXTERIOR | 1 | 1 |
| 55 | 26205-90 | LID - INNER PANEL | COUVERCLE - PANNEAU INTERIEUR | TAPA - PANEL INTERIOR | 1 | 1 |
| 56 | 26005-34 | HANDLE | POIGNÉE | MANGO | 1 | 1 |
| 58 | 26005-30 | HANDLE STRAP | MONTURE | PANEL | 1 | 1 |
| 59 | 44089-60 | NAMEPLATE | PLAQUE D'IDENTIFICATION | PLACA CON NOMBRE | 1 | 1 |
| 60 | 10571-6 | HEAT INDICATOR | INDICATEUR DE CHALEUR | INDICADOR DE TEMPERATURA | 1 | 1 |
| 65 | 20005-000 | MATCH LIGHT - STICK | ALLUMETTES | CERILLA - VARILLA | 1 | 1 |
| 68 | 22275-114A | DOOR | PORTE | PUERTA | 1 | 1 |
| 69 | 22275-134A | DOOR | PORTE | PUERTA | 1 | 1 |
| 70 | 21475-138 | HANDLE | POIGNÉE | MANGO | 2 | 2 |
| 78 | 21335-111 | BRACKET - DOOR CATCH | PARENTHÈSE - CROCHET DE PORTE | SOPORTE - RETÉN DE PUERTA | 1 | 1 |
| 80 | 21109-905R | SIDE PANEL | PANNEAU LATERALE | PANEL LATERAL | 2 | 2 |
| 82 | 25208-201 | CABINET SHELF | L'ETAGERE DU CABINET | ESTANTE - GABINETE | 1 | 1 |
| 83 | 21036-901 | CABINET SHELF SUPPORT | SUPPORT POUR L'ETAGERE | SOPORTE PARA ESTANTE DE GABINETE | 1 | 1 |
| 84 | 21526-371 | BASE - TANK | TABLETTE INFERIEUR | BASE - TANQUE | 1 | • |
| 85 | 21526-391 | BRACKET - TANK BASE | SUPPORT DU RESERVOIR | SOPORTE - BASE DEL TANQUE | 1 | • |
| 86 | Y-99101 | SLIDE - TANK BASE | TIROIR TABLETTE DE BARBONE | PATÍN - BASE DEL TANQUE | 1 | • |
| 88 | 21305-925R | PANEL - REAR | PANNEAU - ARRIÈRE | PANEL - POSTERIOR | 1 | 1 |
| 90 | 21795-955R | BASE | TABLETTE INFERIEURE | BASE | 1 | 1 |

PARTS LIST / LISTE DES PIECES

| <u>KEY #</u> | <u>ITEM #</u> | <u>DESCRIPTION</u> | <u>DESCRIPTION</u> | <u>DESCRIPTION</u> | <u>6765-24</u> | <u>6765-27</u> |
|--------------|---------------|--------------------------|----------------------------|-----------------------------------|----------------|----------------|
| 100 | 21039-911 | BRACKET – CASTOR SUPPORT | SUPPORT DE ROULLETTE | SOPORTE - PARA RUEDITA | 2 | 2 |
| 102 | 10892-23 | CASTOR | ROULETTES | RUEDITA | 2 | 2 |
| 102A | 10892-285 | CASTOR | ROULETTES | RUEDITA | 2 | 2 |
| 103 | 21009-951 | TANK BRACKET | SUPPORT DU RESERVOIR | SOPORTE - TANQUE LP | 1 | • |
| 110 | 23030-631 | SHELF BRACKET | CROCHETS PLATEAU | SOPORTE PARA ESTANTE | 2 | 2 |
| 111 | 23030-611 | SHELF BRACKET | CROCHETS PLATEAU | SOPORTE PARA ESTANTE | 2 | 2 |
| 114 | 23101-614 | SHELF | PLANCHETTE LATERALE | ESTANTE | 1 | 1 |
| 115 | 23100-654 | SHELF | PLANCHETTE LATERALE | ESTANTE | 1 | 1 |
| 116 | 23401-631 | SHELF FRONT | PLANCHETTE FRONTALE | ESTANTE FRONTAL | 1 | 1 |
| 116A | 23401-611 | SHELF FRONT | PLANCHETTE FRONTALE | ESTANTE FRONTAL | 1 | 1 |
| 117 | 23009-608 | HANDLE | POIGNEE | CORREA PARA ESTANTE | 2 | 2 |
| 124 | 23000-271 | SIDE BURNER BODY | SUPPORT DE BRULEUR DE COTE | ESTANTE - QUEMADOR LATERAL | 1 | 1 |
| 125 | 23000-254 | SIDE BURNER COVER | COUVERCLE LATÉRAL | CUBIERTA - QUEMADOR LATERAL | 1 | 1 |
| 126 | 10390-R81A | SIDE BURNER | BRULEUR DE COTE | QUEMADOR LATERAL | 1 | 1 |
| 128 | 23009-98 | GRID | GRILLE | REJILLA | 1 | 1 |
| 140 | S21125 | SCREW #8 X 1/2 | VIS #8 X 1/2 | TORNILLO #8 X 1/2 | 22 | 22 |
| 143 | Y-12855 | BOLT 1/4-20 X 3/8 | BOULON 1/4-20 X 3/8 | PERNO - 1/4-20 X 3/8 | 38 | 38 |
| 144 | Y-12220 | BUSHING | DOUILLE | COJINETE | 1 | 1 |
| 145 | S21235 | HINGE PIN | GOUPILLE DE CHARNIÈRE | CLAVIJA DE BISAGRA | 2 | 2 |
| 146 | S21233 | HITCH PIN CLIP | ATTACHE DE CHEVILLE | GANCHO PARA EL REMOLQUE | 6 | 6 |
| 147 | Y-11231 | LID BUMPER | BUTOIR DU COUVERCLE | TOPE DE LA TAPA | 4 | 4 |
| 148 | 10240-20 | DOOR PIN | GOUPILLE DE LA PORTE | CLAVIJA DE LA PUERTA | 2 | 2 |
| 149 | 10240-19 | DOOR PIN | GOUPILLE DE LA PORTE | CLAVIJA DE LA PUERTA | 2 | 2 |
| 150 | Y-12124 | DOOR PIN CAP | CAP PORTE PIN | TAPA DE CLAVIJA DE LA PUERTA | 2 | 2 |
| 151 | Y-12857 | WASHER | RONDELLE | ARANDELA | 4 | 4 |
| 152 | Y-12222 | MAGNET | AIMANT | IMÁN | 2 | 2 |
| 153 | Y-12223 | SNAP IN MAGNET | AIMANT | IMÁN DE AJUSTE | 2 | 2 |
| 154 | Y-11560 | SCREW 1/4-20 X 1-1/2 | VIS 1/4-20 X 1-1/2 | TORNILLO 1/4-20 X 1-1/2 | 8 | 8 |
| 155 | S21124 | SCREW #8 X 1/2 | VIS #8 X 1/2 | TORNILLO #8 X 1/2 | 28 | 22 |
| 156 | Y-11793 | NUT 1/4-20 | ECROU 1/4-20 | TUERCA 1/4-20 | 10 | 10 |
| 157 | Y-12871 | SCREW #6-32 X 1/4 | VIS #6-32 X 1/5 | TORNILLO #6-32 X 1/4 | 2 | 2 |
| 158 | Y-12646 | SCREW SHOULDER #8 X 1/2 | VIS SHOULDER #8 X 1/3 | TORNILLO - DE HOMBRO #8 X 1/2 | 2 | 2 |
| 160 | Y-29304 | BOLT #10-24 X 3/8 | BOULON #10-24 X 3/8 | PERNO #10-24 X 3/8 | 39 | 39 |
| 161 | Y-29310 | SCREW #10-24 X 3/4 | VIS #10-24 X 3/4 | TORNILLO #10-24 X 3/4 | 4 | 4 |
| 163 | S35094 | SCREW #10-24 X 5/8 | VIS #10-24 X 5/8 | TORNILLO #10-24 X 5/8 | 7 | 7 |
| 165 | Y-12127 | DOOR CLIP | TROMBONE DE PORTE | GANCHO DE PUERTA | 2 | 2 |
| 167 | Y-11987 | BOLT 1/4-20 X 1 | BOULON 1/4-20 X 1 | PERNO 1/4-20 X 1 | 6 | 6 |
| 174 | S21255 | WASHER | RONDELLE | ARANDELA | 2 | • |
| 175 | Y-11546 | BOLT - 1/4:20 X 5/8 | BOULON - 1/4:20 X 5/8 | TORNILLO - DE HOMBRO 1/4-20 X 5/8 | 2 | • |
| 176 | Y-11795 | NUT 1/4-20 | ECROU 1/4-20 | TUERCA 1/4-20 | 2 | • |
| 186 | Y-12865 | SCREW 1/4-20 X 3/4 | VIS 1/4-20 X 3/4 | TORNILLO 1/4-20 X 3/4 | 34 | 30 |

