

This Owner's Manual is provided and hosted by [Appliance Factory Parts](#).



# HUNTINGTON 6822-63 Owner's Manual

[Shop genuine replacement parts for HUNTINGTON  
6822-63](#)



[Find Your HUNTINGTON Grill Parts - Select From 154 Models](#)

----- Manual continues below part list -----

## Available Replacement Parts for HUNTINGTON 6822-63

<a href="#">14625</a>	warming rack universal, 15 x 6.5
<a href="#">18013</a>	LID HEAT INDICATOR - LARGE - SS
<a href="#">S21233</a>	HITCH PIN CLIP +
<a href="#">Y-12860</a>	SCREW-THCP 1/4-20 X 1-TY-C A04
<a href="#">Y-11793</a>	NUT HEX 1/4 20 JS500 +
<a href="#">Y-12835</a>	SCREW-PHCP 6-32X1/4 TY-F JS500
<a href="#">Y-29307</a>	NUT HEX #10-24 JS500
<a href="#">10240-13</a>	WHEEL PIN
<a href="#">Y-11230</a>	HAIRPIN COTTER SIDE BURNER +
<a href="#">Y-11546</a>	SCREW PHCP 1/4-20X5/8 INCH A04#A
<a href="#">S21124</a>	SCREW PHCP #8 X 12 +
<a href="#">Y-29304</a>	SCREW PHCP #10 24x3/8
<a href="#">S21125</a>	SCREW 8 X 3/8 PAN HEAD
<a href="#">S35094</a>	SCREW #10-24 X 5/8
<a href="#">10342-246</a>	IGNITOR ELECTRONIC TRIPLE +
<a href="#">Y-11231</a>	LID BUMPER ROUND BLK
<a href="#">10342-E13</a>	ELECTRODE W/WIRE
<a href="#">10342-T18</a>	WIRE ELECTRODE S/B 600 +
<a href="#">27055-901</a>	GREASE TRAY PORC FORMED 440 +
<a href="#">52315-151</a>	FIREBOX 440 HOOD PANEL PORC
<a href="#">52007-181</a>	COOKING GRID 550 PORC BLK +
<a href="#">10240-23</a>	LID PIN 1/4-20
<a href="#">Y-29310</a>	SCREW #10-24 3/4 TRUSS QU
<a href="#">20005-000</a>	HARDWARE BAG STICK & CHAIN SS
<a href="#">44089-60</a>	NAMEPLATE PATRIOT
<a href="#">52015-903</a>	COLLECTOR BOX ASSEMBLY 440
<a href="#">10342-245</a>	IGNITOR ELECTRONIC DUAL +
<a href="#">10892-608</a>	WHEEL 6 INCH
<a href="#">22049-102</a>	GREASE TRAY BRACKET GAL 330/440/550
<a href="#">51429-158</a>	RESIN FOOT 330/440

<a href="#">53184-118</a>	SHELF END CAP RHS 330/440
<a href="#">53184-138</a>	SHELF END CAP LHS 330/440
<a href="#">53404-114</a>	SHELF FRONT FACIA RHS 330/440
<a href="#">53009-951</a>	SIDE BURNER TRIVET BLK
<a href="#">Y-11235</a>	LID BUMPER HEX-BLK AB
<a href="#">Y-12865</a>	SCREW 1/4 X 20X1/2 TYPE-C PHCP
<a href="#">52249-404</a>	HEAT TENT SS
<a href="#">53104-111</a>	SHELF RHS BLK 330/440
<a href="#">S21242</a>	CLIP BURNER TUBE MOUNT SS
<a href="#">52445-92</a>	HEAT SHIELD C440
<a href="#">Y-11544S</a>	SCREW - BURNER #10-24 X 3/8
<a href="#">24009-936</a>	HANDLE RING
<a href="#">10472-K431</a>	CONTRL KNOB RESIN LRG BLCK W/SS BA STRIP
<a href="#">22001-168</a>	CONTROL KNOB BEZEL SML
<a href="#">22002-268</a>	CONTROL KNOB BEZEL LARGE
<a href="#">24005-12AB</a>	LID-HANDLE BENT,
<a href="#">52009-901</a>	GREASE PAN - BLACK HIGH HEAT PAINT
<a href="#">27249-904</a>	GREASE SHIELD MODULAR, 6.5 x 6

# HUNTINGTON™

---

---



HUNTINGTON  
6822-53



HUNTINGTON  
6822-63

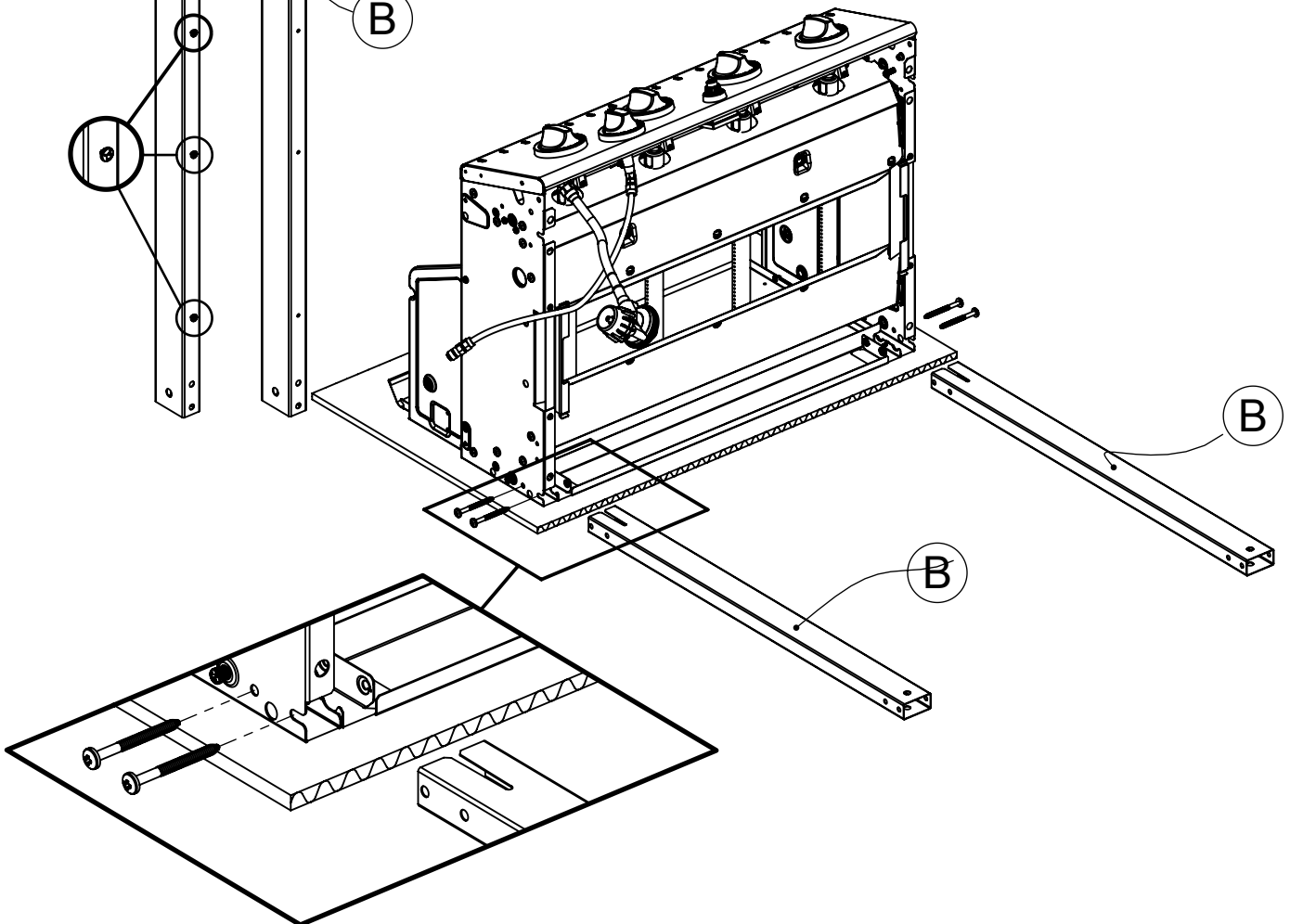
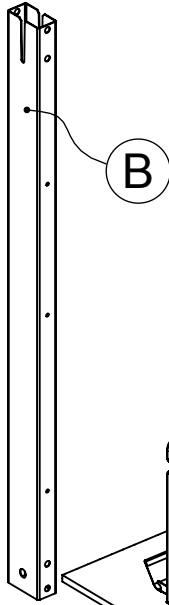
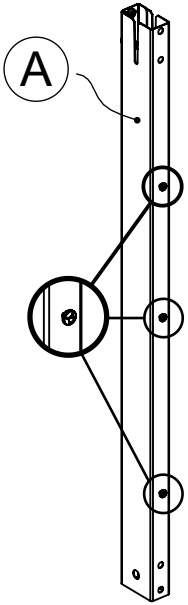
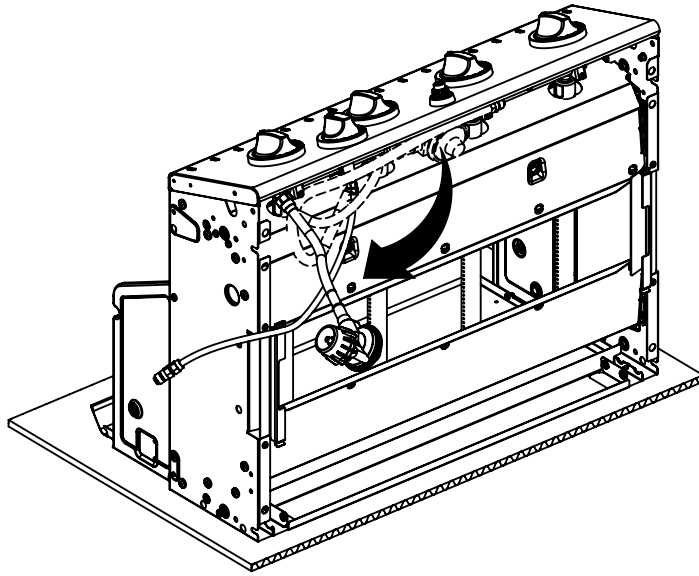
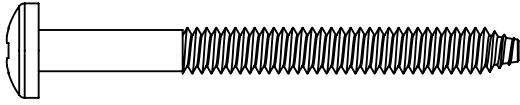


SINCE 1906  
**MANUFACTURING COMPANY**  
1000 EAST MARKET STREET  
HUNTINGTON, INDIANA, 46750, USA

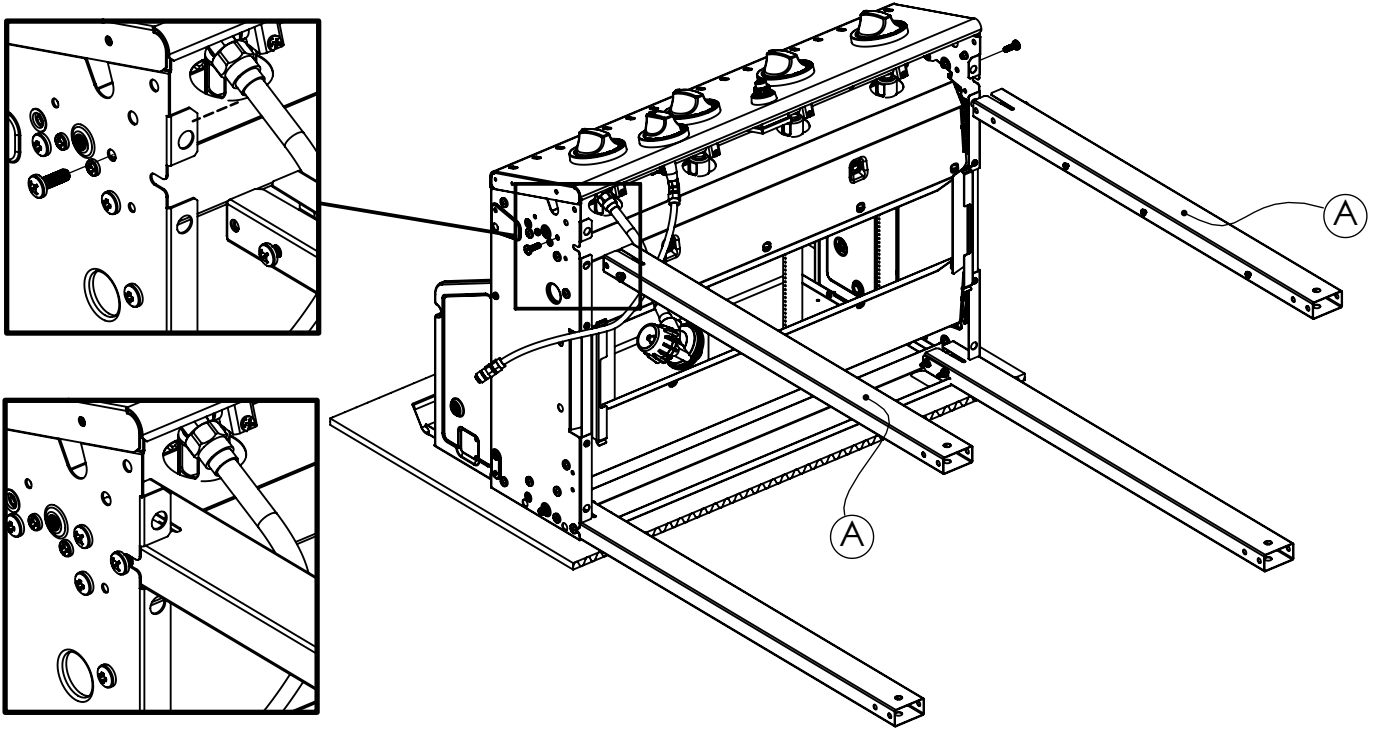
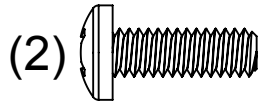
1-800-265-2150  
info@omcbbq.com

1

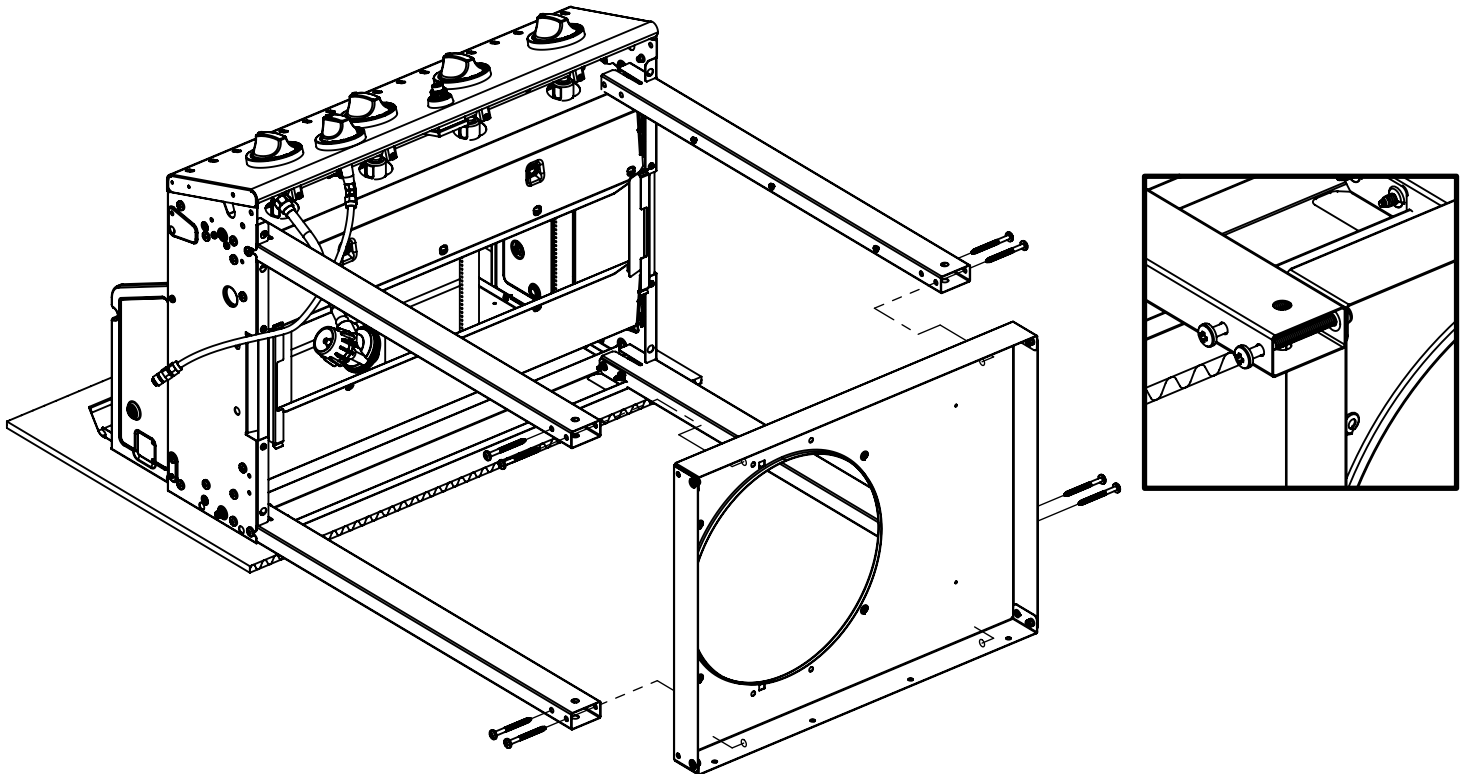
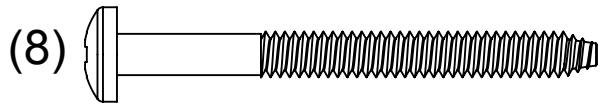
(4)



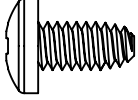
2

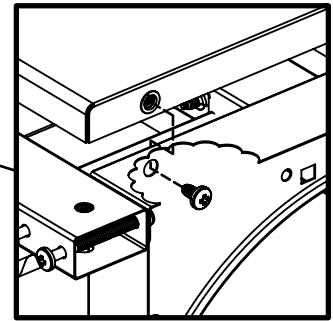
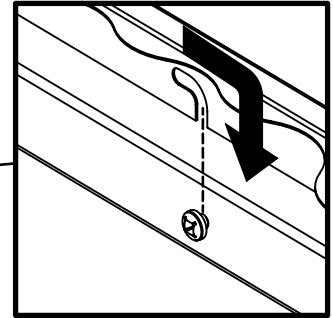
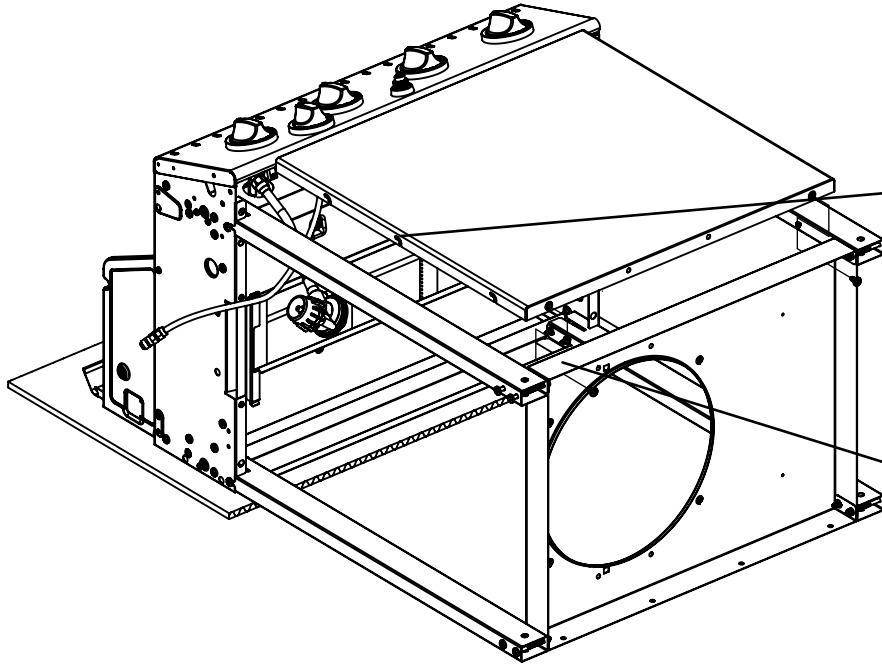


3

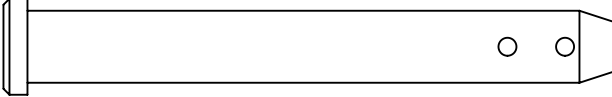


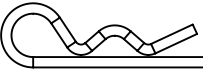
4

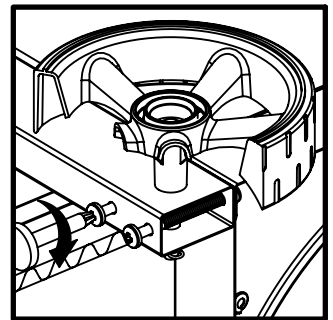
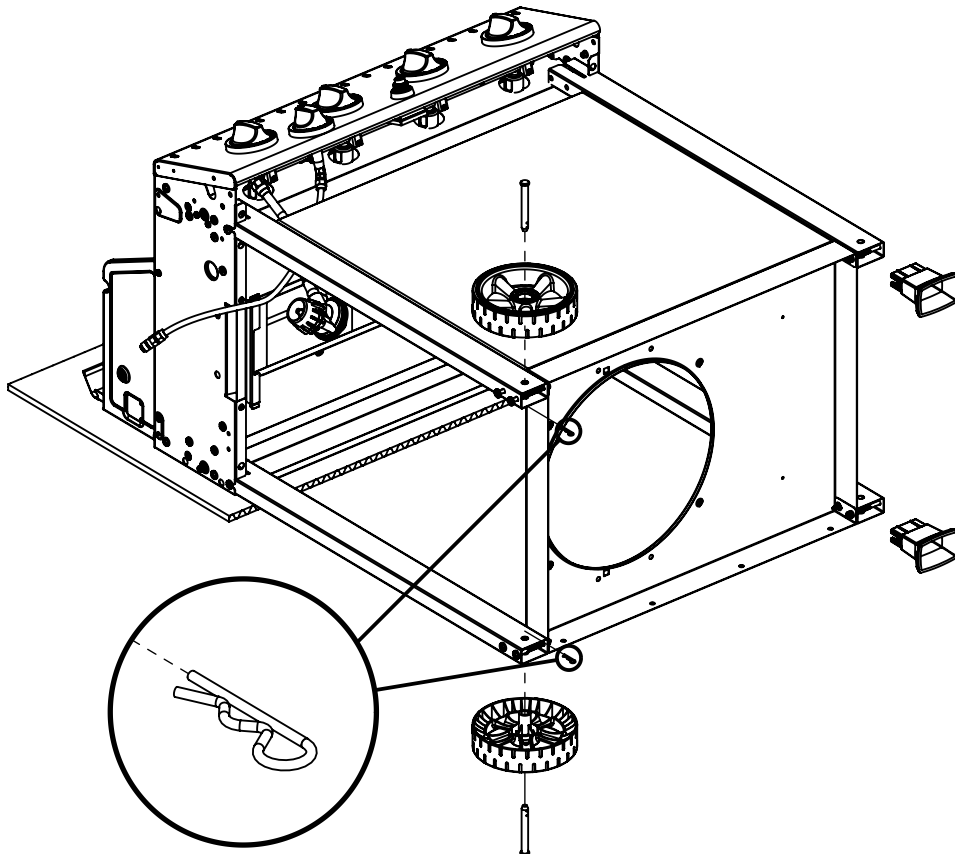
(2) 



5

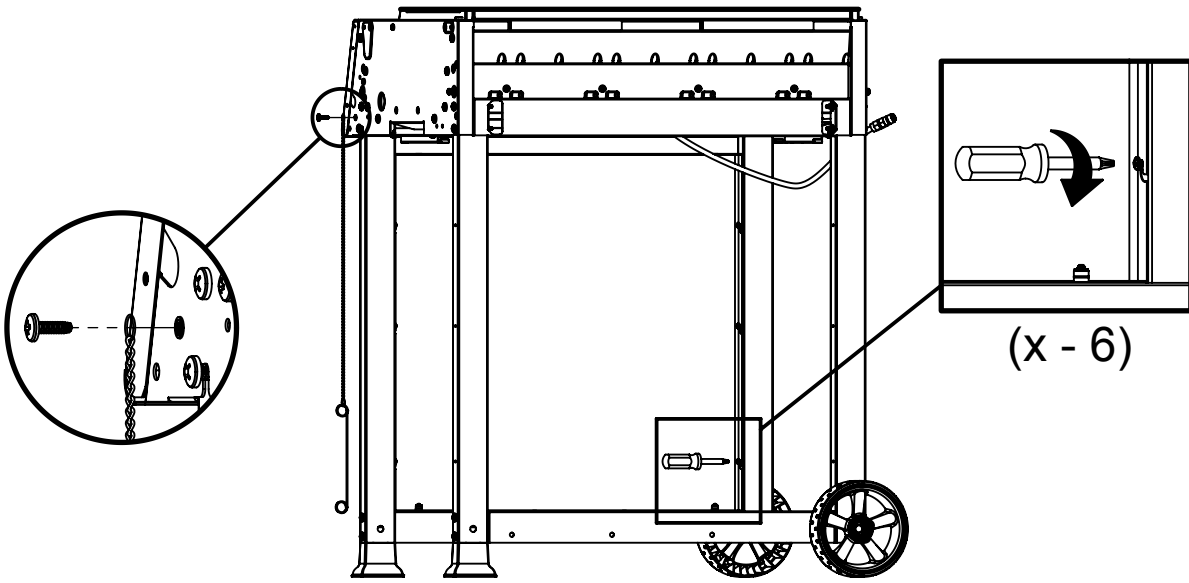
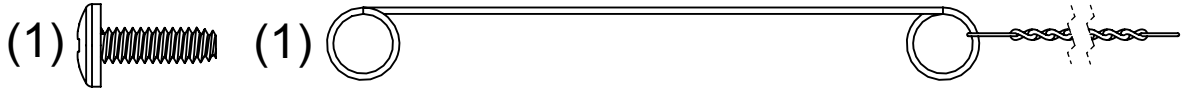
(2) 

(2) 

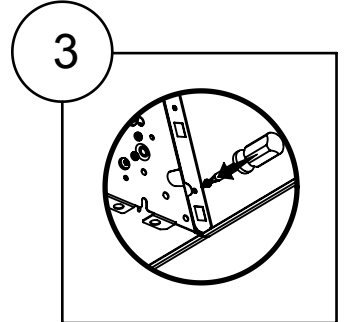
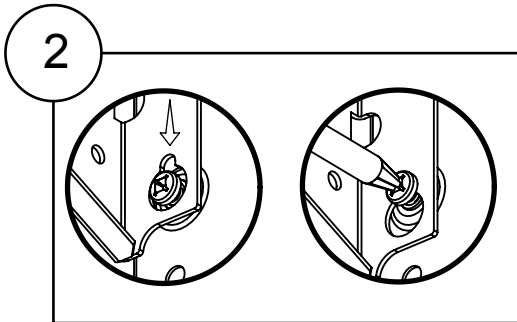
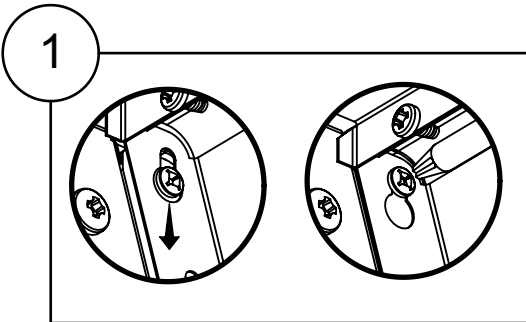
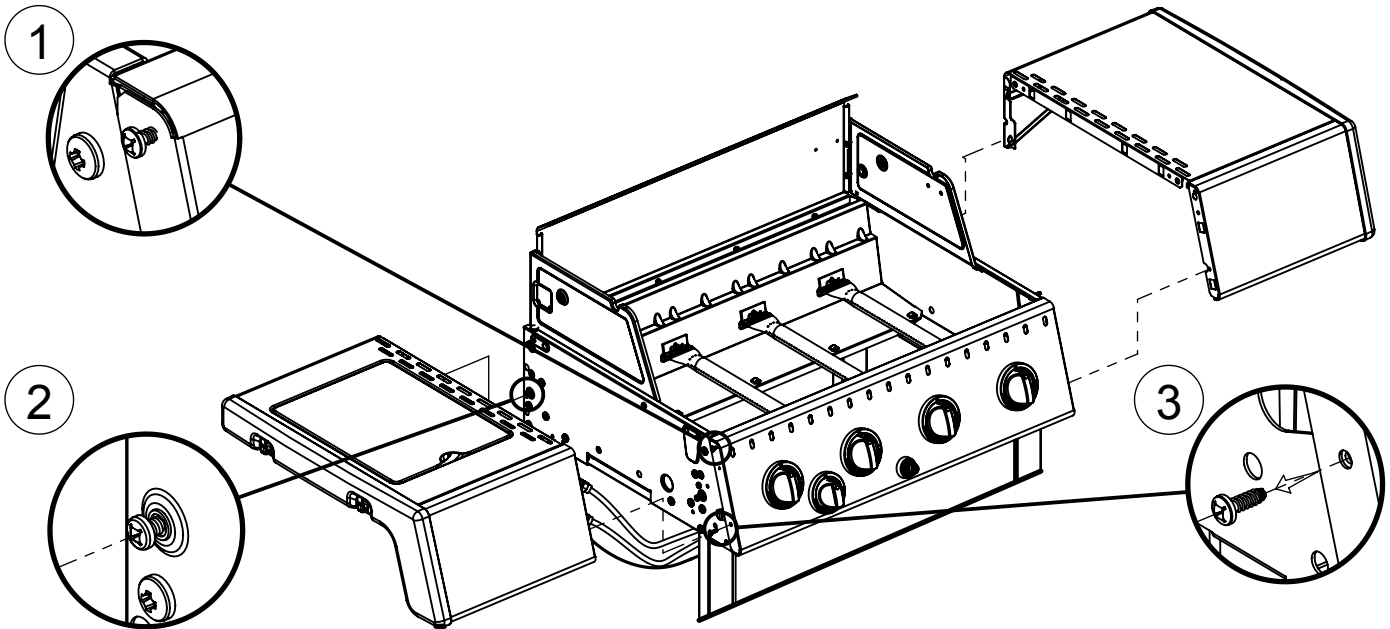


( x-8)

6

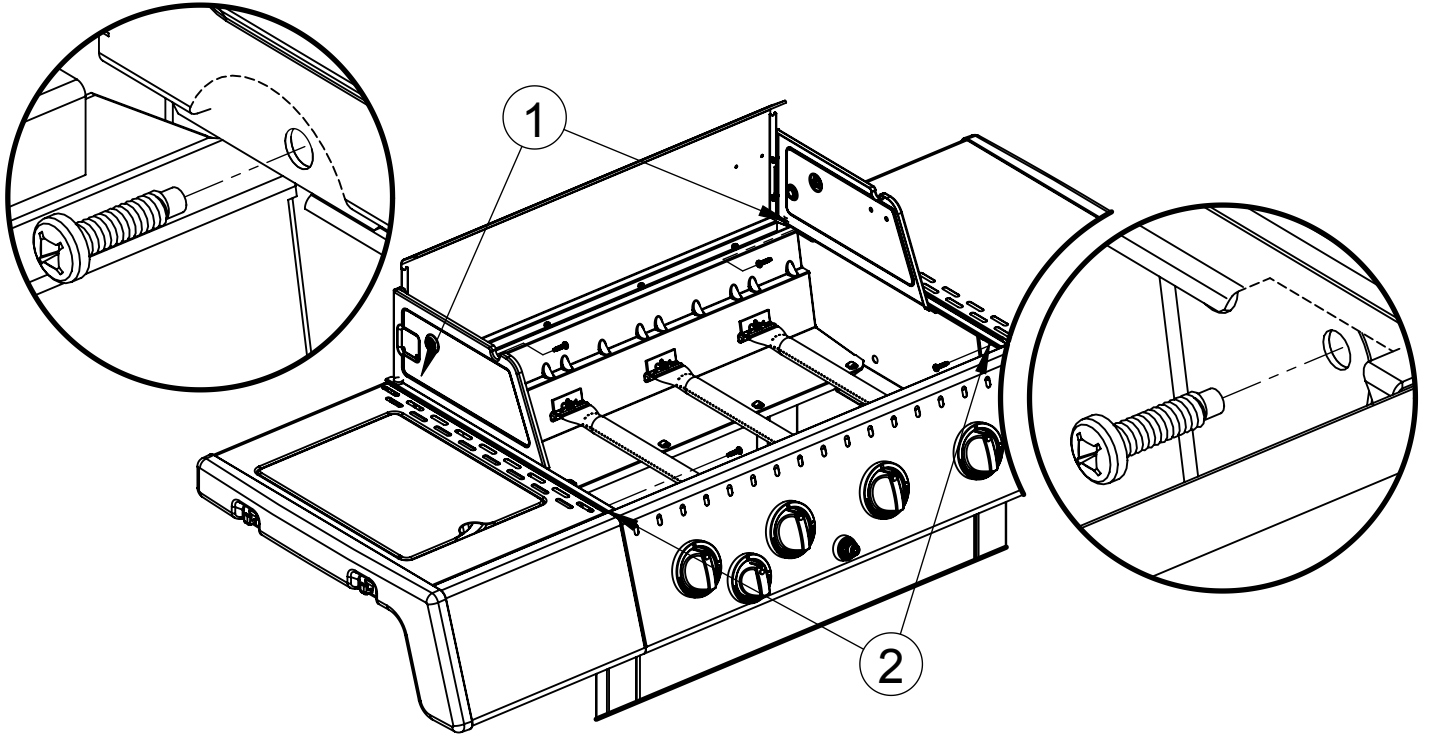
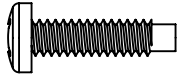


7



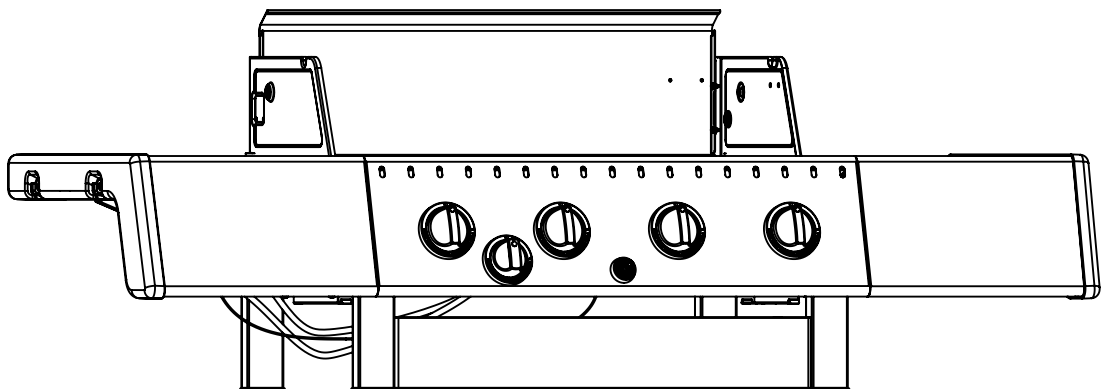
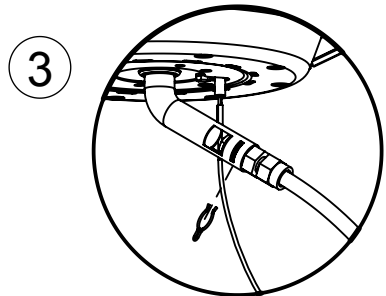
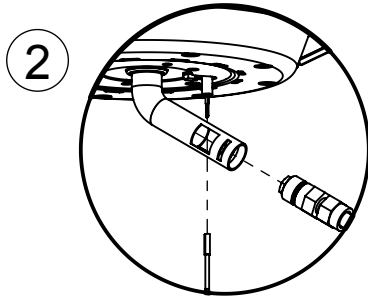
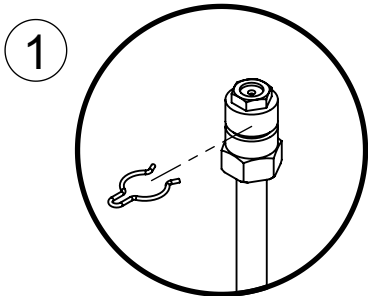
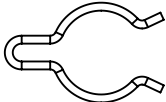
8

(4)

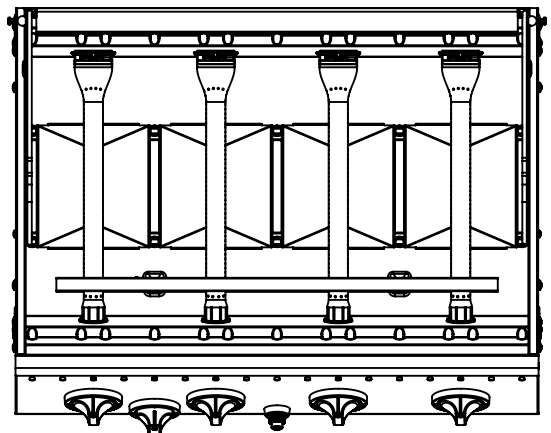
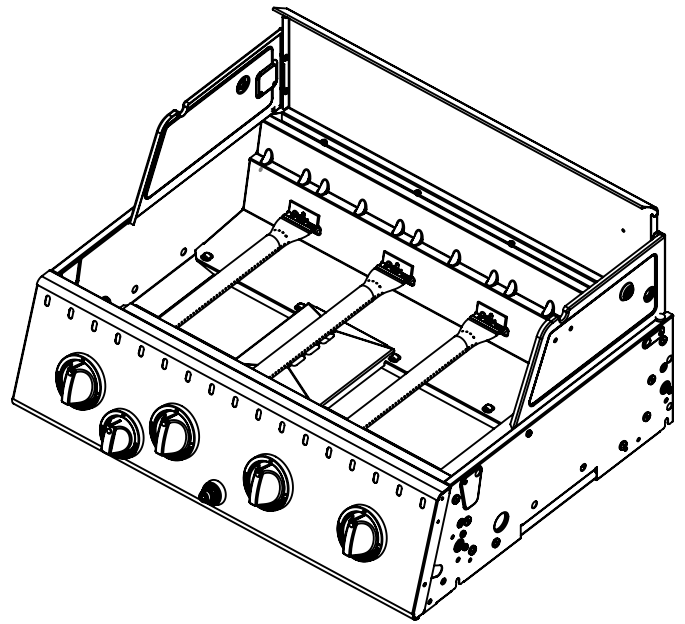
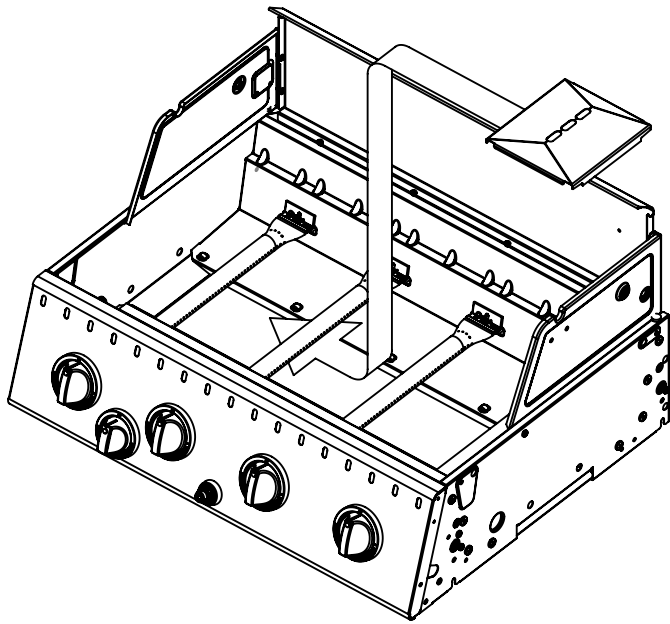
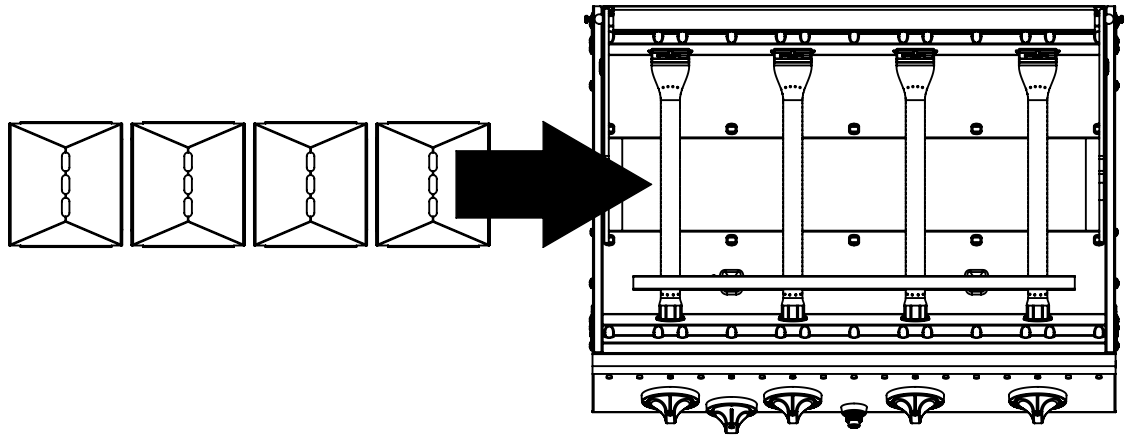


9

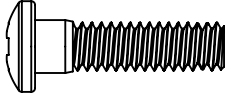
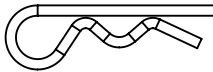
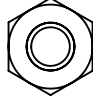
(1)

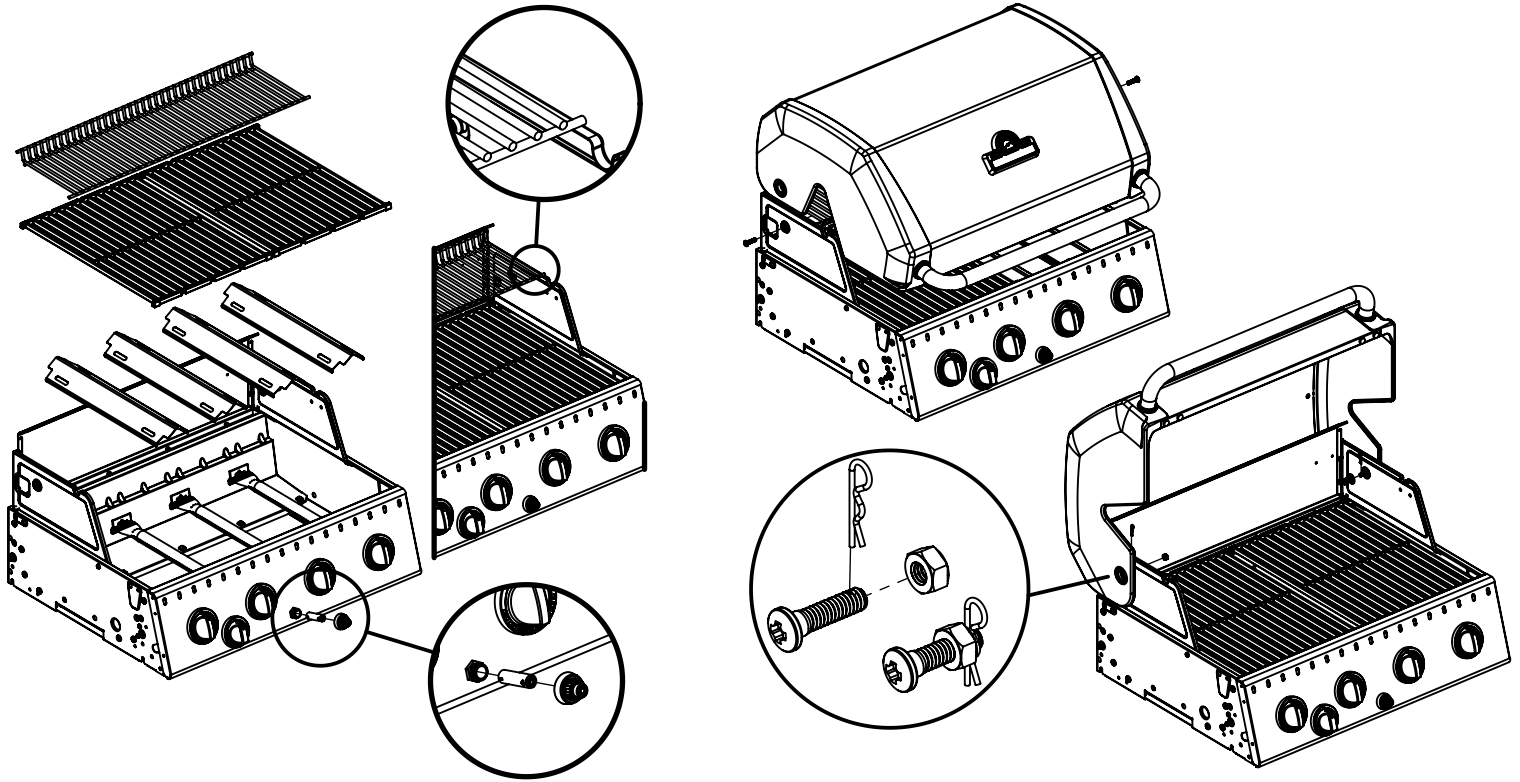


10

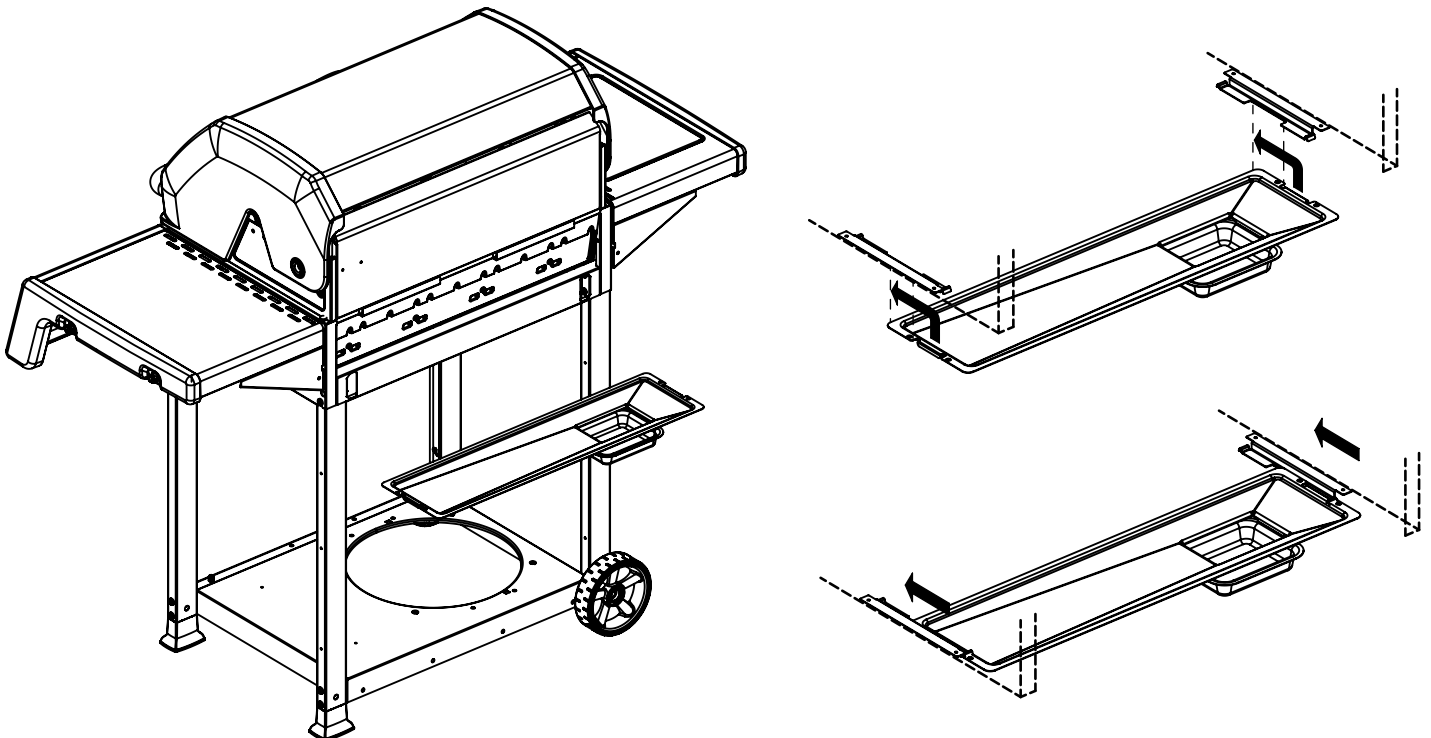


11

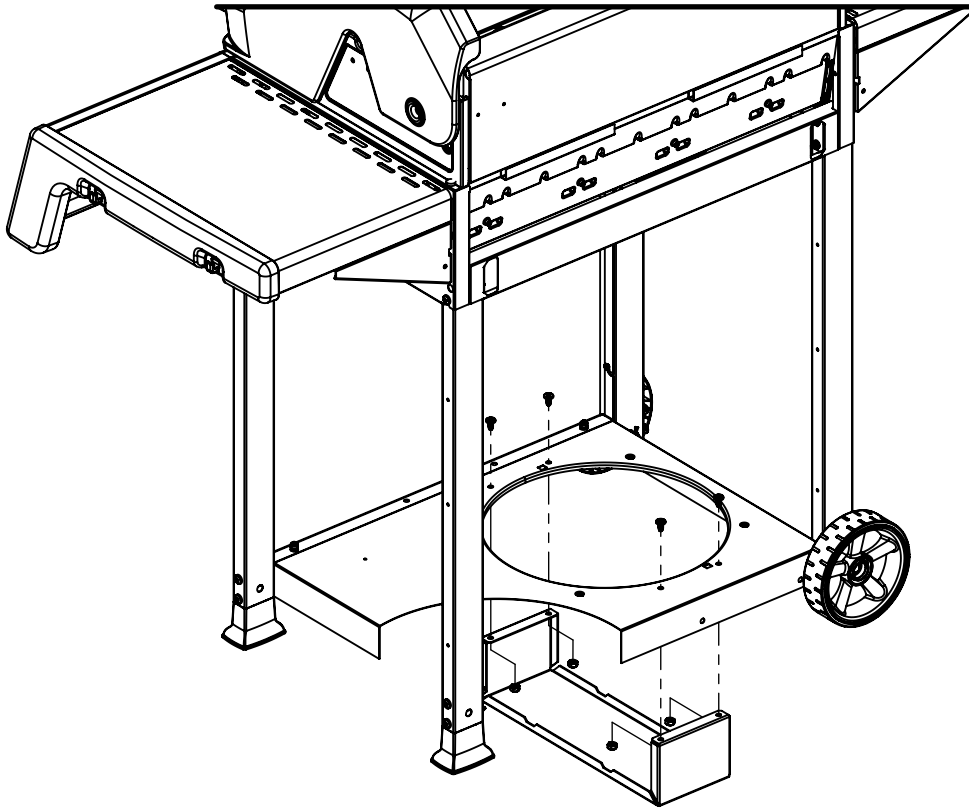
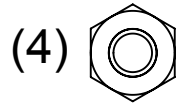
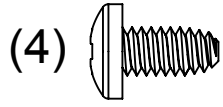
(2)  (2)  (2) 



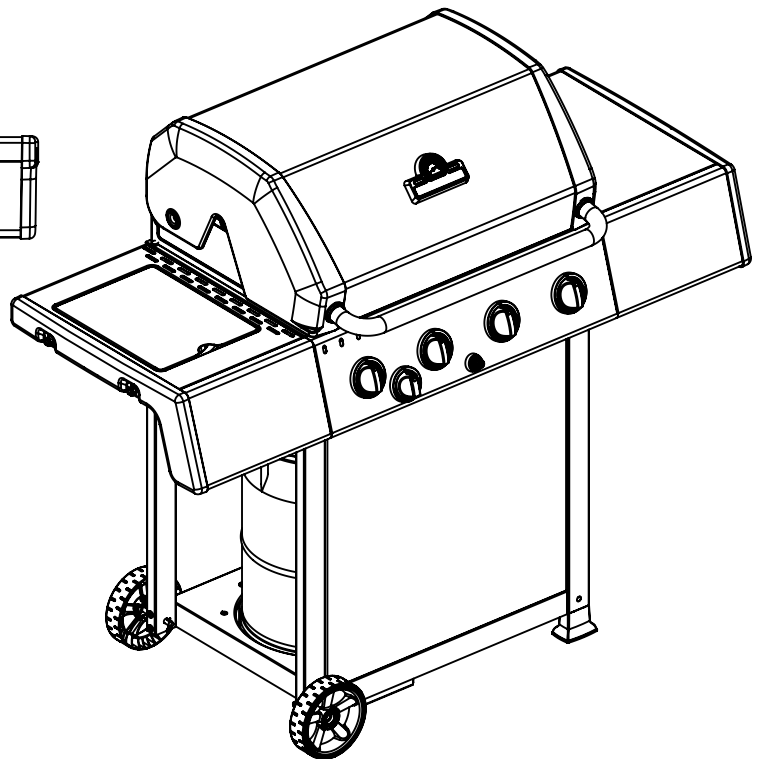
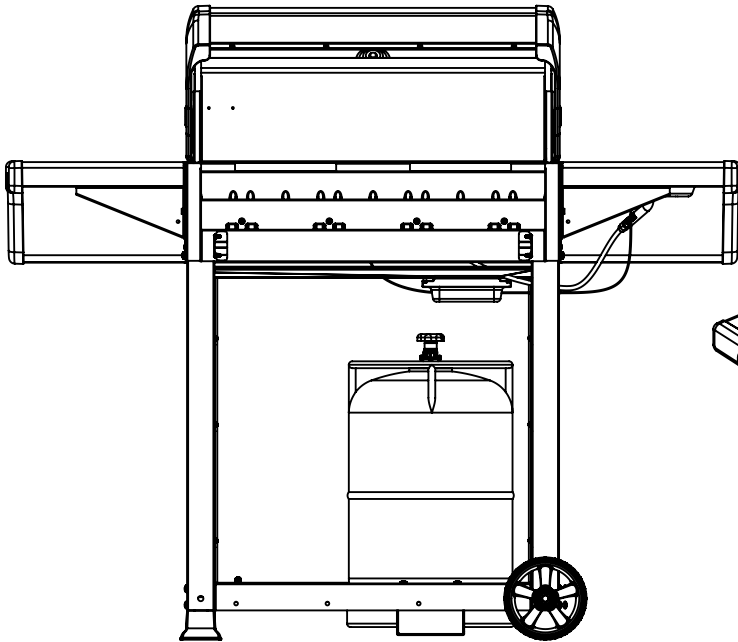
12



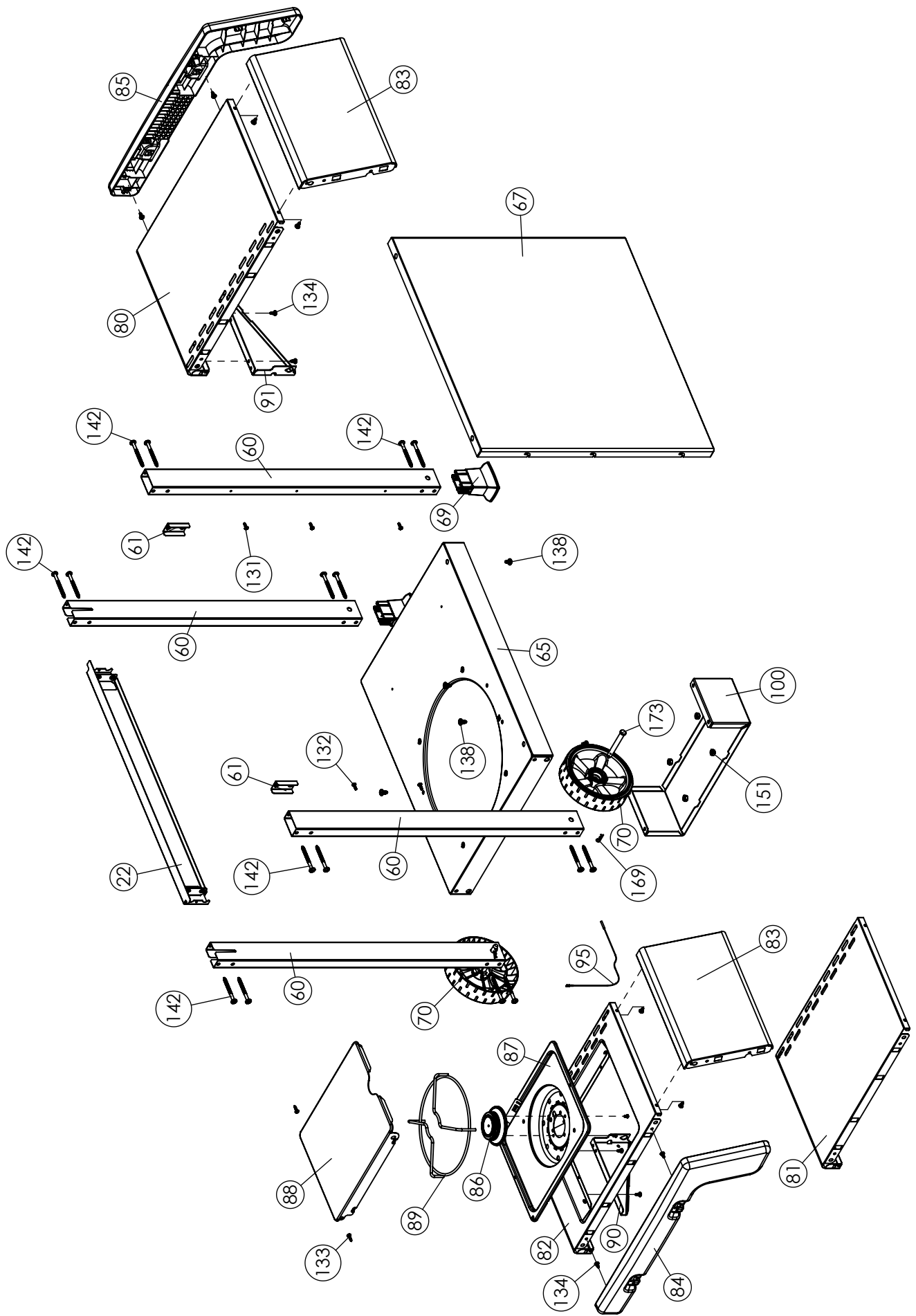
13



14







<u>KEY #</u>	<u>ITEM #</u>	<u>DESCRIPTION</u>	<u>6822-53</u>	<u>6822-63</u>
1	56104-831	LID - SIDE PANEL - LEFT	1	1
2	56104-811	LID - SIDE PANEL - RIGHT	1	1
3	56315-801	LID - OUTER PANEL	1	1
	56315-804		•	•
4	56245-30	LID - INNER PANEL	1	1
5	24005-12A	HANDLE	1	1
6	24009-936	HANDLE BEZEL	2	2
8	44089-60	NAMEPLATE	1	1
9	10571-6	HEAT INDICATOR	1	1
11	52114-131R	PANEL - SIDE UPPER - LEFT	1	1
12	52114-111R	PANEL - SIDE UPPER - RIGHT	1	1
15	56005-001P	COOKBOX ASSEMBLY	1	1
17	27249-90	GREASE SHEILD	4	4
18	52445-92	HEAT SHEILD - FRONT	1	1
20	52349-921	REAR FIREBOX COVER	2	2
22	52335-121	REAR - BRACE	1	1
23	52315-151	PANEL - HOOD	1	1
25	52904-144E	BURNER - MAIN	4	4
26	52225-014	COLLECTOR BOX - FRONT LOWER	1	1
27	52215-014	COLLECTOR BOX - FRONT UPPER	1	1
28	52015-244	CONTROL COVER	•	1
	52015-124		1	•
29	59005-035	CONTROL ASSEMBLY	•	1
	59005-015		1	•
30	S13473-079	HOSE - SIDE BURNER	•	1
38	22002-268	CONTROL KNOB - BEZEL	4	4
39	22001-168	CONTROL KNOB - BEZEL	•	1
40	10472-K431	CONTROL KNOB	4	4
41	10472-K231	CONTROL KNOB	•	1
42	10342-246	ELECTRONIC IGNITOR	•	1
	10342-245		1	•
43	10342-E13	ELECTRODE	2	2
44	52249-404	HEAT TENT	4	4
45	52002-181	GRID - PORCELAIN	2	2
46	52005-091	GRID - WARMING RACK	1	1
47	57055-902	GREASE TRAY	1	1
48	22049-102	GREASE TRAY - BRACKET	2	2
49	52009-902	GREASE PAN	1	1
60	51209-101	LEG	4	4
61	52340-202	LEG - BRACKET	2	2
65	51695-131R	CABINET - LOWER SHELF	1	1
67	51245-911R	FRONT PANNEL	1	1
69	51429-158	RESIN FOOT	2	2
70	10892-608	WHEEL	2	2
80	53104-111	SIDE SHELF	1	1
81	53104-131	SIDE SHELF	1	•
82	53104-151	SIDE SHELF - SIDE BURNER	•	1
83	53404-114	SIDE SHELF - FASCIA	2	2
84	53184-138	SIDE SHELF - END CAP - LEFT	1	1
85	53184-118	SIDE SHELF - END CAP - RIGHT	1	1
86	10390-E10E	SIDE BURNER	•	1
87	53004-271	SIDE BURNER - BODY	•	1
88	53000-251	SIDE BURNER - COVER	•	1
89	63139-981	SIDE BURNER GRID	•	1
90	23030-631	SIDE SHELF - BRACKET - LEFT	1	1
91	23030-611	SIDE SHELF - BRACKET - RIGHT	1	1
95	10342-T18	SIDE BURNER ELECTRODE	•	1
100	21039-30	TANK RETAINER	1	1
130	Y-12835	SCREW - #6 X 1/4	•	2
131	S21125	SCREW - #8 X 3/8	16	16
132	S21124	SCREW - #8 X 1/2	15	15
133	Y-12641	SCREW - SHOULDER #8 X 1/2	8	8
134	Y-29304	SCREW - #10-24 X 3/8	16	16
135	S35094	SCREW - #10-24 X 5/8	1	1
136	Y-29310	SCREW - #10-24 X 3/4	4	4
138	Y-12865	SCREW - 1/4-20 X 1/2	30	30
139	Y-11546	SCREW - SHOULDER 1/4-20 X 5/8	4	4
140	Y-12310	SCREW - 1/4-20 X 3/4	4	4
141	Y-12860	SCREW - 1/4-20 X 1	2	2
142	Y-11562	SCREW - 1/4-20 X 2 1/2	12	12
150	Y-29307	NUT - #10-24	2	2
151	Y-11793	NUT - 1/4-20	2	2
155	Y-12870	WASHER - #10	6	6
169	S21233	CLIP	4	4
170	10240-23	HINGE PIN	2	2
171	S21242	CLIP	4	4
172	Y-11544	BURNER SCREW	3	3
173	10240-13	WHEEL PIN	2	2
175	Y-11230	CLIP	•	1
180	Y-11231	BUMPER - ROUND	3	3
181	Y-11235	LID BUMPER - ROUND	5	5
182	20005-000	MATCH LIGHT CHAIN	1	1