

This Owner's Manual is provided and hosted by [Appliance Factory Parts](#).



# HUNTINGTON 6811-53 Owner's Manual

[Shop genuine replacement parts for HUNTINGTON  
6811-53](#)



[Find Your HUNTINGTON Grill Parts - Select From 154 Models](#)

----- Manual continues below part list -----

## Available Replacement Parts for HUNTINGTON 6811-53

<a href="#">S21233</a>	HITCH PIN CLIP +
<a href="#">Y-12860</a>	SCREW-THCP 1/4-20 X 1-TY-C A04
<a href="#">Y-11793</a>	NUT HEX 1/4 20 JS500 +
<a href="#">S21123</a>	SCREW TRUSS HD PHIL-#8 X 1/2
<a href="#">Y-12646</a>	SCREW PHCP SHL.8X1/2 TY-AB +
<a href="#">Y-12835</a>	SCREW-PHCP 6-32X1/4 TY-F JS500
<a href="#">Y-29307</a>	NUT HEX #10-24 JS500
<a href="#">Y-11230</a>	HAIRPIN COTTER SIDE BURNER +
<a href="#">Y-11546</a>	SCREW PHCP 1/4-20X5/8 INCH A04#A
<a href="#">S21124</a>	SCREW PHCP #8 X 12 +
<a href="#">Y-29304</a>	SCREW PHCP #10 24x3/8
<a href="#">Y-12220</a>	S/B BUSHING SB 1.375 16 HEY
<a href="#">S21125</a>	SCREW 8 X 3/8 PAN HEAD
<a href="#">S35094</a>	SCREW #10-24 X 5/8
<a href="#">10342-246</a>	IGNITOR ELECTRONIC TRIPLE +
<a href="#">Y-11231</a>	LID BUMPER ROUND BLK
<a href="#">Y-12223</a>	MAGNET SNAP IN - DOOR
<a href="#">Y-12222</a>	MAGNET - DOOR
<a href="#">10342-E13</a>	ELECTRODE W/WIRE
<a href="#">10240-20</a>	DOOR PIN TOP
<a href="#">10240-19</a>	DOOR PIN BOTTOM
<a href="#">Y-12124</a>	DOOR PIN CAP BOTTOM
<a href="#">18431</a>	FLAV-R-WAVE - BARON - SS
<a href="#">10240-23</a>	LID PIN 1/4-20
<a href="#">Y-12127</a>	DOOR CLIP UPPER
<a href="#">Y-29310</a>	SCREW #10-24 3/4 TRUSS QU
<a href="#">20005-000</a>	HARDWARE BAG STICK & CHAIN SS
<a href="#">10892-23</a>	CASTER RUBBER 3 INCH W/PLATE
<a href="#">21106-13</a>	HANDLE +
<a href="#">10342-245</a>	IGNITOR ELECTRONIC DUAL +

<a href="#">10342-T21</a>	ELECTRODE WIRE S/B 35 INCH
<a href="#">24004-12A</a>	LID HANDLE BENT 330 430SS
<a href="#">51039-951</a>	CASTER BRACKET BLACK 330/440/550
<a href="#">52004-991</a>	WARMING RACK 330 PORC
<a href="#">11241</a>	COOKING GRID - BARON/CROWN/REBEL/PATRIOT
<a href="#">22024-903</a>	COLLECTR BOX 330 UPER 430SS TUBE IN TUBE
<a href="#">53184-118</a>	SHELF END CAP RHS 330/440
<a href="#">53184-138</a>	SHELF END CAP LHS 330/440
<a href="#">53404-114</a>	SHELF FRONT FACIA RHS 330/440
<a href="#">57154-901</a>	GREASE TRY 340/401 0.8MM BLK HI HEAT PNT
<a href="#">53009-951</a>	SIDE BURNER TRIVET BLK
<a href="#">Y-11235</a>	LID BUMPER HEX-BLK AB
<a href="#">Y-12865</a>	SCREW 1/4 X 20X1/2 TYPE-C PHCP
<a href="#">18010</a>	LID HEAT INDICATOR - SMALL - SS
<a href="#">51334-211</a>	TOP MAGNET BRACKET 330 BLACK
<a href="#">53104-111</a>	SHELF RHS BLK 330/440
<a href="#">S21242</a>	CLIP BURNER TUBE MOUNT SS
<a href="#">52044-92</a>	FIREBOX 330 HEAT SHIELD REAR
<a href="#">Y-11544S</a>	SCREW - BURNER #10-24 X 3/8
<a href="#">24009-936</a>	HANDLE RING
<a href="#">10472-K431</a>	CONTRL KNOB RESIN LRG BLCK W/SS BA STRIP
<a href="#">22001-168</a>	CONTROL KNOB BEZEL SML
<a href="#">22002-268</a>	CONTROL KNOB BEZEL LARGE
<a href="#">52009-901</a>	GREASE PAN - BLACK HIGH HEAT PAINT
<a href="#">57139-13</a>	BRACKET U-CHANNEL REAR 330/440/550
<a href="#">10111-15A</a>	HOSE ASSEMBLY SS
<a href="#">27249-904</a>	GREASE SHIELD MODULAR, 6.5 x 6

# HUNTINGTON™

---

---

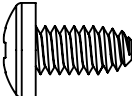


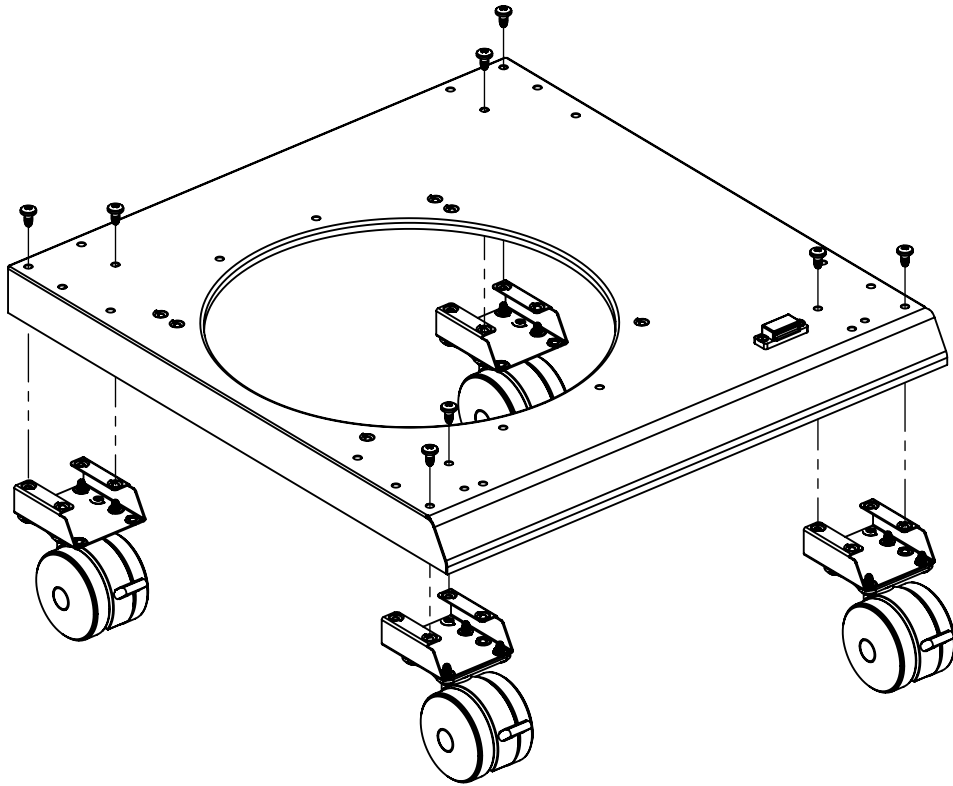
HUNTINGTON 681153



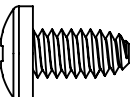
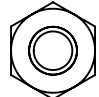
HUNTINGTON 681163

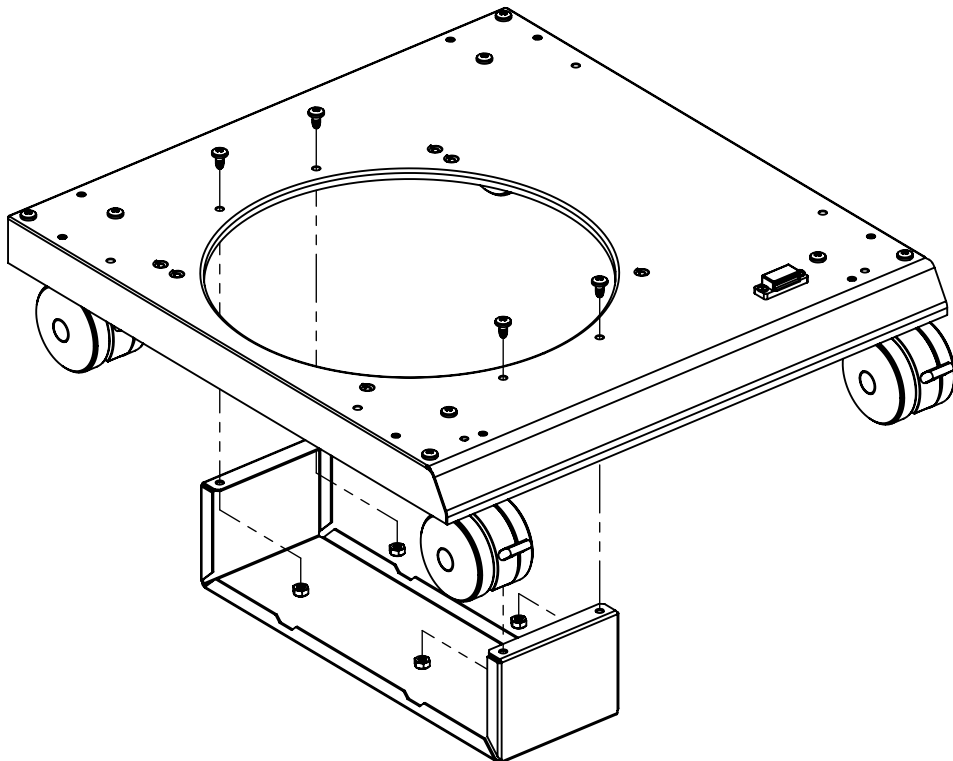
1

(8) 

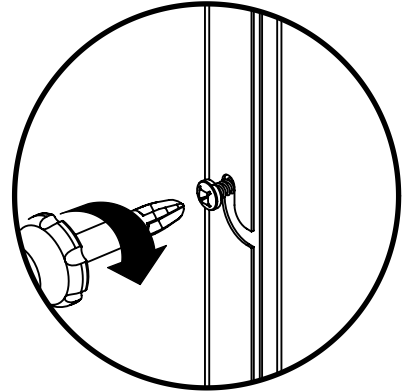
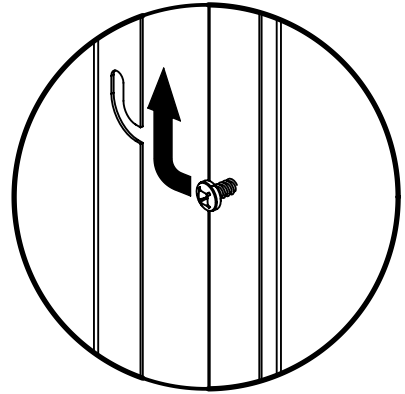
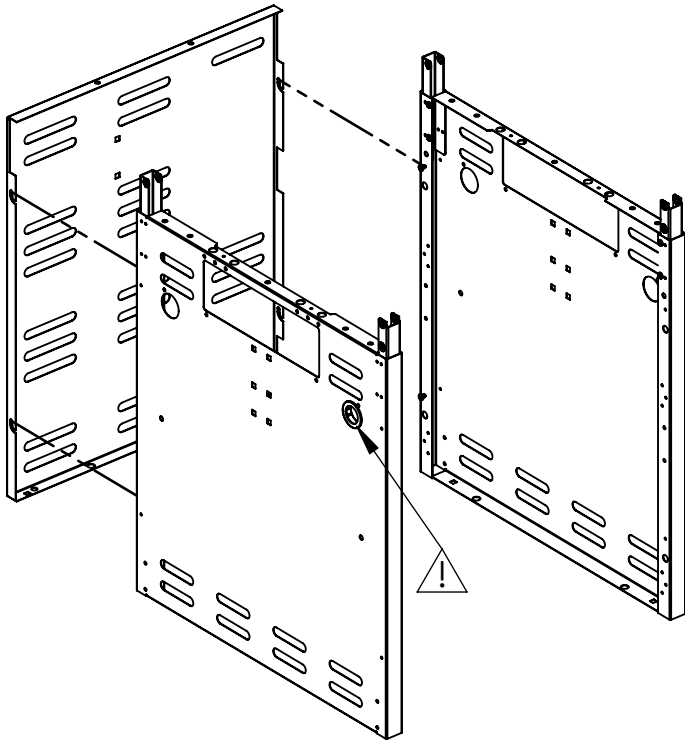


2

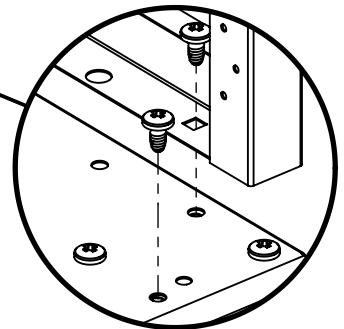
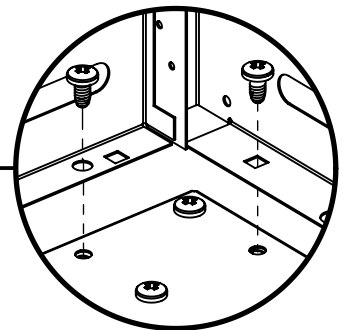
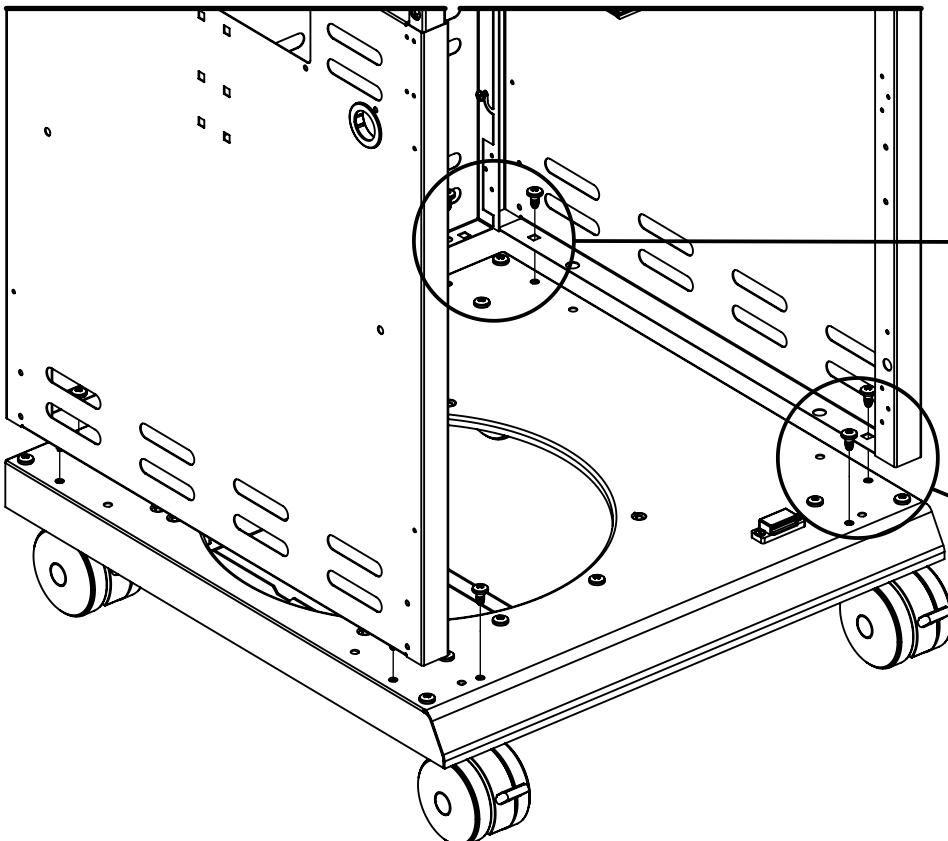
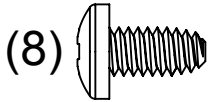
(4)  (4) 




3

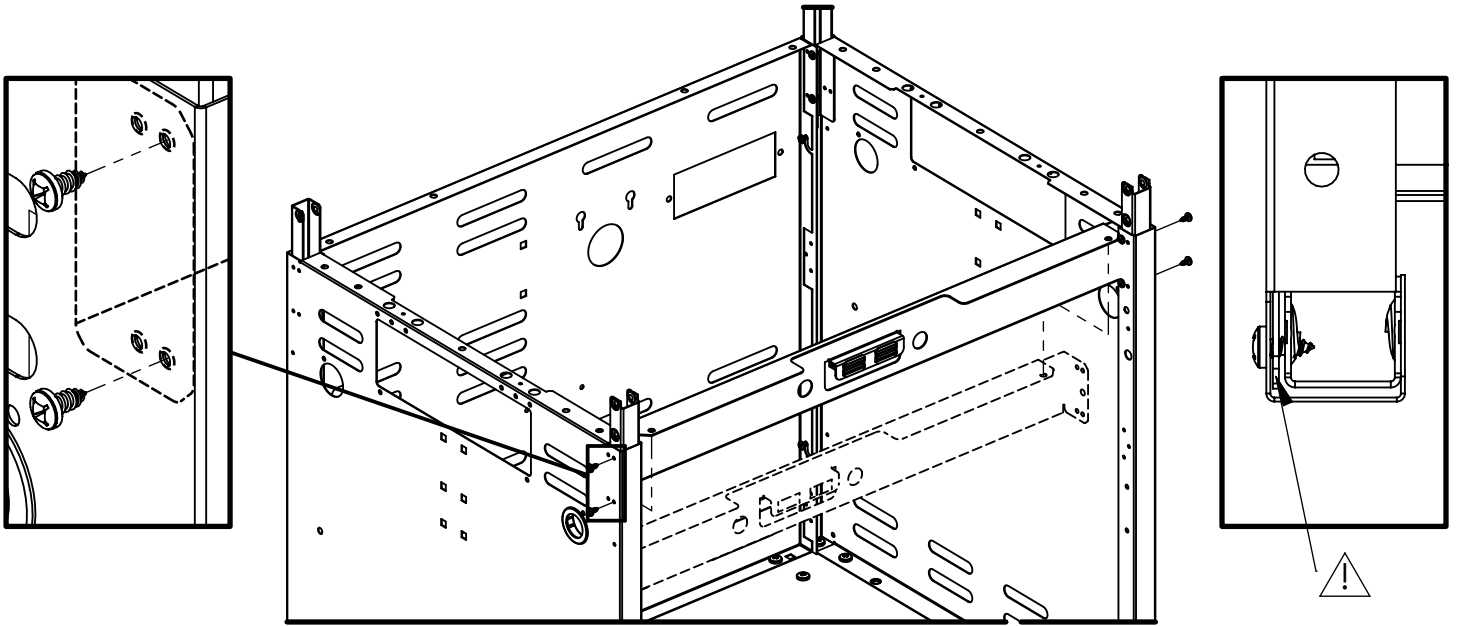


4

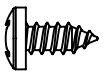


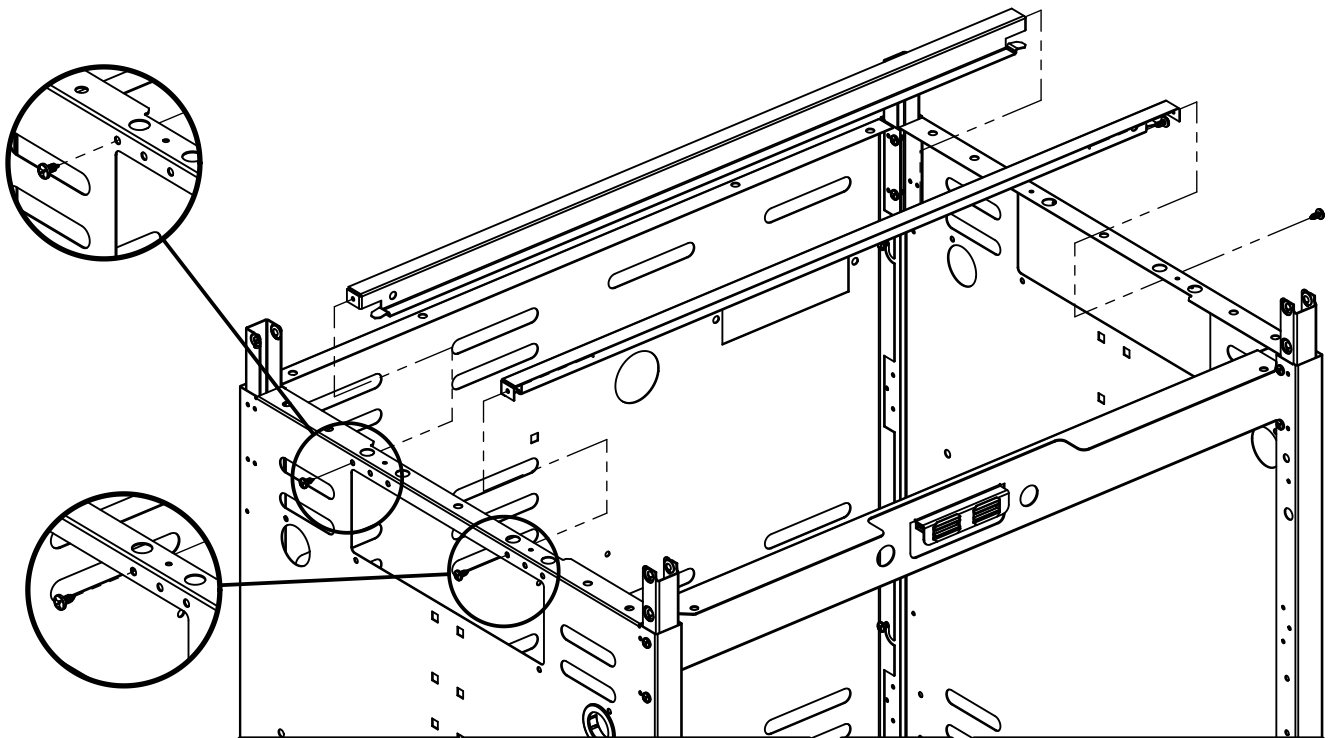
**5**

(4) 

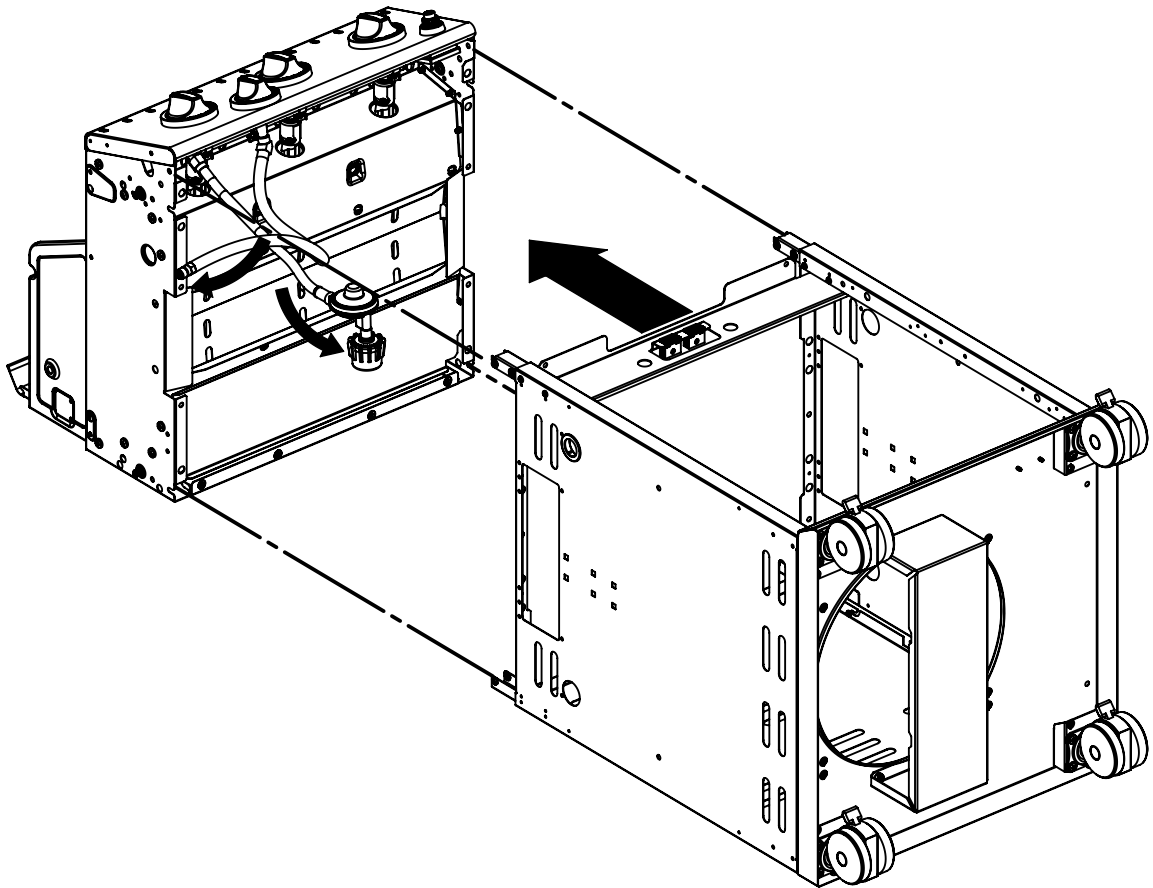


**6**

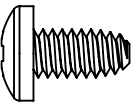
(4) 

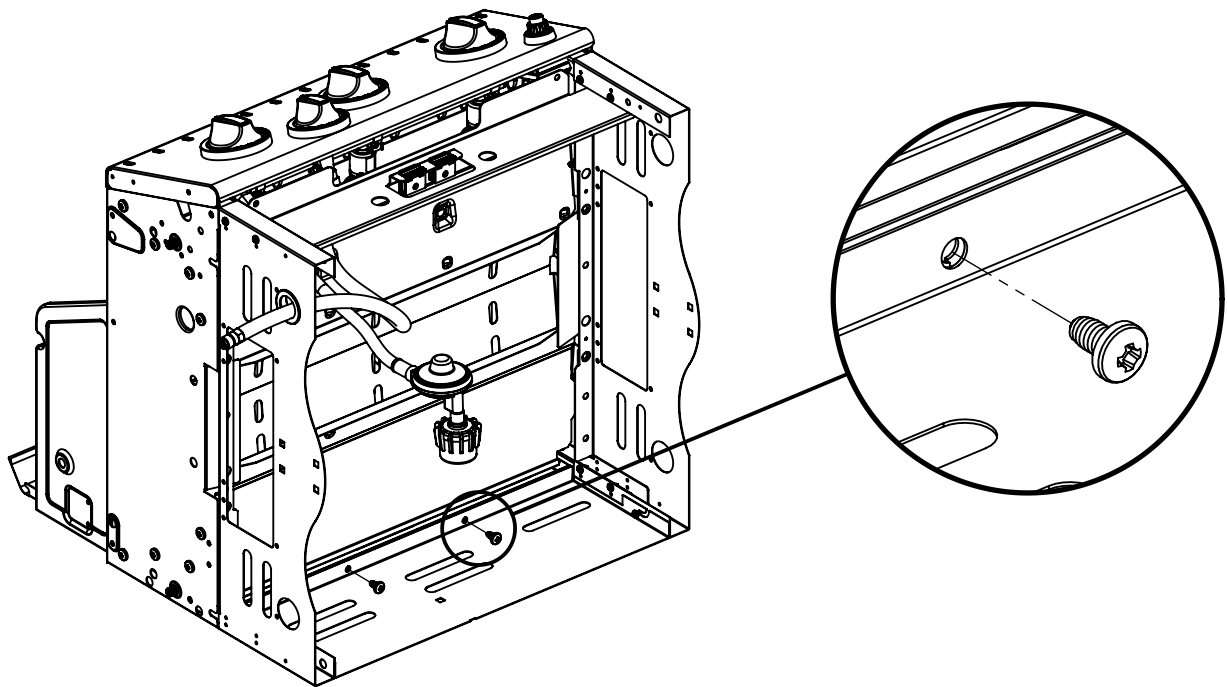


7

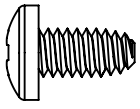


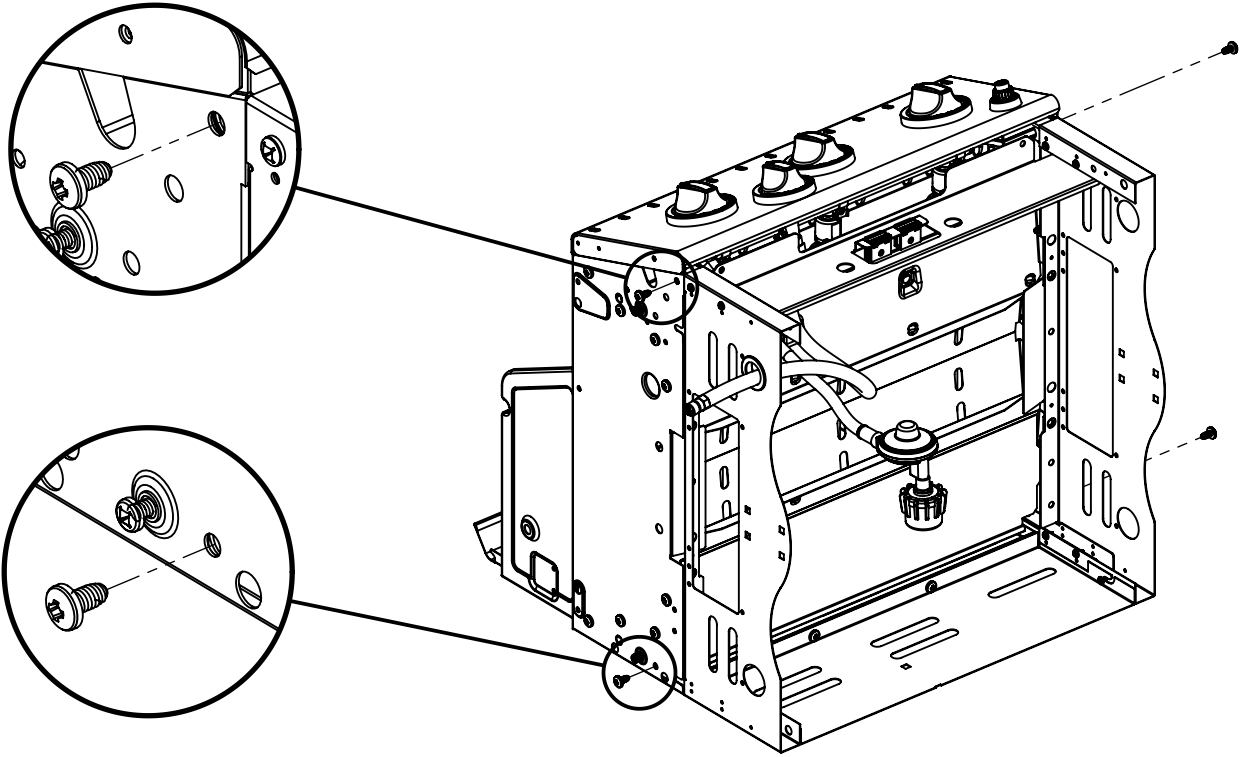
8

(2) 

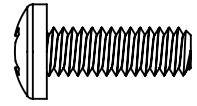
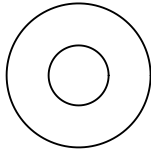


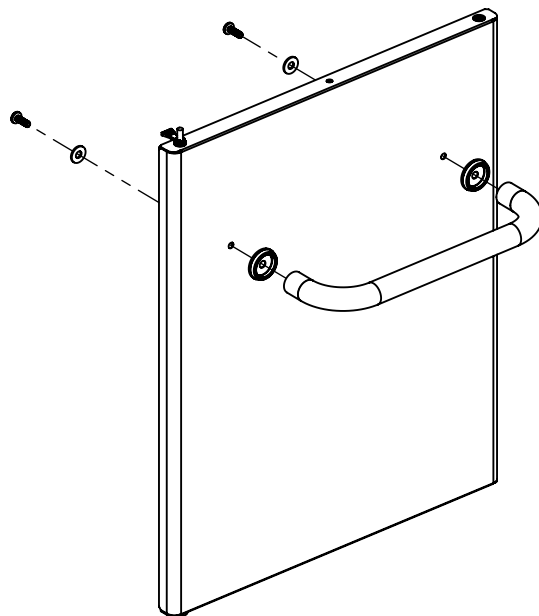
**9**

(4) 



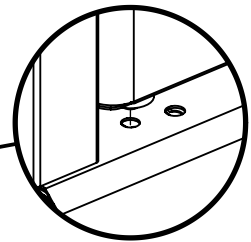
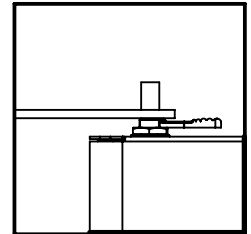
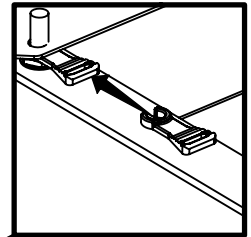
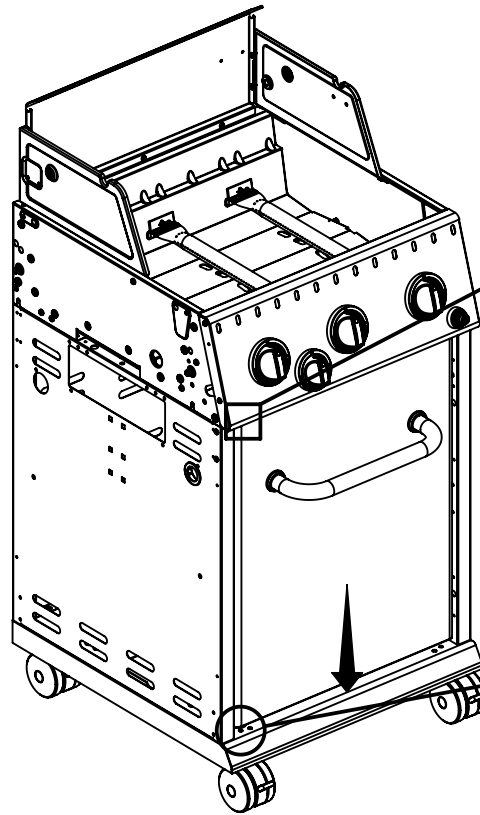
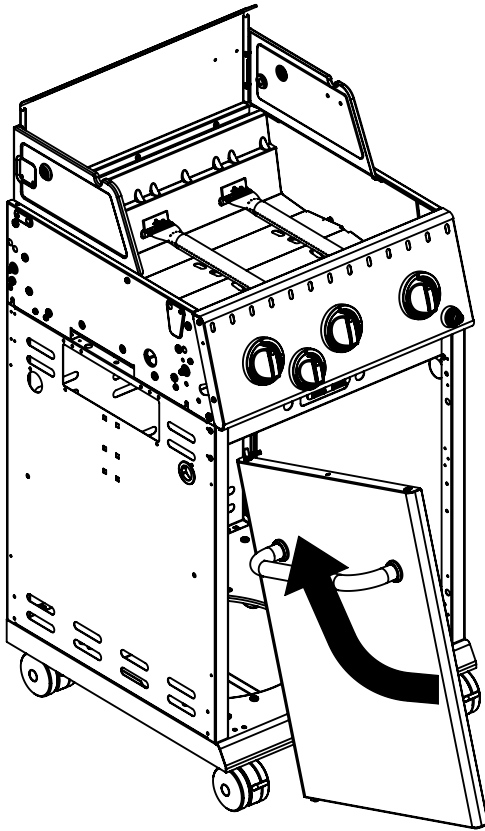
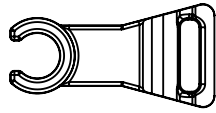
**10**

(2)  (2) 



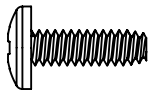
11

(1)

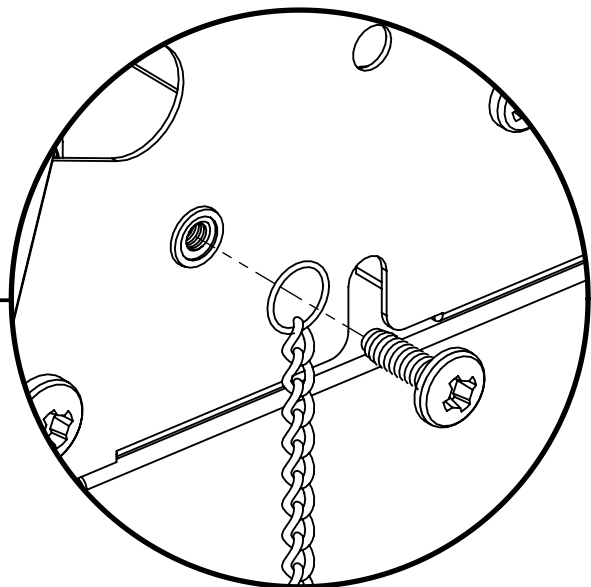
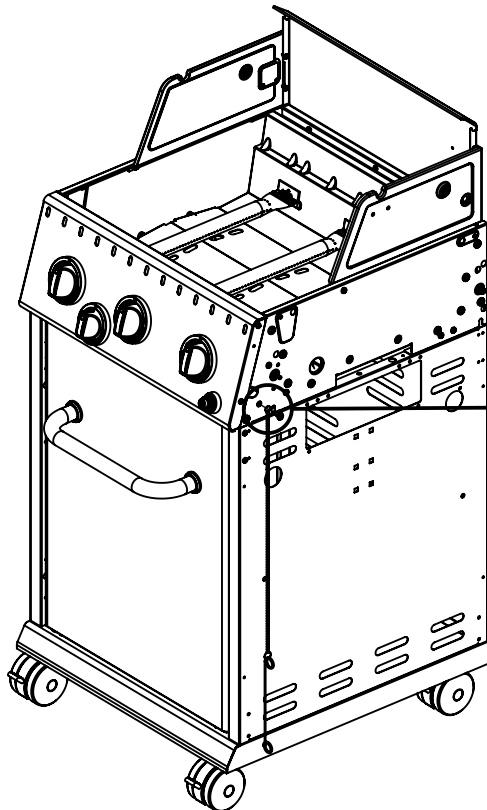
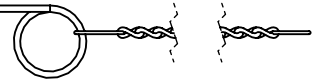


12

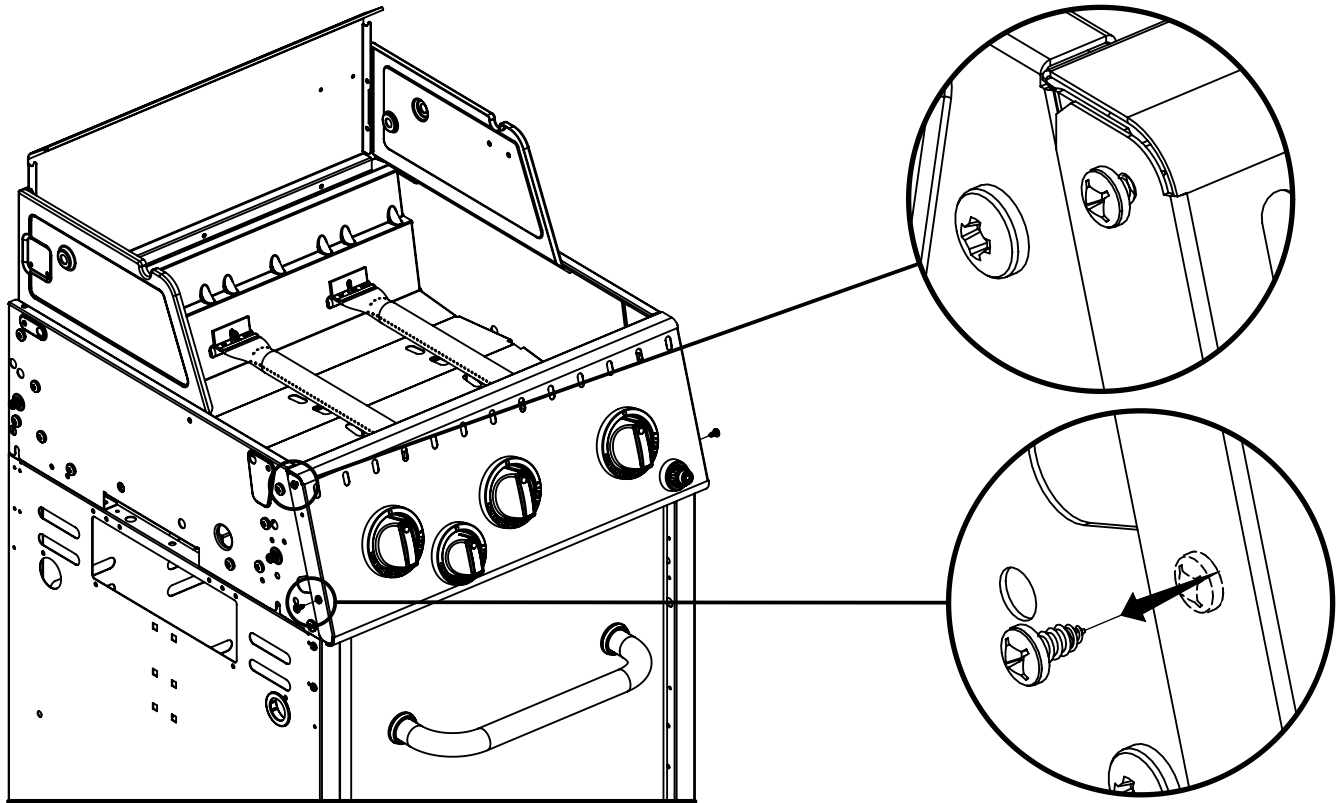
(1)



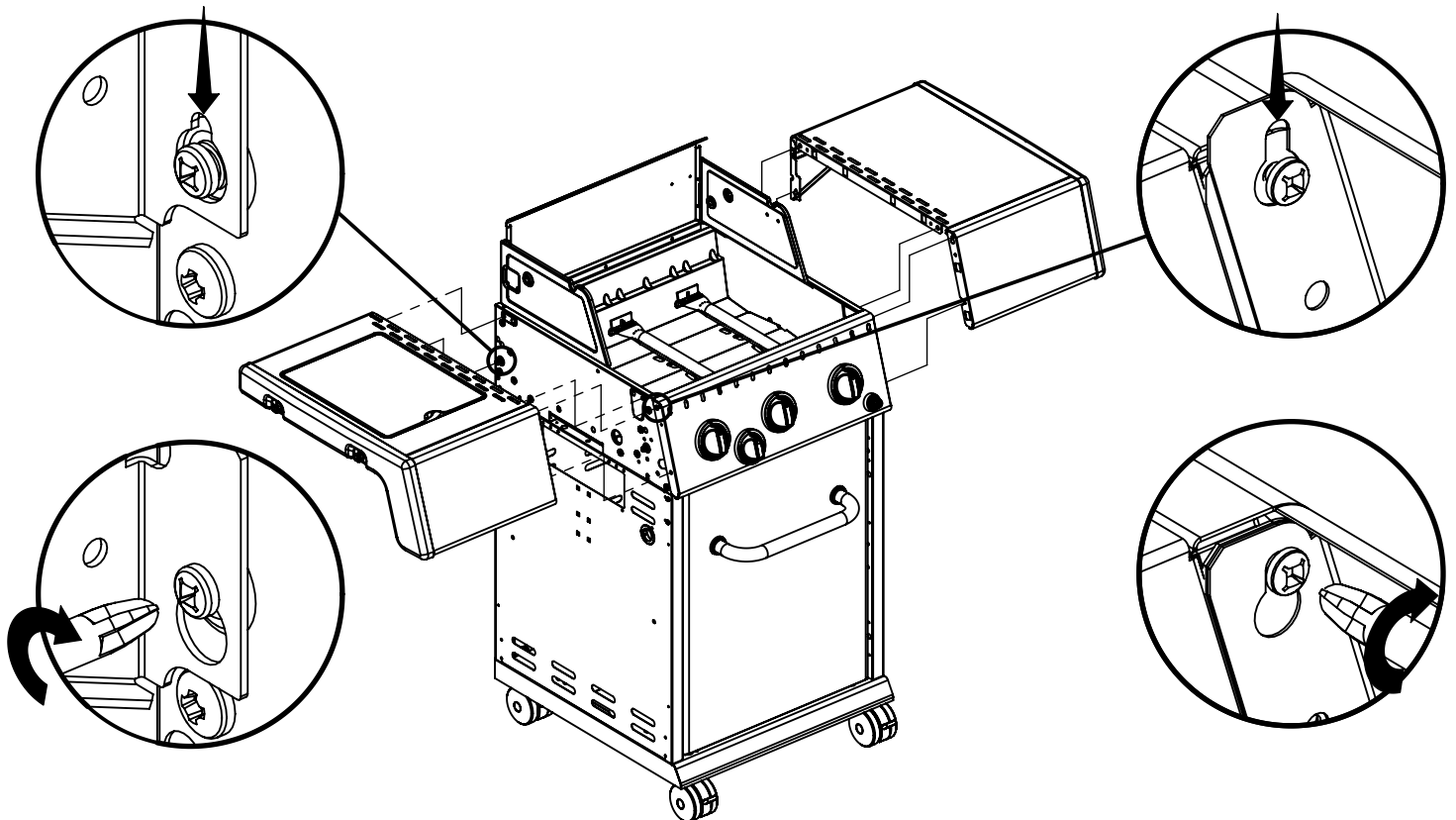
(1)



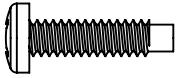
13

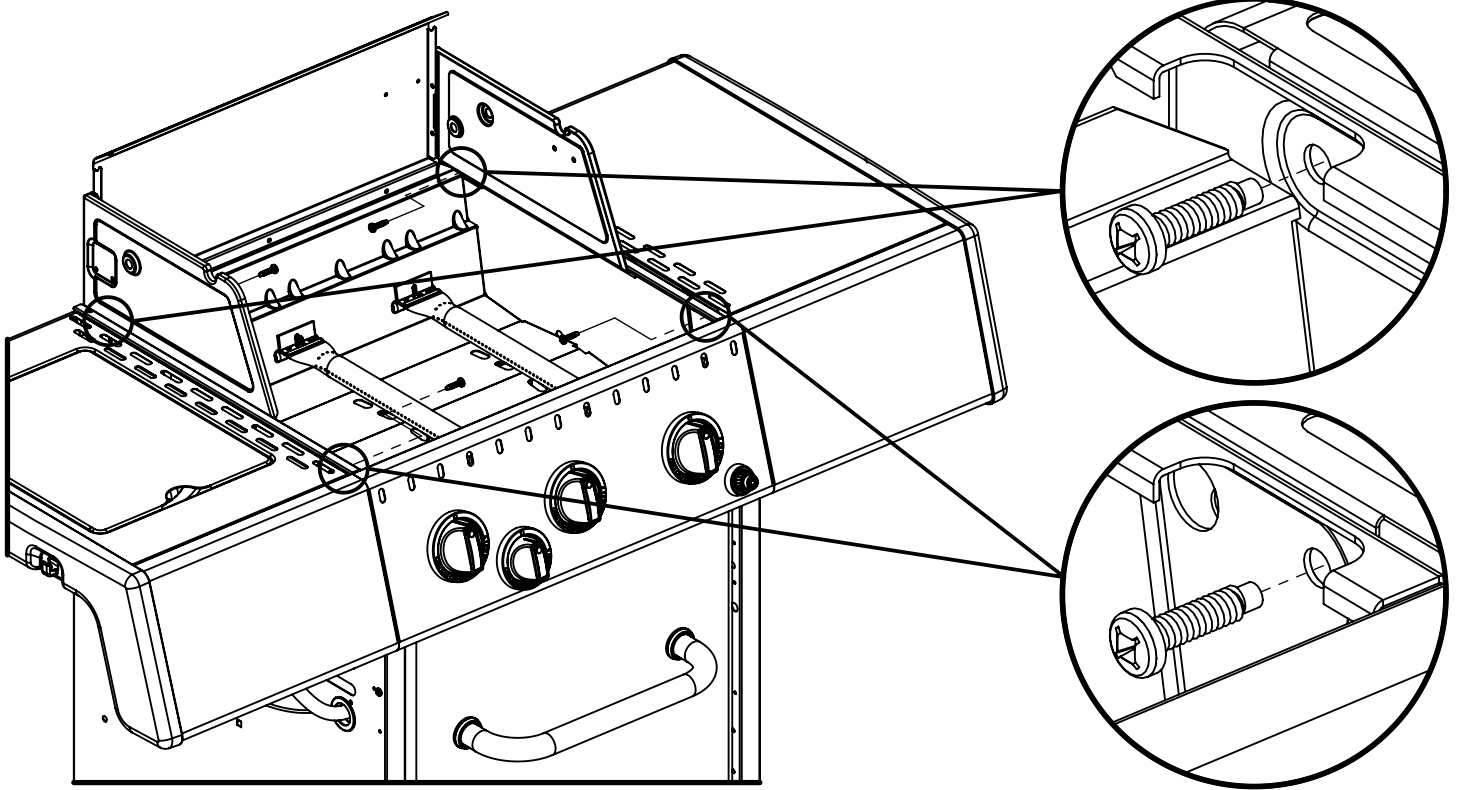


14

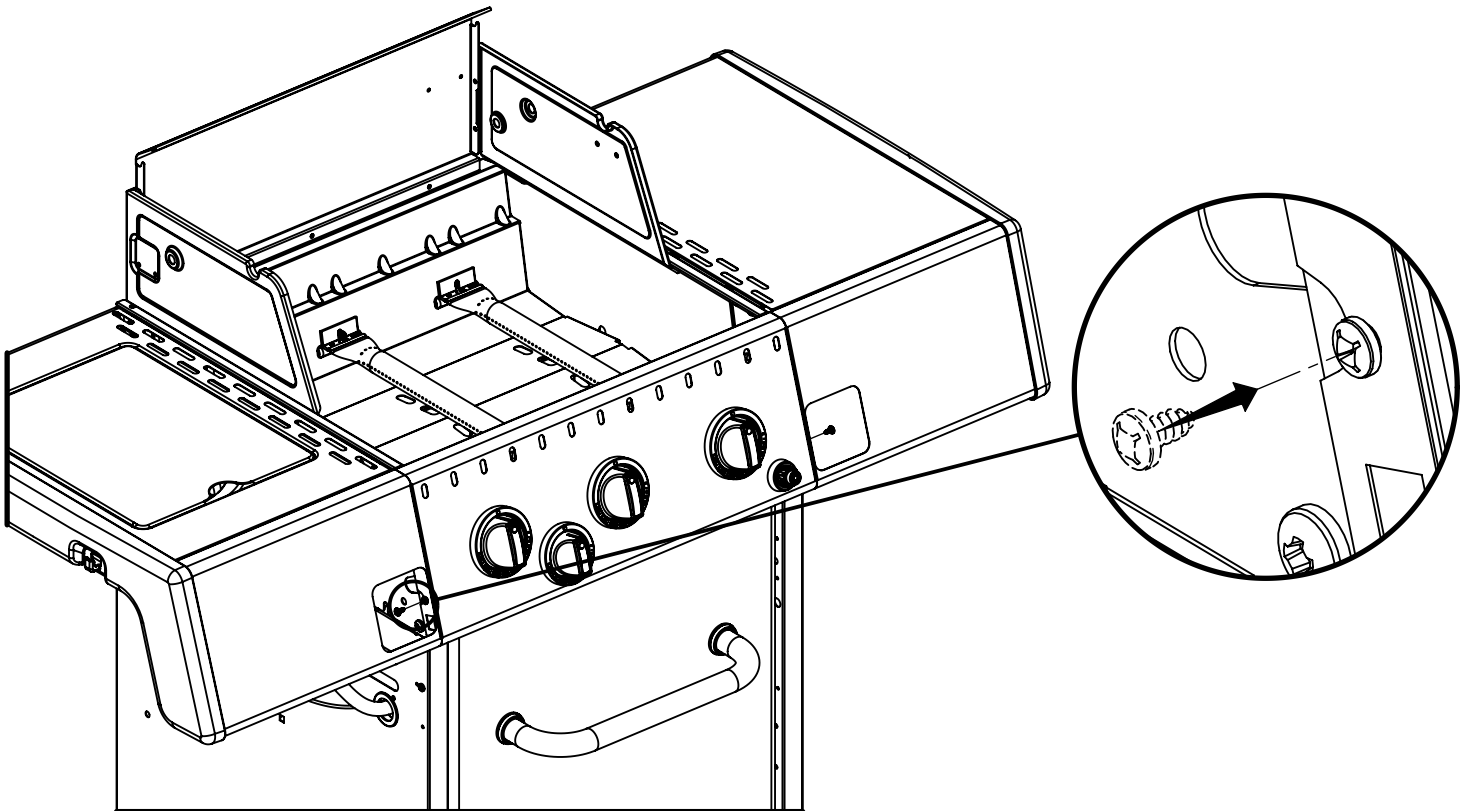


**15**

(4) 

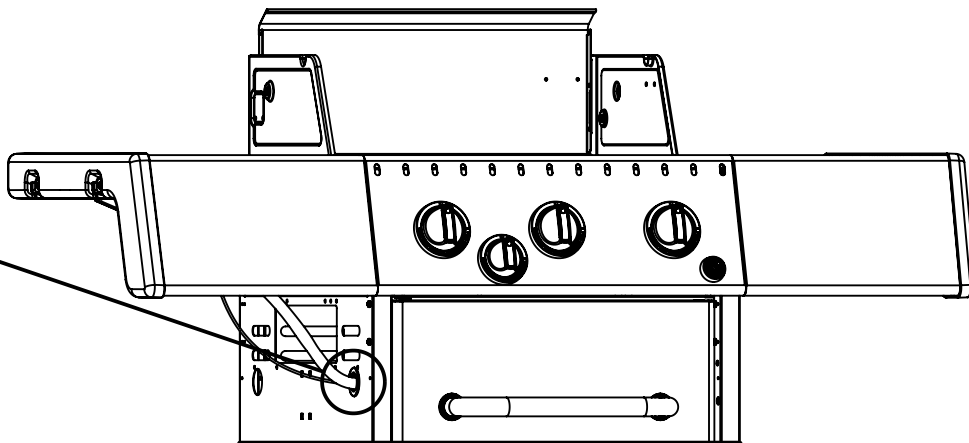
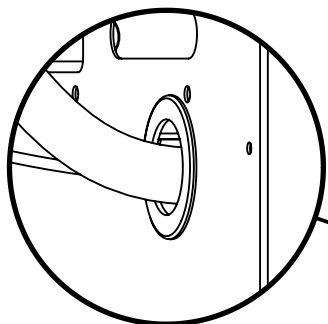
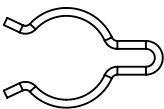


**16**

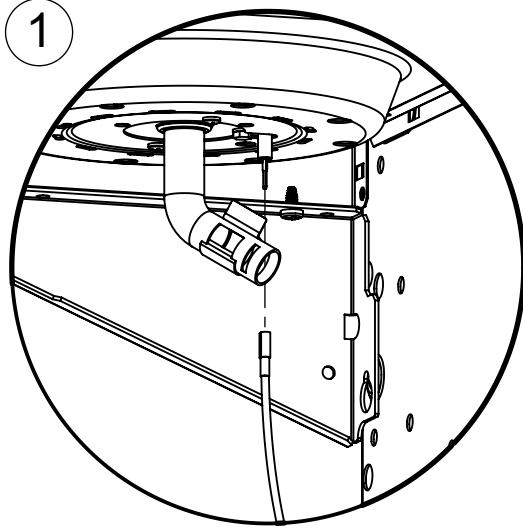


17

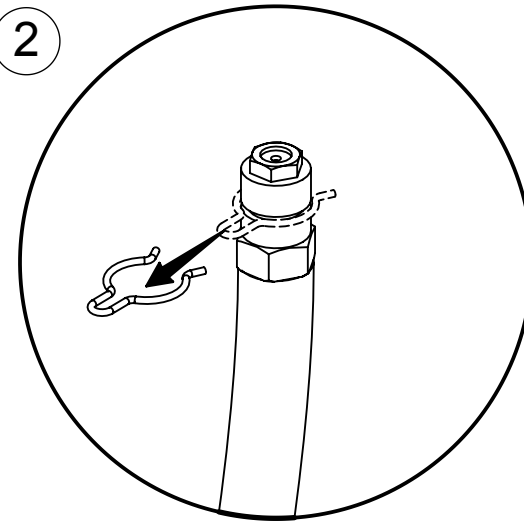
(1)



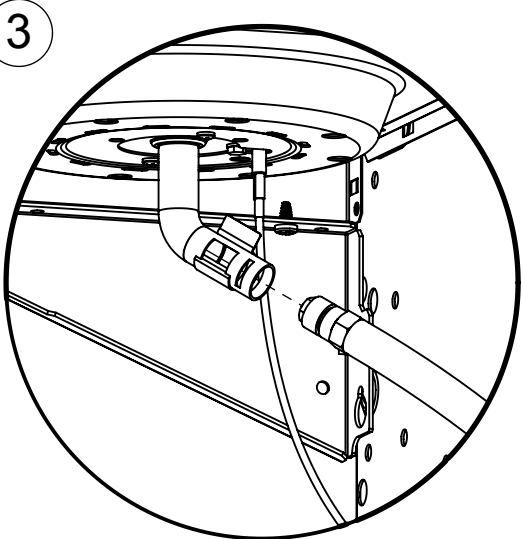
1



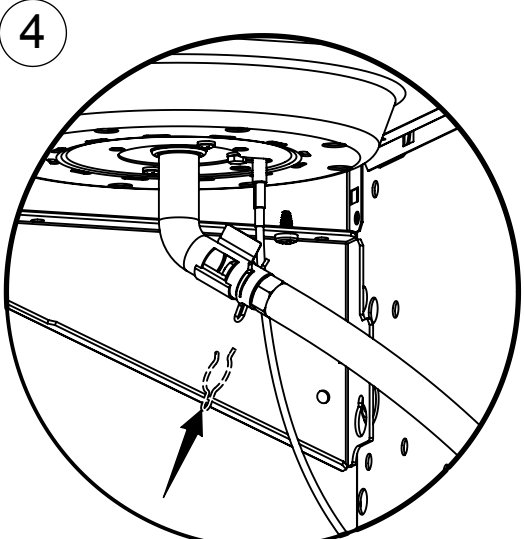
2



3

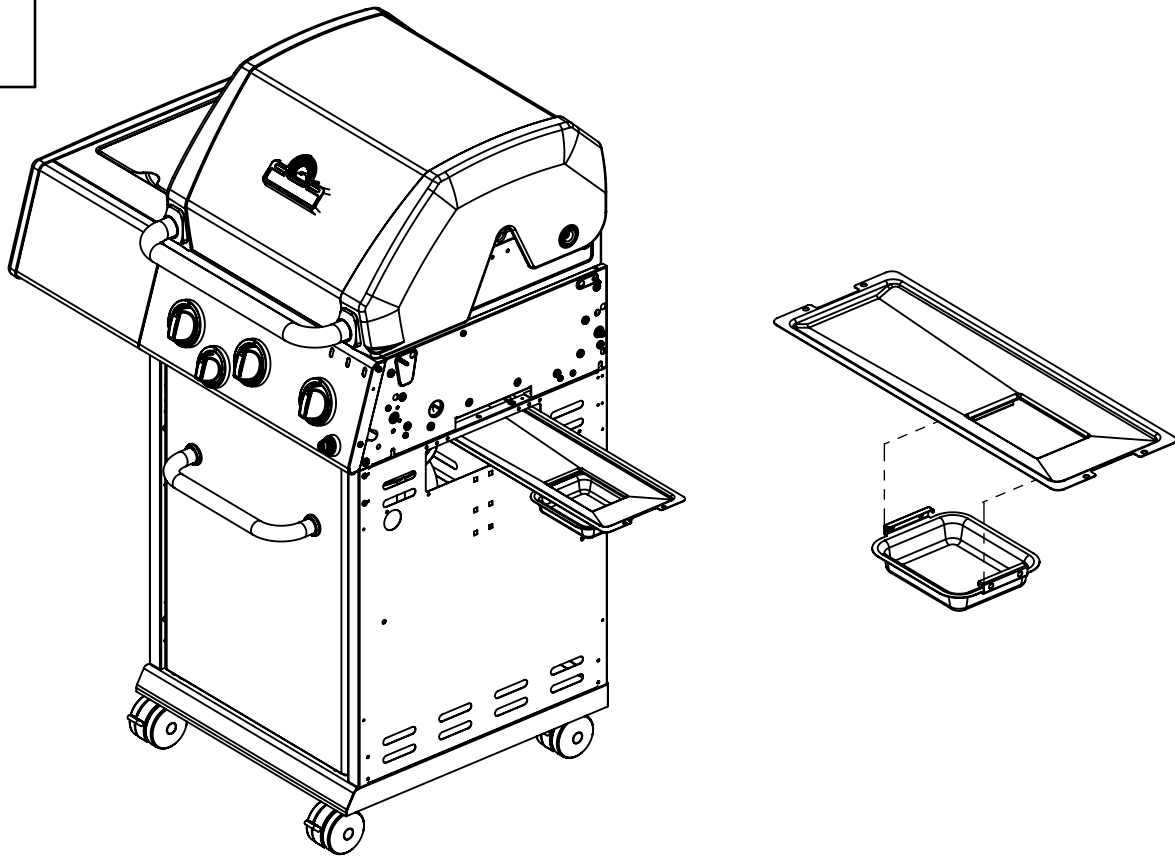


4

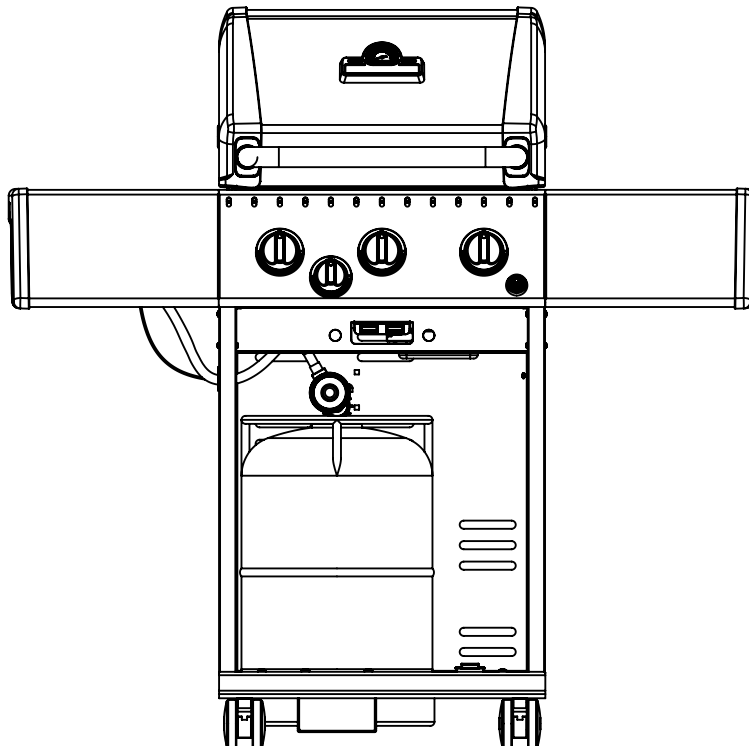




20



21



KEY #	ITEM #	DESCRIPTION	681153	681163	KEY #	ITEM #	DESCRIPTION	681153	681163
1	56104-831	LID - SIDE PANEL - LEFT	1	1	66	21039-301	TANK BRACKET	1	1
2	56104-811	LID - SIDE PANEL - RIGHT	1	1	67	51334-211	MAGNET BRACKET	1	1
3	56314-804	LID - OUTER PANEL	1	1	68	57139-13	CONNECTION BRACKET	4	4
4	56244-30	LID - INNER PANEL	1	1	73	51039-951	CASTER BRACKET	4	4
7	24004-12A	HANDLE	1	1	74	10892-23	CASTER	4	4
8	24009-936	HANDLE BEZEL	2	2	80	53104-11	SIDE SHELF	1	1
9	44080-60	NAMEPLATE	1	1	53104-13	SIDE SHELF	1	1	•
10	10571-5	HEAT INDICATOR	1	1	53104-15	SIDE SHELF - SIDE BURNER	•	•	1
11	52114-131R	PANEL - SIDE UPPER - LEFT	1	1	53184-118	SIDE SHELF - END CAP	1	1	1
12	52114-111R	PANEL - SIDE UPPER - RIGHT	1	1	53184-138	SIDE SHELF - END CAP	1	1	1
15	56004-001P	FIREBOX	1	1	10390-E10D	SIDE BURNER	•	•	•
17	27247-904	GREASE SHEILD	1	1	10390-E10E		•	•	1
18	52064-91	HEAT SHEILD - FRONT	1	1	530004-271	SIDE BURNER - BODY	1	1	1
19	52044-92	HEAT SHEILD - REAR	1	1	53000-251	SIDE BURNER - COVER	1	1	1
22	52303-121	PANEL - REAR	1	1	63139-981	SIDE BURNER GRID	1	1	1
23	52313-151	PANEL - HOOD	•	•	10342-T21	SIDE BURNER ELECTRODE	1	1	1
25	52909-104D	BURNER - MAIN	•	•	53404-114	SIDE SHELF FRONT	2	2	2
	52909-104E		3	3	23030-611	SIDE SHELF - BRACKET - RIGHT	1	1	1
	52909-104EN		•	•	23030-631	SIDE SHELF - BRACKET - LEFT	1	1	1
26	52224-224	COLLECTOR BOX - FRONT LOWER	1	1	Y-12220	GROMMET	•	•	1
27	52214-224	COLLECTOR BOX - FRONT UPPER	1	1	S21123	SCREW - #8 X 1/2	12	12	12
28	52013-244	CONTROL COVER	•	•	Y-12835	SCREW - #6 X 1/4	•	•	2
	52013-124		1	1	S21125	SCREW - #8 X 3/8	20	20	20
29	59004-012	CONTROL ASSEMBLY	•	•	S21124	SCREW - #8 X 1/2	13	13	13
	59004-013		1	1	Y-12646	SCREW - SHOULDER #8 X 1/2	10	10	10
	59004-016		•	•	Y-29304	SCREW - #10-24 X 3/8	30	30	30
	59004-032		•	•	S35094	SCREW - #10-24 X 5/8	1	1	1
	59004-033		•	•	Y-29310	SCREW - #10-24 X 3/4	8	8	8
	59004-036		•	•	Y-12865	SCREW - 1/4-20 X 1/2	60	60	60
30	S13470-073	HOSE - SIDE BURNER	•	•	Y-12860	SCREW - 1/4-20 X 1	2	2	2
	S13470-079		•	•	Y-11546	SCREW - SHOULDER 1/4-20 X 5/8	6	6	6
	S13470-118		•	•	Y-29307	NUT - #10-24	2	2	2
38	22002-268	CONTROL BEZEL	3	3	Y-11793	NUT - 1/4-20	2	2	2
39	22001-168	CONTROL BEZEL	•	•	Y-11795	NUT - 1/4-20 LOCK	2	2	2
40	10472-K431	CONTROL KNOB	3	3	Y-12857	WASHER	4	4	4
41	10472-K231	CONTROL KNOB	•	•	S21255	WASHER #10	2	2	2
42	10342-244	ELECTRONIC IGNITOR	1	1	Y-12870	WASHER - M4	2	2	2
	10342-245		•	•	S21252	WASHER - M4	12	12	12
43	10342-E13	ELECTRODE	2	2	S21233	CLIP	10	10	10
44	52209-404	FLAV-R-WAVE®	3	3	10240-23	HINGE PIN	2	2	2
45a	52007-281	GRID	1	1	S21242	CLIP	2	2	2
45b	52002-181	GRID	1	1	Y-11544	BURNER SCREW	4	4	4
46	52004-991	GRID - WARMING RACK	1	1	10240-19	DOOR HINGE PIN - TOP	2	2	2
47	57054-902	GREASE TRAY	1	1	10240-20	DOOR HINGE PIN - BOTTOM	2	2	2
48	21034-991	GREASE TRAY - RAIL	2	2	Y-12127	DOOR CLIP	2	2	2
49	52009-902	GREASE PAN	1	1	Y-12124	DOOR HINGE COVER	2	2	2
50	51174-131A	DOOR	1	1	Y-12222	MAGNET	2	2	2
57	21106-13	DOOR HANDLE	1	1	Y-12223	MAGNET - SNAP IN	2	2	2
58	21070-13	HANDLE BEZEL	2	2	Y-11235	LID BUMPER	4	4	4
60	21109-905	CABINET - SIDE PANEL	2	2	Y-11231	LID BUMPER - ROUND	2	2	2
61	21303-925	CABINET - REAR PANEL	1	1	20005-000	MATCH LIGHT CHAIN	1	1	1
65	51614-235	CABINET - LOWER BASE	1	1					

