

This Owner's Manual is provided and hosted by [Appliance Factory Parts](#).



# HUNTINGTON 6821-63 Owner's Manual

[Shop genuine replacement parts for HUNTINGTON  
6821-63](#)



[Find Your HUNTINGTON Grill Parts - Select From 154 Models](#)

----- Manual continues below part list -----

## Available Replacement Parts for HUNTINGTON 6821-63

<a href="#">18013</a>	LID HEAT INDICATOR - LARGE - SS
<a href="#">S21233</a>	HITCH PIN CLIP +
<a href="#">Y-12860</a>	SCREW-THCP 1/4-20 X 1-TY-C A04
<a href="#">Y-11793</a>	NUT HEX 1/4 20 JS500 +
<a href="#">S21123</a>	SCREW TRUSS HD PHIL-#8 X 1/2
<a href="#">Y-12646</a>	SCREW PHCP SHL.8X1/2 TY-AB +
<a href="#">Y-12835</a>	SCREW-PHCP 6-32X1/4 TY-F JS500
<a href="#">Y-29307</a>	NUT HEX #10-24 JS500
<a href="#">Y-11230</a>	HAIRPIN COTTER SIDE BURNER +
<a href="#">S21362</a>	REAR BURNER SPRING
<a href="#">Y-11546</a>	SCREW PHCP 1/4-20X5/8 INCH A04#A
<a href="#">Y-11795</a>	NUT LOCKING
<a href="#">S21124</a>	SCREW PHCP #8 X 12 +
<a href="#">Y-29304</a>	SCREW PHCP #10 24x3/8
<a href="#">Y-12220</a>	S/B BUSHING SB 1.375 16 HEY
<a href="#">S21125</a>	SCREW 8 X 3/8 PAN HEAD
<a href="#">S15263</a>	ROTISSERIE BUSHING
<a href="#">S15299</a>	WASHER COUNTERWEIGHT ROTIS
<a href="#">S15270</a>	ROTISSERIE COUNTERWEIGHT ASSY
<a href="#">S15271</a>	ROTISSERIE HANDLE +
<a href="#">S35094</a>	SCREW #10-24 X 5/8
<a href="#">S21061</a>	WING NUT STAMPED 10-24
<a href="#">10342-246</a>	IGNITOR ELECTRONIC TRIPLE +
<a href="#">Y-11231</a>	LID BUMPER ROUND BLK
<a href="#">Y-12223</a>	MAGNET SNAP IN - DOOR
<a href="#">Y-12222</a>	MAGNET - DOOR
<a href="#">10342-E13</a>	ELECTRODE W/WIRE
<a href="#">S15245</a>	ROTIS MOTOR-220V AC +
<a href="#">S15259</a>	SPIT ROD 37 INCH CRS BRGHT NICKEL
<a href="#">10240-20</a>	DOOR PIN TOP

<a href="#">10240-19</a>	DOOR PIN BOTTOM
<a href="#">Y-12124</a>	DOOR PIN CAP BOTTOM
<a href="#">27055-901</a>	GREASE TRAY PORC FORMED 440 +
<a href="#">52045-92</a>	FIREBOX 440 HEAT SHIELD REAR
<a href="#">52315-151</a>	FIREBOX 440 HOOD PANEL PORC
<a href="#">18431</a>	FLAV-R-WAVE - BARON - SS
<a href="#">10240-23</a>	LID PIN 1/4-20
<a href="#">Y-12127</a>	DOOR CLIP UPPER
<a href="#">Y-29310</a>	SCREW #10-24 3/4 TRUSS QU
<a href="#">52305-121</a>	FIREBOX 440 OUTER REAR
<a href="#">20005-000</a>	HARDWARE BAG STICK & CHAIN SS
<a href="#">10892-23</a>	CASTER RUBBER 3 INCH W/PLATE
<a href="#">44089-60</a>	NAMEPLATE PATRIOT
<a href="#">51175-111A</a>	DOOR ASSEMBLY 440 RHS BLACK
<a href="#">51175-131A</a>	DOOR ASSEMBLY 440 LHS BLACK
<a href="#">51175-114A</a>	DOOR ASSEMBLY 440 RHS SS
<a href="#">51175-134A</a>	DOOR ASSEMBLY 440 LHS SS
<a href="#">54009-936</a>	HANDLE BEZEL - CHROME
<a href="#">10693-099</a>	ORIFICE SPUD 0.99MM 5/16 32
<a href="#">10342-T21</a>	ELECTRODE WIRE S/B 35 INCH
<a href="#">51039-951</a>	CASTER BRACKET BLACK 330/440/550
<a href="#">11241</a>	COOKING GRID - BARON/CROWN/REBEL/PATRIOT
<a href="#">52065-91</a>	FIREBOX 440 HEAT SHIELD FRONT
<a href="#">53184-118</a>	SHELF END CAP RHS 330/440
<a href="#">53184-138</a>	SHELF END CAP LHS 330/440
<a href="#">53404-114</a>	SHELF FRONT FACIA RHS 330/440
<a href="#">57039-901</a>	ROTISSERIE BRACKET BLK
<a href="#">53009-951</a>	SIDE BURNER TRIVET BLK
<a href="#">S15508</a>	REAR BURNER ELECTRODE WIRE +
<a href="#">Y-11235</a>	LID BUMPER HEX-BLK AB
<a href="#">Y-12865</a>	SCREW 1/4 X 20X1/2 TYPE-C PHCP
<a href="#">53104-111</a>	SHELF RHS BLK 330/440
<a href="#">S21242</a>	CLIP BURNER TUBE MOUNT SS

<a href="#">Y-11544S</a>	SCREW - BURNER #10-24 X 3/8
<a href="#">Y-11990</a>	NUT HEX BRASS 3/8 27 RB LINE
<a href="#">24009-936</a>	HANDLE RING
<a href="#">10342-247</a>	IGNITOR ELECTRONIC +
<a href="#">10472-K431</a>	CONTRL KNOB RESIN LRG BLCK W/SS BA STRIP
<a href="#">21071-13</a>	DOOR HANDLE 500 GPB
<a href="#">22001-168</a>	CONTROL KNOB BEZEL SML
<a href="#">22002-268</a>	CONTROL KNOB BEZEL LARGE
<a href="#">24005-12AB</a>	LID-HANDLE BENT,
<a href="#">52809-957</a>	MANIFOLD - REAR BURNER AB
<a href="#">52005-991</a>	WARMING RACK 440 PORC
<a href="#">21035-991</a>	GREASE RAIL 440/500 SABLE BLK
<a href="#">27905-354</a>	BURNER TUBE REAR 500 W/WINDSHIELD
<a href="#">51335-211</a>	TOP MAGNET BRACKET 440 BLACK
<a href="#">52009-901</a>	GREASE PAN - BLACK HIGH HEAT PAINT
<a href="#">57139-13</a>	BRACKET U-CHANNEL REAR 330/440/550
<a href="#">10111-15A</a>	HOSE ASSEMBLY SS
<a href="#">27249-904</a>	GREASE SHIELD MODULAR, 6.5 x 6
<a href="#">22025-903</a>	COLLECTOR BOX ASSY 500 430SS

# HUNTINGTON™

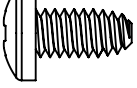
---

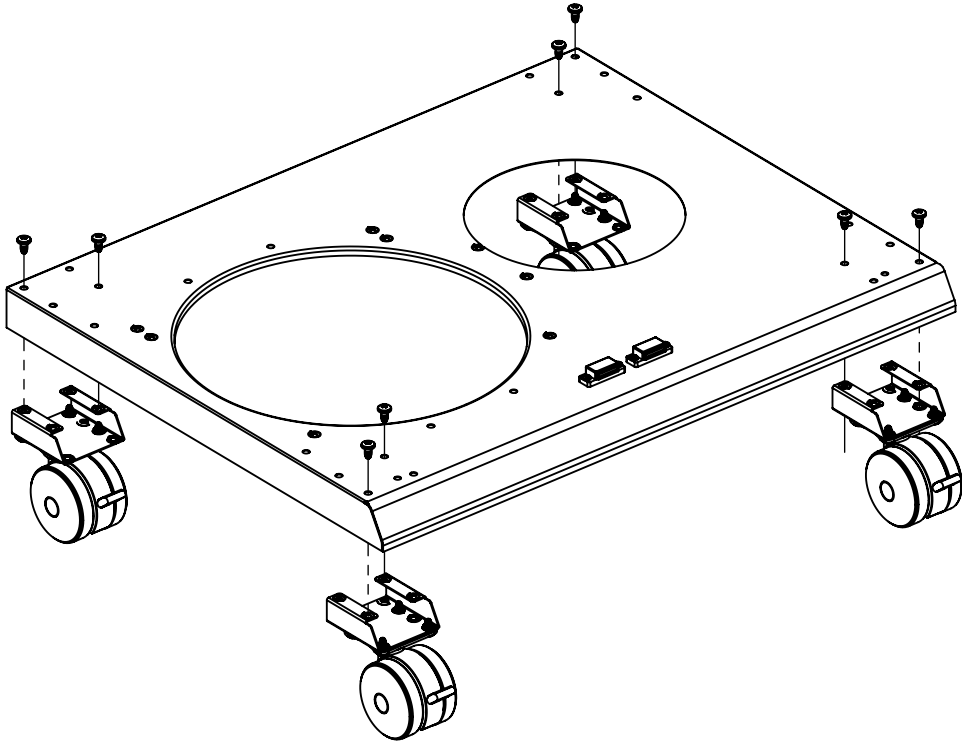
---



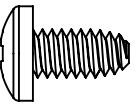
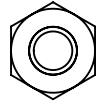
HUNTINGTON™  
682163

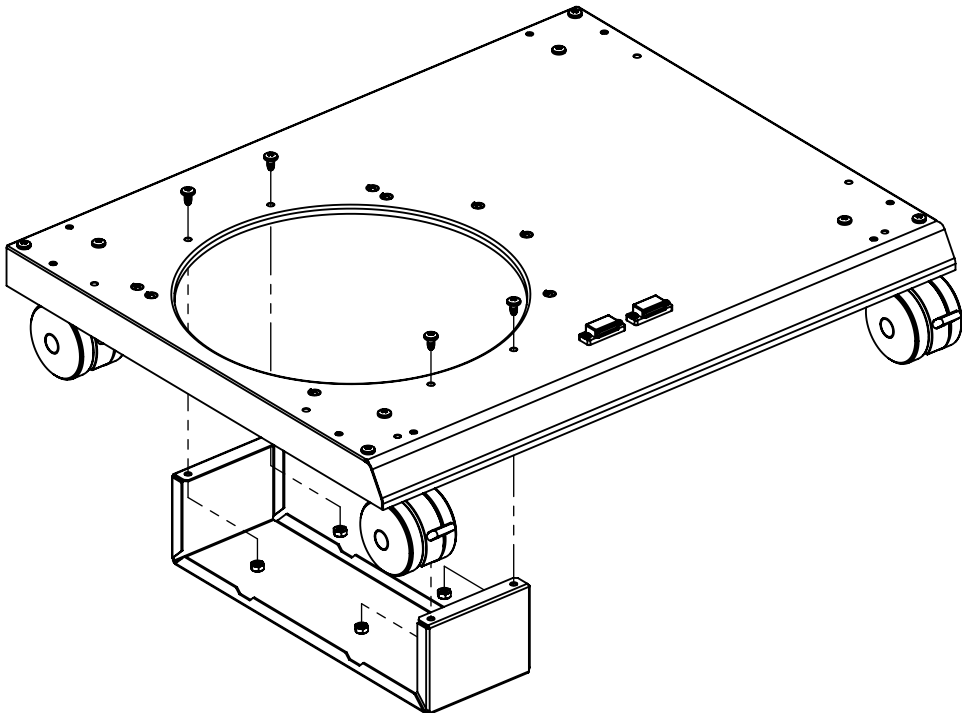
1

(8) 

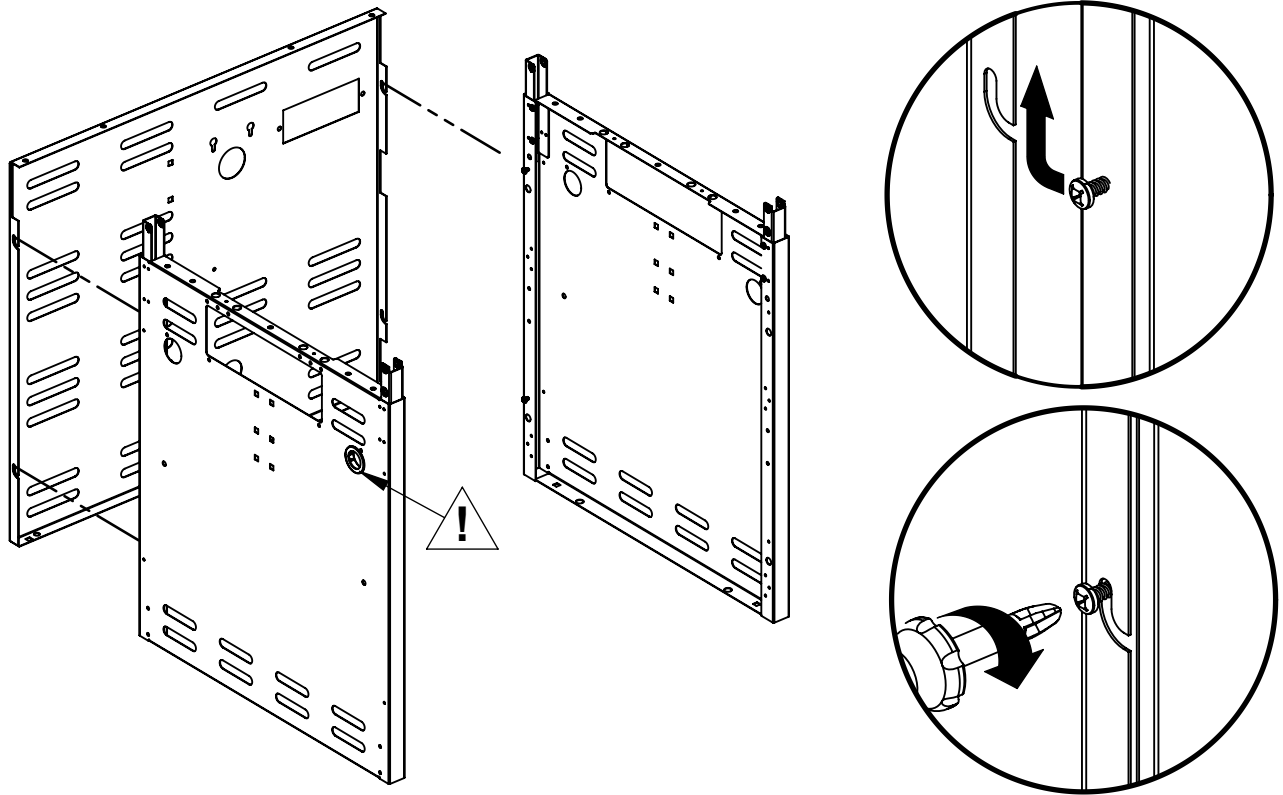


2

(4)  (4) 

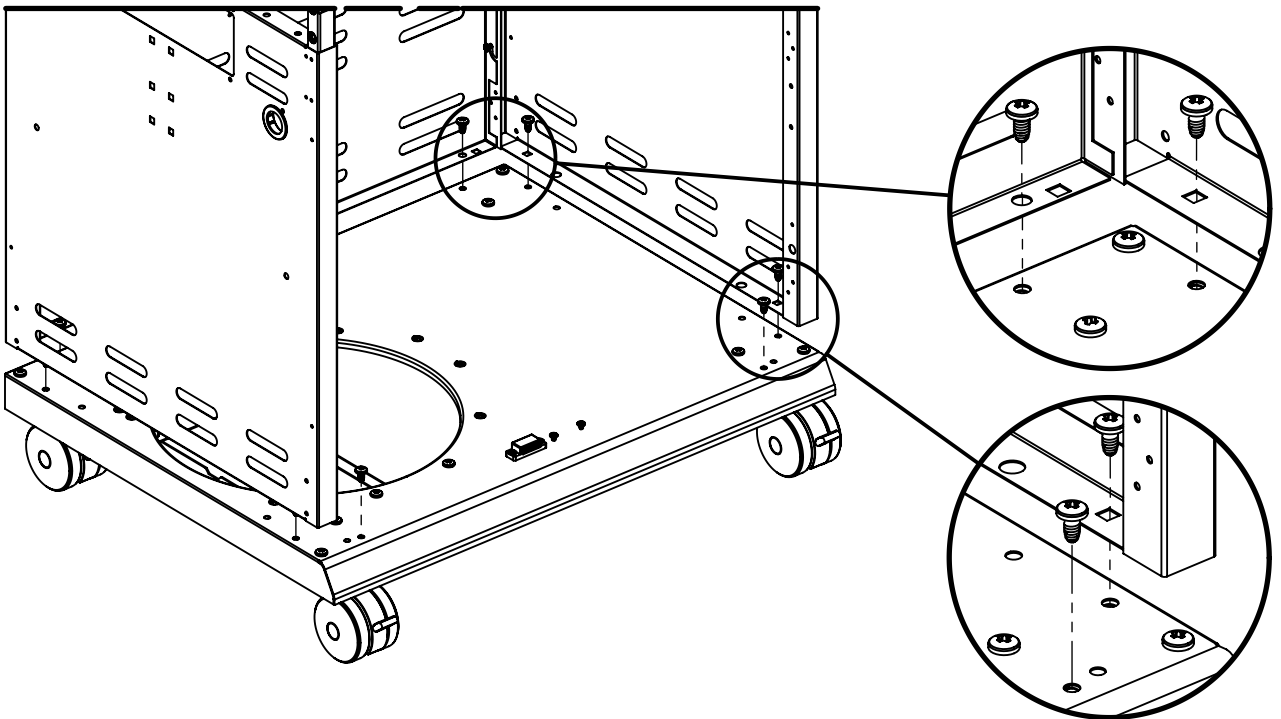
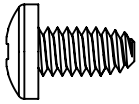


3




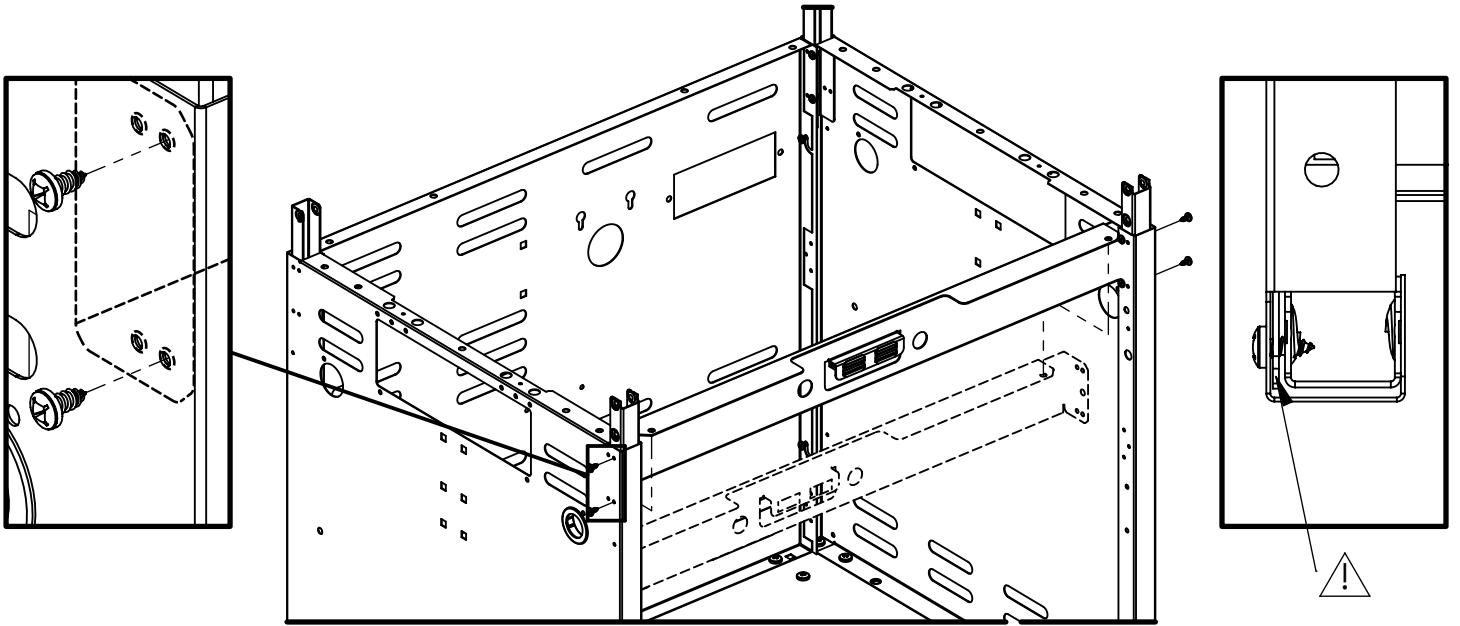
4

(8)



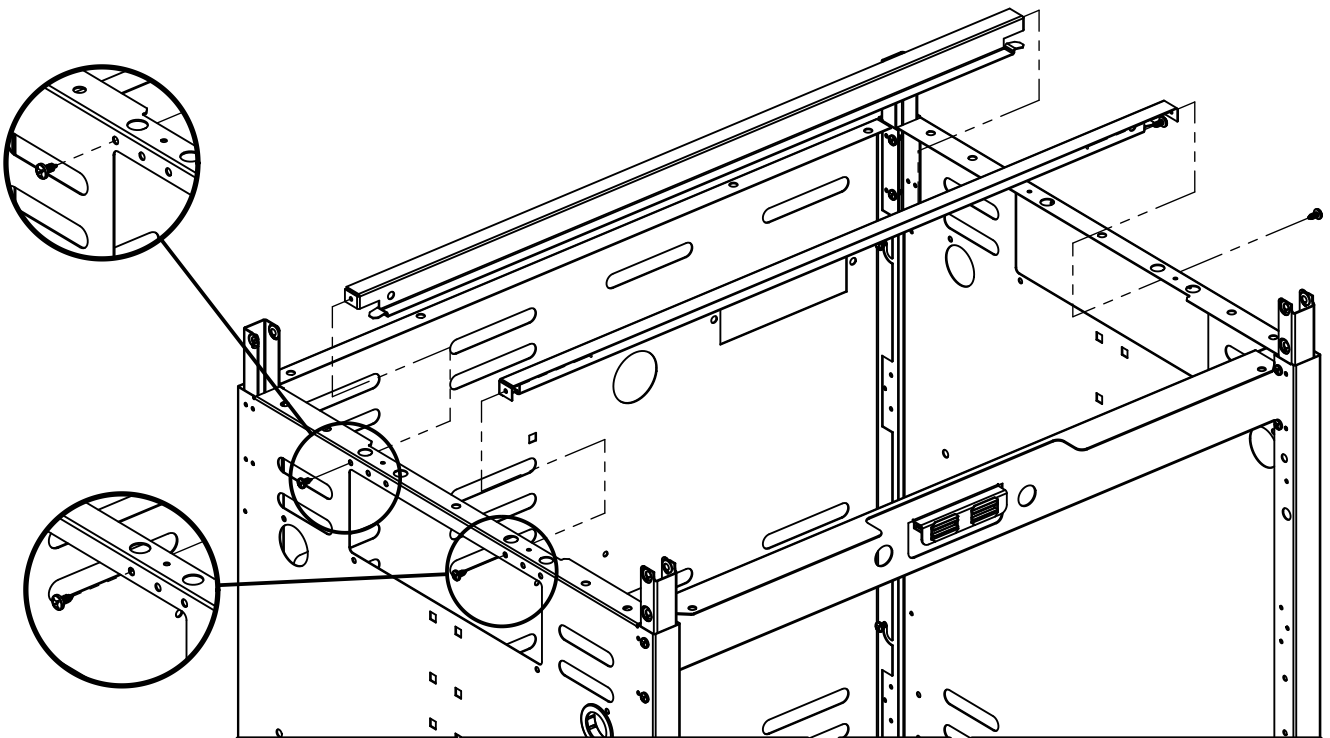
**5**

(4) 

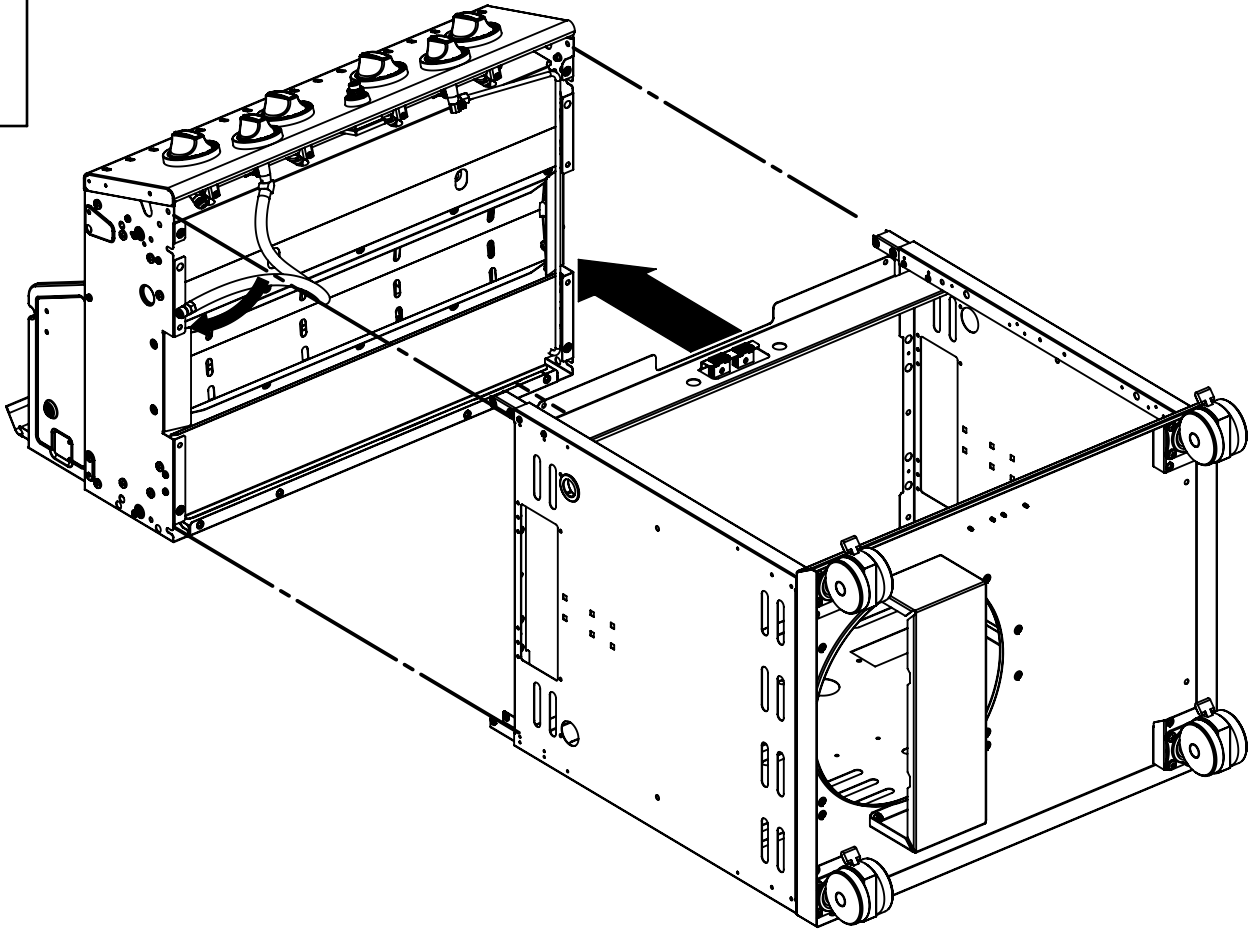


**6**

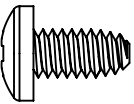
(4) 

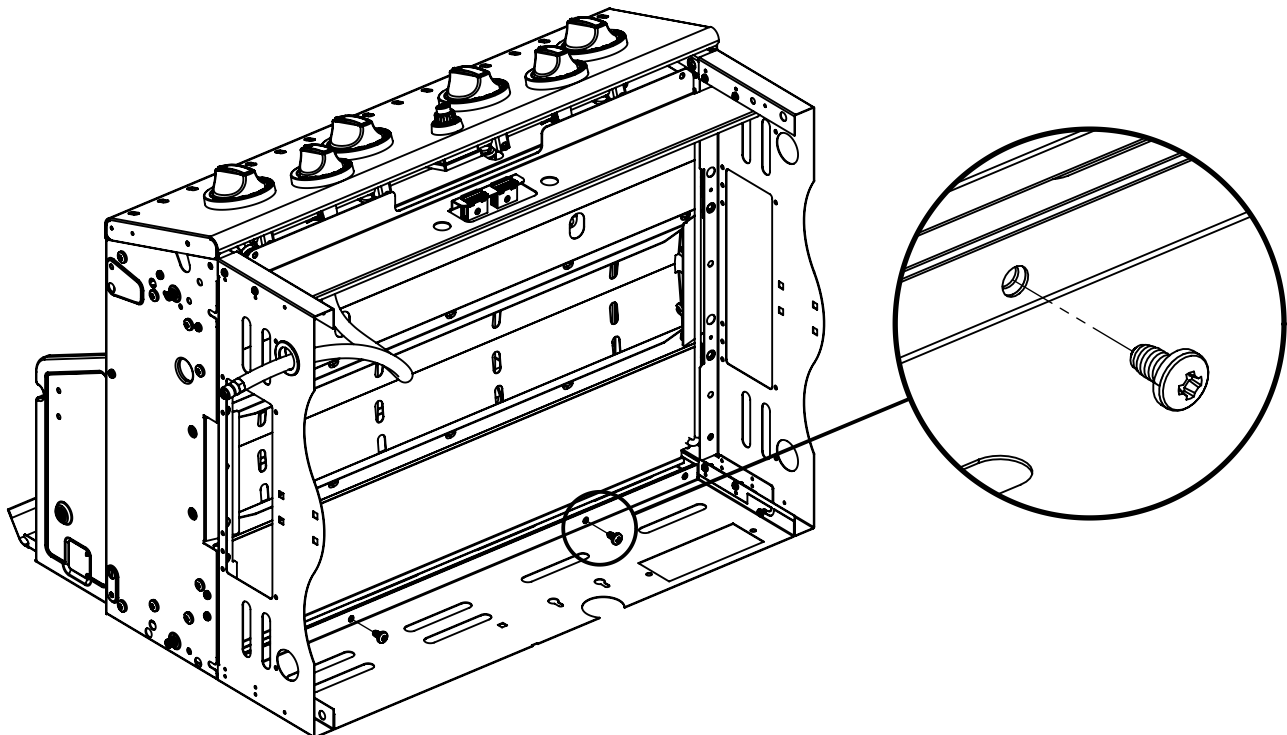


7

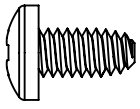


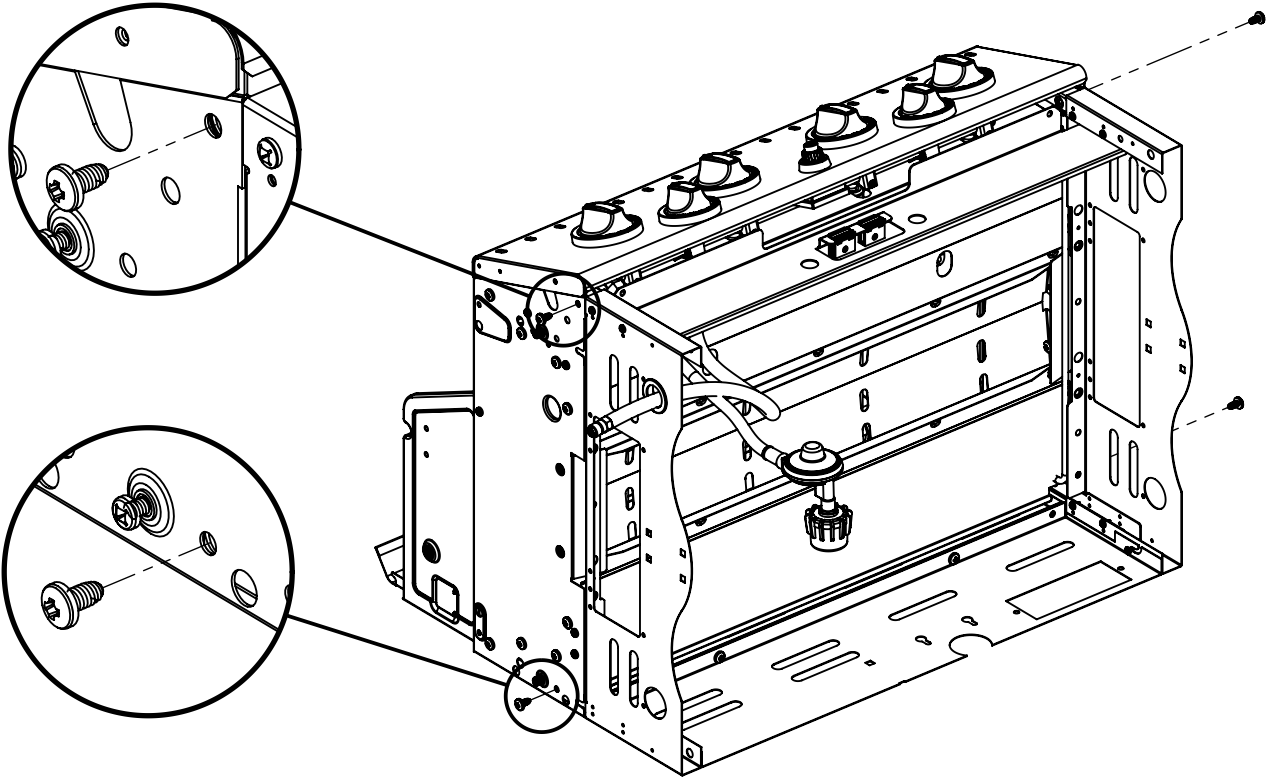
8

(2) 

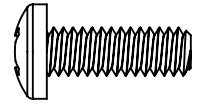
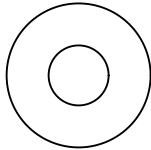


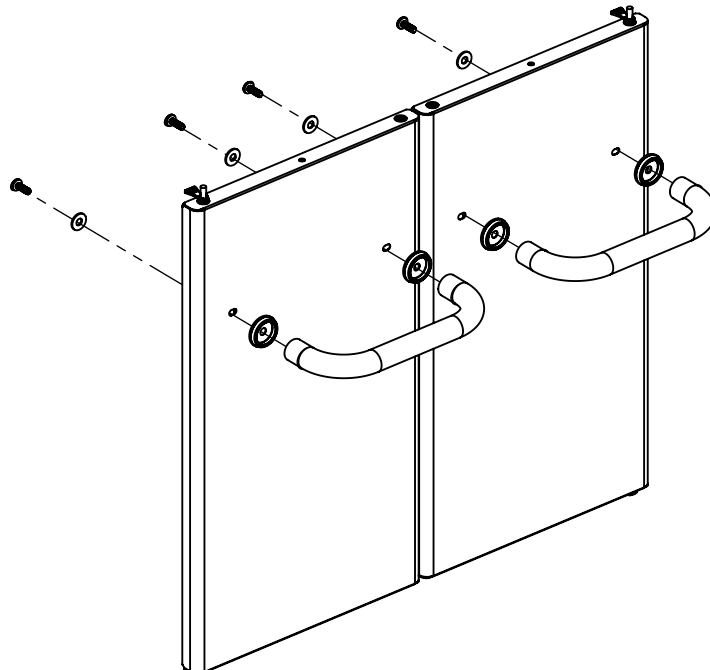
9

(4) 



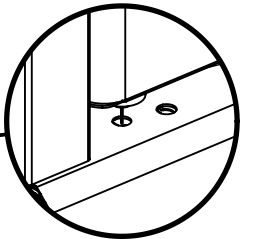
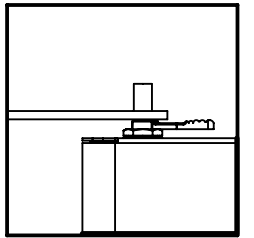
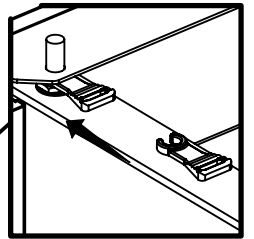
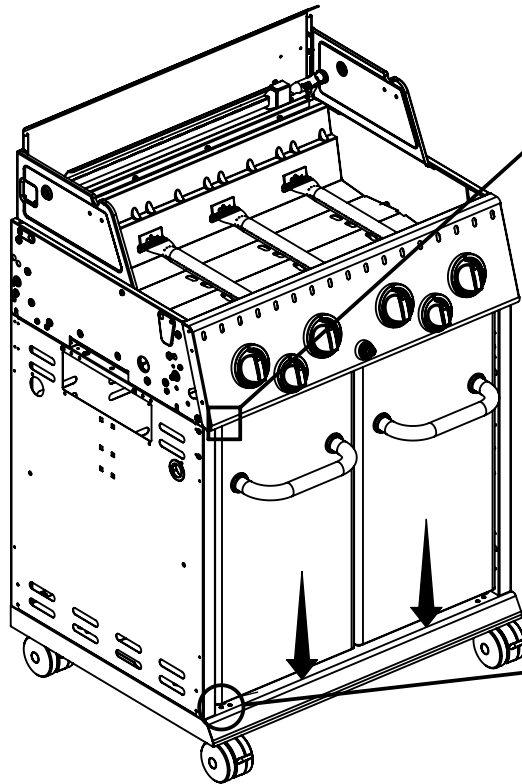
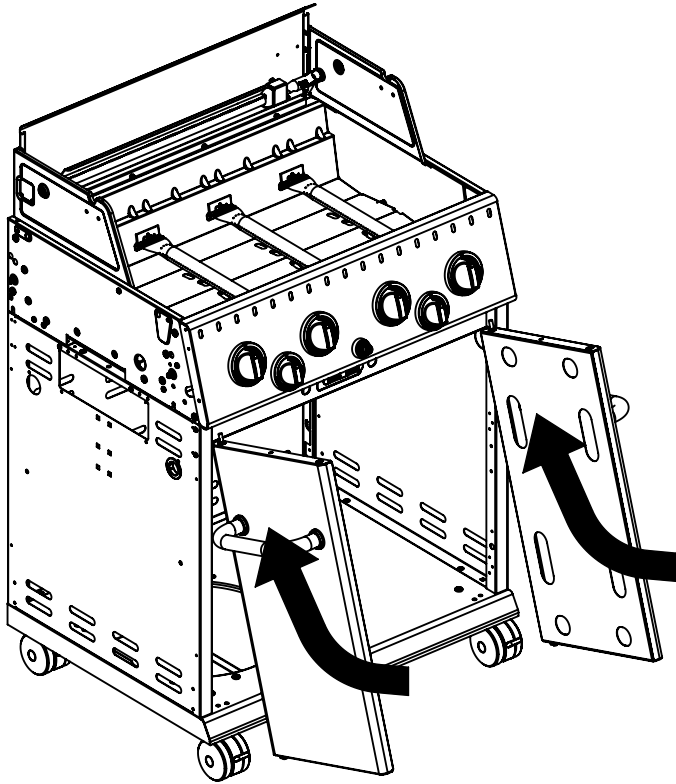
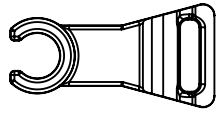
10

(4)  (4) 



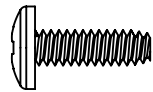
11

(2)

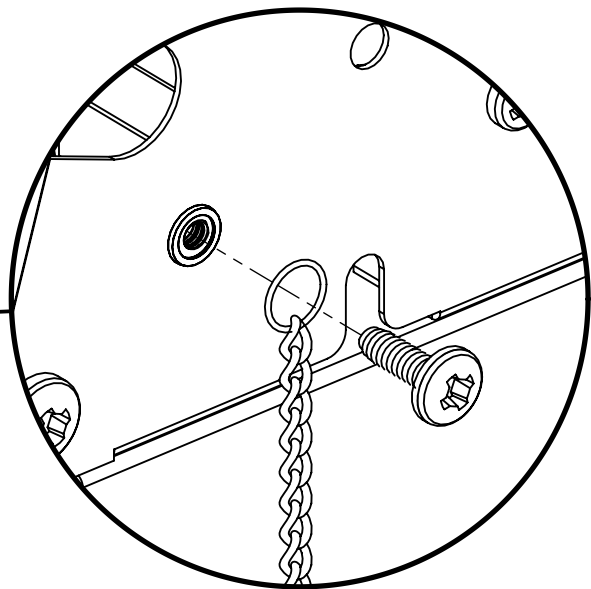
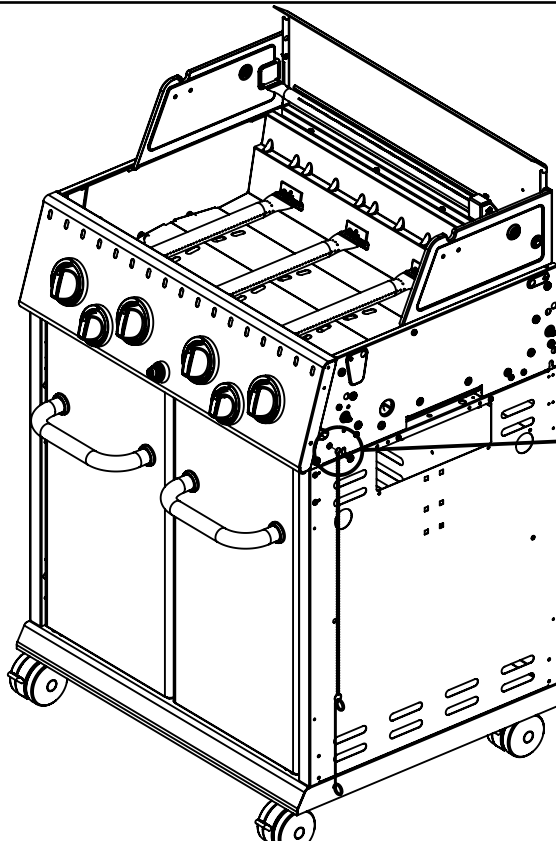
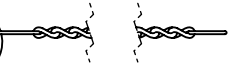


12

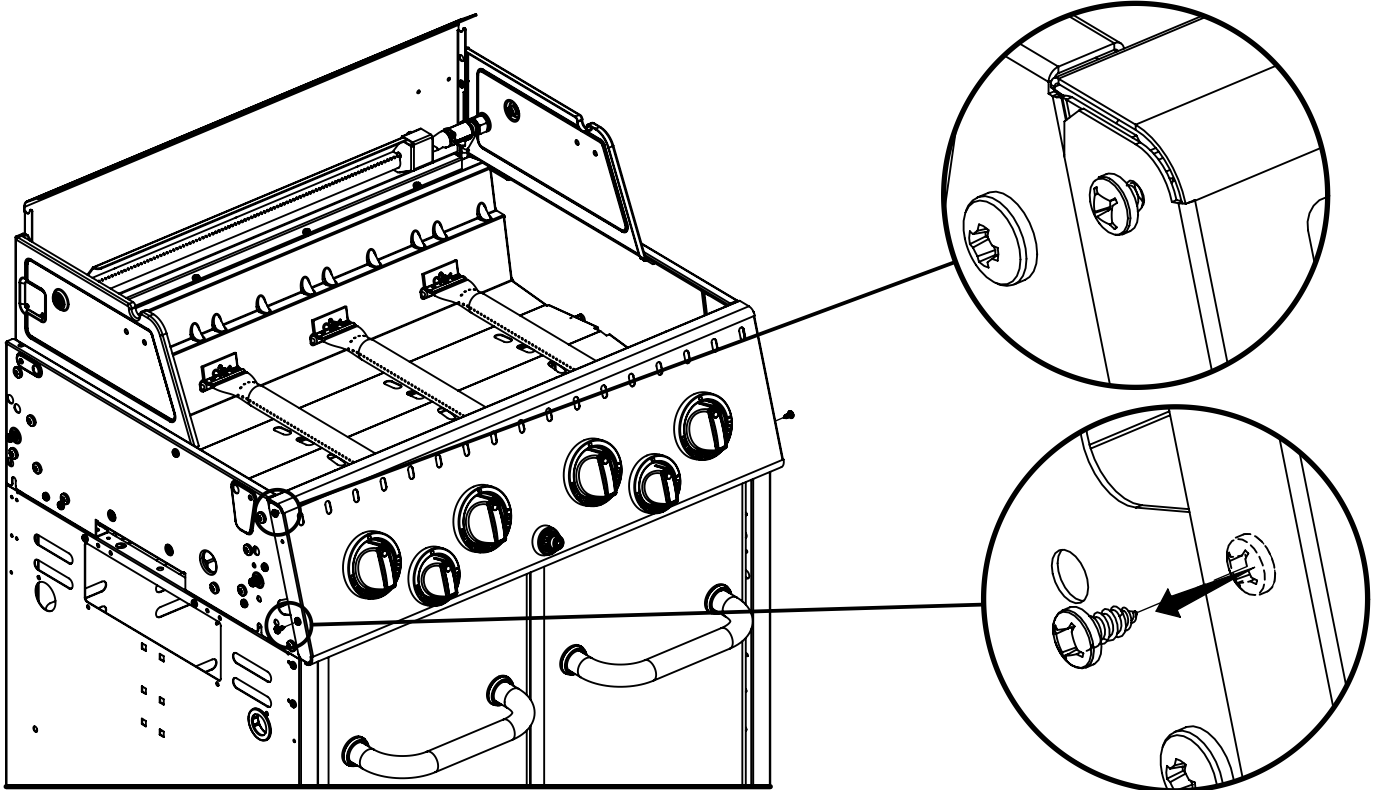
(1)



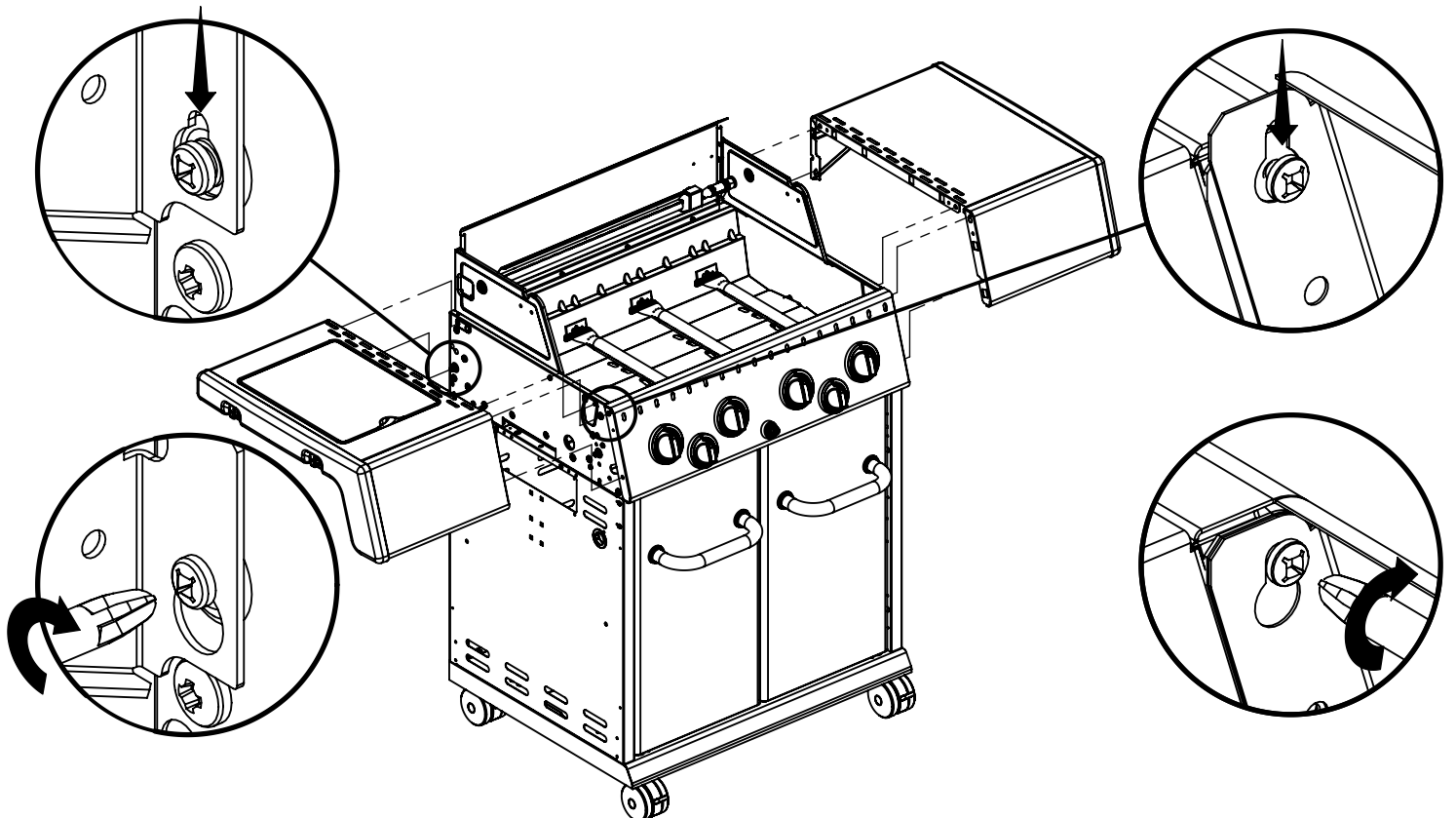
(1)



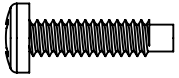
13

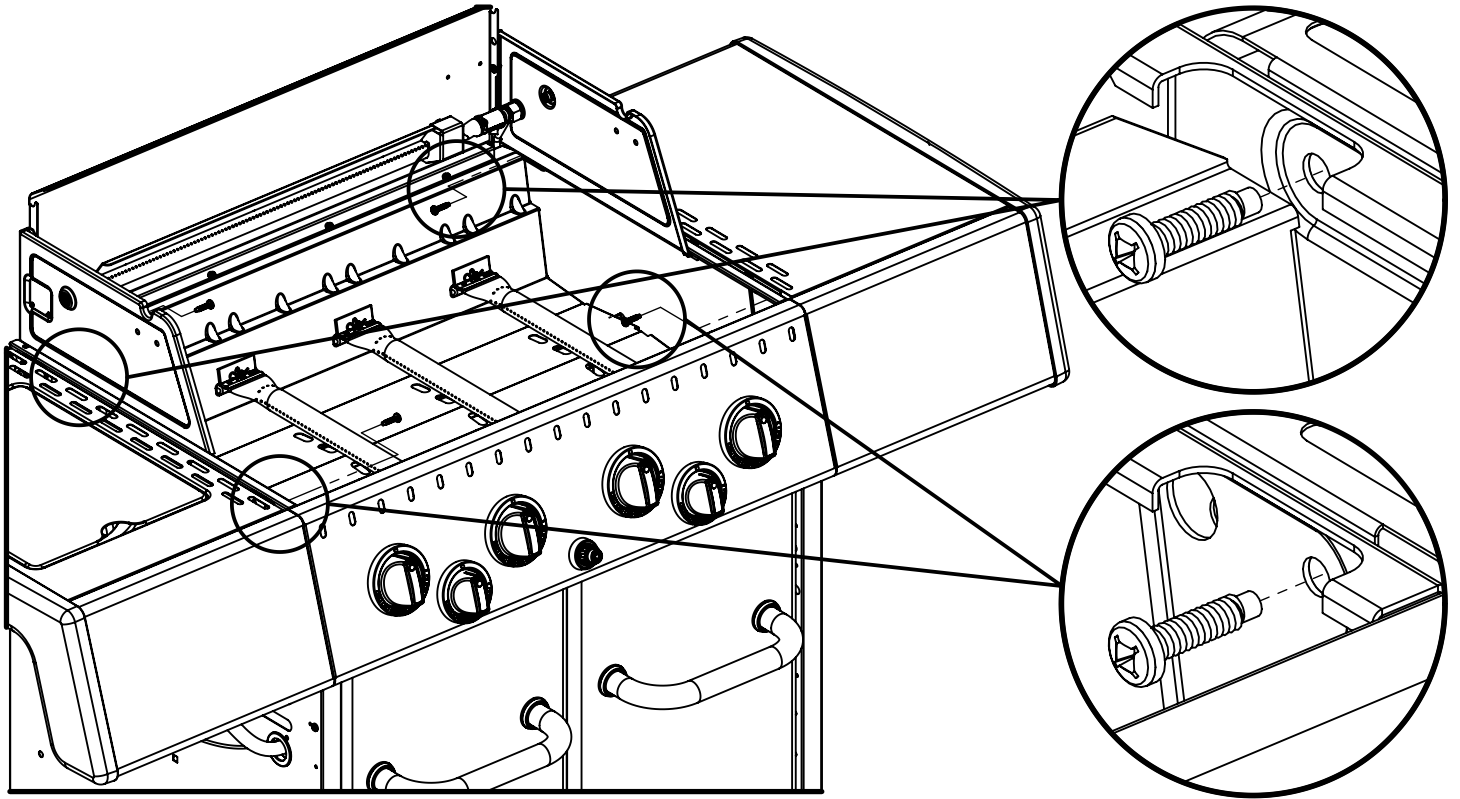


14

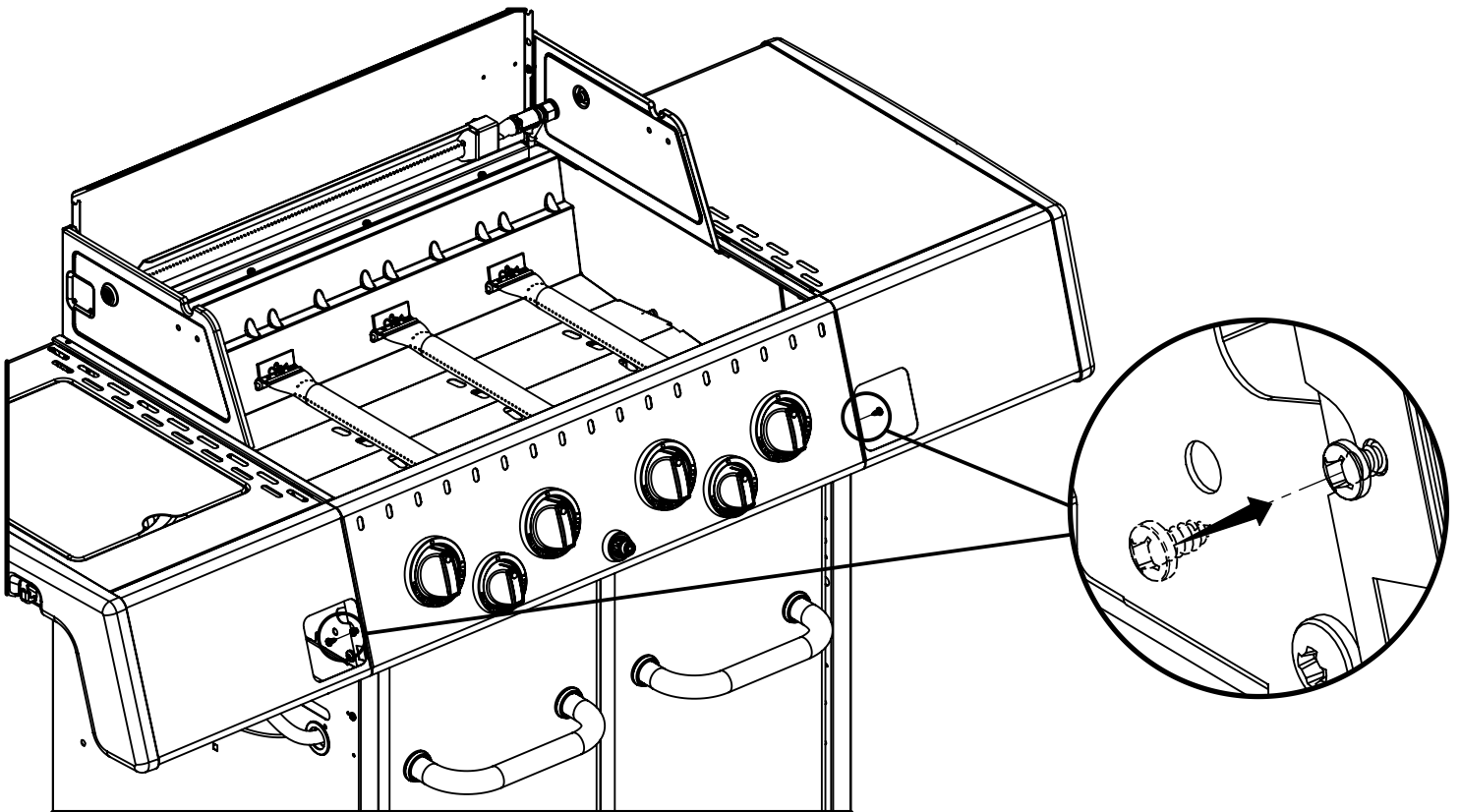


15

(4) 

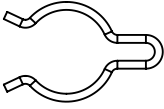


16

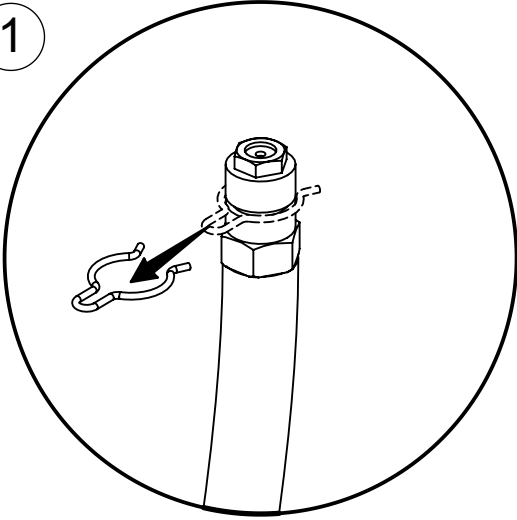


17

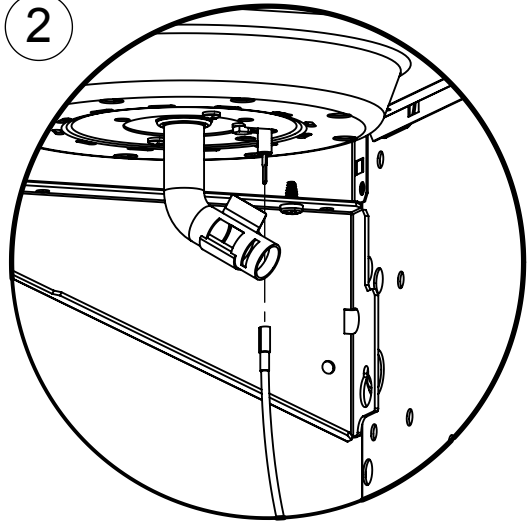
(1)



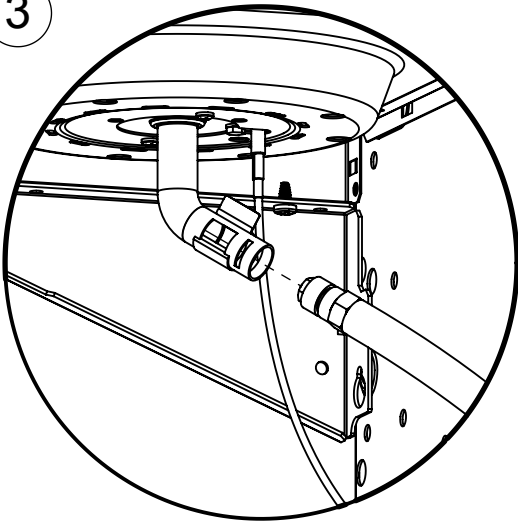
1



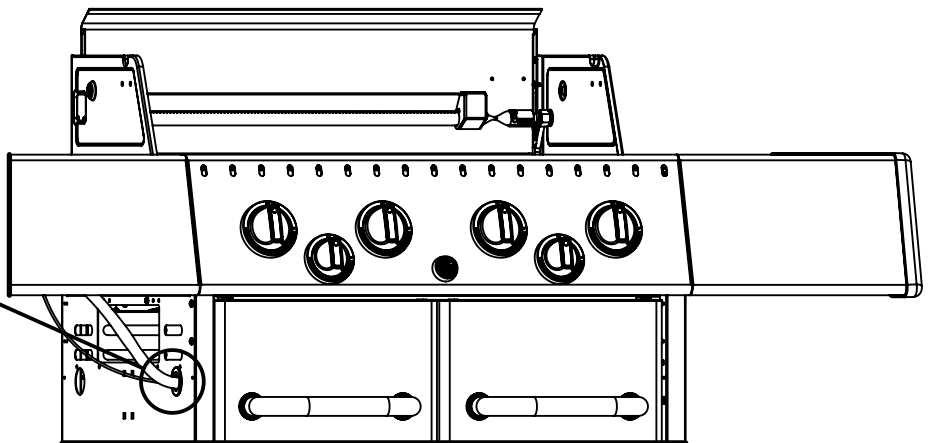
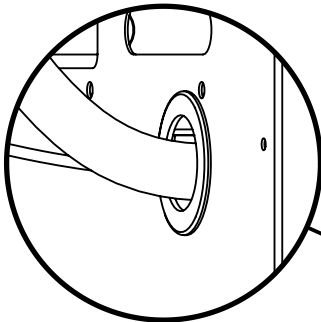
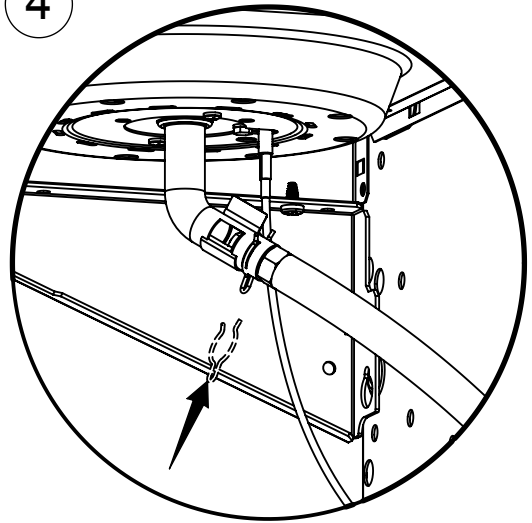
2



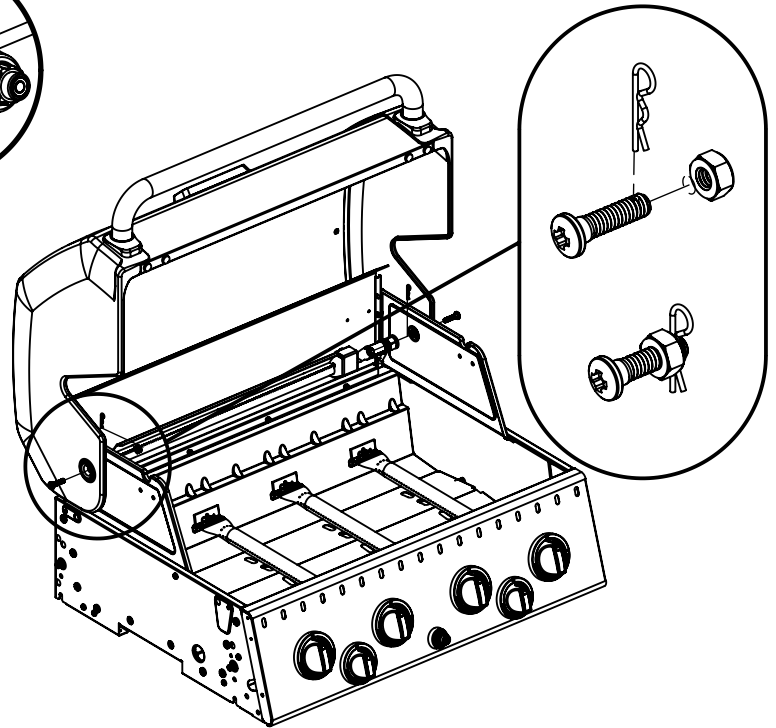
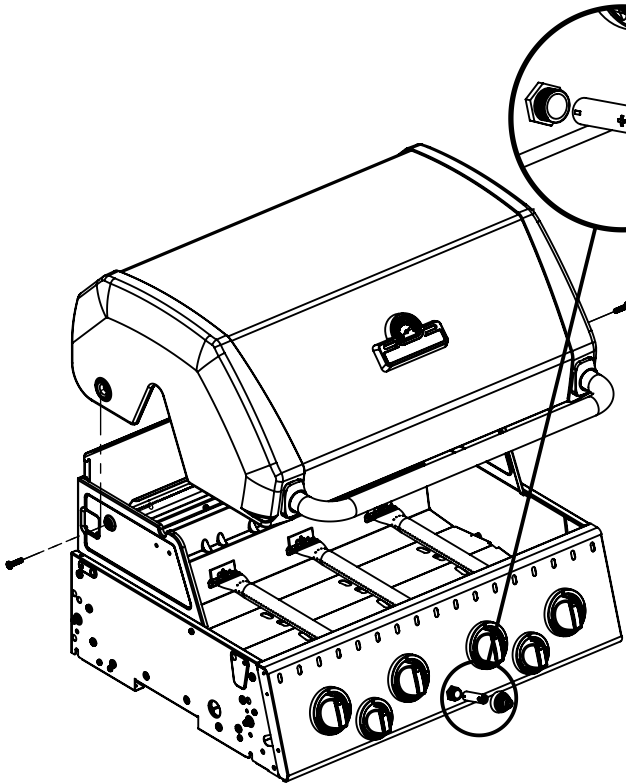
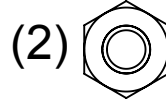
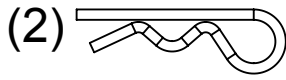
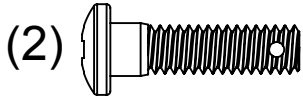
3



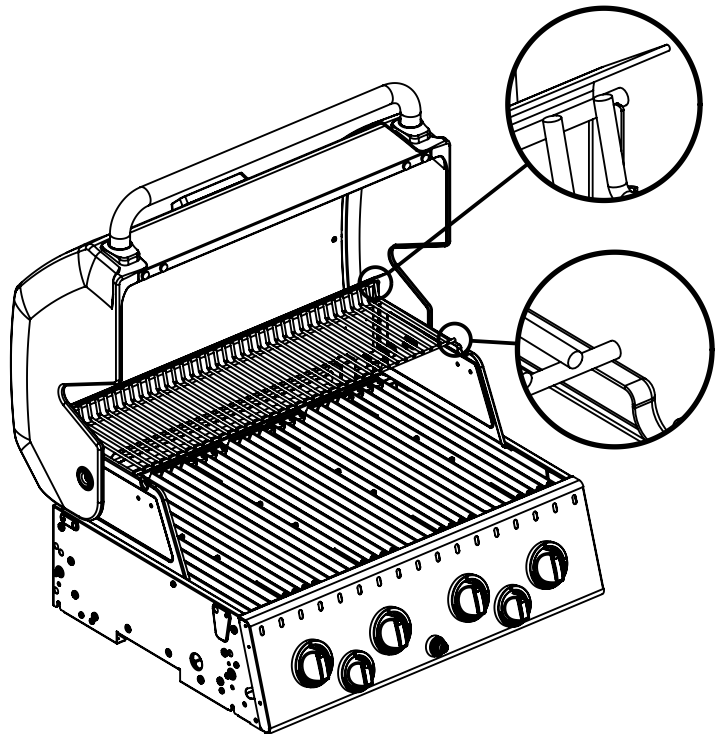
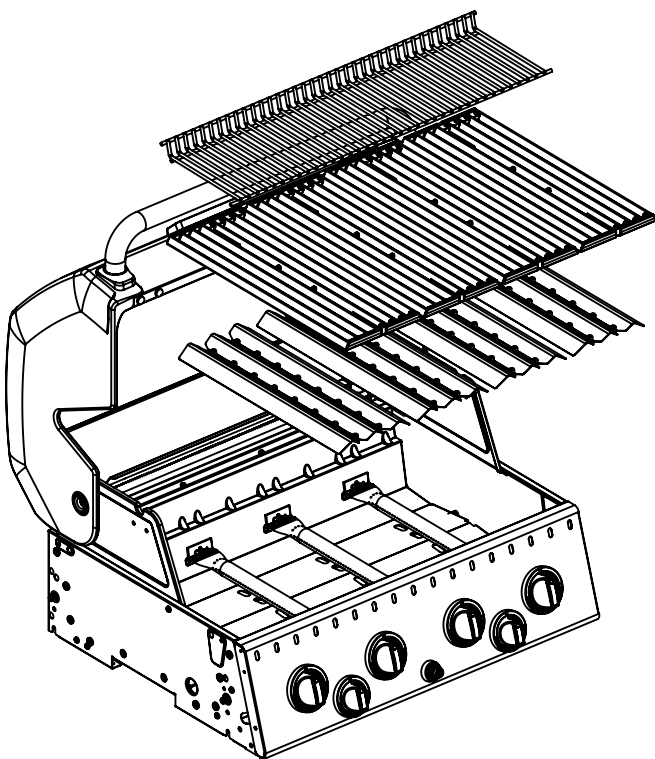
4



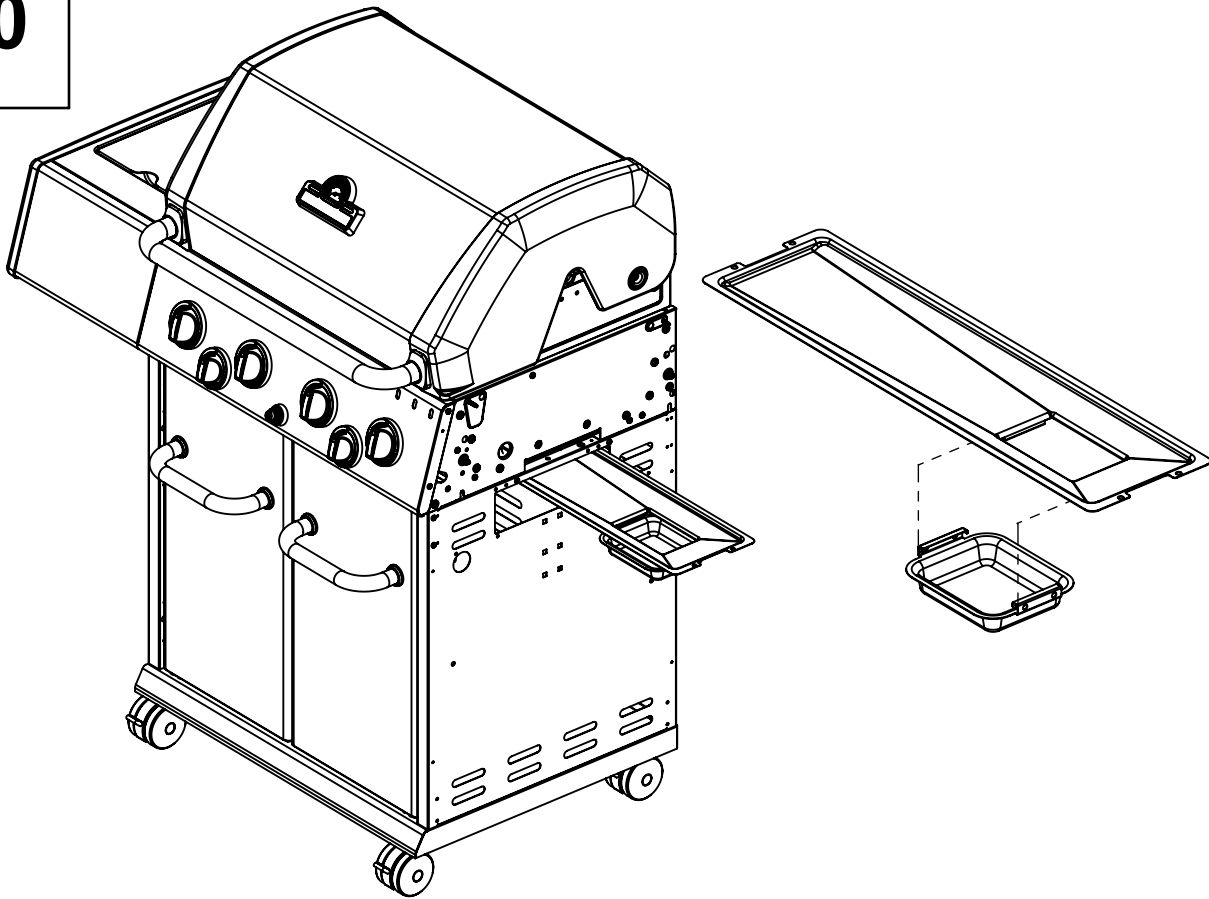
18



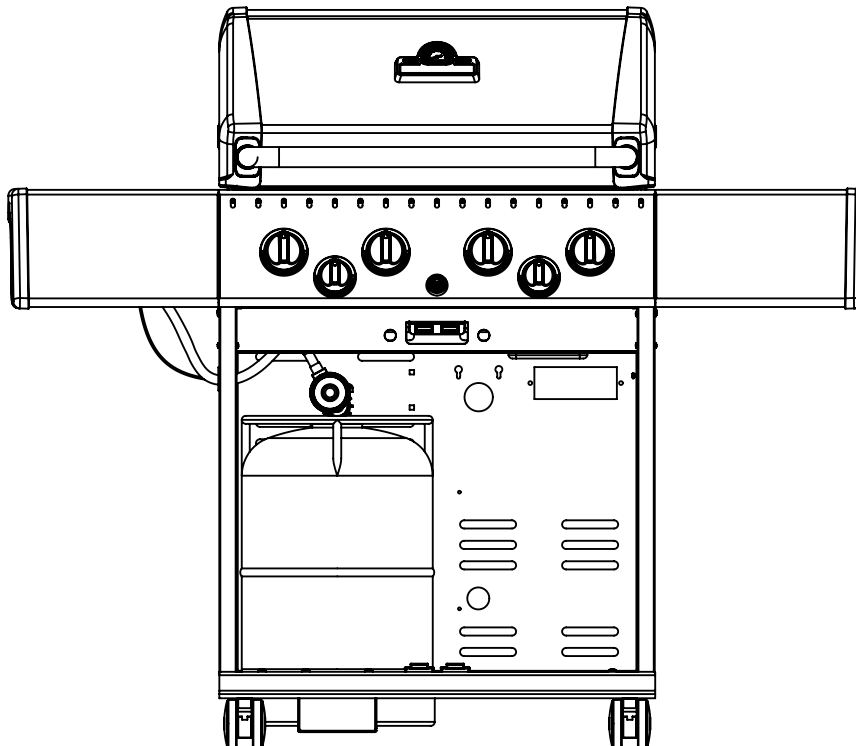
19



20



21



KEY #	ITEM #	DESCRIPTION	682163	982163	KEY #	ITEM #	DESCRIPTION
1	56104-831	LID - SIDE PANEL - LEFT	1	80	53104-11	SIDE SHELF	
2	56104-811	LID - SIDE PANEL - RIGHT	1	81	53104-13	SIDE SHELF	
3	56315-804	LID - OUTER PANEL	1	83	53184-118	SIDE SHELF - SIDE BURNER	
4	56245-30	LID - INNER PANEL	•	85	53184-138	SIDE SHELF - END CAP	
7	24005-12A	HANDLE	1	86	10390-E10D	SIDE SHELF - END CAP	
8	54009-936	HANDLE BEZEL	2		10390-E10E	SIDE BURNER	
9	44080-60	NAMEPLATE	1		10390-E10NGE		
10	10571-5	HEAT INDICATOR	1	87	53004-271	SIDE BURNER - BODY	
11	52114-131R	PANEL - SIDE UPPER - LEFT	1	88	53000-251	SIDE BURNER - COVER	
12	52114-111R	PANEL - SIDE UPPER - RIGHT	1	89	63139-981	SIDE BURNER GRID	
15	56005-001P	FIREBOX	1	92	10342-T21	SIDE BURNER ELECTRODE	
17	27245-904	GREASE SHEILD	1	93	53404-114	SIDE SHELF FRONT	
18	52065-91	HEAT SHEILD - FRONT	1	94	23030-611	SIDE SHELF - BRACKET - RIGHT	
19	52045-92	HEAT SHEILD - REAR	1	95	23030-631	SIDE SHELF - BRACKET - LEFT	
22	52305-121	PANEL - REAR	1	100	Y-12220	GROMMET	
23	52315-151	PANEL - HOOD	1	108	10693-099	REAR BURNER ORIFICE	
25	52909-104D	BURNER - MAIN	•		10693-104		
	52909-104E		4		10693-161		
	52909-104NGE		•				
26	22225-014	COLLECTOR BOX - FRONT LOWER	1	110	S15271	HANDLE	
27	22215-014	COLLECTOR BOX - FRONT UPPER	1	111	S15270	BALANCE	
28	52015-304	CONTROL COVER	•	112	S15299	WASHER	
	52015-244		1	113	S15263	BUSHING	
29	59005-073	CONTROL ASSEMBLY	•	114	S15259	ROTISSERIE ROD	
	59005-035		1	115	S15259	4 PRONG FORK	
30	S13470-073	HOSE - SIDE BURNER	•	116	57039-901	ROTISSERIE BRACKET	
	S13470-079		1	129	S21123	SCREW - #8 X 1/2	
	S13470-118		•	130	Y-12835	SCREW - #8 X 1/4	
33	27905-354	BURNER - ROTISSERIE	•	131	S21125	SCREW - #8 X 3/8	
34	S15508	ELECTRODE	•	132	S21124	SCREW - #8 X 1/2	
35	50809-957	TUBE - REAR BURNER ASSEMBLY	•	133	Y-12646	SCREW - #10-24 X 3/8	
36	Y-11990	NUT HEX	•	134	Y-29304	SCREW - #10-24 X 5/8	
38	22002-268	CONTROL BEZEL	4	135	S35094	SCREW - #10-24 X 3/4	
39	22001-168	CONTROL BEZEL	1	136	Y-29310	SCREW - #10-24 X 3/4	
40	10472-K431	CONTROL KNOB	4	137	S35095	SCREW - #10-24 X 5/8	
41	10472-K231	CONTROL KNOB	•	140	Y-12865	SCREW - 1/4-20 X 1/2	
42	10342-247	ELECTRONIC IGNITOR	1	142	Y-12860	SCREW - 1/4-20 X 1	
	10342-246		1	145	Y-11546	SCREW - SHOULDER 1/4-20 X 5/8	
43	10342-E13	ELECTRODE	2	150	Y-29307	NUT - #10-24	
44	52209-404	FLAV-R-WAVE ®	4	151	Y-11793	NUT - 1/4-20	
45a	52007-281	GRID	•	153	Y-11795	NUT - 1/4-20 LOCK	
45b	52002-181	GRID	2	154	S21061	WING NUT #10	
46	52005-991	GRID - WARMING RACK	1	160	Y-12857	WASHER	
47	57055-902	GREASE TRAY	1	161	S21255	WASHER	
48	21035-991	GREASE TRAY - RAIL	2	162	Y-12870	WASHER #10	
49	52009-902	GREASE PAN	1	163	S21252	WASHER - M4	
50	51175-131A	DOOR - LEFT HAND	1	169	S21233	CLIP	
	51175-134A		•	170	10240-23	HINGE PIN	
51	51175-111A	DOOR - RIGHT HAND	1	171	S21242	CLIP	
	51175-114A		•	172	Y-11544	BURNER SCREW	
57	21071-13	DOOR HANDLE	1	173	10240-19	DOOR HINGE PIN - TOP	
58	21070-13	HANDLE BEZEL	2	174	10240-20	DOOR HINGE PIN - BOTTOM	
60	21109-905	CABINET - SIDE PANEL	2	175	Y-12127	DOOR CLIP	
61	21305-925	CABINET - REAR PANEL	1	176	Y-12124	DOOR HINGE COVER	
65	51615-235	CABINET - LOWER BASE	1	177	Y-12222	MAGNET	
66	21039-301	TANK BRACKET	1	178	Y-12223	MAGNET - SNAP IN	
67	51335-211	MAGNET BRACKET	1	180	Y-11235	LID BUMPER	
68	57139-13	CONNECTION BRACKET	4	181	Y-11231	LID BUMPER - ROUND	
73	51039-951	CASTER BRACKET	4	182	20005-000	MATCH LIGHT CHAIN	
74	10892-23	CASTER	4	184	S21362	SPRING	
			•	185	S15245	MOTOR	

