

This Owner's Manual is provided and hosted by [Appliance Factory Parts](#).



HUNTINGTON 6962-67C Owner's Manual

[Shop genuine replacement parts for HUNTINGTON
6962-67C](#)



[Find Your HUNTINGTON Grill Parts - Select From 154 Models](#)

----- Manual continues below part list -----

Available Replacement Parts for HUNTINGTON 6962-67C

91122GC	GP GRID CAST IRON 2PC Set
18013	LARGE PROBE HEAT INDICATOR
10240-15	HINGE PIN SIDE SHELF DROP DOWN
S21237	HINGE PIN SPACER
10892-15	CASTER 2 1/2 INCH WHEEL KNURLED
S21124	SCREW PHCP #8 X 12 +
10390-E10	BURNER SIDE 10BTU W/ELEC #8 +
Y-12220	S/B BUSHING SB 1.375 16 HEY
10892-931A	WHEEL 7 INCH GREY WALL
18429	FLAV R WAVE - SIGNET/SOVEREIGN
10184-e78A	END CAP DOOR TOP LHS W/MAGNET
10184-e76	END CAP DOOR BOTTOM LEFT A
10184-e79a	END CAP DOOR TOP RHS W/MAGNET
10342-246	IGNITOR ELECTRONIC TRIPLE +
10342-E400A	COLLECTOR BOX ASSEMBLY
23000-271	SIDE BURNER BODY BASE
22009-901	GREASE PAN FORMED +
10225-E391	GRID UPPER PORCELAIN 390 A +
10184-E62	SHELF SUPPORT BRACKET LHS +
10184-E63	SHELF SUPPORT BRACKET RHS +
10958-E81	BASE RESIN CABINET REV A +
10958-E761	PANEL SIDE BLACK +
10958-E901	PANEL REAR BLACK 21 3/4 INCH NEW 2006
10184-E77	END CAP DOOR BOTTOM RIGHT A
S15170	AXLE PLTD 3/8X20 5/8 CAB +
10184-E651	SHELF SUPPORT LHS BLK
10184-E641	SHELF SUPPORT RIGHT BLK
10711-E47	END CAP SIDE SHELF RHS
10711-E43	EDGE CAP SIDESHLF R REAR.034LB
10711-E45	EDGE CAP SIDESHLF R FRNT.199LB

10711-E48	END CAP SIDE SHELF LHS
10711-E44	EDGE CAP SIDE SHELF LHS REAR
10711-E46	EDGE CAP SIDE SHELF LHS FRONT
10473-E394	CASTING TOP 390 SLOPED FRONT
18629	TUBE IN TUBE BURNER SIGNET/SOVEREIGN
10472-E38	CONTROL KNOB - BEZEL BLK
10184-E501	CASTING SUPPORT L BLK
10184-E511	CASTING SUPPORT RHS BLK
10184-E92	RADIATION SHIELD 390/400
10956-E591	BRACE FRONT BLACK
10222-E402	BAFFLE SIGNET/SOVEREIGN
10711-E42A	EDGE CAP CONTROL COVER LHS
10711-E41A	EDGE CAP CONTROL COVER RHS +
10194-E455	CONTROL COVER S.S 4V *
10342-T16	WIRE ELECTRODE S/B +
10956-E881	BRACE REAR BLACK
23000-251	COVER SIDE BURNER BLACK +
10184-E211	TANK COLLAR CLAMP 3B BLACK
10184-E201	TANK STRAP 3B BLACK
44089-60	NAMEPLATE PATRIOT
10444-E42	CONTROL ASSY 50BTU 3V SB LP
10711-E821	SHELF BODY BLACK
10711-E831	SHELF BODY BLACK LHS
80012	regulator and hose READ ADD. INFO
10184-E931	DOOR CATCH BRACKET - BLACK
10958-E395HC	LID INSERT 394 BA +
23009-951	SIDE BURNER GRID BLK 330/440/550
10184-E124	HEAT SHIELD
10111-K45	HOSE 3/8 INCH ASSEMBLY NG 10 FOOT +
10342-E12	ELECTRODE W/WIRE +
10472-K431	CONTRL KNOB RESIN LRG BLCK W/SS BA STRIP
24005-12AB	LID-HANDLE BENT,

HUNTINGTON™

REDDI-BILT BARBECUES

ASSEMBLY MANUAL & PARTS LIST

MANUEL DE MONTAGE & LISTE DE PIÈCES



HUNTINGTON™

6962-64C

6962-67C

SCAN TO WATCH
ASSEMBLY VIDEO



www.huntingtonbbq.com

RETAIN FOR FUTURE REFERENCE

VEUILLEZ CONSERVER POUR REFERENCE ULTERIEURE

1-800-265-2150

info@omcbbq.com

Onward
MANUFACTURING COMPANY

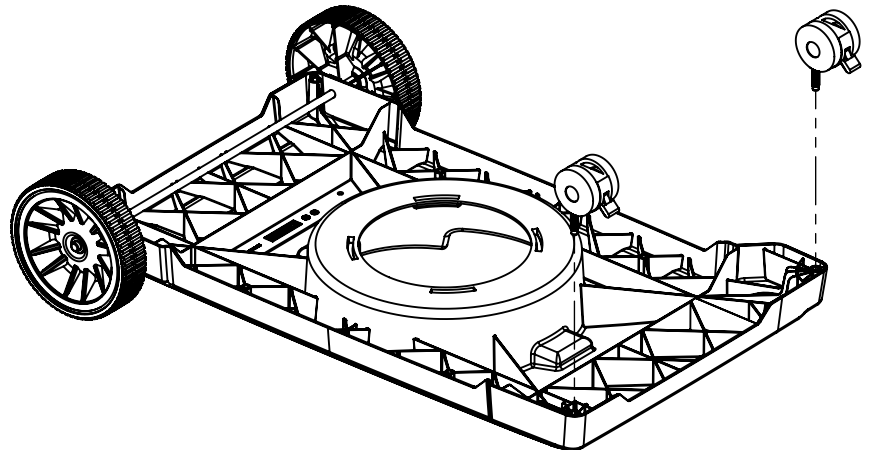
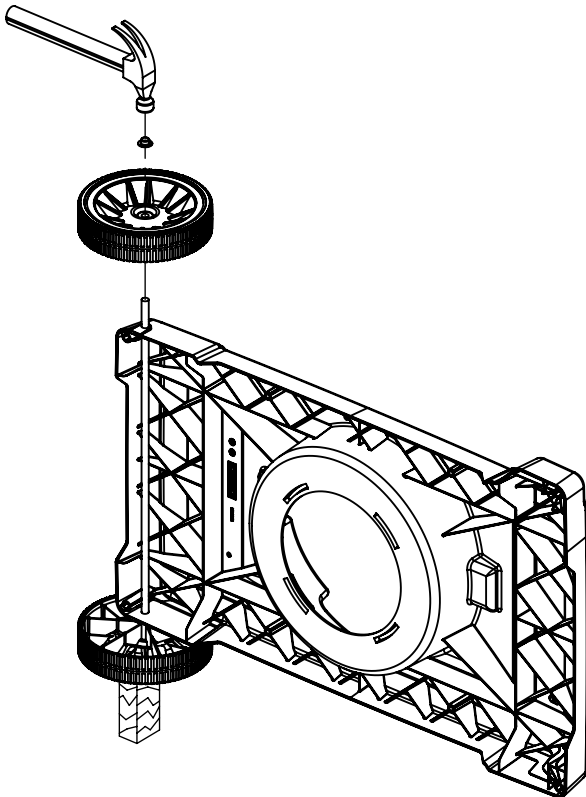
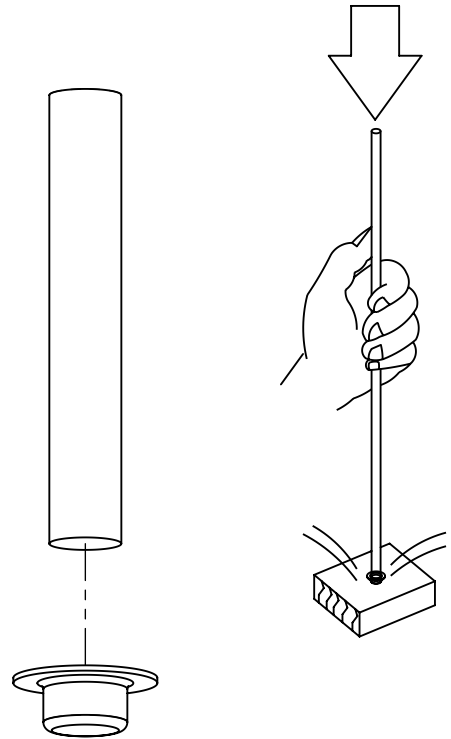
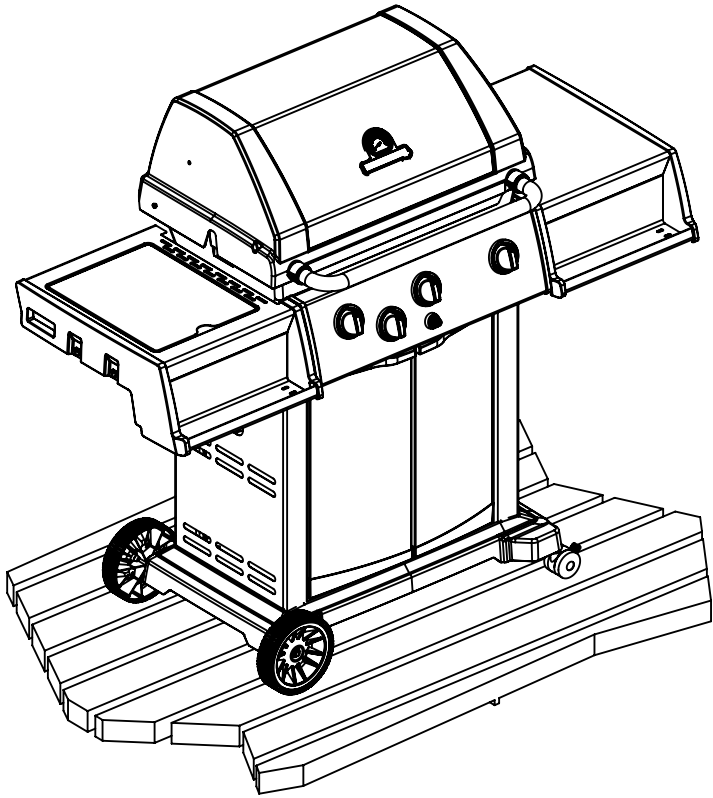
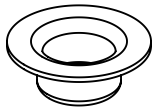
SINCE 1906

1000 EAST MARKET STREET
HUNTINGTON, INDIANA, 46750, USA

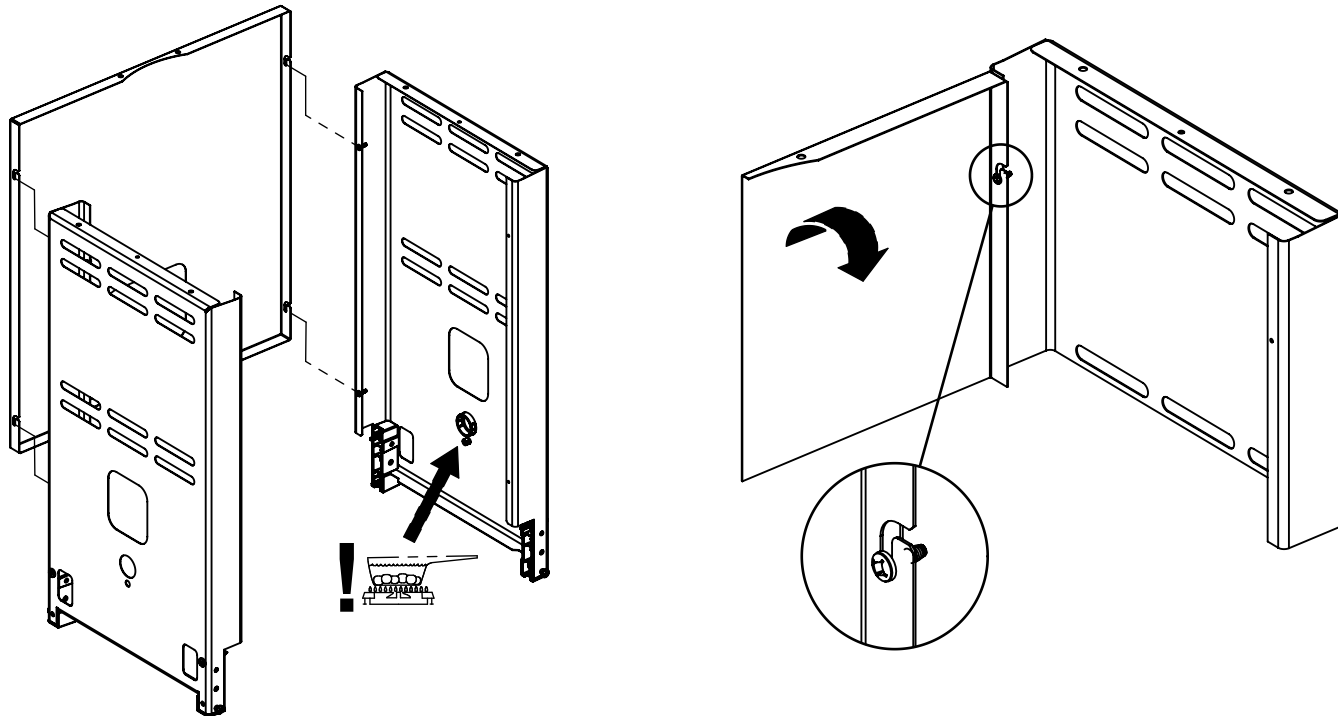
S18689 REV A 10/12

1

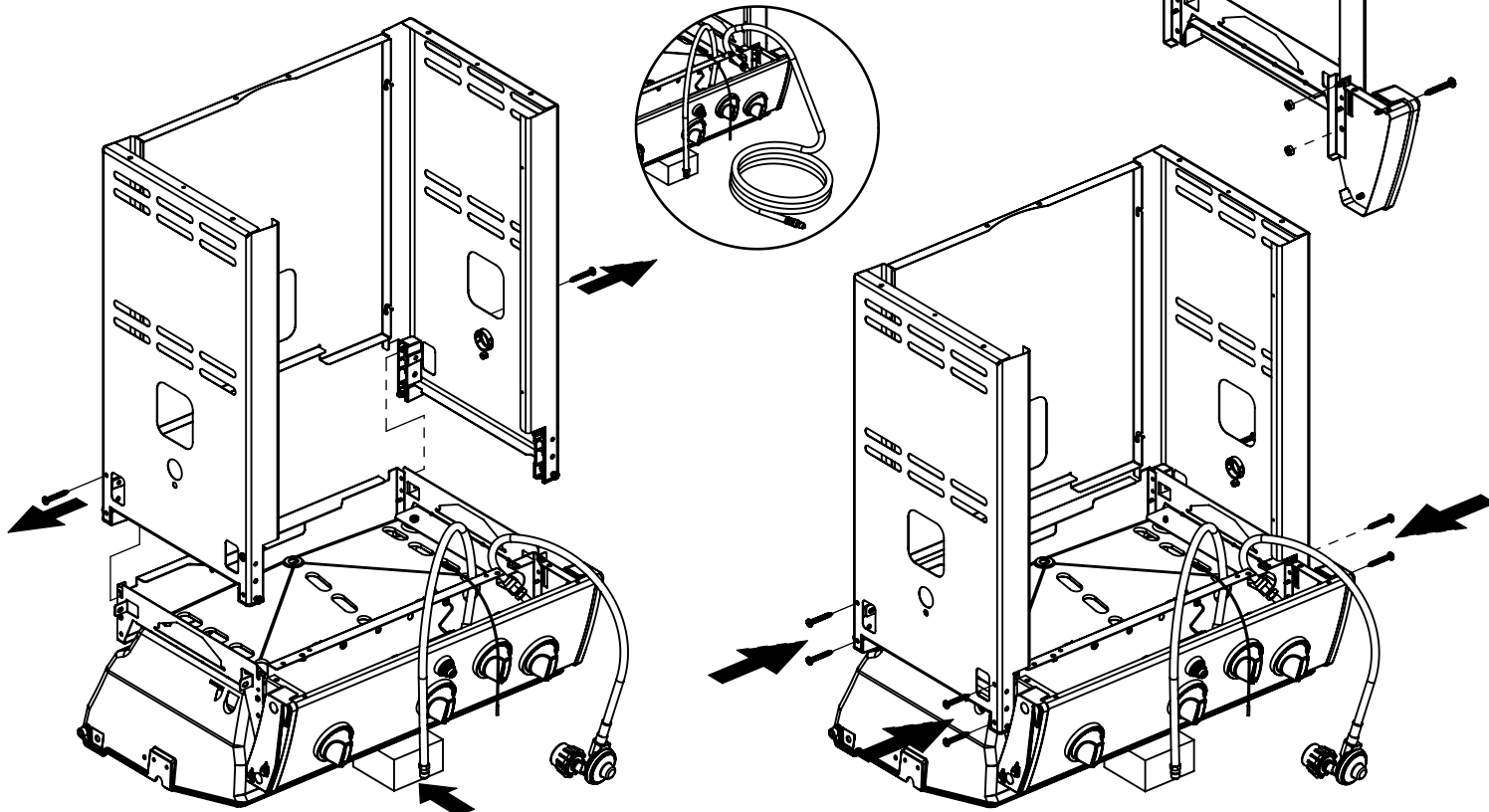
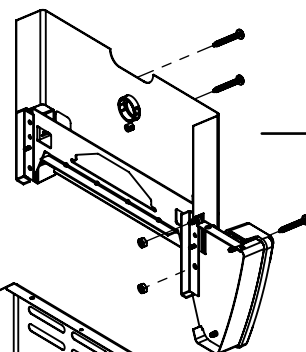
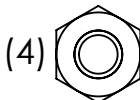
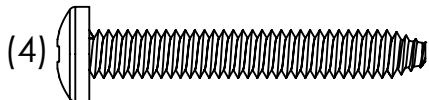
(2)



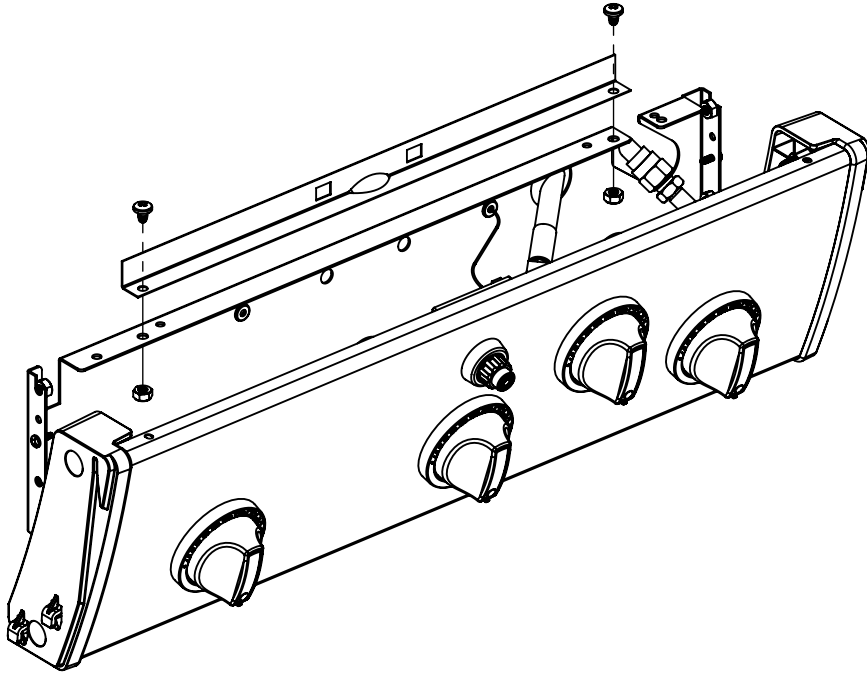
2



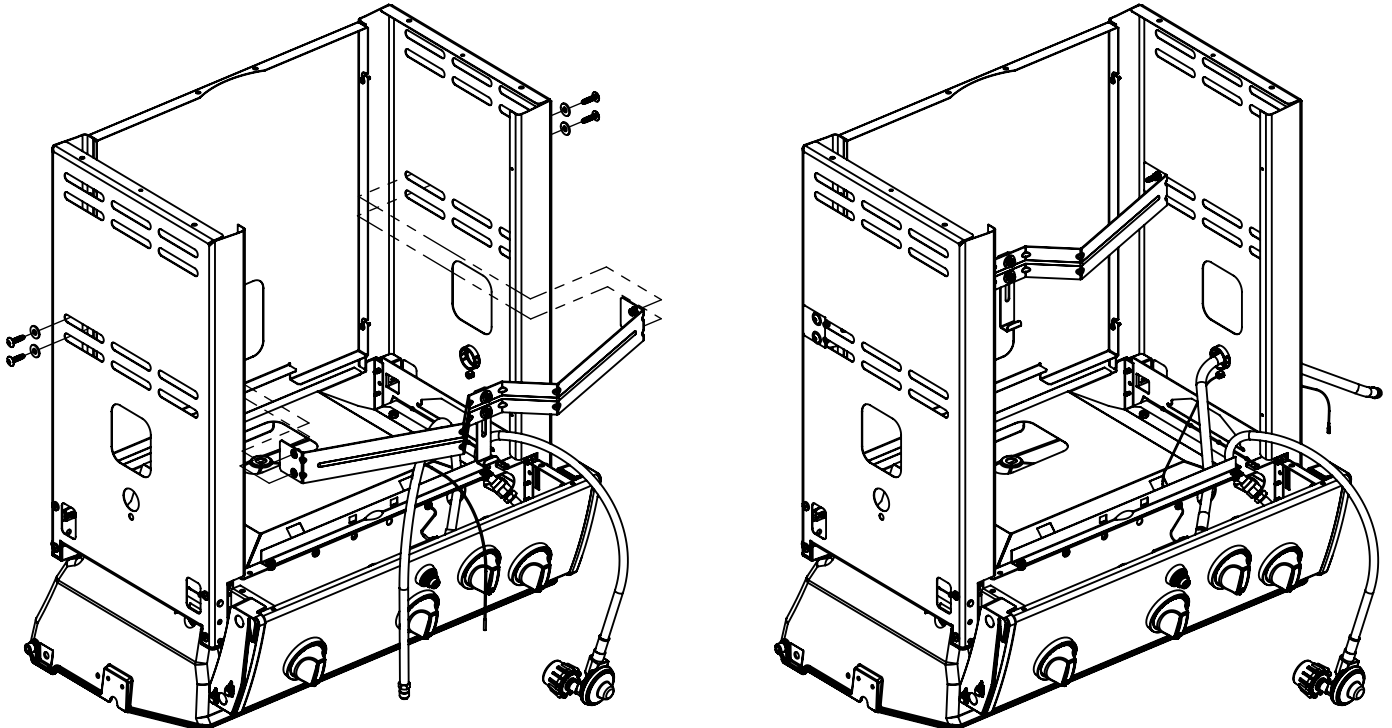
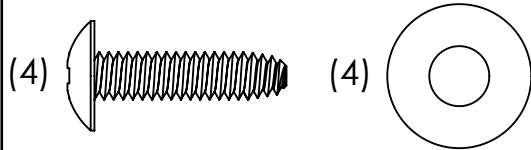
3



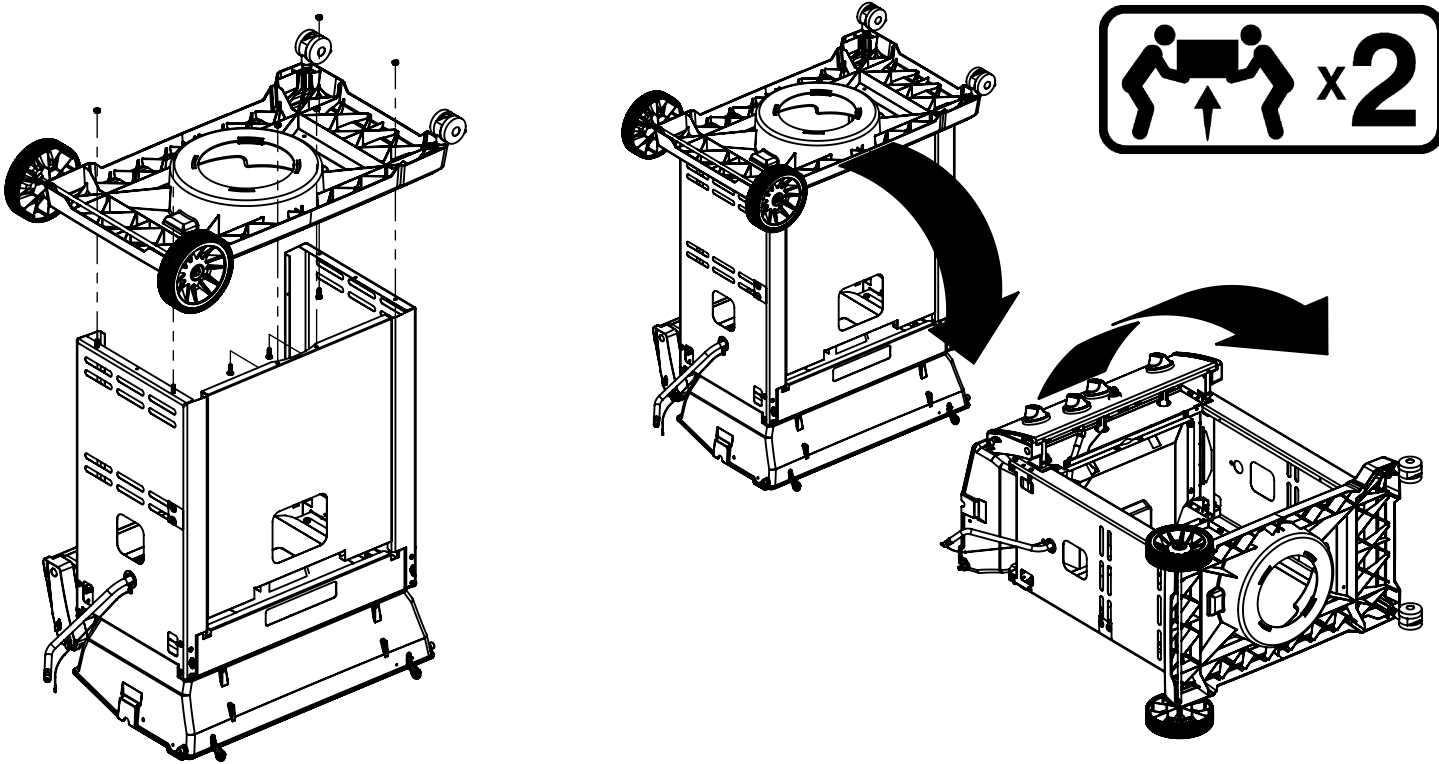
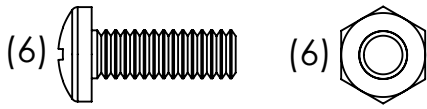
4



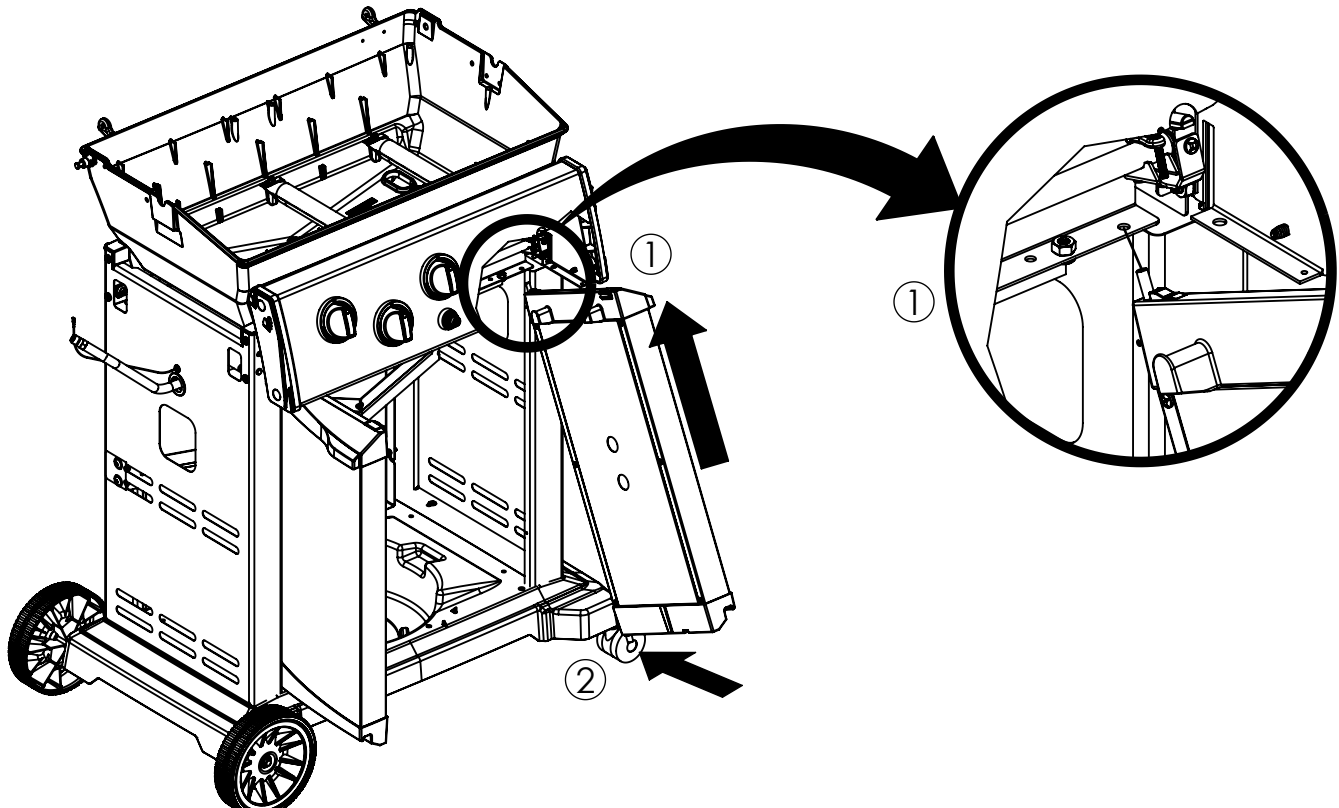
5



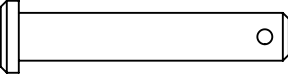
6

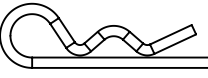


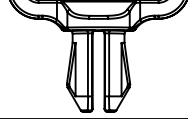
7

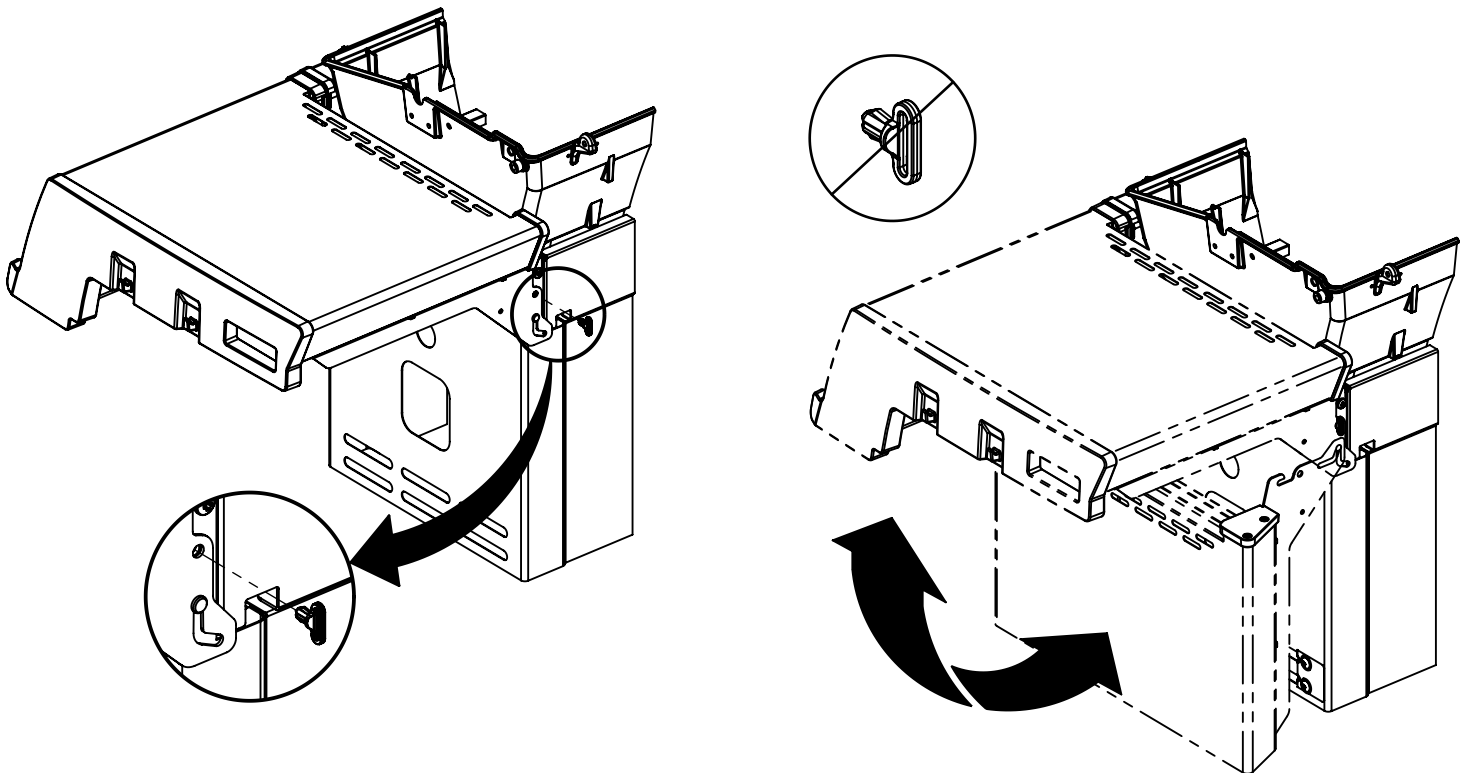
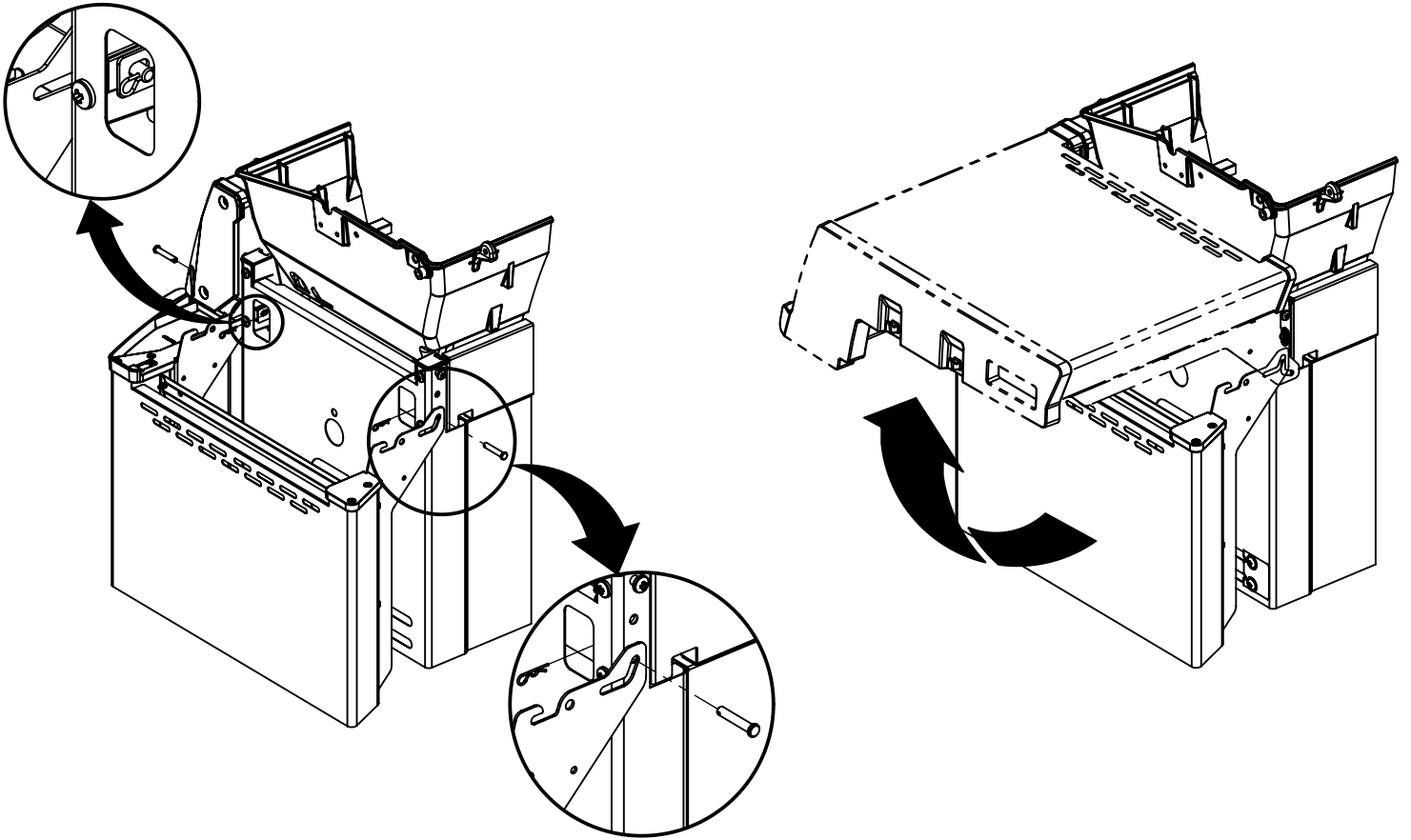


8

(2) 

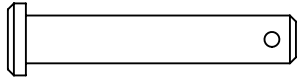
(2) 

(1) 

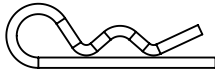


9

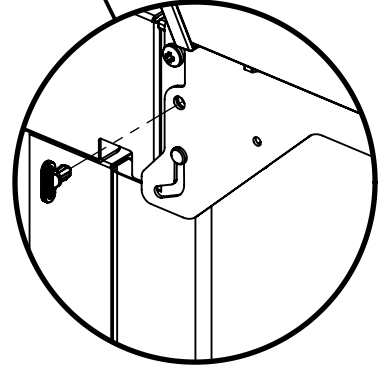
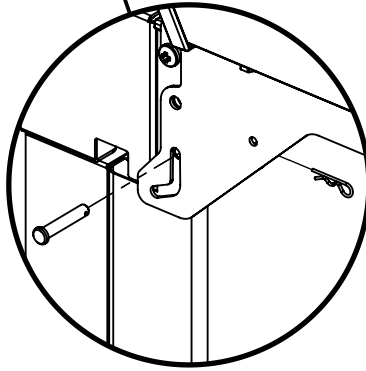
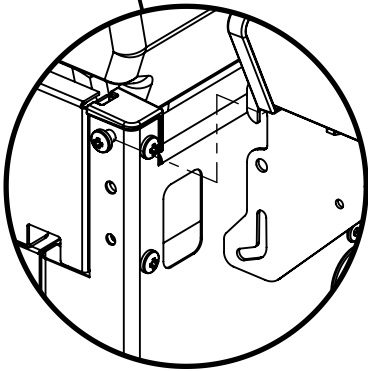
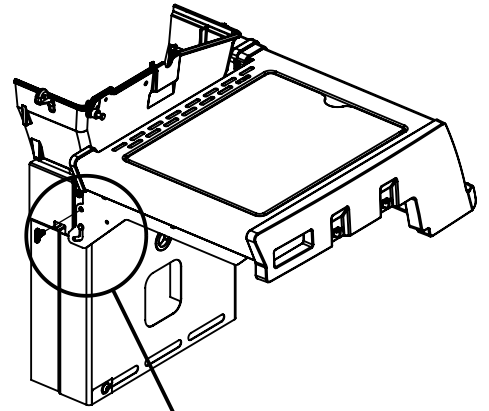
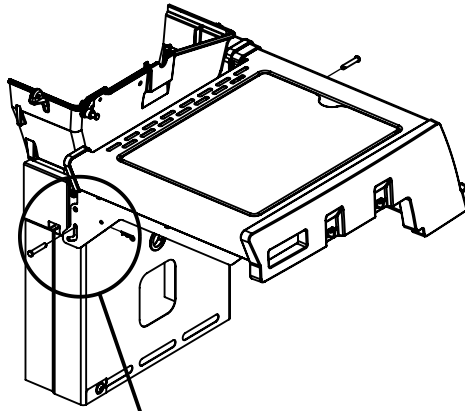
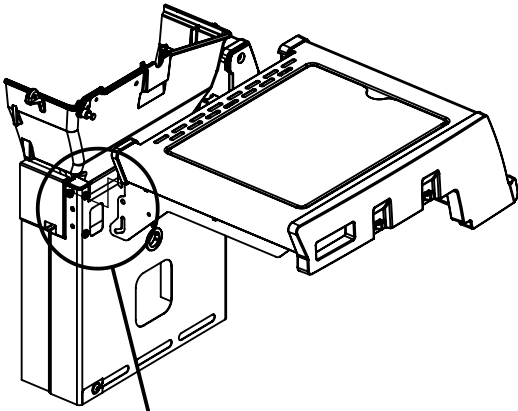
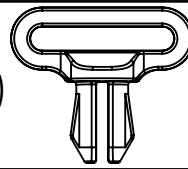
(2)



(2)

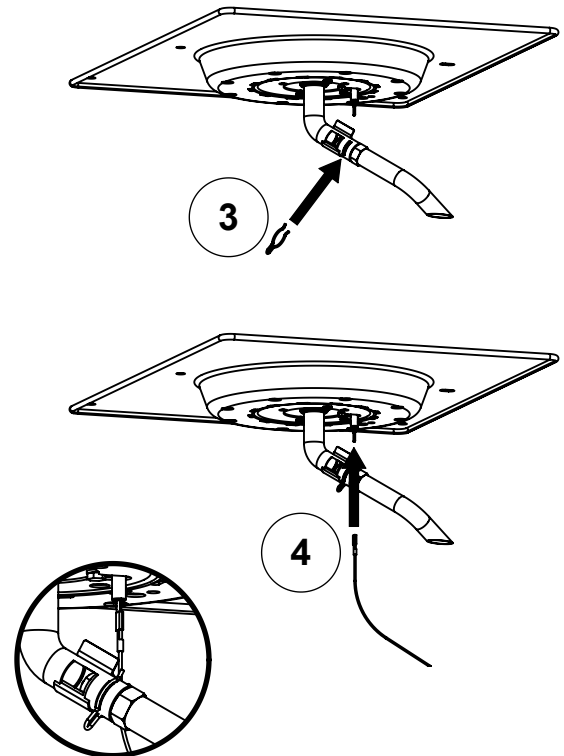
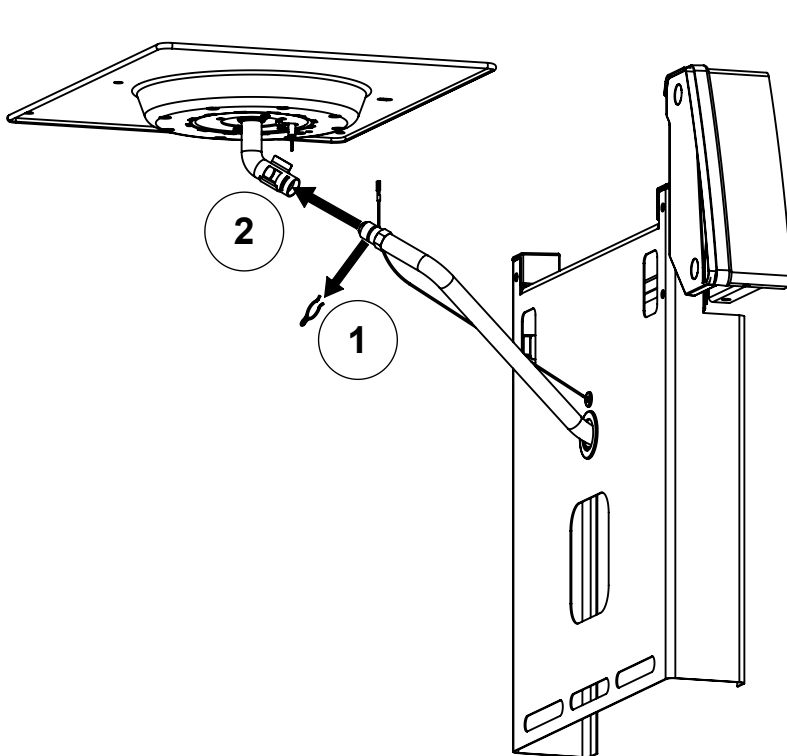
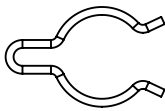


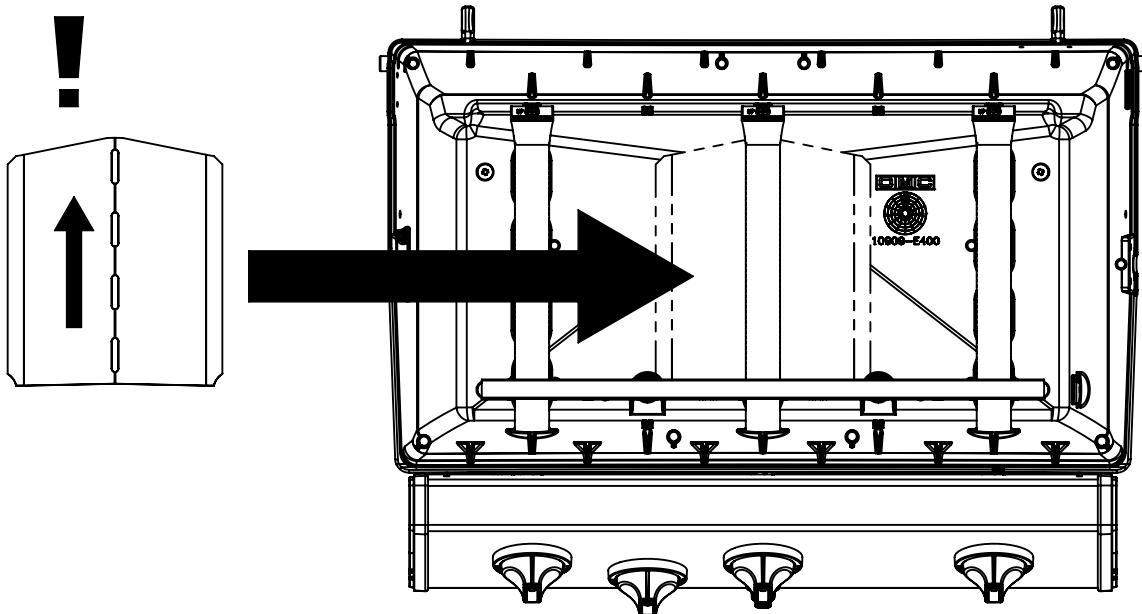
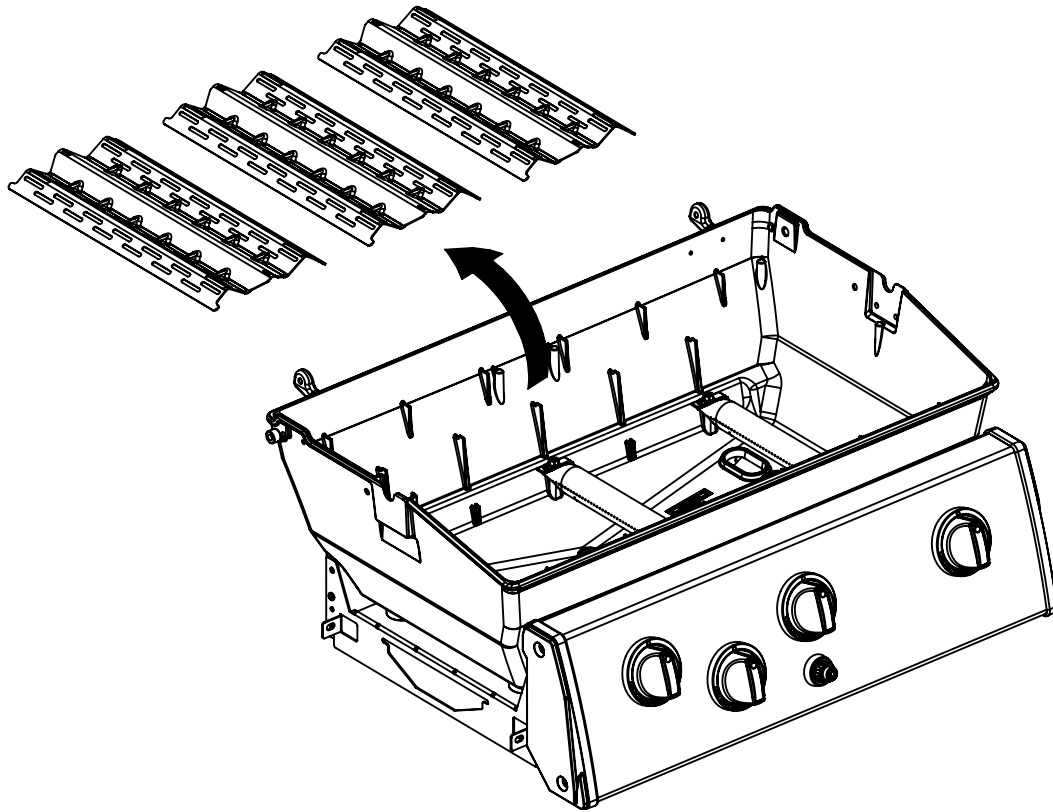
(1)



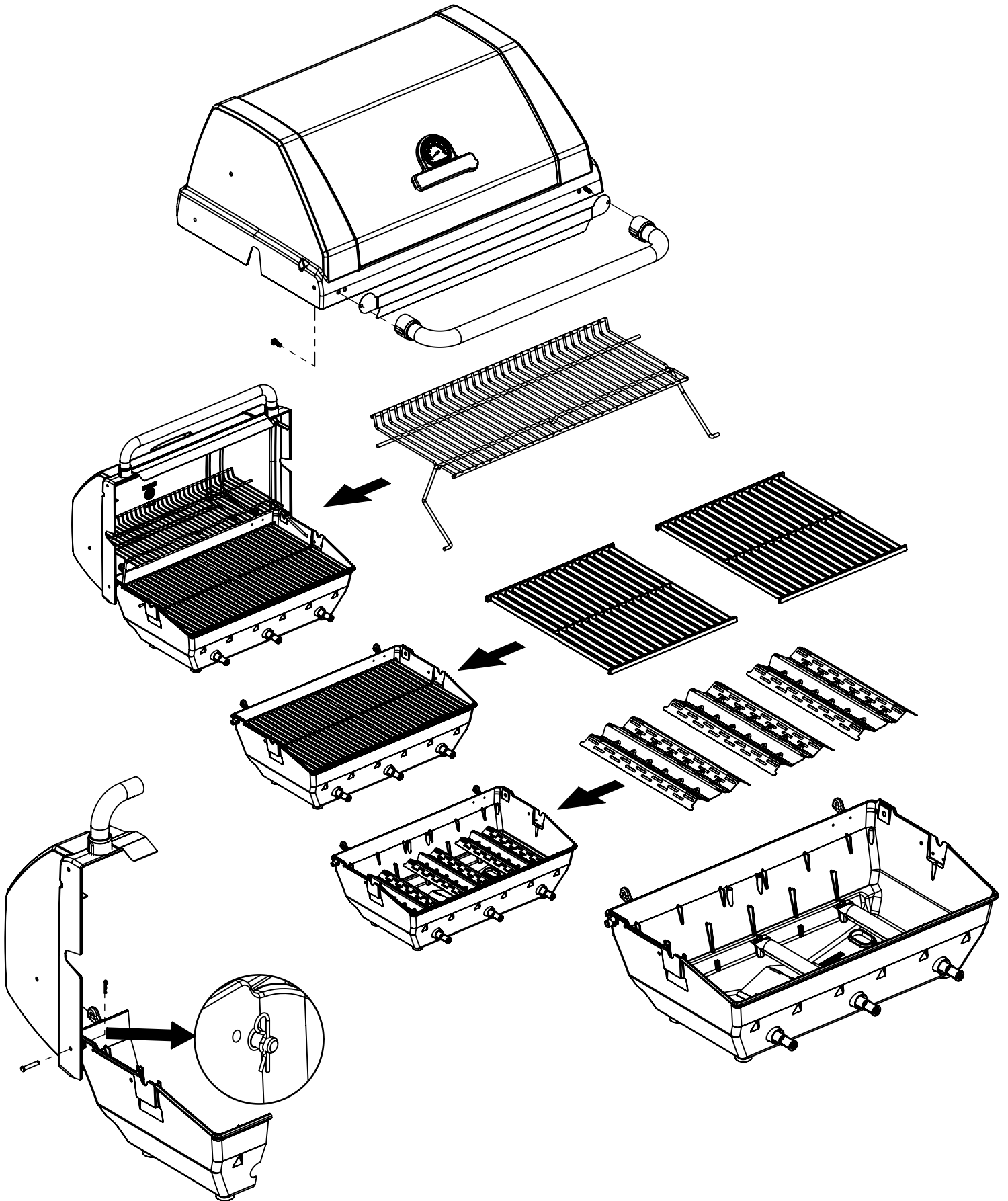
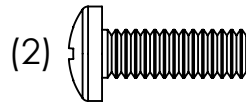
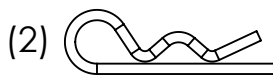
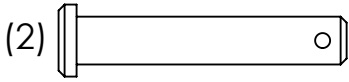
10

(1)

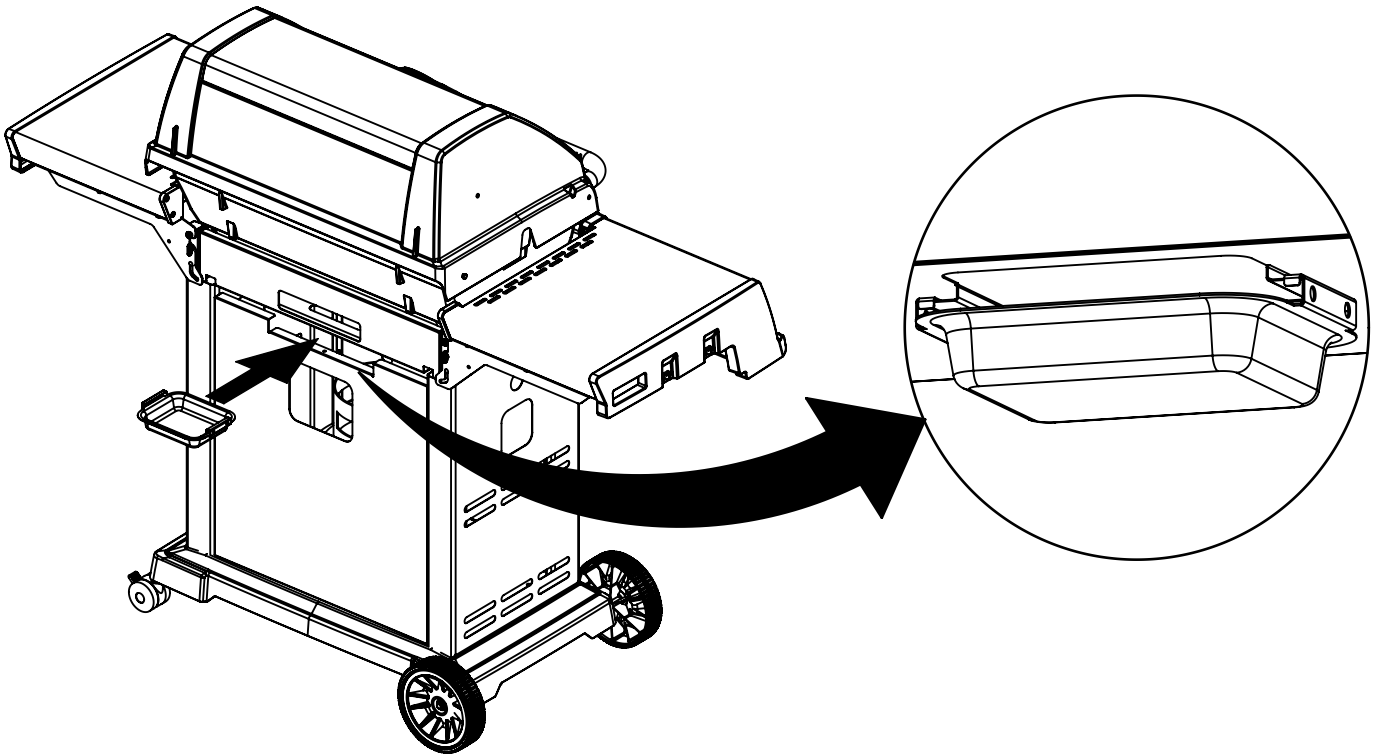




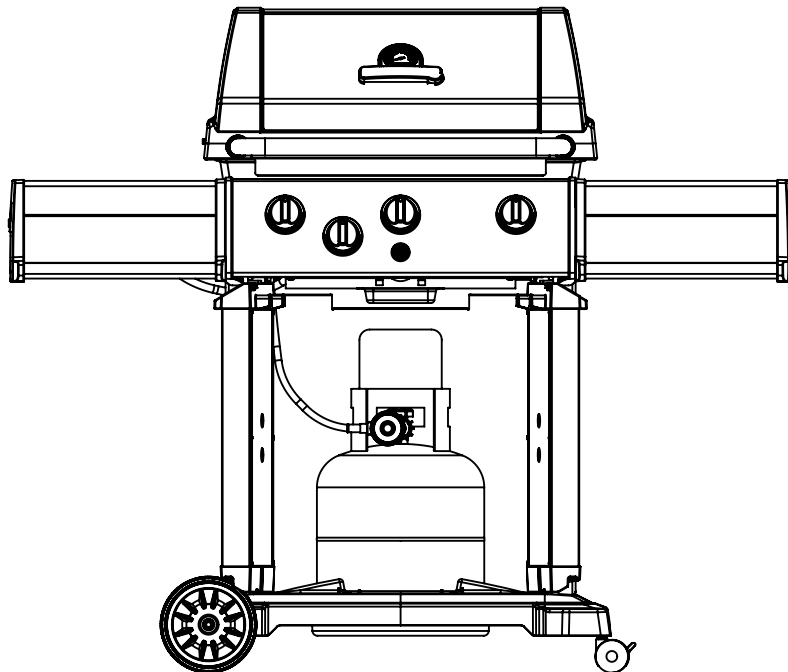
12

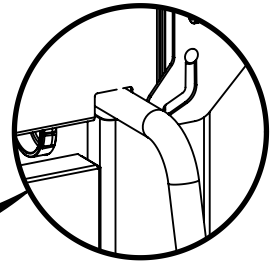
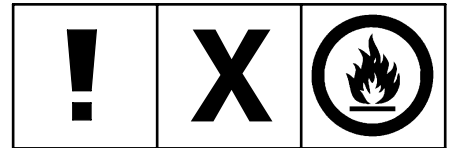
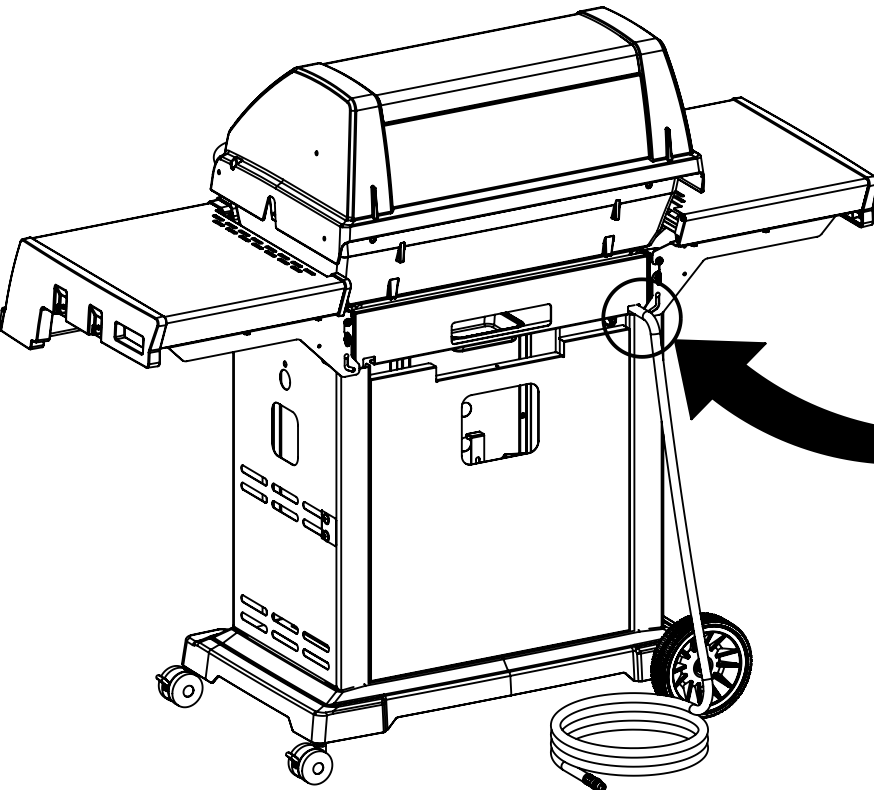
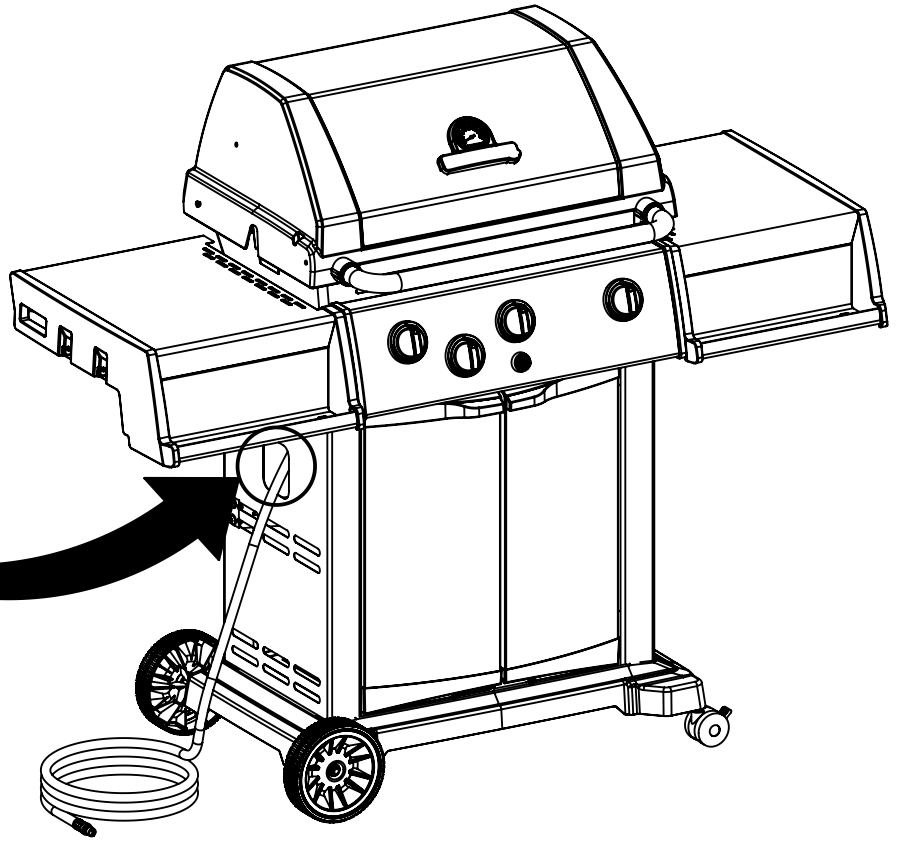
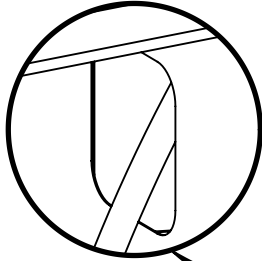
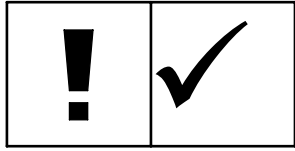


13



14





PARTS LIST / LISTE DES PIÈCES

<u>KEY #</u>	<u>ITEM #</u>	<u>DESCRIPTION</u>	<u>DESCRIPTION</u>	<u>6962-64C</u>	<u>6962-67C</u>
1	10909-E400	CASTING BOTTOM	FOND DU FOYER	1	1
2	10473-E394	CASTING TOP	COUVERCLE DU GRIL	1	1
3	44089-60	NAMEPLATE	PLAQUE D'IDENTIFICATION	1	1
4	10958-E395HC	TOP CASTING INSERT	PANNEAU DE COUVERCLE	1	1
5	10571-6	HEAT INDICATOR	INDICATEUR DE CHALEUR	1	1
6	10240-15	HINGE PIN	GOUPILLE DE CHARNIÈRE	6	6
6A	S21237	HINGE SPACER	ENTRETOISE DE CHARNIÈRE	2	2
7	S21233	HITCH PIN CLIP	ATTACHE DE CHEVILLE	6	6
9	38170121	GRID - PORCELAIN	GRILLE	2	2
10	10222-E400	FLAV-R-WAVE	FLAV-R-WAVE	3	3
11	10225-E391	GRID - WARMING RACK	GRILLE	1	1
15	10390-E20LP	BURNER	BRÛLEUR	3	•
	10390-E20NG	BURNER	BRÛLEUR	•	3
17	10342-246	ELECTRONIC IGNITOR	ALLUMEUR ÉLECTRONIQUE	1	1
18	10342-E12	ELECTRODE	ELECTRODE	2	2
19	10342-E400	COLLECTOR BOX	BOÎTE DE COLLECTEUR	1	1
19A	10342-E401	COLLECTOR BOX	BOÎTE DE COLLECTEUR	1	1
21	10444-E42	CONTROL ASSEMBLY - LP	ASSEMBLÉE DE CONTROLE	1	•
	10444-E43	CONTROL ASSEMBLY - NG	ASSEMBLÉE DE CONTROLE	•	1
21A	S13470-091	HOSE-SIDE BURNER LP	TUYAU DU BRULEUR LATERAL PL	1	•
	S13470-132	HOSE-SIDE BURNER NG	TUYAU DU BRULEUR LATERAL GN	•	1
21B	Y-11230	COTTER PIN	ATTACHE DE CHEVILLE	1	1
22	10114-20	HOSE & REGULATOR LP - QCC1	TUYAU ET REGULATEUR PL - QCC1	1	•
	10111-K45	HOSE NATURAL GAS	TUYAU (GAZ NATUREL)	•	1
23	10472-K431	CONTROL KNOB	BOUTON DE CONTROLE	4	4
23A	10472-E38	CONTROL BEZEL	MONTURE DE CONTROLE	4	4
25	10222-E402	BAFFLE	PLAQUE-CHICANE	1	1
30	10194-E455C	CONTROL COVER	PANNEAU DE CONTROLE	1	1
31	10711-E42A	EDGE CAP - CONTROL COVER	PAC DE BORD	1	1
32	10711-E41A	EDGE CAP - CONTROL COVER	PAC DE BORD	1	1
33	10184-E92	RADIATION SHIELD	ÉCRAN DE CHALEUR	1	1
35	10184-E501	SUPPORT-CASTING-LEFT	SUPPORT GAUCHE DU FOYER	1	1
36	10184-E511	SUPPORT-CASTING-RIGHT	SUPPORT DROIT DU FOYER	1	1
37	10184-E651	SUPPORT-SIDE SHELF-LEFT	SUPPORT TABLETTE DE GAUCHE	2	2
37A	10184-E63	SUPPORT-SIDE SHELF-LEFT	SUPPORT TABLETTE DE GAUCHE	2	2
38	10184-E641	SUPPORT-SIDE SHELF-RIGHT	SUPPORT TABLETTE DE DROIT	2	2
38A	10184-E62	SUPPORT-SIDE SHELF-RIGHT	SUPPORT TABLETTE DE DROIT	2	2
39	10956-E881	BRACE-REAR	SUPPORT ARRIERE	1	1
40	10958-E81	BASE	TABLETTE INFERIEURE	1	1
41	10956-E591	BRACE-FRONT	SUPPORT AVANT	1	1
42	10958-E75	DOOR	PORTE	2	2
42A	10958-E851	DOOR - INNER	PORTE INTÉRIEURE	2	2
43	10958-E761	SIDE PANEL BLK	PANNEAU LATERALE	2	2
44	10958-E901	PANEL - REAR	PANNEAU - ARRIÈRE	1	1
45	10184-E821	BRACKET - DOOR CATCH	CROCHET DE PORTE	1	1
48	10184-E681	BRACKET - SHELF	CROCHET - PLANCHETTE	2	2
49	10711-E811	CONDIMENT BIN	CASIER DE CONDIMENT	2	2
50	10711-E821	SHELF - SIDE - RIGHT	PLANCHETTE LATERALE - DROIT	1	1

PARTS LIST / LISTE DES PIÈCES

<u>KEY #</u>	<u>ITEM #</u>	<u>DESCRIPTION</u>	<u>DESCRIPTION</u>		
51	10711-E831	SHELF - SIDE - LEFT	PLANCHETTE LATÉRALE – GAUCHE	1	1
52	10184-E78A	DOOR - TOP CAP - LEFT	PORTE - DESSUS - GAUCHE	1	1
53	10184-E76	DOOR - BOTTOM CAP - LEFT	PORTE - DESSOUS - GAUCHE	1	1
54	10184-E79A	DOOR - TOP CAP - RIGHT	PORTE - DESSUS - DROIT	1	1
55	10184-E77	DOOR - BOTTOM CAP - RIGHT	PORTE - DESSOUS - DROIT	1	1
56	10892-7G	WHEEL	ROUE	2	2
60	10711-E47	END CAP - SHELF - RIGHT	MONTURE D'EMBOUT	1	1
61	10711-E44	EDGE CAP - SHELF - RIGHT REAR	PAC DE BORD	1	1
62	10711-E45	EDGE CAP - SHELF - RIGHT FRONT	PAC DE BORD	1	1
63	10711-E48	END CAP - SHELF - LEFT	MONTURE D'EMBOUT	1	1
64	10711-E43	EDGE CAP - SHELF - LEFT REAR	PAC DE BORD	1	1
65	10711-E46	EDGE CAP - SHELF - LEFT FRONT	PAC DE BORD	1	1
72	S21420	PUSH NUT	POUSSE ECROU	2	2
73	10239-394	STANDOFF - HANDLE	ENTRETOISE	2	2
74	S21084	SCREW - #14 x 3/4	VIS - #14 x 3/4	11	11
75	24005-12A	HANDLE	POIGNÉE	1	1
75A	10184-E12	SHEILD - HANDLE	BOUCLIER	1	1
76	S21255	WASHER	RONDELLE	8	•
78	10892-15	CASTOR	ROULETTES	2	2
79	Y-11561	BOLT – 1/4:20 x 1 3/4	BOULON - 1/4:20 X 1 3/4	8	8
80	Y-11546	SCREW- 1/4-20 X 5/8	VIS – 1/4-20 X 5/8	6	4
81	Y-12860	SCREW – 1/4-20 X 1 3/8	VIS – 1/4-20 X 1 3/8	12	8
82	Y-12673	SHELF - LOCK PIN	ÉTAGÈRE - GOUPILLE DE SERRURE	2	2
82A	Y-12855	BOLT- 1/4-20 X 3/8	BOULON – 1/4-20 X 3/8	2	2
83	Y-12310	BOLT- 1/4-20 X 3/4	BOULON – 1/4-20 X 3/4	10	10
84	S15170	AXLE	ESSIEU	1	1
86	Y-12861	SCREW - 1/4-20 X 3/8	VIS - 1/4-20 X 3/8	2	2
87	Y-11793	NUT- 1/4-20	ECROU – 1/4-20	18	18
96	S21125	SCREW – 8 X 1/2	VIS - 8 X 1/2	16	16
98	S21124	SCREW – 8 X 1/2	VIS - 8 X 1/2	28	28
98A	Y-12643	SCREW – 8 X 1/2	VIS - 8 X 1/2	12	12
99	Y-12646	SCREW – 8 X 1/3	VIS - 8 X 1/3	2	2
104	Y-12835	SCREW - 6-32 X 1/4	VIS - 6-32 X 1/4	2	2
110	53139-981	GRID	GRILLE	1	1
111	10390-E10	SIDE BURNER	BRULEUR DE COTE	1	1
113	10342-T16	ELECTRODE – SIDE BURNER	ELECTRODE – BRULEUR DE COTE	1	1
114	23000-251	COVER-SIDE BURNER	COUVERCLE LATÉRAL	1	1
117	23000-271	SHELF-SIDE BURNER	SUPPORT DE BRULEUR DE COTE	1	1
123	22009-901	GREASE PAN	CUVETTE A GRAISSE	1	1
125	Y-12220	BUSHING	DOUILLE	1	1
135	Y-12119	BUSHING	DOUILLE	3	3
150	10184-E211	TANK CLAMP	PINCE-CITERNES	1	•
151	10184-E201	TANK STRAP	SANGLE RÉSERVOIR	1	•
154	Y-11795	LOCK NUT	CROU DE BLOCAGE	2	•

