

This Owner's Manual is provided and hosted by [Appliance Factory Parts](#).



HUNTINGTON 6831-83 Owner's Manual

[Shop genuine replacement parts for HUNTINGTON
6831-83](#)



[Find Your HUNTINGTON Grill Parts - Select From 154 Models](#)

----- Manual continues below part list -----

Available Replacement Parts for HUNTINGTON 6831-83

18013	LID HEAT INDICATOR - LARGE - SS
S21233	HITCH PIN CLIP +
Y-12860	SCREW-THCP 1/4-20 X 1-TY-C A04
S21255	WASHER 26 ID X 3/4 OD X 1/16 +
Y-11793	NUT HEX 1/4 20 JS500 +
S21123	SCREW TRUSS HD PHIL-#8 X 1/2
Y-12646	SCREW PHCP SHL.8X1/2 TY-AB +
Y-12835	SCREW-PHCP 6-32X1/4 TY-F JS500
Y-29307	NUT HEX #10-24 JS500
S21362	REAR BURNER SPRING
Y-11546	SCREW PHCP 1/4-20X5/8 INCH A04#A
Y-11795	NUT LOCKING
S21124	SCREW PHCP #8 X 12 +
Y-29304	SCREW PHCP #10 24x3/8
Y-12220	S/B BUSHING SB 1.375 16 HEY
S21125	SCREW 8 X 3/8 PAN HEAD
S15263	ROTISSERIE BUSHING
S15299	WASHER COUNTERWEIGHT ROTIS
S15270	ROTISSERIE COUNTERWEIGHT ASSY
S15271	ROTISSERIE HANDLE +
S35094	SCREW #10-24 X 5/8
S21061	WING NUT STAMPED 10-24
Y-11231	LID BUMPER ROUND BLK
Y-12223	MAGNET SNAP IN - DOOR
Y-12222	MAGNET - DOOR
S21084	SCREW HEX WASHER HEAD #14x3/4
10342-E13	ELECTRODE W/WIRE
24006-12A	HANDLE LID ASSY 625
S15245	ROTIS MOTOR-220V AC +
27056-901	GREASE TRAY PORC FORMED 625

S15259	SPIT ROD 37 INCH CRS BRGHT NICKEL
10240-20	DOOR PIN TOP
10240-19	DOOR PIN BOTTOM
Y-12124	DOOR PIN CAP BOTTOM
18431	FLAV-R-WAVE - BARON - SS
10240-23	LID PIN 1/4-20
Y-12127	DOOR CLIP UPPER
Y-29310	SCREW #10-24 3/4 TRUSS QU
52046-92	FIREBOX 550 HEAT SHIELD 5V AB
52316-151	FIREBOX 550 HOOD PANEL PORC
52006-991	WARMING RACK 550 PORC +
21036-991	GREASE RAIL 550/625
27906-354	REAR BURNER TUBULAR W/DEFLCTOR
10342-251	Igniter, 5 port, aftermarket
20005-000	HARDWARE BAG STICK & CHAIN SS
10892-23	CASTER RUBBER 3 INCH W/PLATE
10693-099	ORIFICE SPUD 0.99MM 5/16 32
52016-903	COLLECTOR BOX ASSEMBLY 625
10342-T21	ELECTRODE WIRE S/B 35 INCH
21036-901	SHELF SUPPORT BLK 625
51039-951	CASTER BRACKET BLACK 330/440/550
11241	COOKING GRID - BARON/CROWN/REBEL/PATRIOT
52066-91	FIREBOX 550 HEAT SHIELD FRONT
53184-118	SHELF END CAP RHS 330/440
53184-138	SHELF END CAP LHS 330/440
53404-114	SHELF FRONT FACIA RHS 330/440
57039-901	ROTISSERIE BRACKET BLK
53009-951	SIDE BURNER TRIVET BLK
S15508	REAR BURNER ELECTRODE WIRE +
Y-11235	LID BUMPER HEX-BLK AB
Y-12865	SCREW 1/4 X 20X1/2 TYPE-C PHCP
50502	ROTISSERIE - HEAVY DUTY FORKS - 2 PC - C
53104-111	SHELF RHS BLK 330/440

<u>S21242</u>	CLIP BURNER TUBE MOUNT SS
<u>Y-11544S</u>	SCREW - BURNER #10-24 X 3/8
<u>Y-11990</u>	NUT HEX BRASS 3/8 27 RB LINE
<u>24009-936</u>	HANDLE RING
<u>10472-K431</u>	CONTRL KNOB RESIN LRG BLCK W/SS BA STRIP
<u>21071-13</u>	DOOR HANDLE 500 GPB
<u>22001-168</u>	CONTROL KNOB BEZEL SML
<u>22002-268</u>	CONTROL KNOB BEZEL LARGE
<u>52809-957</u>	MANIFOLD - REAR BURNER AB
<u>52009-901</u>	GREASE PAN - BLACK HIGH HEAT PAINT
<u>57139-13</u>	BRACKET U-CHANNEL REAR 330/440/550
<u>10111-15A</u>	HOSE ASSEMBLY SS
<u>27249-904</u>	GREASE SHIELD MODULAR, 6.5 x 6

HUNTINGTON™



HUNTINGTON
6831-83

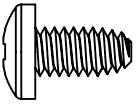
Onward
MANUFACTURING COMPANY

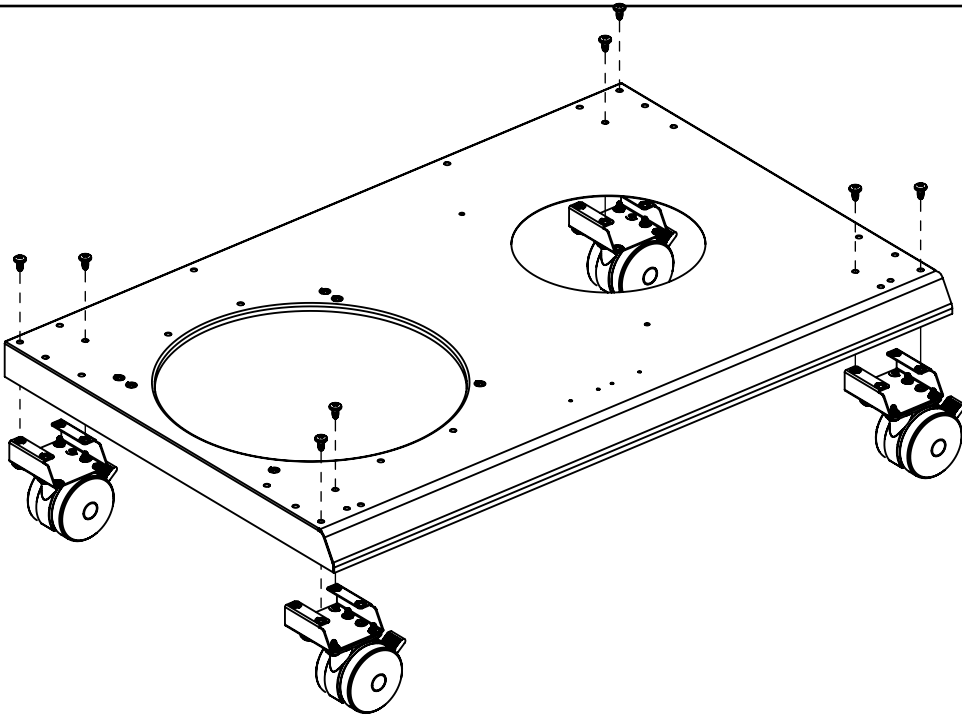
SINCE 1906

1000 EAST MARKET STREET
HUNTINGTON, INDIANA, 46750, USA

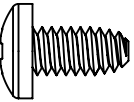
50084-E57EU Rev B 10/15

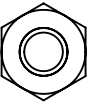
1

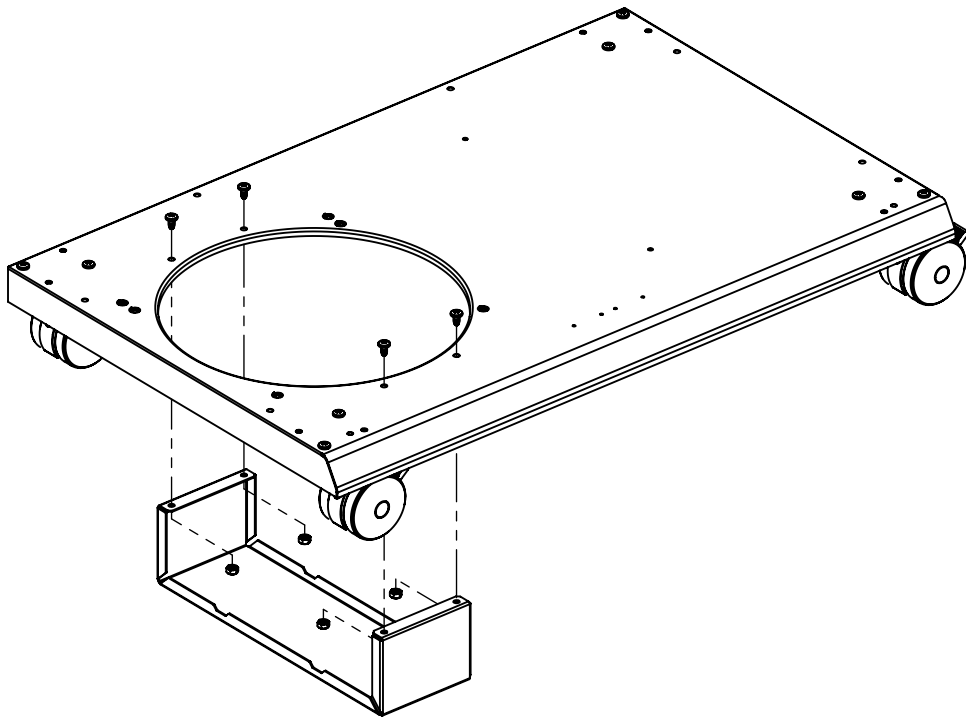
(8) 



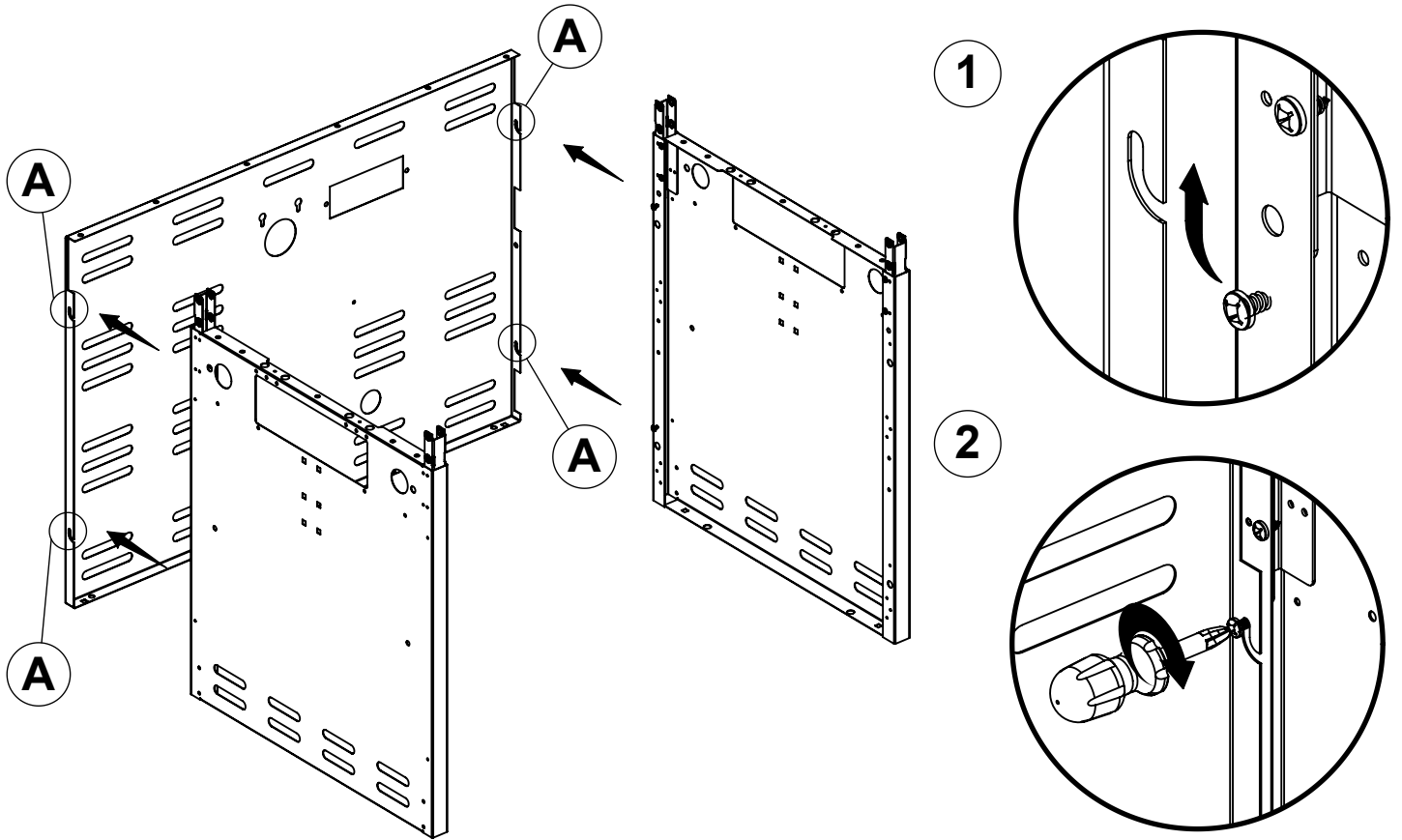
2

(4) 

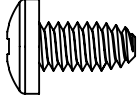
(4) 

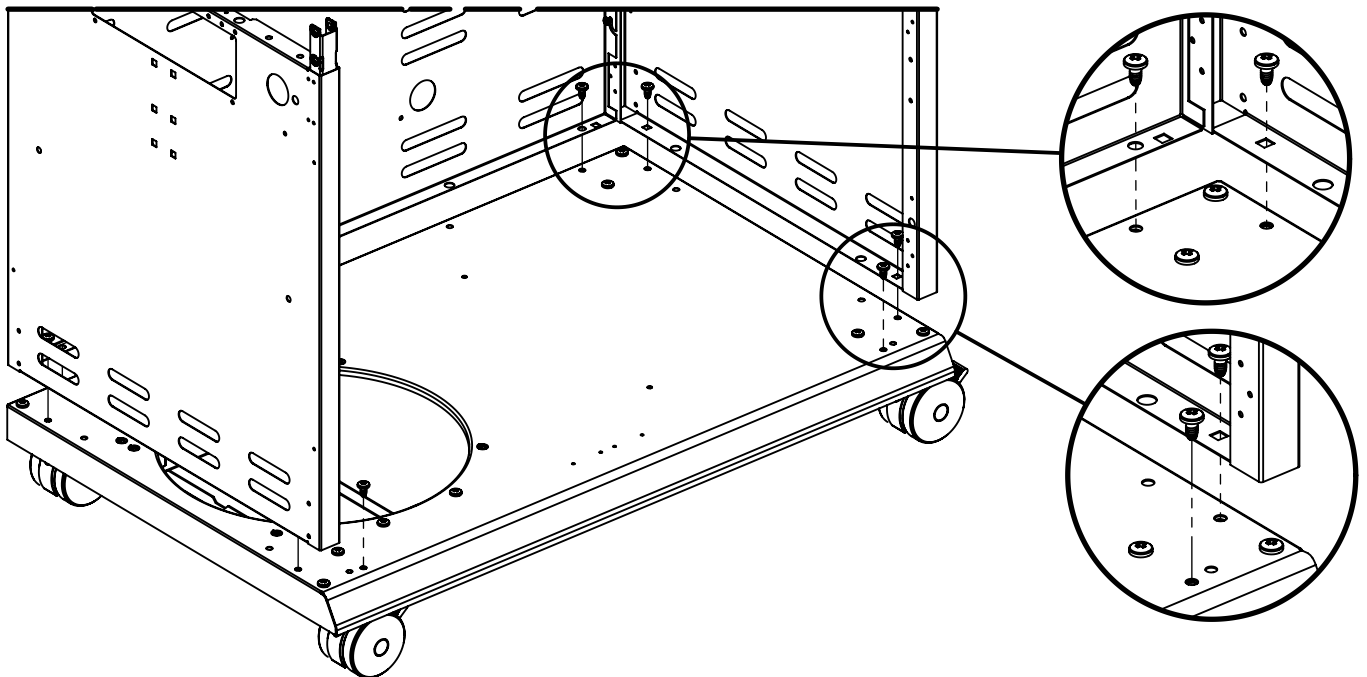


3




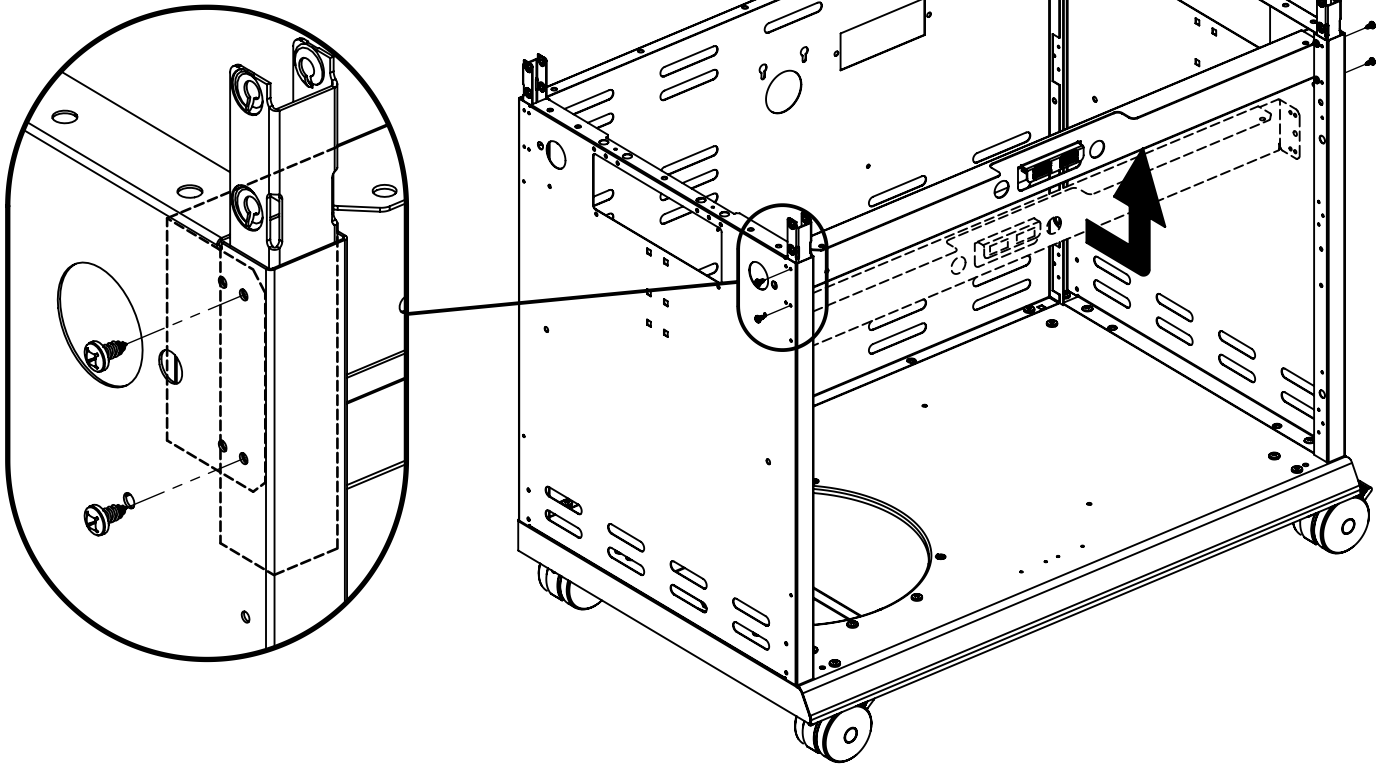
4

(8) 




5

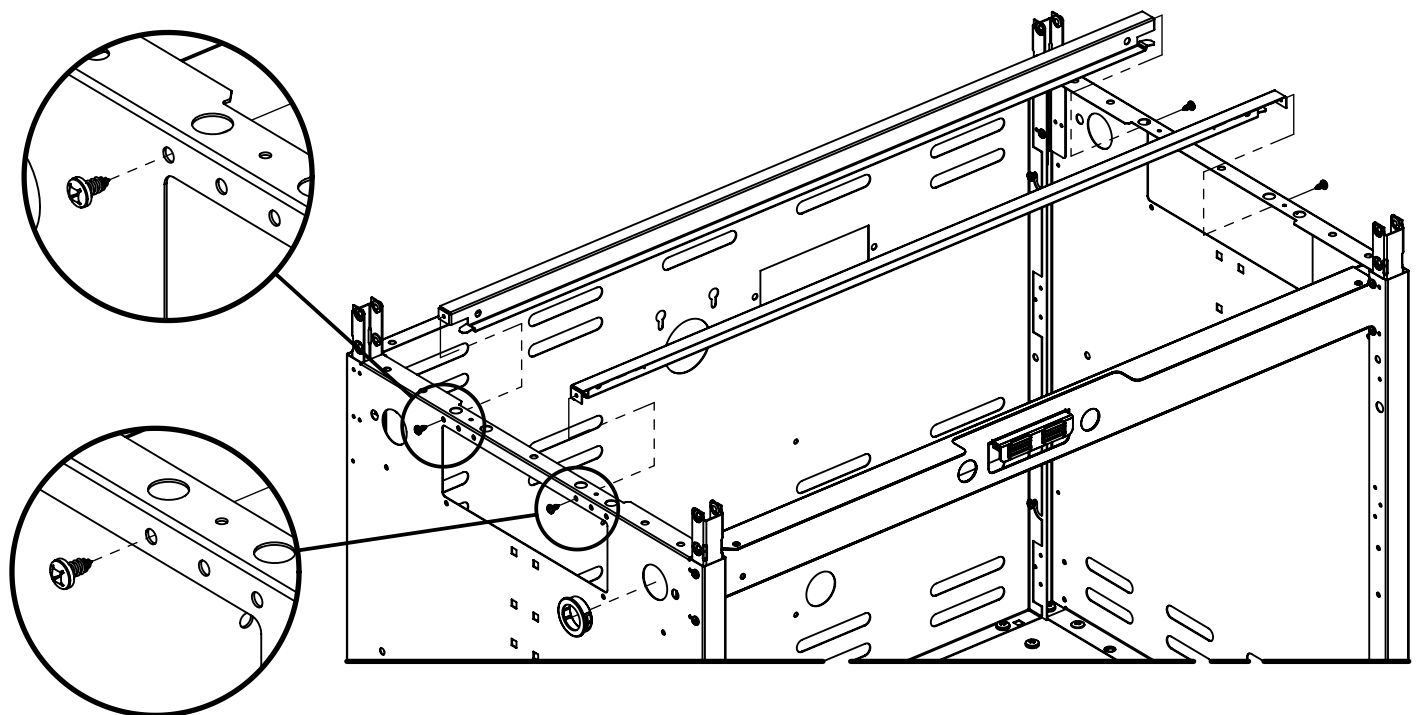
(4) 



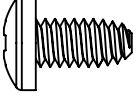
6

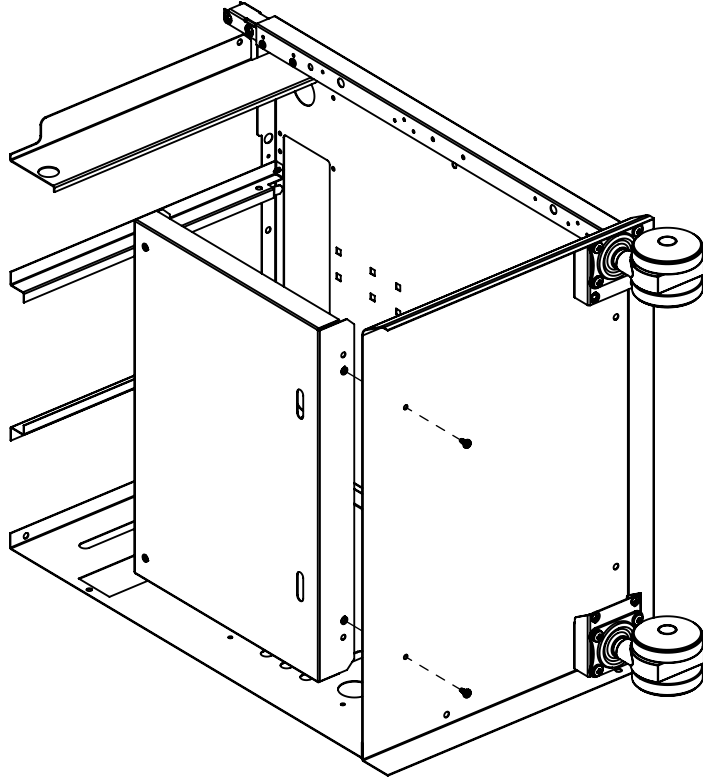
(4) 

(1) 

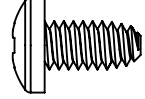


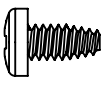
7

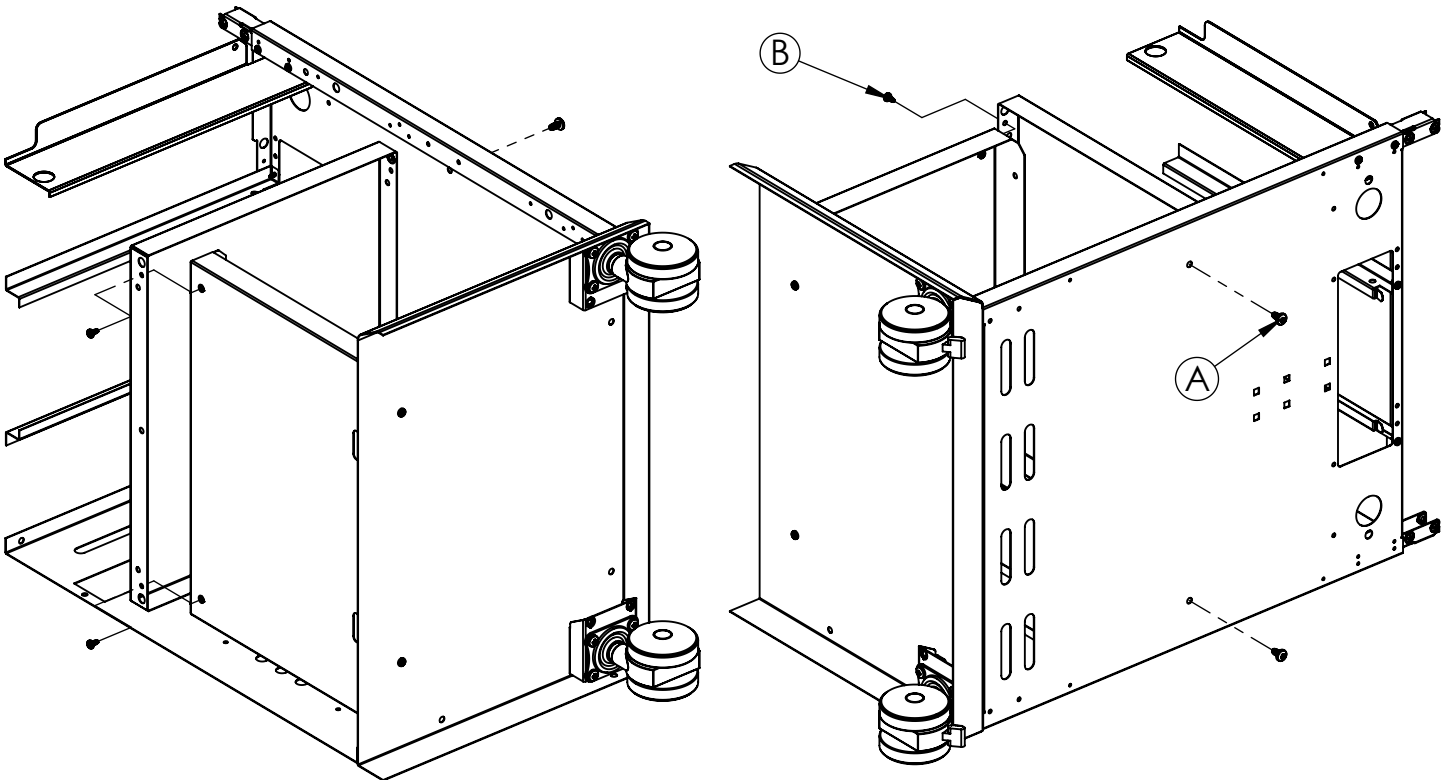
(2) 



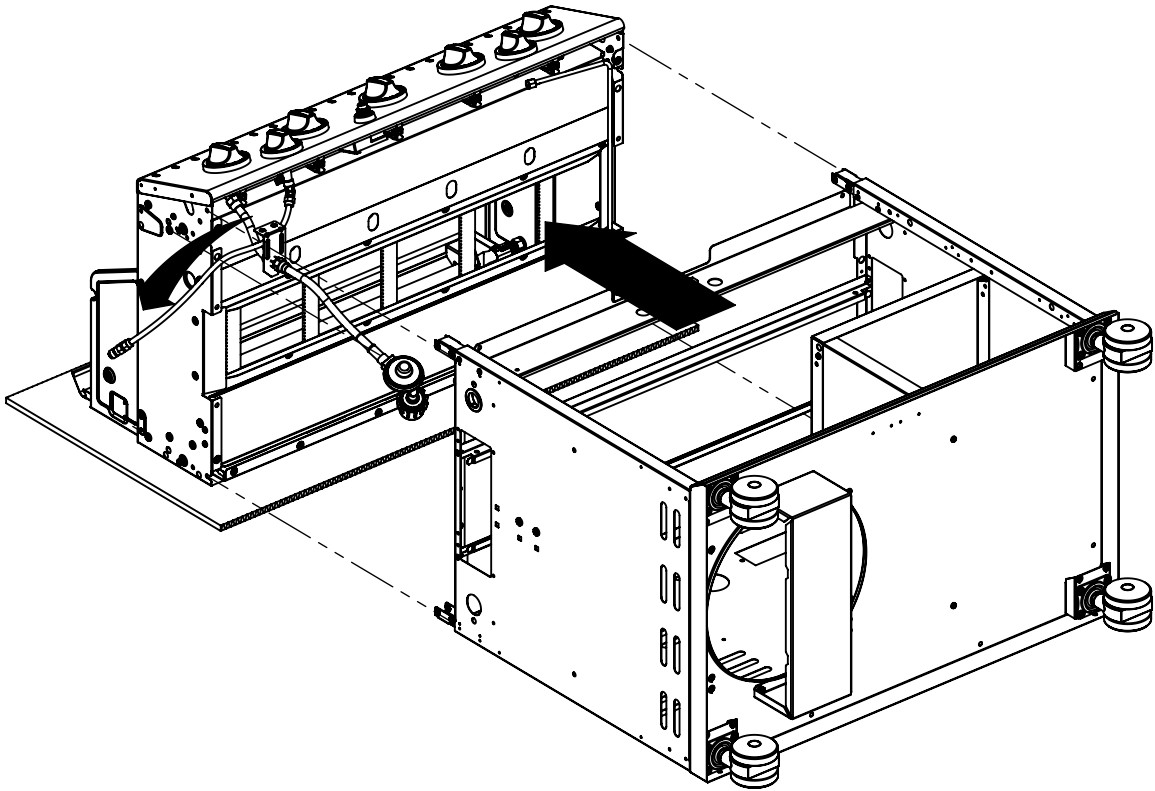
8

(2) 
(A)

(2) 
(B)



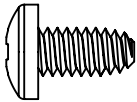
9



10

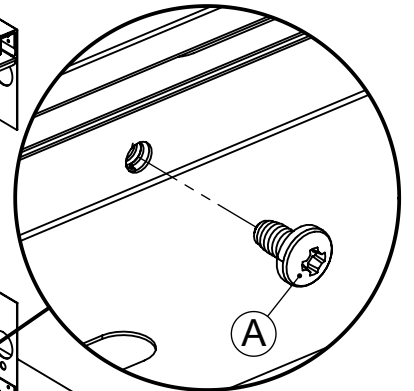
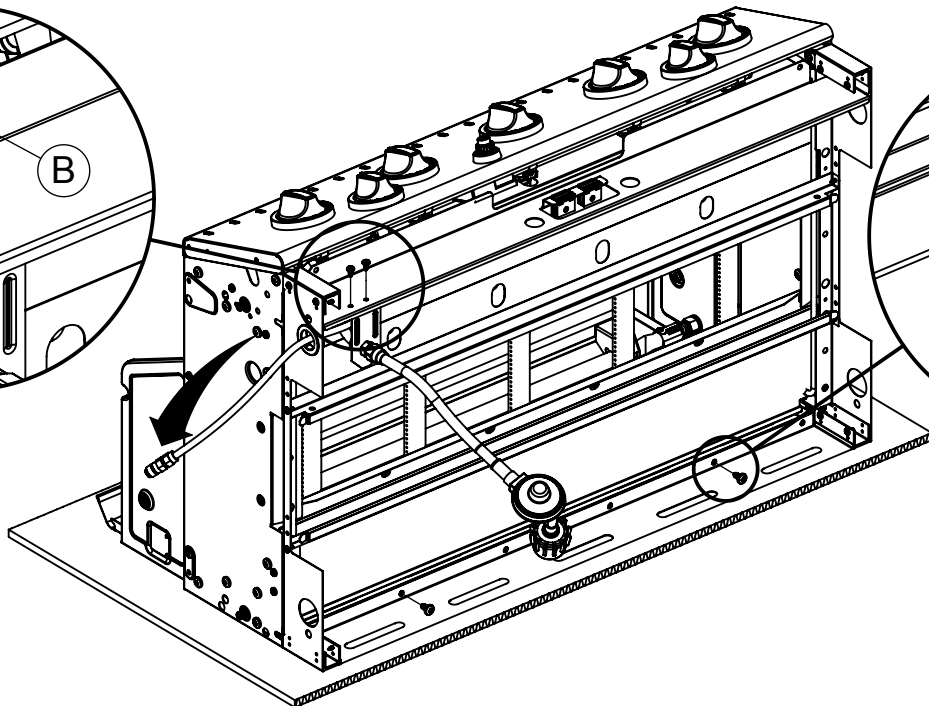
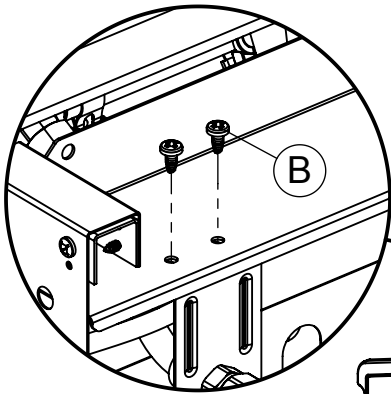
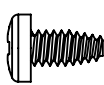
(2)

(A)

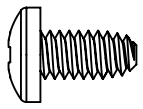


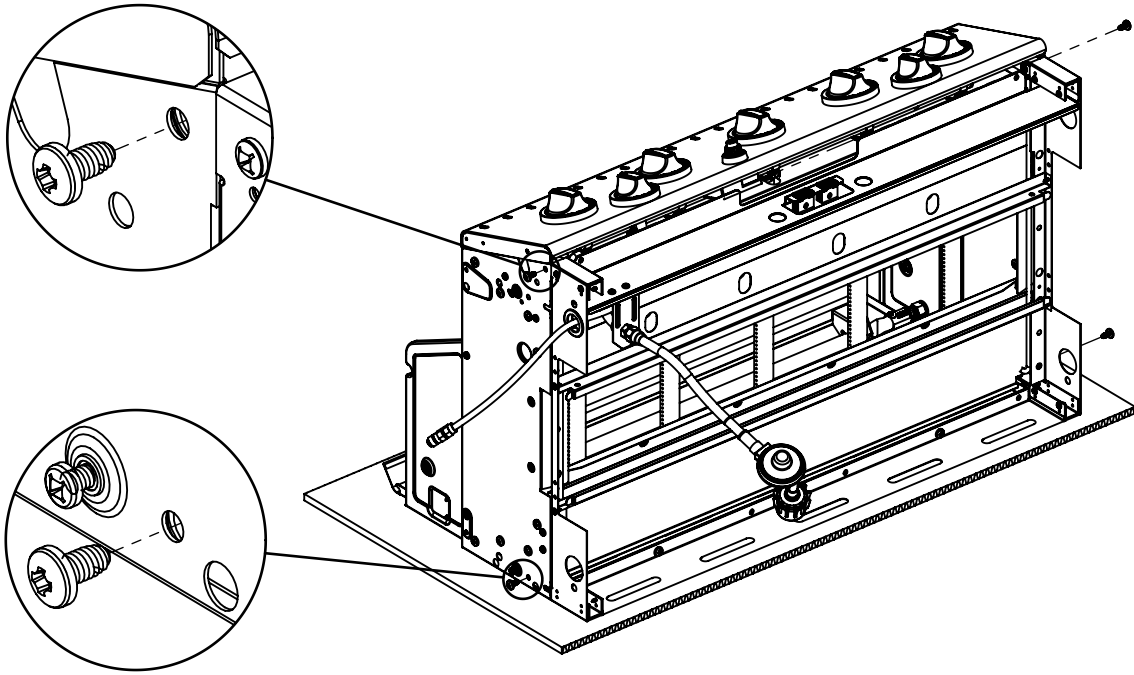
(2)

(B)

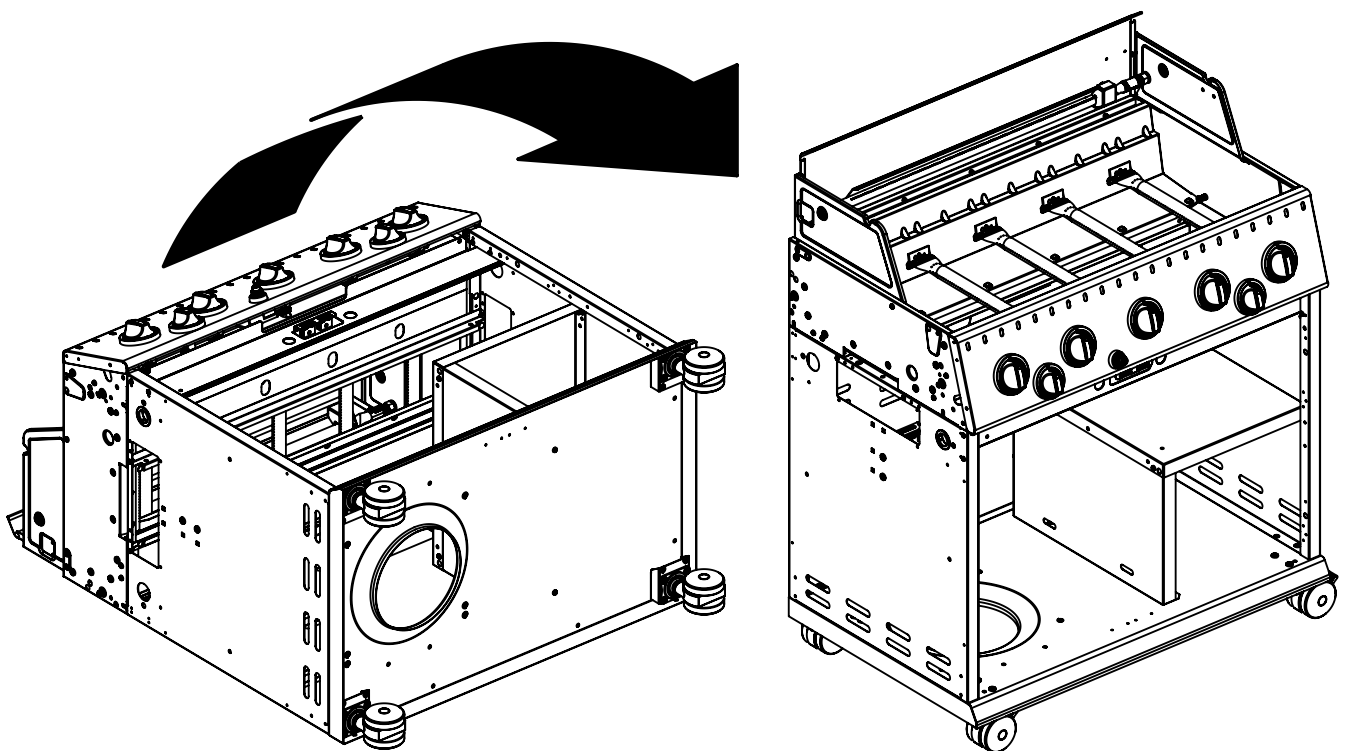
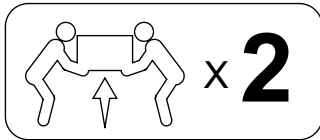


11

(4) 

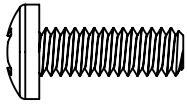


12

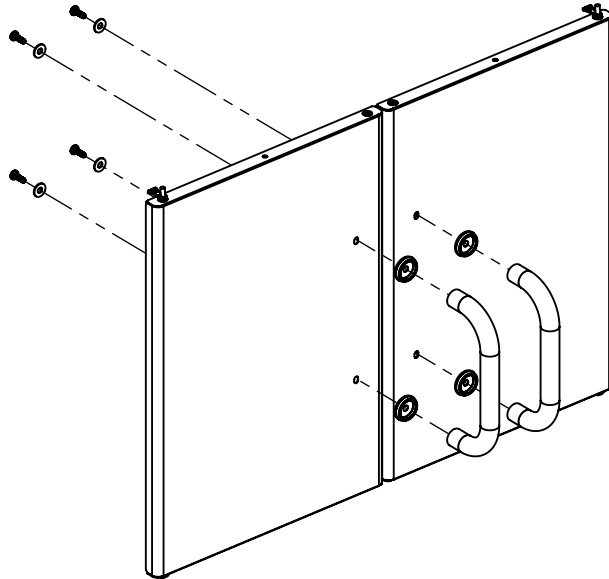
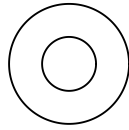


13

(4)

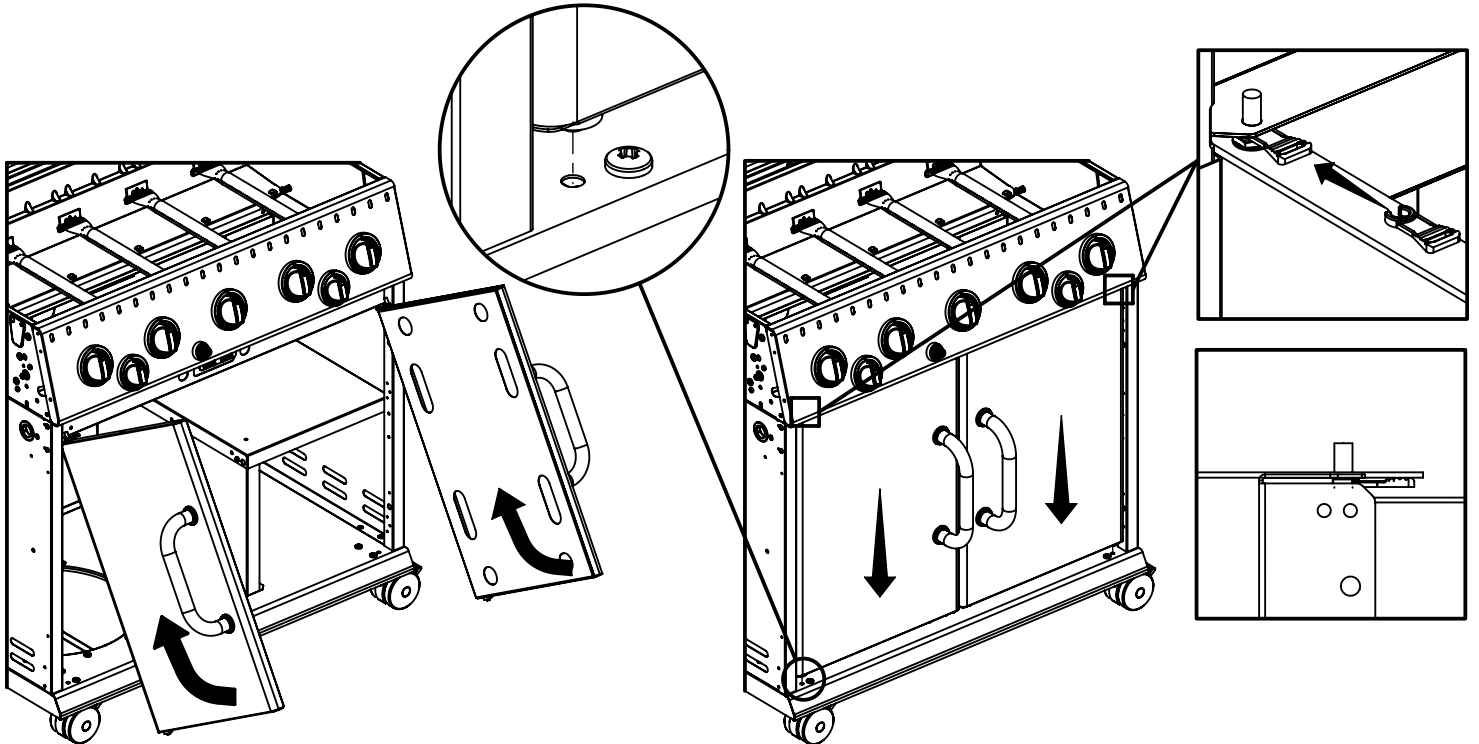
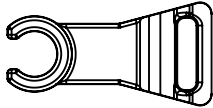


(4)

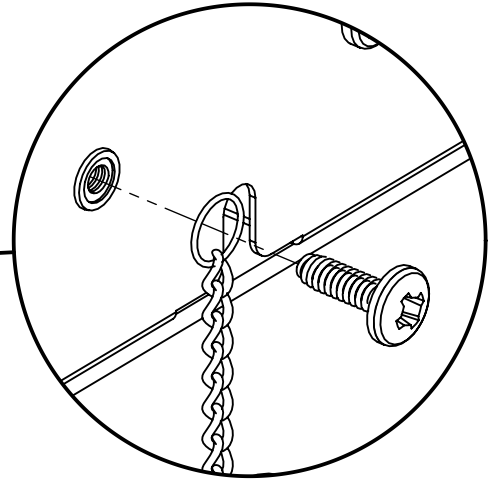
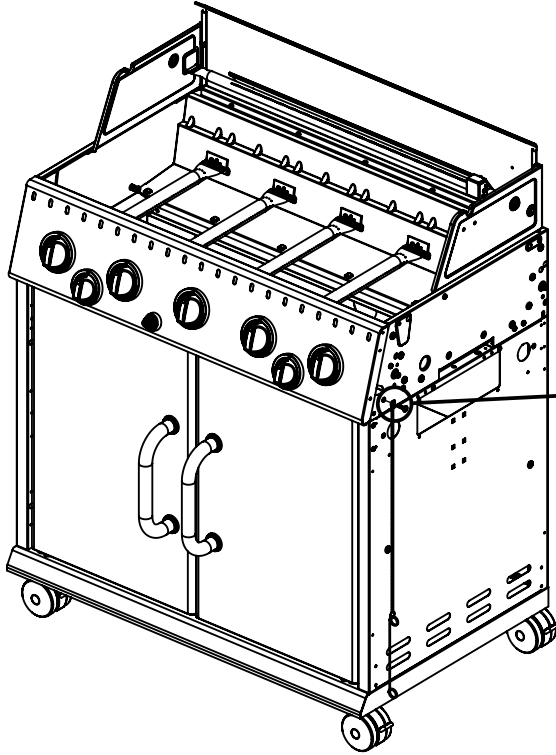
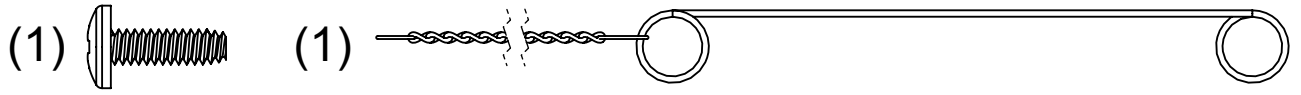


14

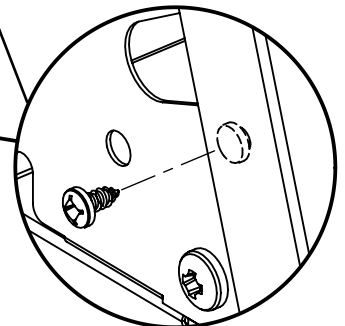
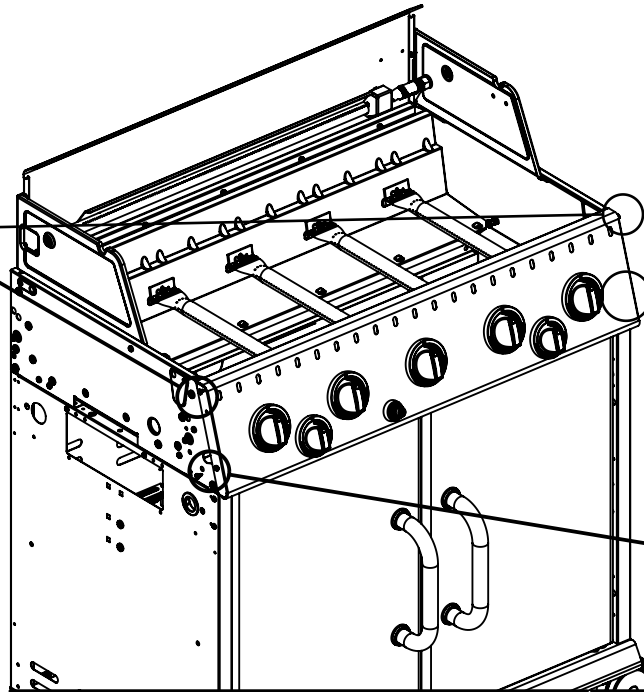
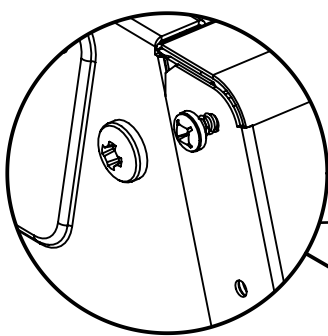
(2)



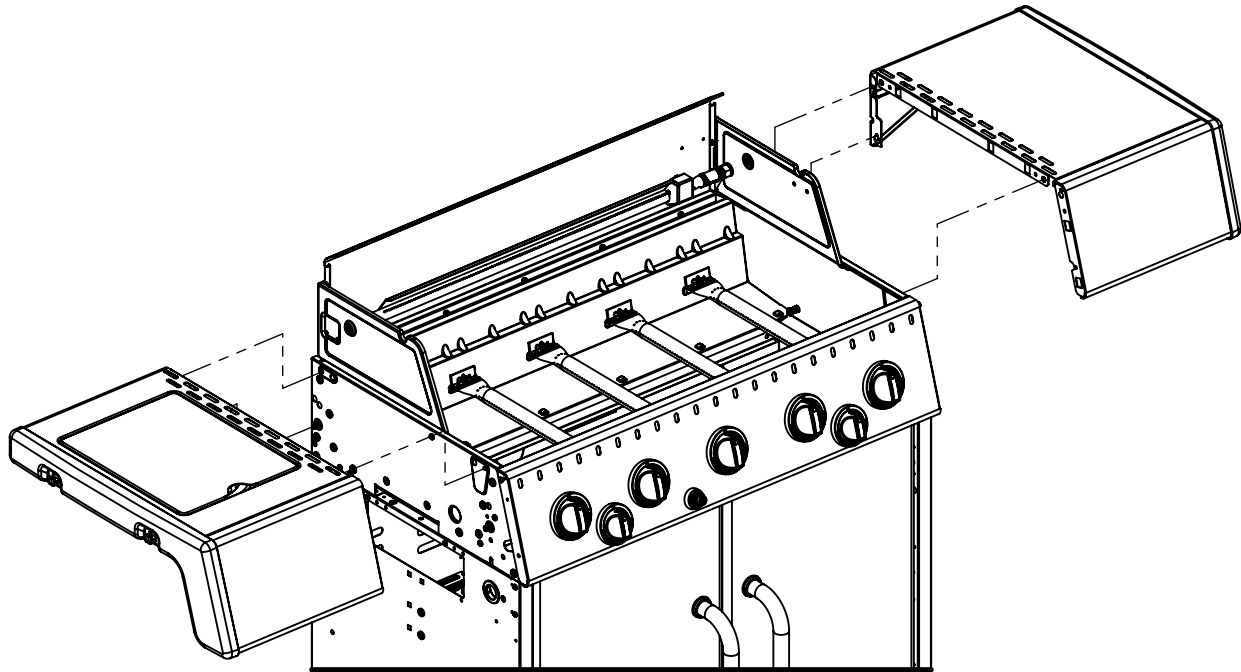
15



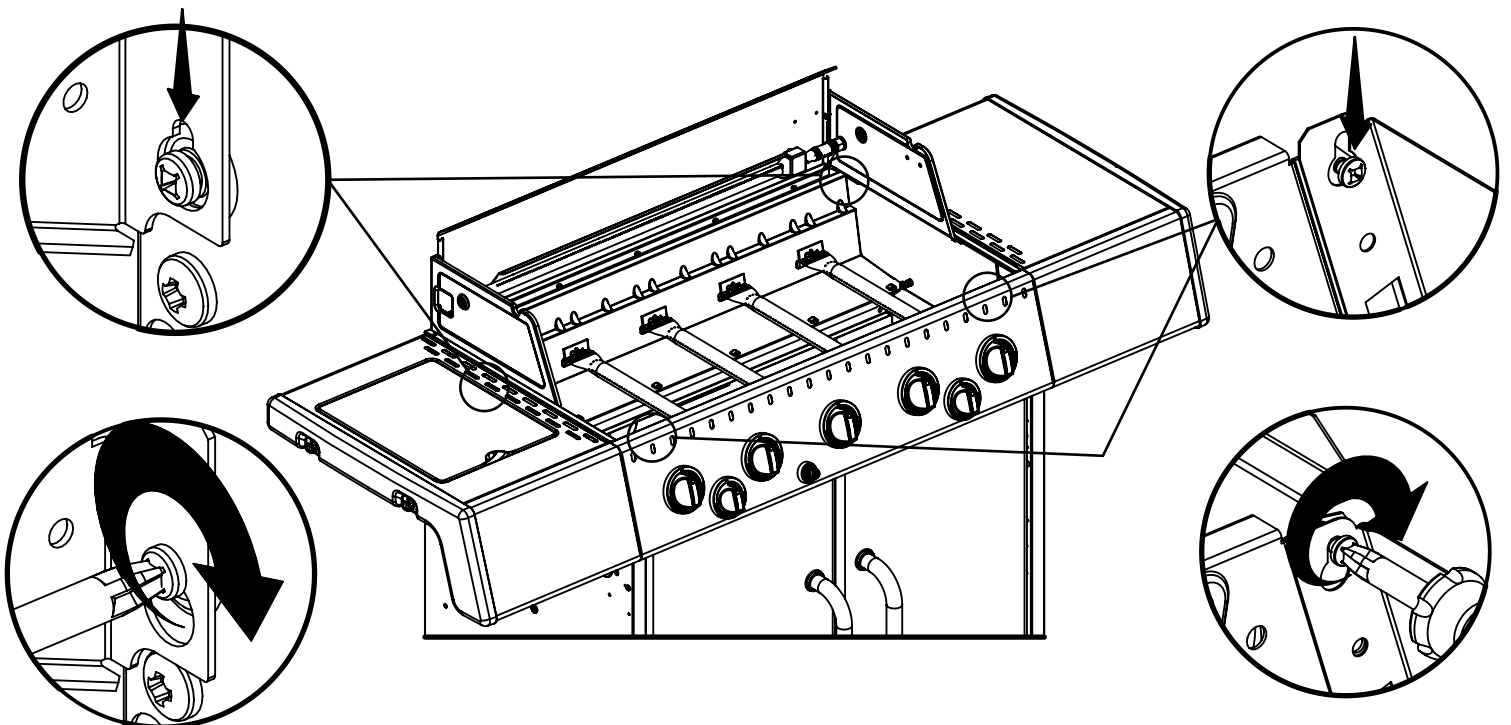
16



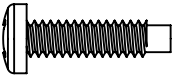
17

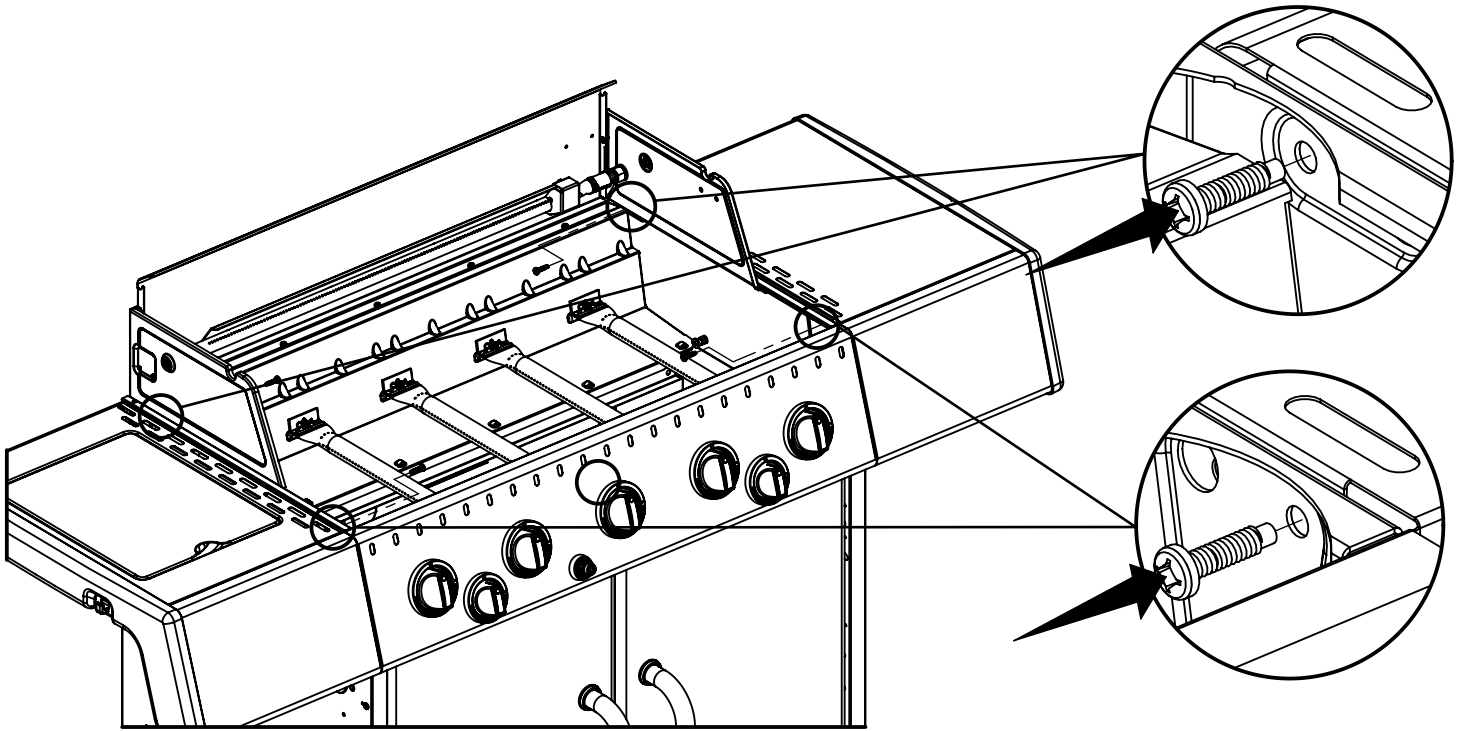


18

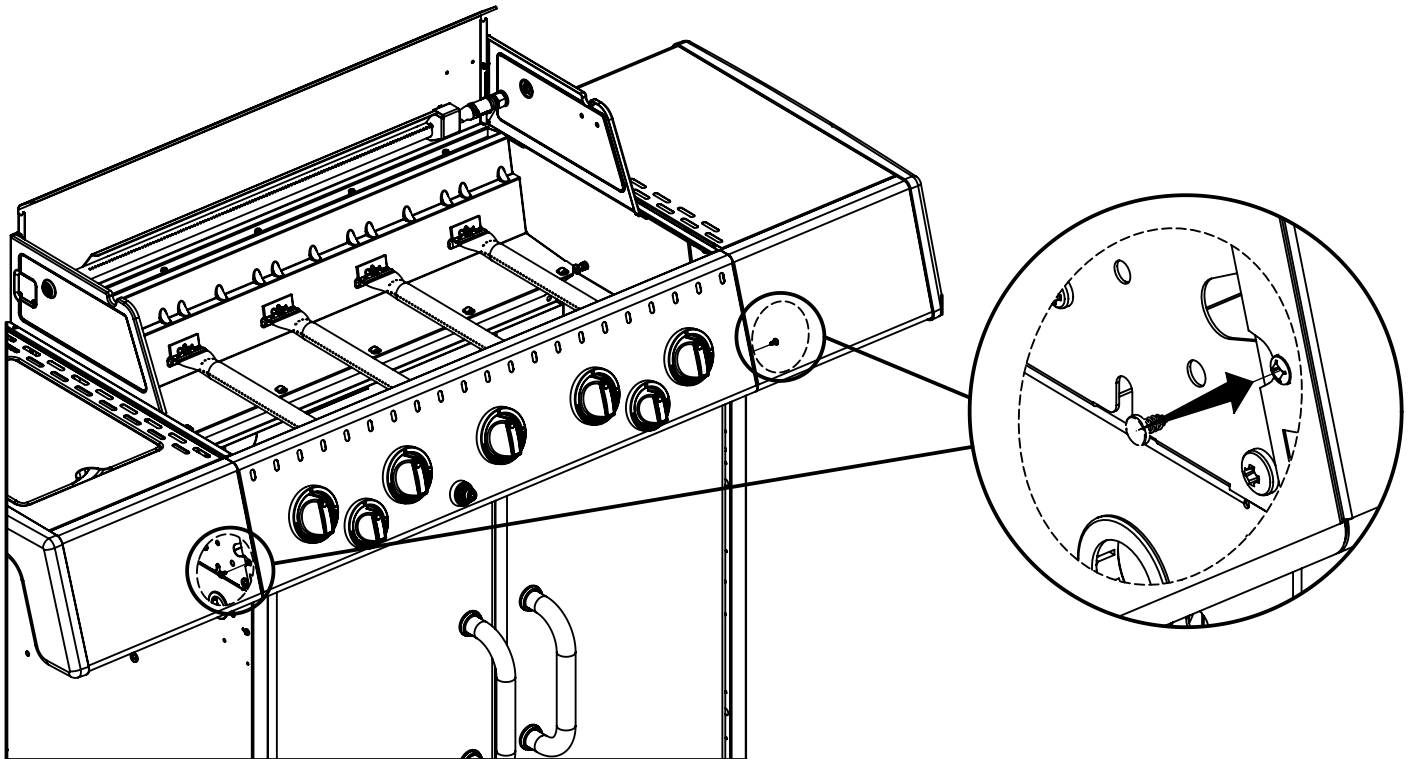


19

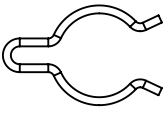
(4) 

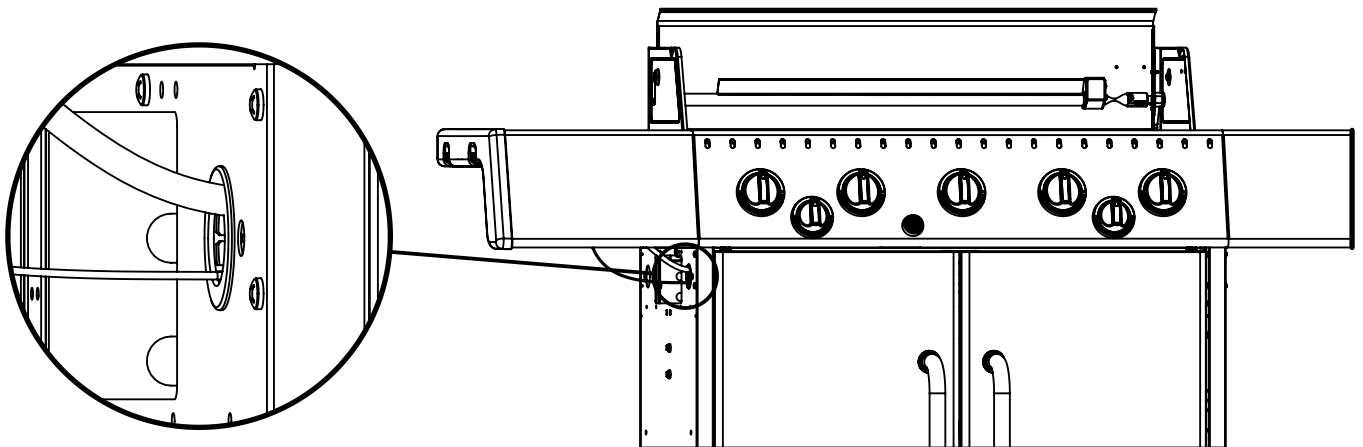
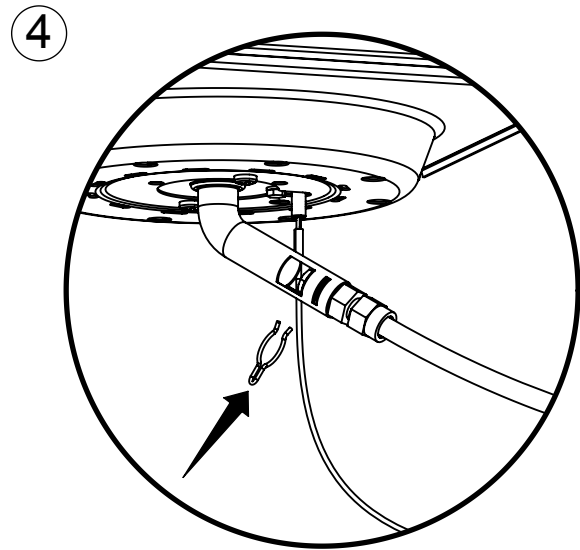
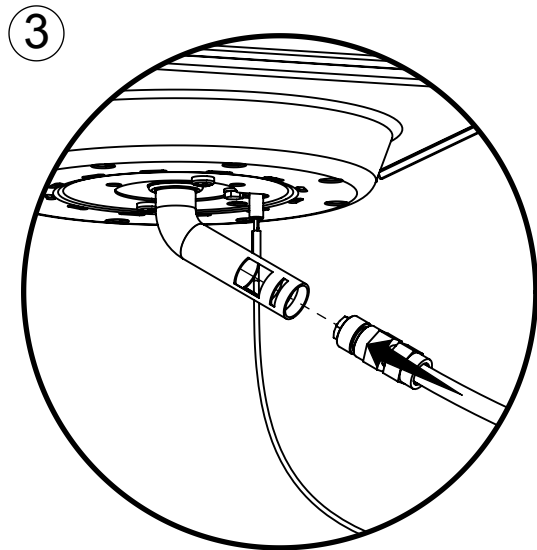
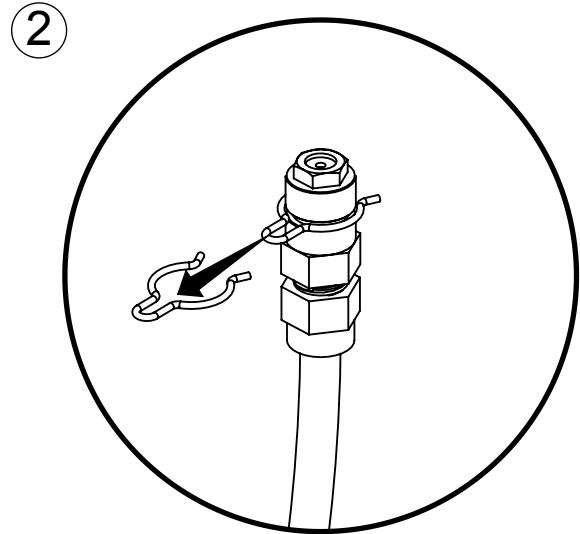
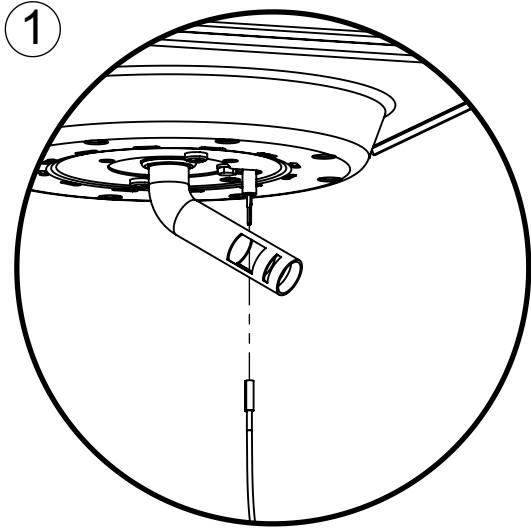


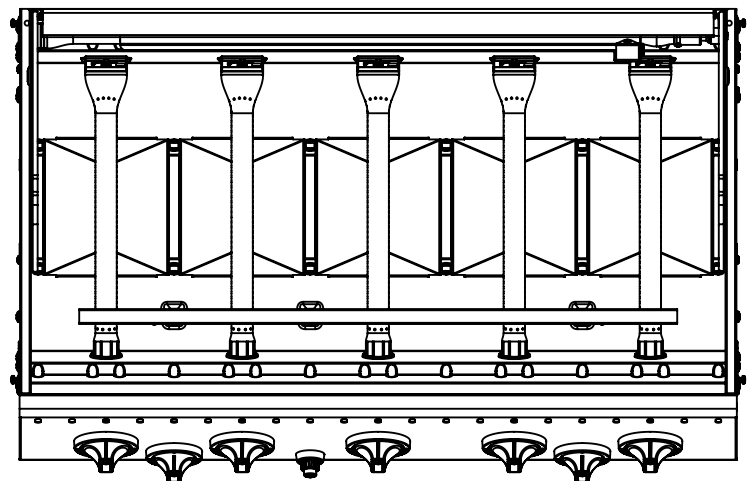
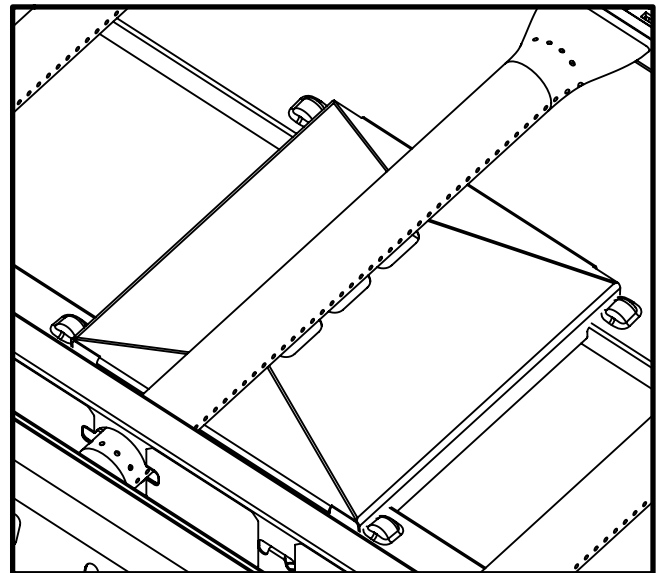
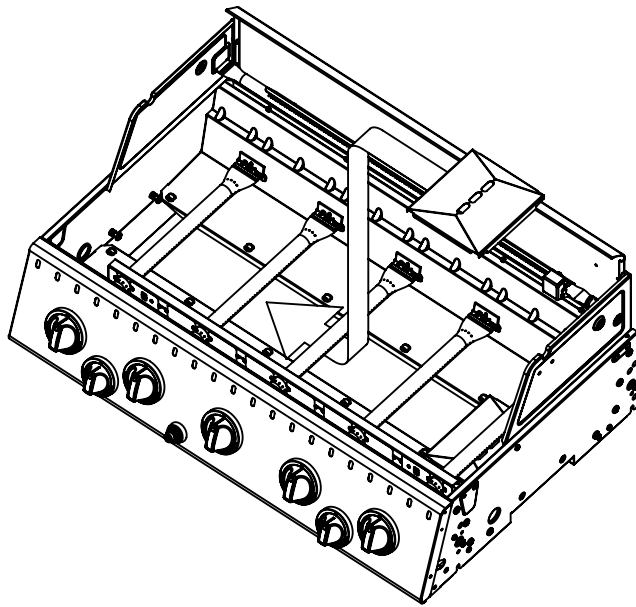
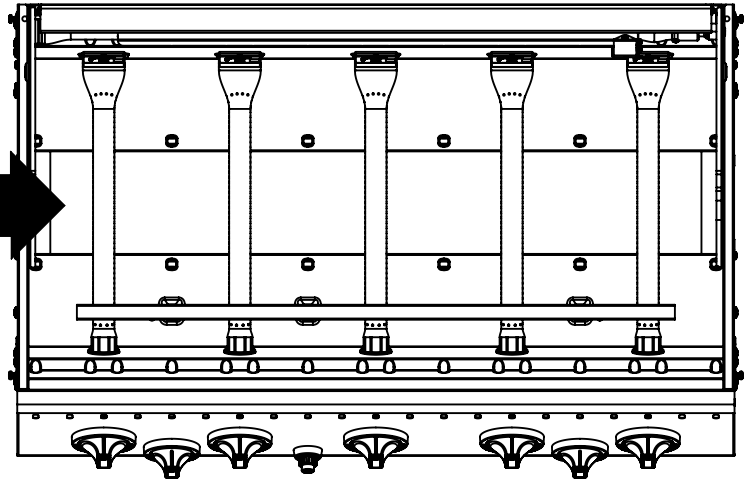
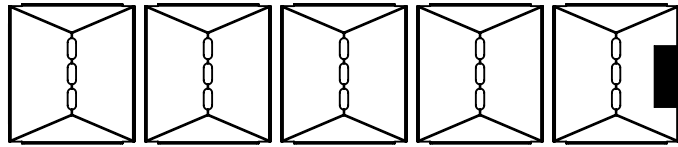
20



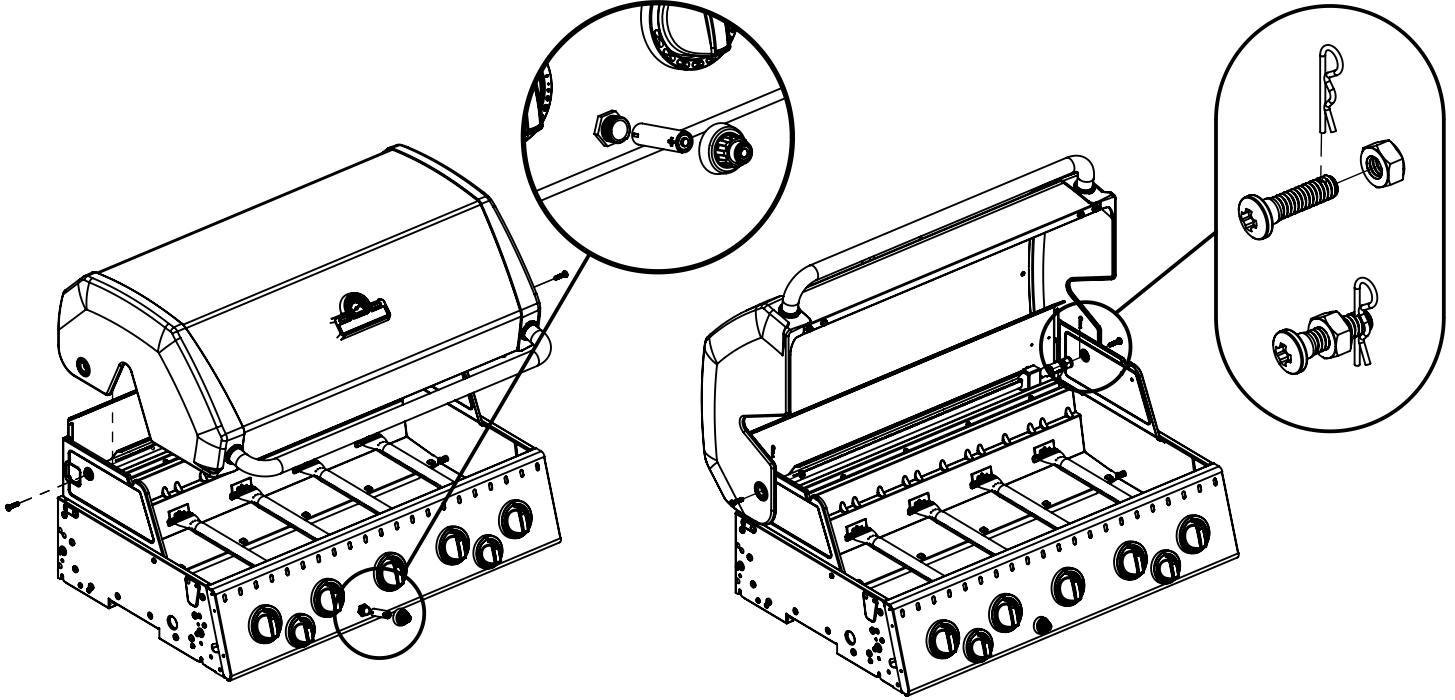
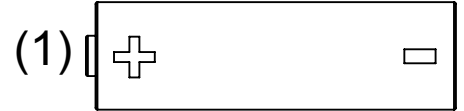
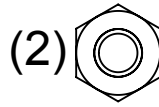
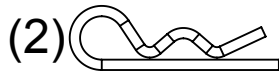
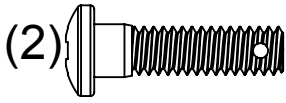
21

(1) 

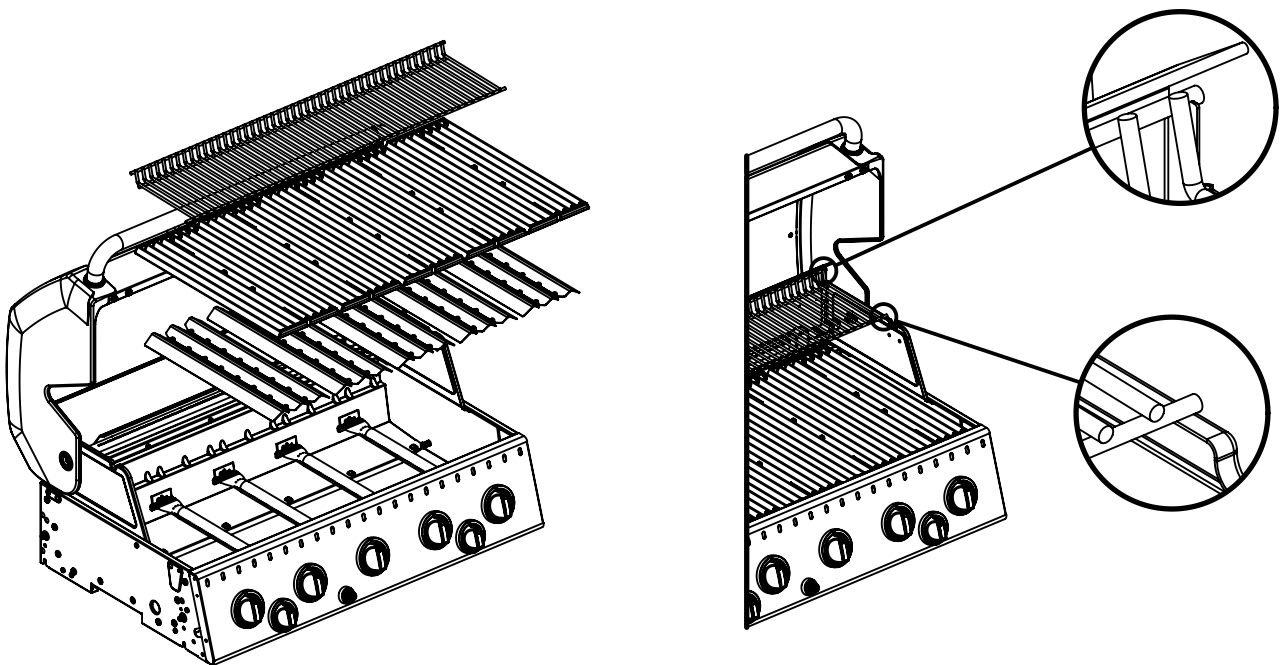




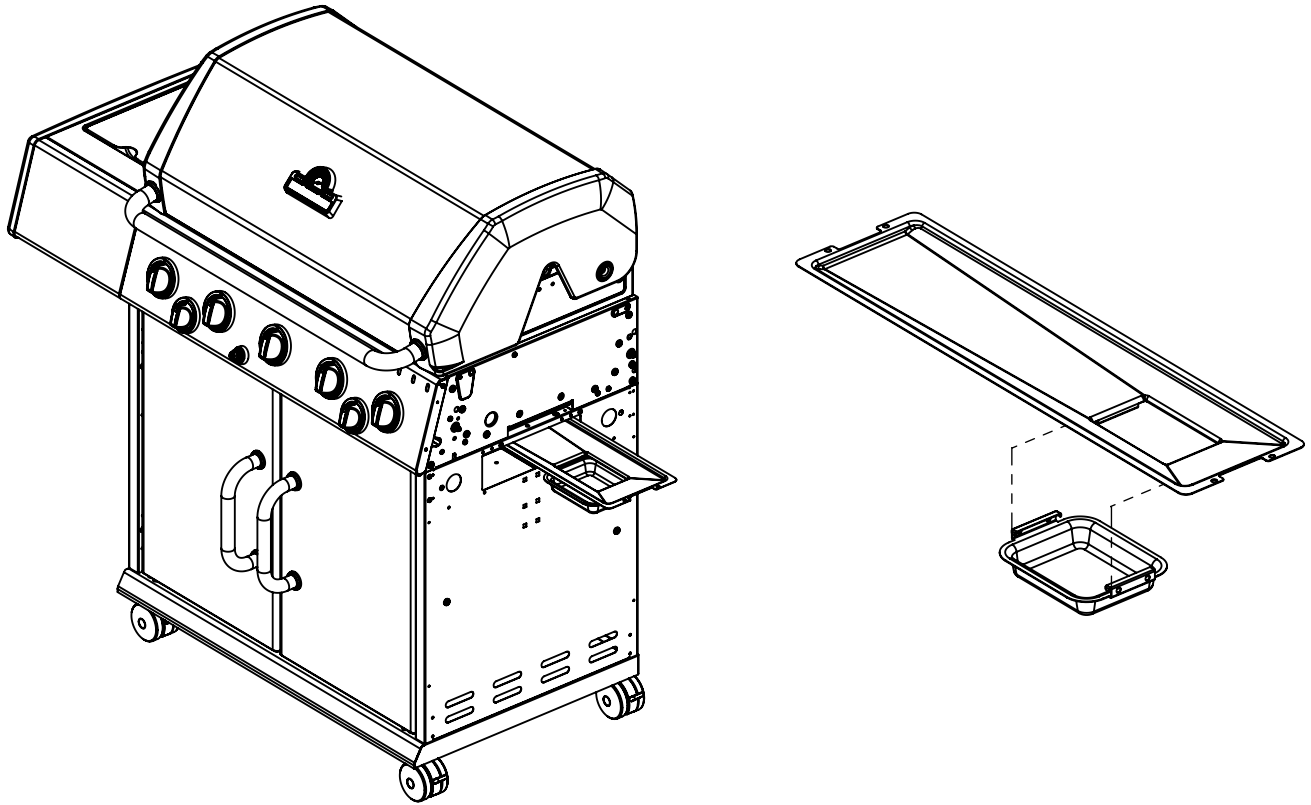
23



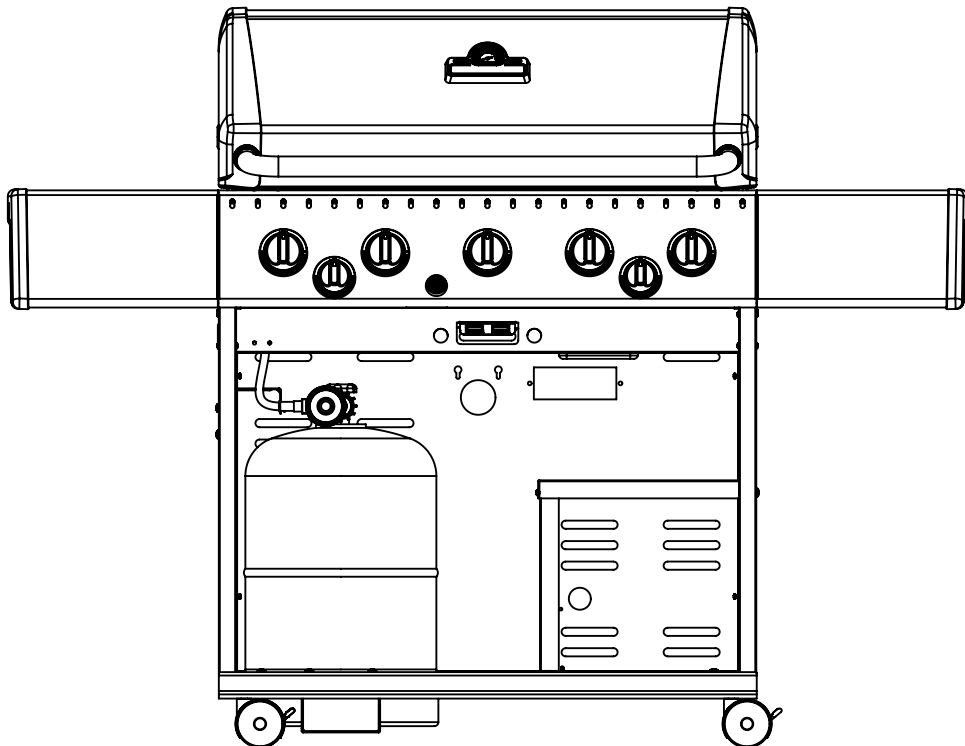
24



25

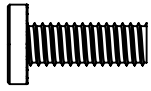


26

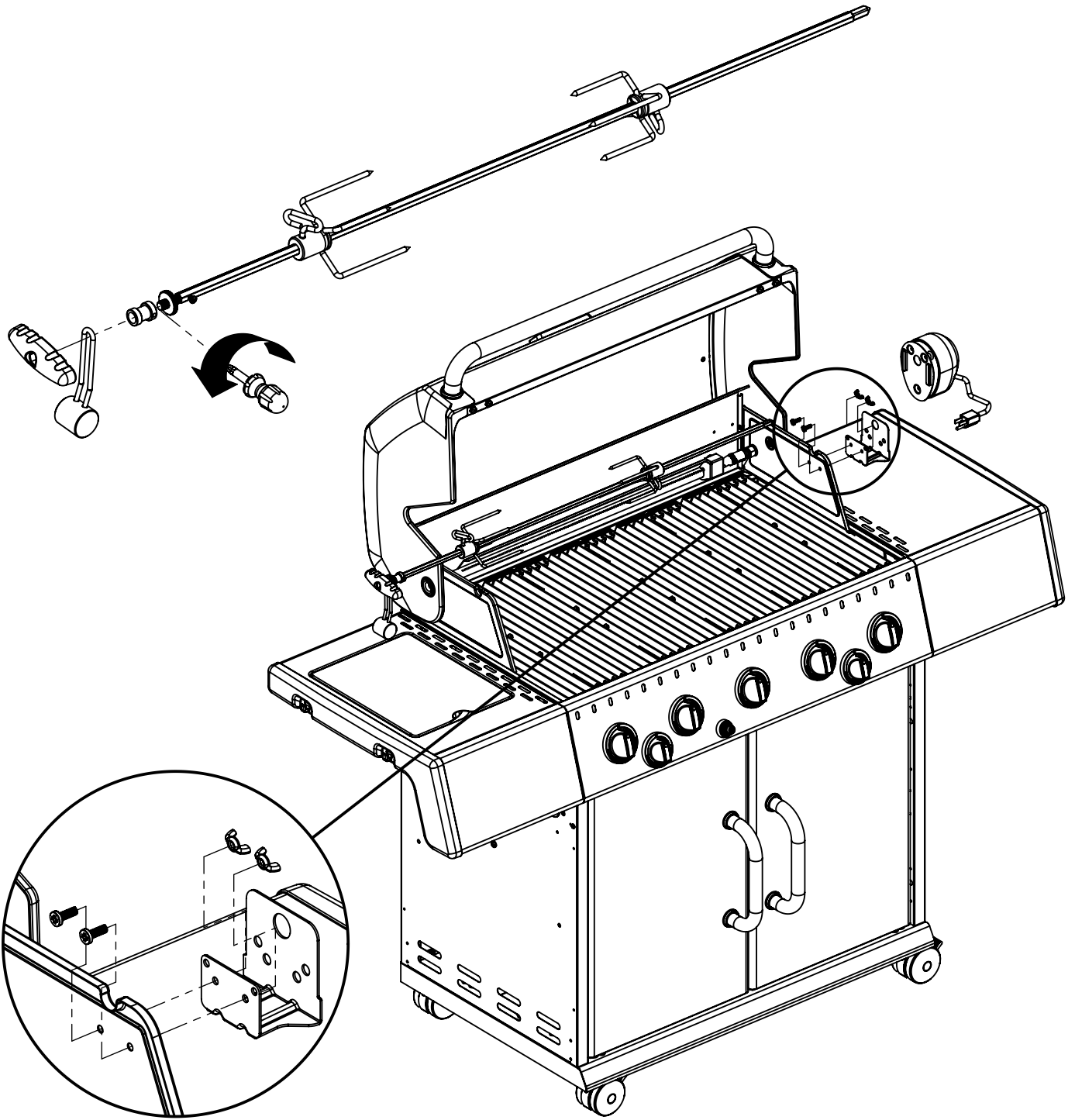
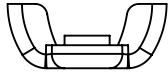


27

(2)



(2)



KEY #	ITEM #	DESCRIPTION	683183	KEY #	ITEM #	DESCRIPTION	683183
1	56104-831	LID - SIDE PANEL - LEFT	1	83	53184-118	SIDE SHELF - END CAP	1
2	56104-811	LID - SIDE PANEL - RIGHT	1	85	53184-138	SIDE SHELF - END CAP	1
3	56316-804	LID - OUTER PANEL	1	86	10390-E10D	SIDE BURNER	•
4	56246-30	LID - INNER PANEL	1		10390-E10E		1
7	24006-12A	HANDLE	1		10390-E10EN		•
8	24009-936	HANDLE BEZEL	2	87	53004-271	SIDE BURNER - BODY	1
9	44080-60	NAMEPLATE	1	88	53000-251	SIDE BURNER - COVER	1
10	10571-6	HEAT INDICATOR	1	89	63139-981	SIDE BURNER GRID	1
11	52114-131R	PANEL - SIDE UPPER - LEFT	1	92	10342-T21	SIDE BURNER ELECTRODE	1
12	52114-111R	PANEL - SIDE UPPER - RIGHT	1	93	53404-114	SIDE SHELF FRONT	2
15	56006-001P	FIREBOX	1	94	23030-611	SIDE SHELF - BRACKET - RIGHT	1
17	27249-904	GREASE SHEILD	5	95	23030-631	SIDE SHELF - BRACKET - LEFT	1
18	52066-91	HEAT SHEILD - FRONT	1	100	Y-12220	GROMMET	1
19	52046-92	HEAT SHEILD - REAR	1	108	10693-099	REAR BURNER ORIFICE	•
22	52306-121	PANEL - REAR	1		10693-104		1
23	52316-151	PANEL - HOOD	1		10693-161		•
25	52909-104D	BURNER - MAIN	•	110	S15271	HANDLE	1
	52909-104E		5	111	S15270	BALANCE	1
	52909-104EN		•	112	S15299	WASHER	1
26	22226-014	COLLECTOR BOX - FRONT LOWER	1	113	S15263	BUSHING	1
27	22216-014	COLLECTOR BOX - FRONT UPPER	1	114	S15259	ROTISSERIE ROD	1
28	52016-304	CONTROL COVER	1	115	S15287	4 PRONG FORK	2
29	59006-075	CONTROL ASSEMBLY	1	116	57039-901	ROTISSERIE BRACKET	1
31	S13473-073	HOSE - SIDE BURNER	•	129	S21123	SCREW - #8 X 1/2	12
	S13473-079		1	130	Y-12835	SCREW - #6 X 1/4	2
	S13473-118		•	131	S21125	SCREW - #8 X 3/8	20
32	10111-15A	HOSE	1	132	S21124	SCREW - #8 X 1/2	14
33	27906-354	BURNER - ROTISSERIE	1	133	Y-12646	SCREW - SHOULDER #8 X 1/2	12
34	S15508	ELECTRODE	1	134	Y-29304	SCREW - #10-24 X 3/8	34
35	50809-957	TUBE - REAR BURNER ASSEMBLY	1	135	S35094	SCREW - #10-24 X 5/8	1
36	Y-11990	NUT HEX	1	136	Y-29310	SCREW - #10-24 X 3/4	8
38	22002-268	CONTROL BEZEL	5	138	S21084	SCREW - #14X5/8 HWH	•
39	22001-168	CONTROL BEZEL	2	140	Y-12865	SCREW - 1/4-20 X 1/2	58
40	10472-K431	CONTROL KNOB	5	142	Y-12860	SCREW - 1/4-20 X 1	2
41	10472-K231	CONTROL KNOB	2	145	Y-11546	SCREW - SHOULDER 1/4-20 X 5/8	6
42	10342-251	ELECTRONIC IGNITOR	1	146	S35095	SCREW - #10-24 X 5/8	2
43	10342-E13	ELECTRODE	3	150	Y-29307	NUT - #10-24	2
44	52209-404	FLAV-R-WAVE ®	5	151	Y-11793	NUT - 1/4-20	2
45a	52005-281	GRID	5	153	Y-11795	NUT - 1/4-20 LOCK	2
45b	52006-281	GRID	•	154	S21061	WING NUT #10	2
46	52006-991	GRID - WARMING RACK	1	160	Y-12857	WASHER	•
47	27056-901	GREASE TRAY	1	161	S21255	WASHER	6
48	21036-991	GREASE TRAY - RAIL	2	162	Y-12870	WASHER #10	12
49	52009-902	GREASE PAN	1	163	S21252	WASHER - M4	10
50	51176-131A	DOOR -LEFT	1	169	S21233	CLIP	2
51	51176-111A	DOOR - RIGHT	1	170	10240-23	HINGE PIN	2
57	21071-13	DOOR HANDLE	2	171	S21242	CLIP	5
58	21070-13	HANDLE BEZEL	4	172	Y-11544	BURNER SCREW	5
60	21109-905	CABINET - SIDE PANEL	2	173	10240-19	DOOR HINGE PIN - TOP	2
61	21306-925	CABINET - REAR PANEL	1	174	10240-20	DOOR HINGE PIN - BOTTOM	2
65	51616-235	CABINET - LOWER BASE	1	175	Y-12127	DOOR CLIP	2
66	21039-301	TANK BRACKET	1	176	Y-12124	DOOR HINGE COVER	2
67	51336-211	MAGNET BRACKET	1	177	Y-12222	MAGNET	2
68	57139-13	CABINET BRACKET	4	178	Y-12223	MAGNET - SNAP IN	2
70	25208-201	CABINET SHELF	1	180	Y-11235	LID BUMPER	4
71	21036-901	CABINET SHELF SUPPORT	1	181	Y-11231	LID BUMPER - ROUND	2
73	51039-951	CASTER BRACKET	4	182	20005-000	MATCH LIGHT CHAIN	1
74	10892-23	CASTER	4	184	S21362	SPRING	1
80	53104-111	SIDE SHELF	1	185	S15245	MOTOR	1
81	53104-151	SIDE SHELF - SIDE BURNER	1				

