

This Owner's Manual is provided and hosted by [Appliance Factory Parts](#).



HUNTINGTON 681257 Owner's Manual

[Shop genuine replacement parts for HUNTINGTON
681257](#)



[Find Your HUNTINGTON Grill Parts - Select From 154 Models](#)

----- Manual continues below part list -----

Available Replacement Parts for HUNTINGTON 681257

S21233	HITCH PIN CLIP +
Y-12860	SCREW-THCP 1/4-20 X 1-TY-C A04
Y-11793	NUT HEX 1/4 20 JS500 +
Y-12835	SCREW-PHCP 6-32X1/4 TY-F JS500
Y-29307	NUT HEX #10-24 JS500
10240-13	WHEEL PIN
Y-11230	HAIRPIN COTTER SIDE BURNER +
Y-11546	SCREW PHCP 1/4-20X5/8 INCH A04#A
S21124	SCREW PHCP #8 X 12 +
10390-E10	BURNER SIDE 10BTU W/ELEC #8 +
Y-29304	SCREW PHCP #10 24x3/8
S21125	SCREW 8 X 3/8 PAN HEAD
S35094	SCREW #10-24 X 5/8
10342-246	IGNITOR ELECTRONIC TRIPLE +
Y-11231	LID BUMPER ROUND BLK
10342-E13	ELECTRODE W/WIRE
10342-T18	WIRE ELECTRODE S/B 600 +
18431	FLAV-R-WAVE - BARON - SS
52007-181	COOKING GRID 550 PORC BLK +
10240-23	LID PIN 1/4-20
Y-29310	SCREW #10-24 3/4 TRUSS QU
20005-000	HARDWARE BAG STICK & CHAIN SS
80012	regulator and hose READ ADD. INFO
10342-245	IGNITOR ELECTRONIC DUAL +
10892-608	WHEEL 6 INCH
22049-102	GREASE TRAY BRACKET GAL 330/440/550
24004-12A	LID HANDLE BENT 330 430SS
51429-158	RESIN FOOT 330/440
53184-118	SHELF END CAP RHS 330/440
53184-138	SHELF END CAP LHS 330/440

53404-114	SHELF FRONT FACIA RHS 330/440
57154-901	GREASE TRY 340/401 0.8MM BLK HI HEAT PNT
59004-014	VALVE ASSY 330 3V LP
59004-017	VALVE ASSEMBLY 3V NG
59004-034	VALVE ASSEMBLY 3V+SB LP
59004-037	VALVE ASSEMBLY 3V+SB NG
53009-951	SIDE BURNER TRIVET BLK
Y-11235	LID BUMPER HEX-BLK AB
Y-12865	SCREW 1/4 X 20X1/2 TYPE-C PHCP
18010	LID HEAT INDICATOR - SMALL - SS
52004-091	WARMING RACK PORC BLK 330
52249-404	HEAT TENT SS
53104-111	SHELF RHS BLK 330/440
S21242	CLIP BURNER TUBE MOUNT SS
52924-144R	BURNER - MAIN
Y-11544S	SCREW - BURNER #10-24 X 3/8
10111-K45	HOSE 3/8 INCH ASSEMBLY NG 10 FOOT +
24009-936	HANDLE RING
10472-K431	CONTRL KNOB RESIN LRG BLCK W/SS BA STRIP
22001-168	CONTROL KNOB BEZEL SML
22002-268	CONTROL KNOB BEZEL LARGE
52009-901	GREASE PAN - BLACK HIGH HEAT PAINT
52904-144NG	BURNER ASSY MAIN SINGLE TUBE + NG
27249-904	GREASE SHIELD MODULAR, 6.5 x 6

OMC

ASSEMBLY MANUAL & PARTS LIST • MANUEL DE MONTAGE & LISTE DE PIÈCES • MANUAL DE ARMADO Y LISTA DE PARTES



STERLING 6

581264B
581267B

HUNTINGTON™

681264B
681267B

broil-mate™

781264B
781267B



STERLING 6

581264
581267

HUNTINGTON™

681264
681267

broil-mate™

781264
781267



STERLING 6

581254B
581257B

HUNTINGTON™

681254B
681257B

broil-mate™

781254B
781257B



STERLING 6

581254
581257

HUNTINGTON™

681254
681257

broil-mate™

781254
781257

RETAIN FOR FUTURE REFERENCE • VEUILLEZ CONSERVER POUR REFERENCE ULTERIEURE • CONSERVAR PARA FUTURAS CONSULTAS

1-800-265-2150

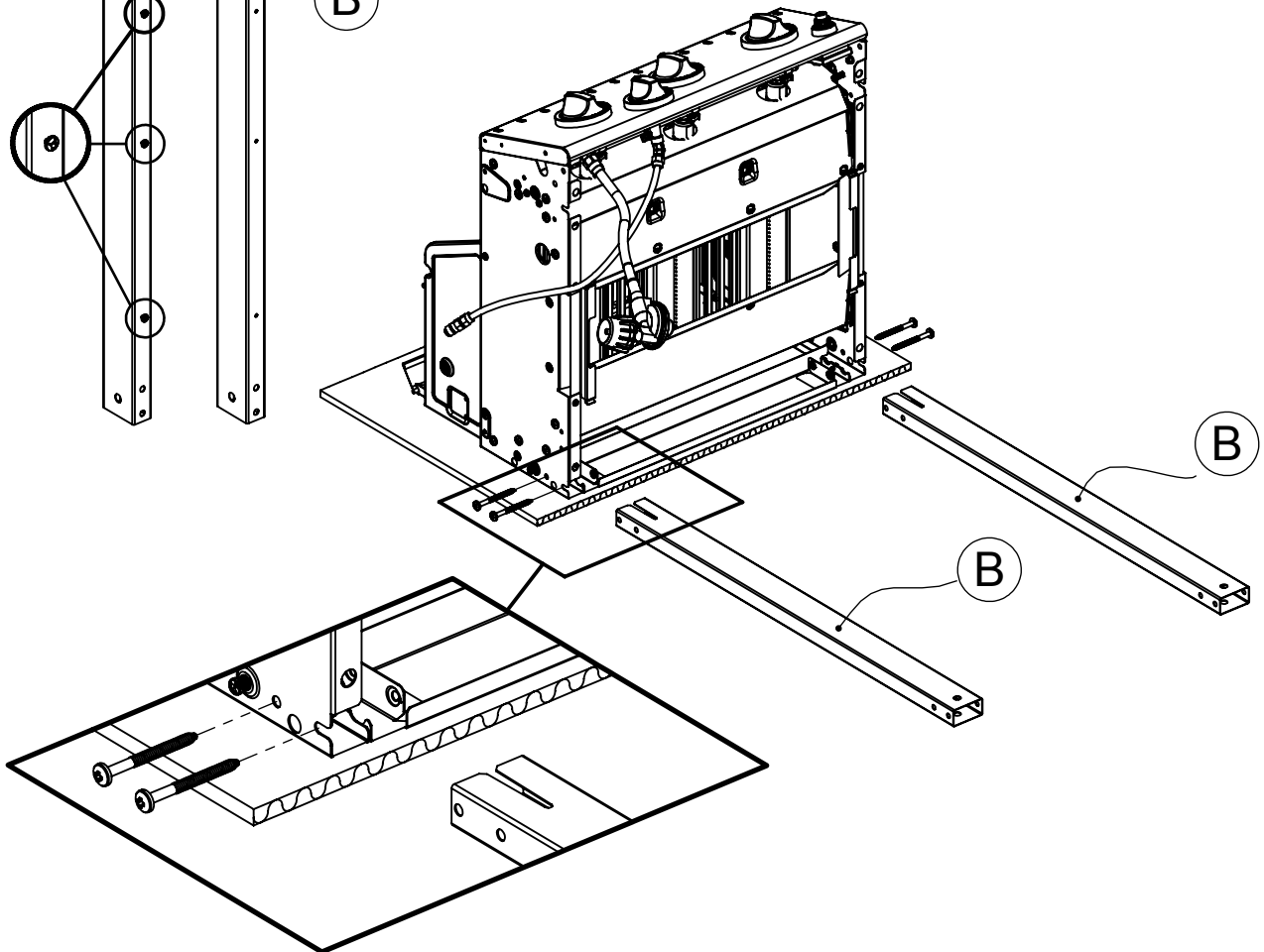
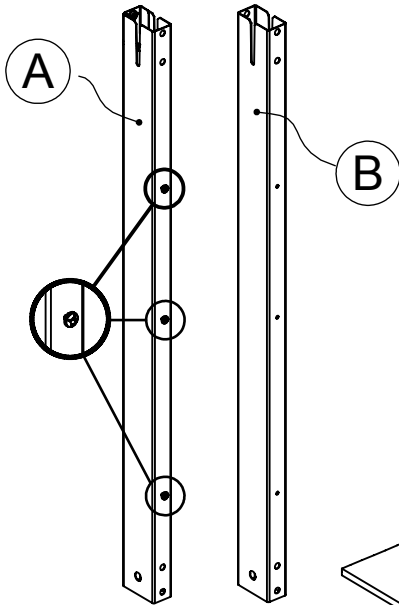
info@omcbbq.com

Onward
SINCE 1906
MANUFACTURING COMPANY
1000 EAST MARKET STREET
HUNTINGTON, INDIANA, 46750, USA

50084-C34 Rev B 10/15

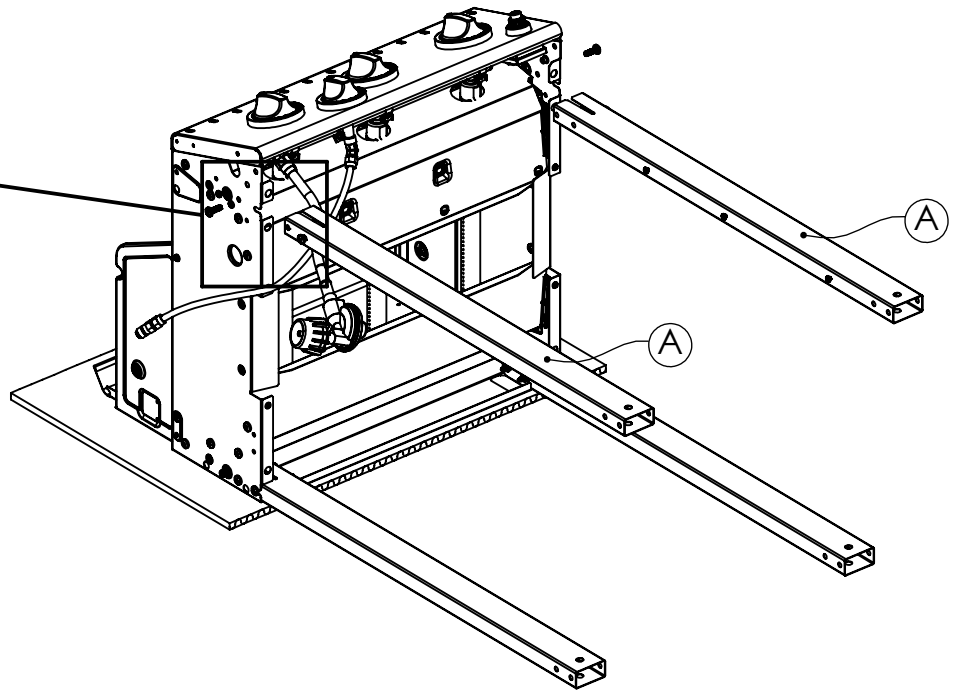
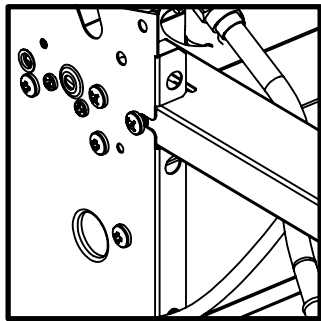
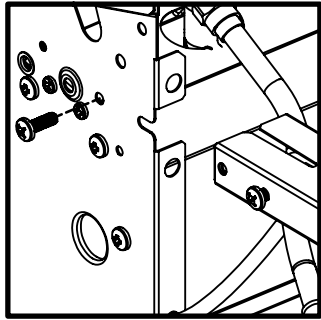
1

(4)




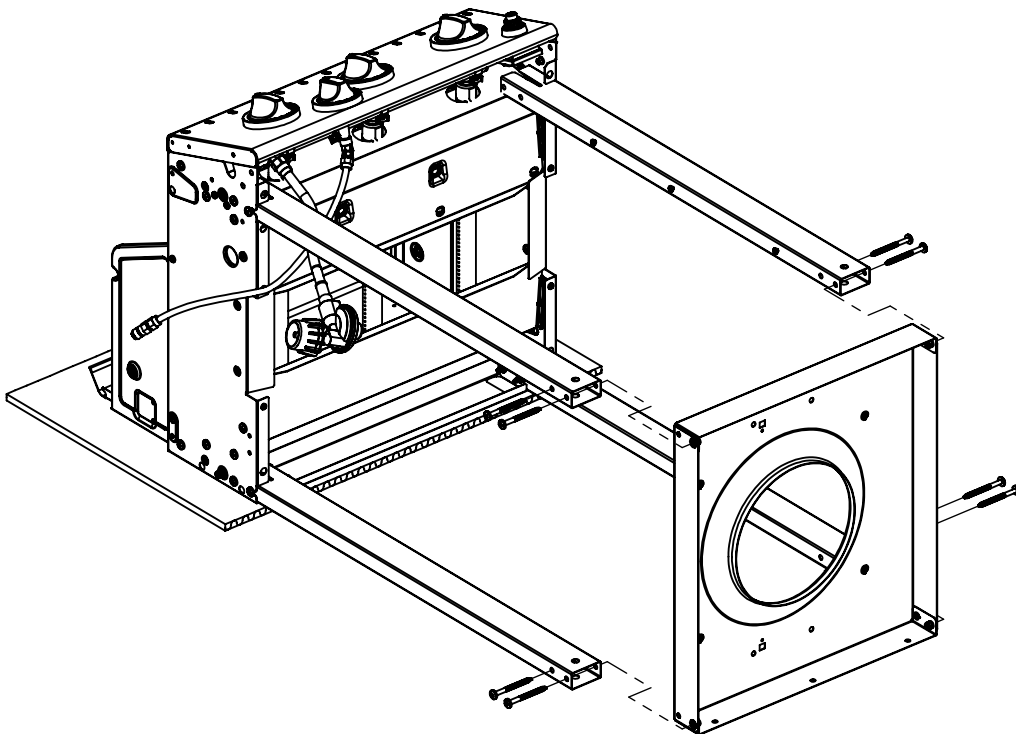
2

(2) 



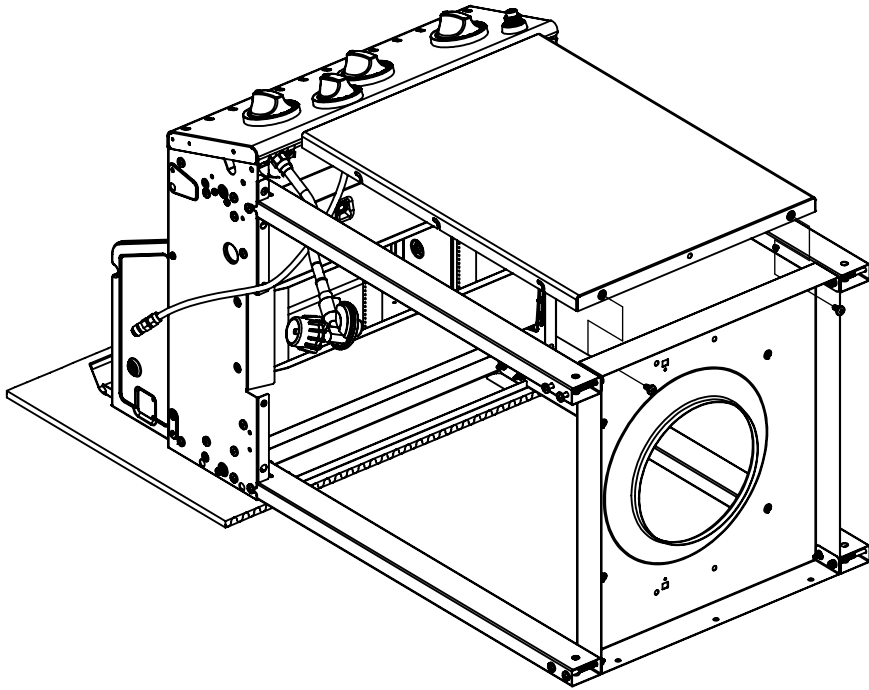
3

(8) 

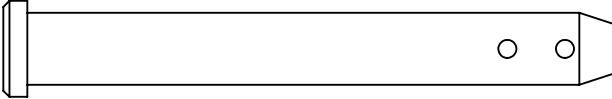


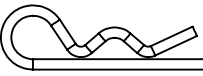
4

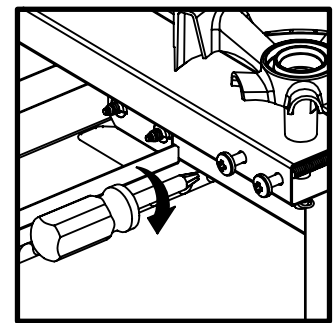
(2) 



5

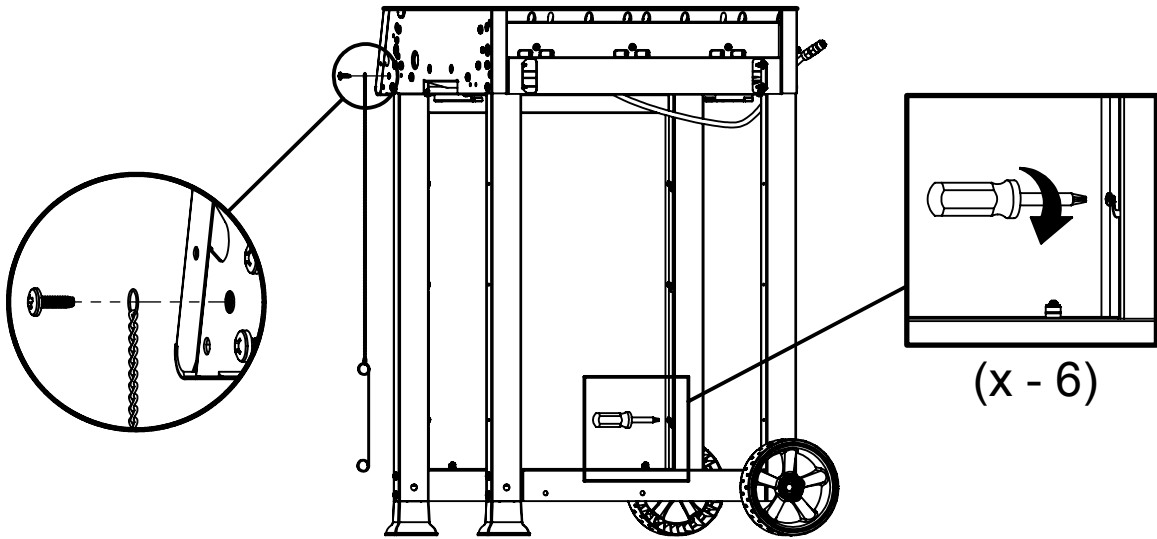
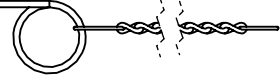
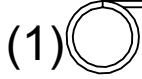
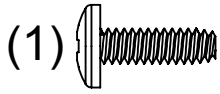
(2) 

(2) 

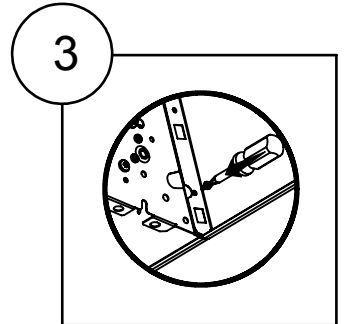
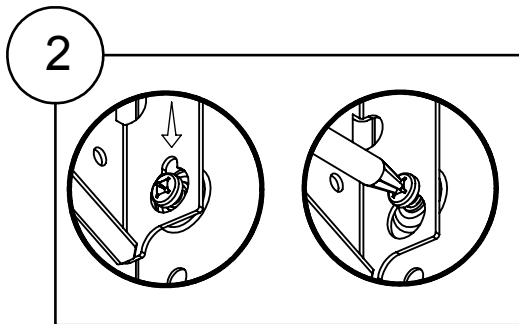
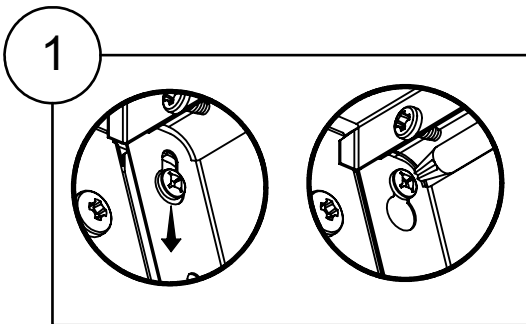
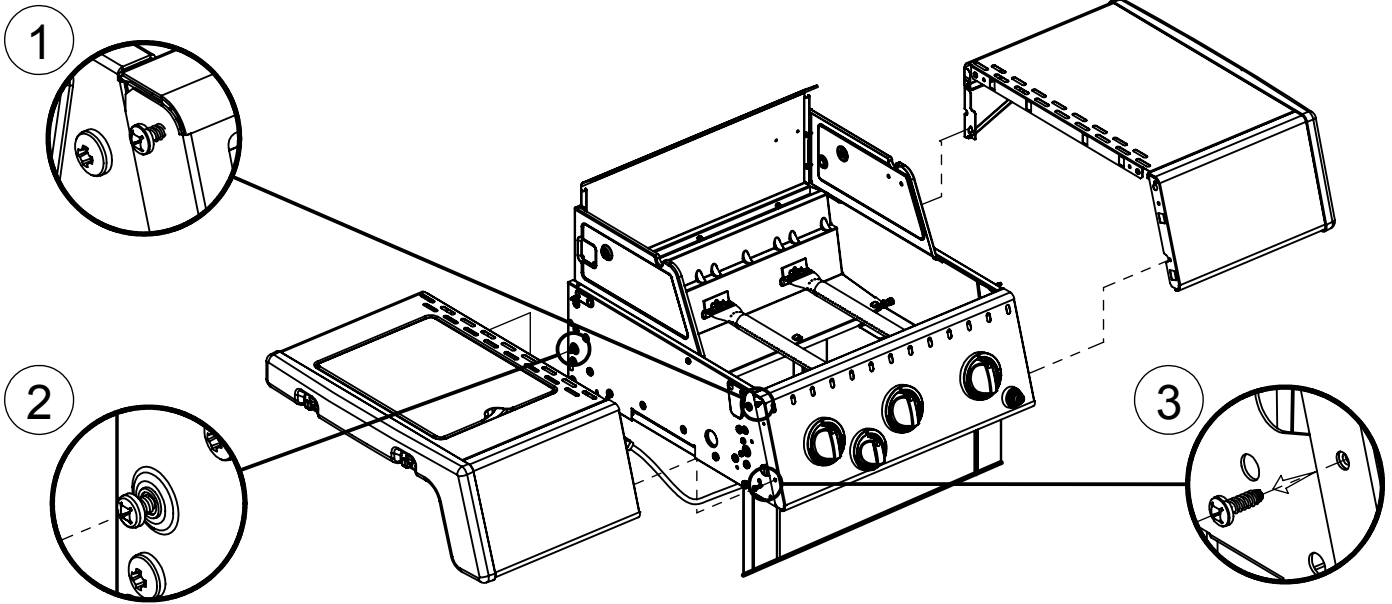


(x-8)

6

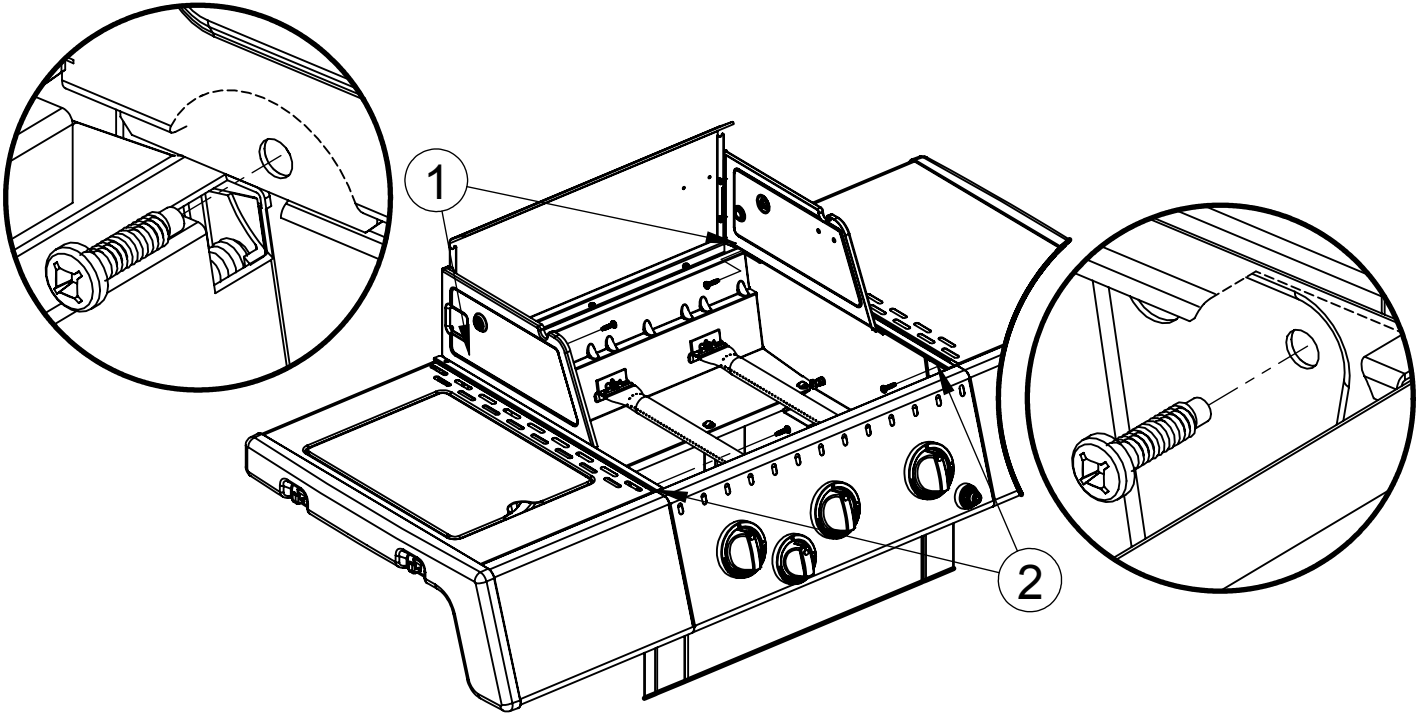
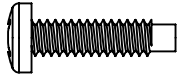


7



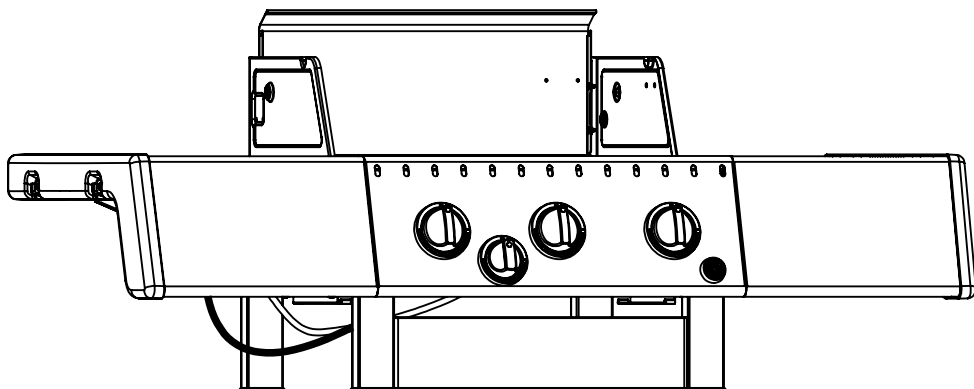
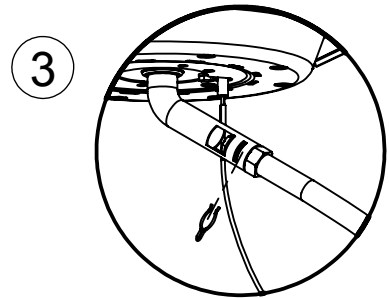
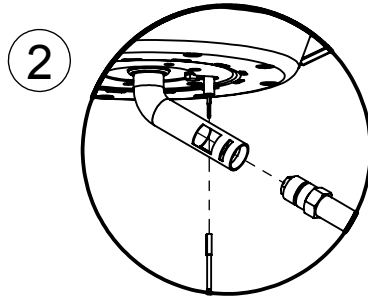
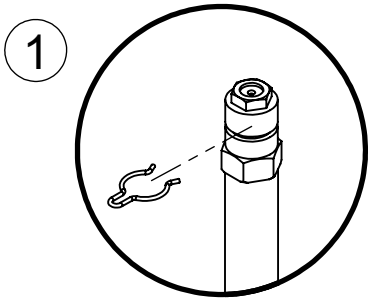
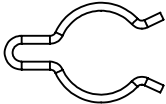
8

(4)



9

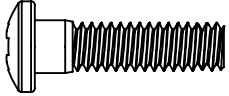
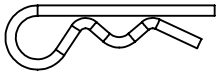
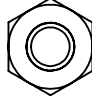
(1)

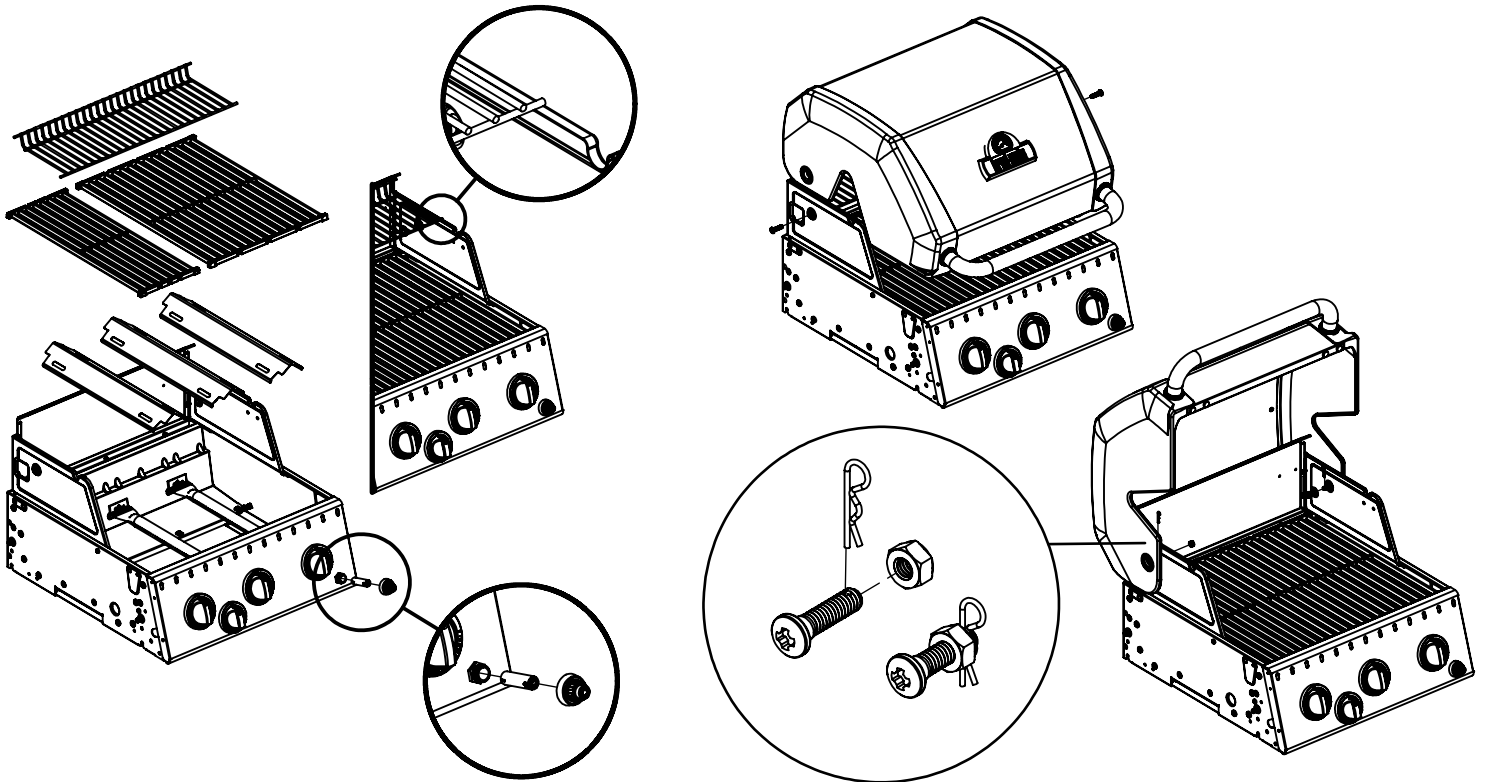


10

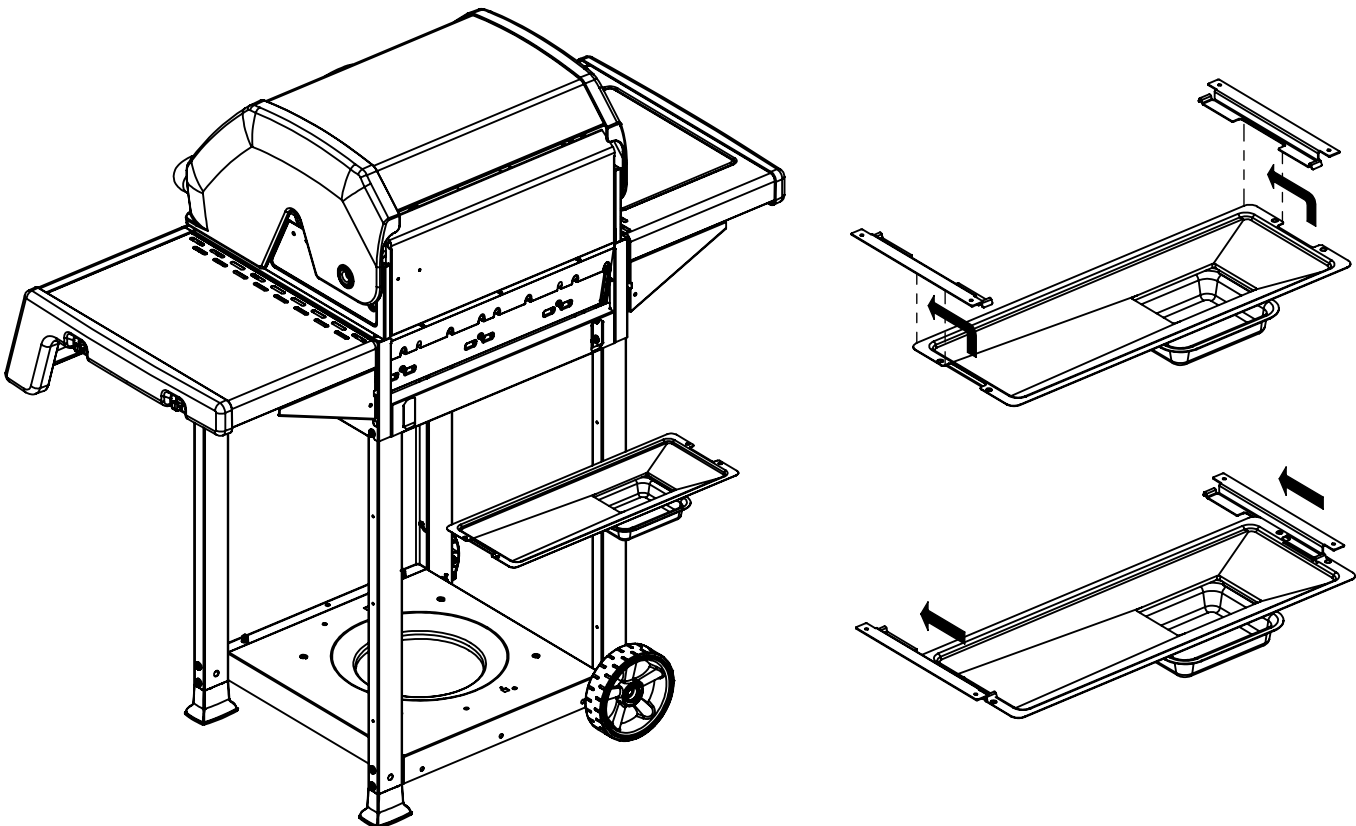


11


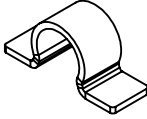
(2)  (2)  (2) 

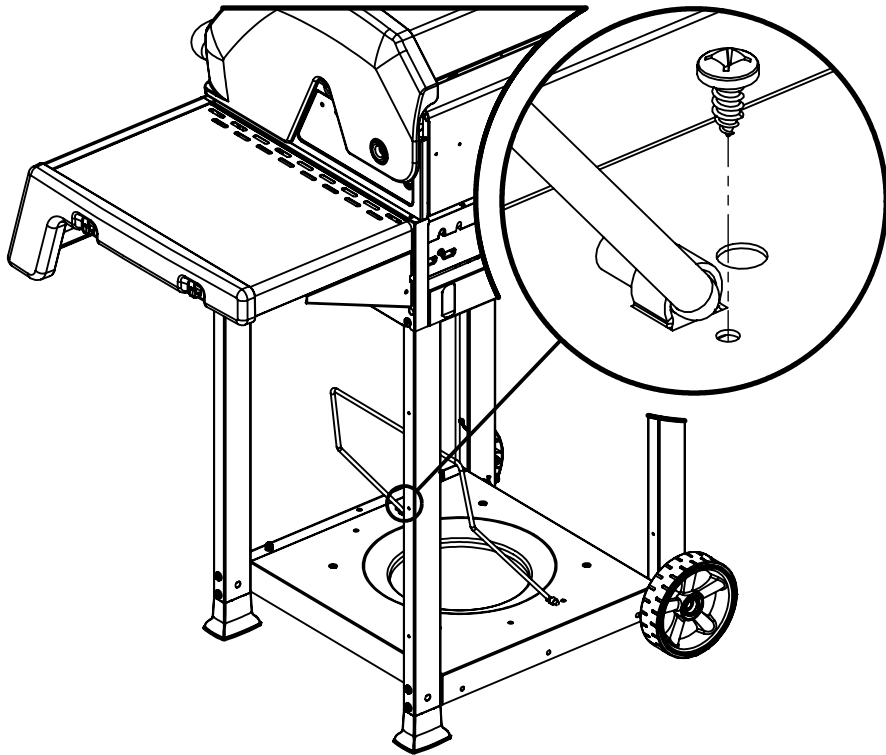


12



12

(2)  (2) 



13

