

This Owner's Manual is provided and hosted by [Appliance Factory Parts](#).



Broil-Mate 7032-67 Owner's Manual

[Shop genuine replacement parts for Broil-Mate 7032-67](#)



[Find Your Broil-Mate Grill Parts - Select From 682 Models](#)

----- Manual continues below part list -----

Available Replacement Parts for Broil-Mate 7032-67

| | |
|---------------------------|-----------------------------------|
| 18013 | LID HEAT INDICATOR - LARGE - SS |
| S21233 | HITCH PIN CLIP + |
| Y-12860 | SCREW-THCP 1/4-20 X 1-TY-C A04 |
| Y-11793 | NUT HEX 1/4 20 JS500 + |
| Y-12835 | SCREW-PHCP 6-32X1/4 TY-F JS500 |
| Y-29307 | NUT HEX #10-24 JS500 |
| 10240-13 | WHEEL PIN |
| Y-11230 | HAIRPIN COTTER SIDE BURNER + |
| Y-11546 | SCREW PHCP 1/4-20X5/8 INCH A04#A |
| S21124 | SCREW PHCP #8 X 12 + |
| 10390-E10 | BURNER SIDE 10BTU W/ELEC #8 + |
| Y-29304 | SCREW PHCP #10 24x3/8 |
| S21125 | SCREW 8 X 3/8 PAN HEAD |
| S35094 | SCREW #10-24 X 5/8 |
| 10342-246 | IGNITOR ELECTRONIC TRIPLE + |
| Y-11231 | LID BUMPER ROUND BLK |
| 10342-E13 | ELECTRODE W/WIRE |
| 10342-T18 | WIRE ELECTRODE S/B 600 + |
| 24006-12A | HANDLE LID ASSY 625 |
| 52007-181 | COOKING GRID 550 PORC BLK + |
| 10240-23 | LID PIN 1/4-20 |
| Y-29310 | SCREW #10-24 3/4 TRUSS QU |
| 52316-151 | FIREBOX 550 HOOD PANEL PORC |
| 59006-034 | CONTROL ASSY 5V S/B LP |
| 59006-037 | CONTROL ASSY 5V S/B NG |
| 52006-991 | WARMING RACK 550 PORC + |
| 20005-000 | HARDWARE BAG STICK & CHAIN SS |
| 44089-60 | NAMEPLATE PATRIOT |
| 52016-903 | COLLECTOR BOX ASSEMBLY 625 |
| 80012 | regulator and hose READ ADD. INFO |

| | |
|-----------------------------|--|
| 10892-608 | WHEEL 6 INCH |
| 22049-102 | GREASE TRAY BRACKET GAL 330/440/550 |
| 51429-158 | RESIN FOOT 330/440 |
| 53184-118 | SHELF END CAP RHS 330/440 |
| 53184-138 | SHELF END CAP LHS 330/440 |
| 53404-114 | SHELF FRONT FACIA RHS 330/440 |
| 53009-951 | SIDE BURNER TRIVET BLK |
| Y-11235 | LID BUMPER HEX-BLK AB |
| Y-12865 | SCREW 1/4 X 20X1/2 TYPE-C PHCP |
| 52249-404 | HEAT TENT SS |
| 53104-111 | SHELF RHS BLK 330/440 |
| 59006-014 | CONTROL ASSY 550 5V LP |
| 59006-017 | VALVE ASSY 550 5V MAIN NG |
| S21242 | CLIP BURNER TUBE MOUNT SS |
| 52924-144R | BURNER - MAIN |
| 57056-901 | GREASE TRAY BLK |
| Y-11544S | SCREW - BURNER #10-24 X 3/8 |
| 10111-K45 | HOSE 3/8 INCH ASSEMBLY NG 10 FOOT + |
| 10081-69BM | NAMEPLATE BROILMATE |
| 24009-936 | HANDLE RING |
| 10342-247 | IGNITOR ELECTRONIC + |
| 10472-K431 | CONTRL KNOB RESIN LRG BLCK W/SS BA STRIP |
| 22001-168 | CONTROL KNOB BEZEL SML |
| 22002-268 | CONTROL KNOB BEZEL LARGE |
| 52009-901 | GREASE PAN - BLACK HIGH HEAT PAINT |
| 52904-144NG | BURNER ASSY MAIN SINGLE TUBE + NG |
| 27249-904 | GREASE SHIELD MODULAR, 6.5 x 6 |

OMC

ASSEMBLY MANUAL & PARTS LIST • MANUEL DE MONTAGE & LISTE DE PIÈCES • MANUAL DE ARMADO Y LISTA DE PARTES



STERLING 5032-64/67

HUNTINGTON 6032-64/67

broil-mate 7032-64/67



STERLING 5132-64/67

HUNTINGTON 6132-64/67

broil-mate 7132-64/67



STERLING 5032-54/57

HUNTINGTON 6032-54/57

broil-mate 7032-54/57



STERLING 5132-54/57

HUNTINGTON 6132-54/57

broil-mate 7132-54/57

RETAIN FOR FUTURE REFERENCE • VEUILLEZ CONSERVER POUR REFERENCE ULTERIEURE • CONSERVAR PARA FUTURAS CONSULTAS

1-800-265-2150

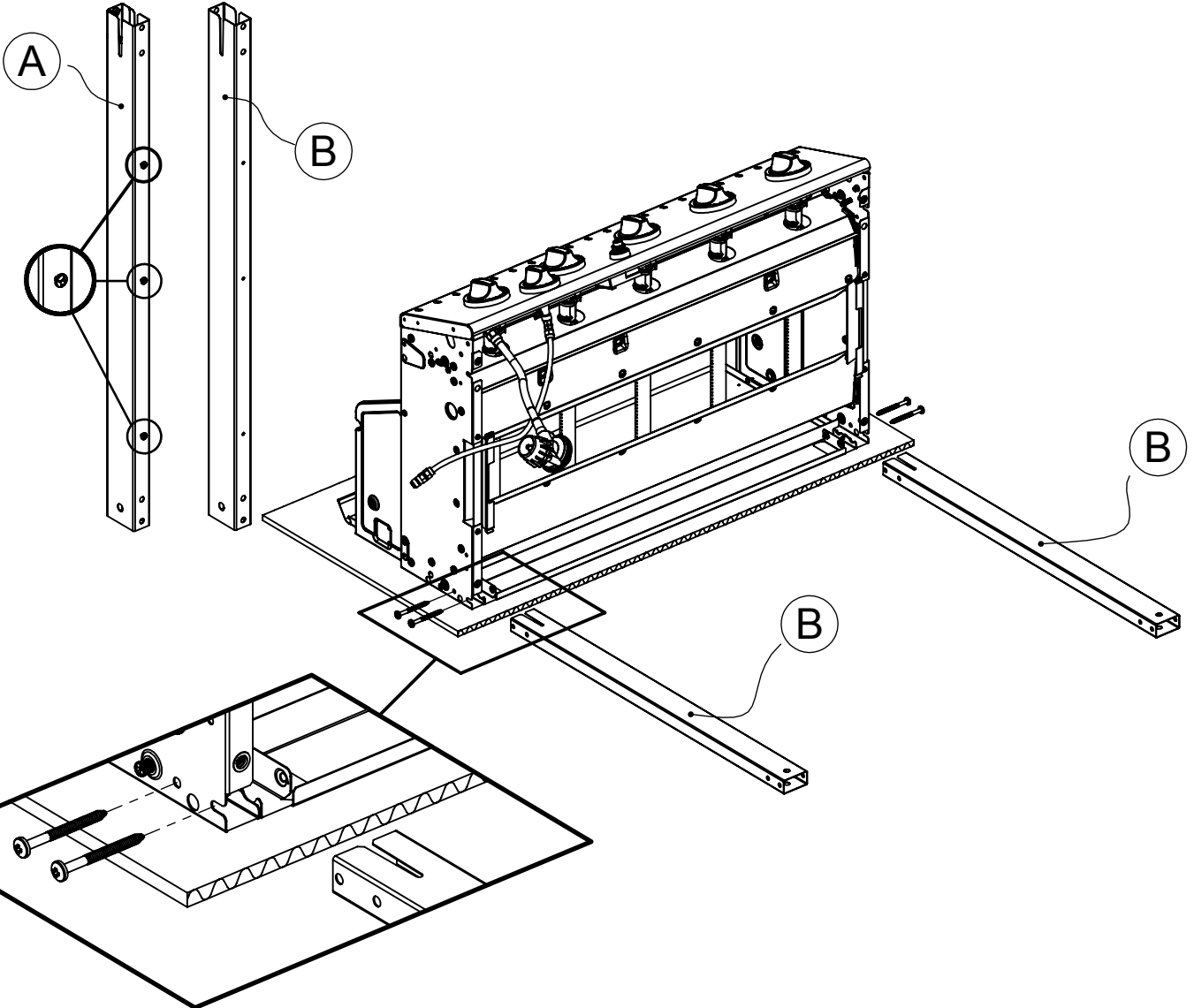
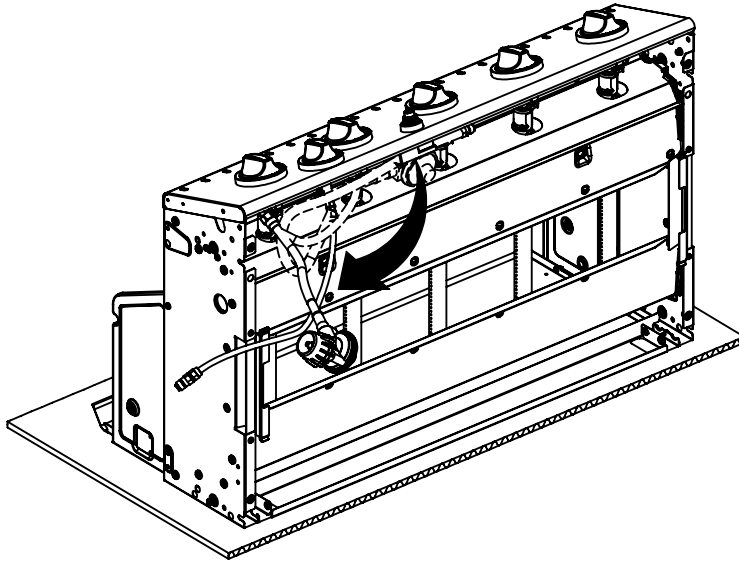
info@omcbbq.com

Onward
MANUFACTURING COMPANY
SINCE 1906
1000 EAST MARKET STREET
HUNTINGTON, INDIANA, 46750, USA

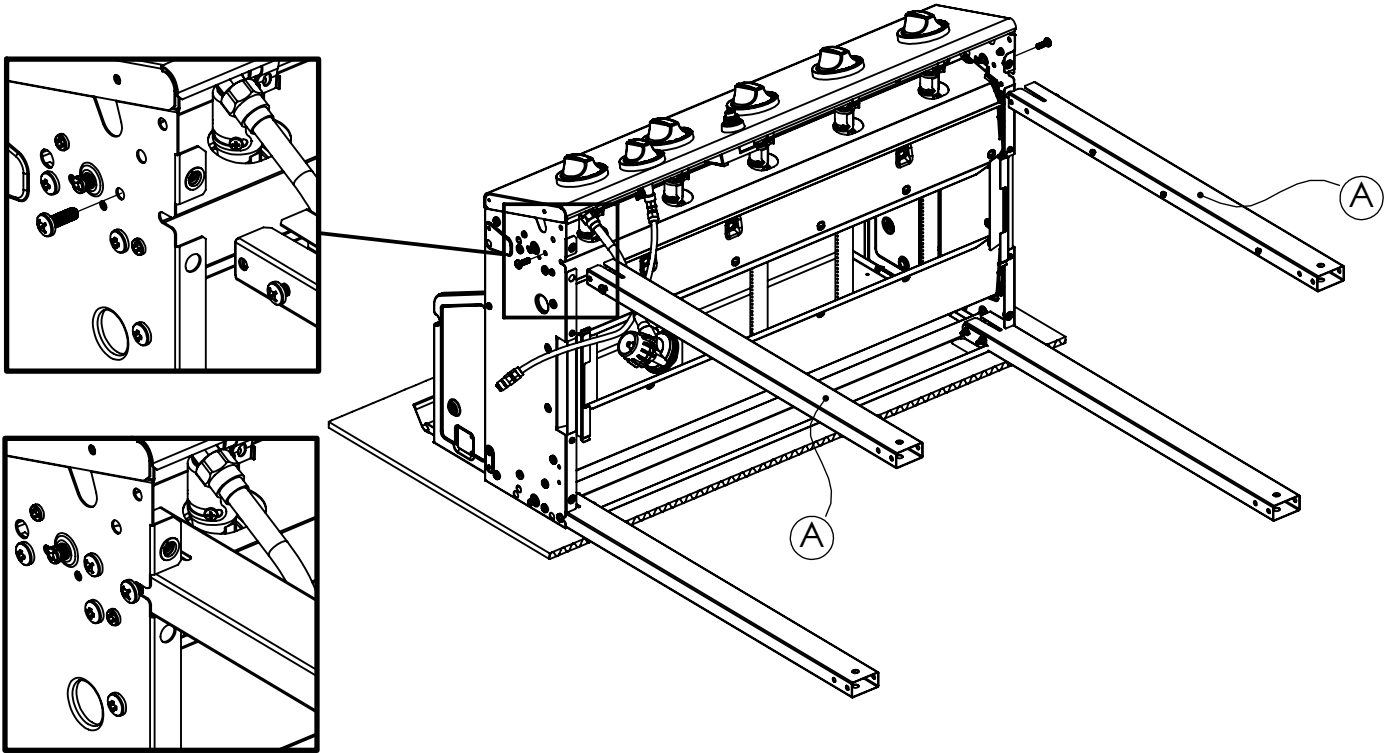
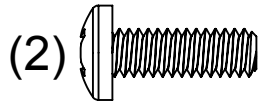
50084-C90 Rev D 11/15

1

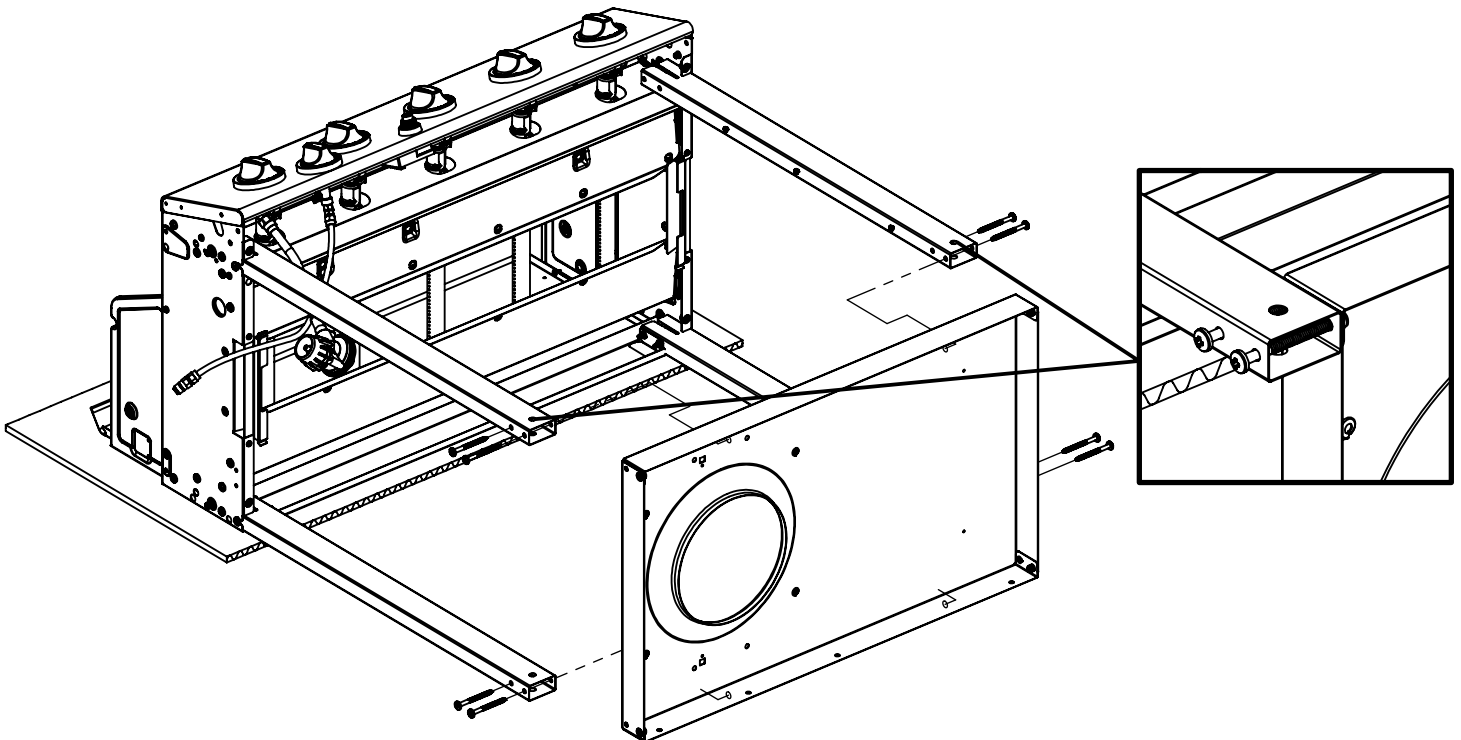
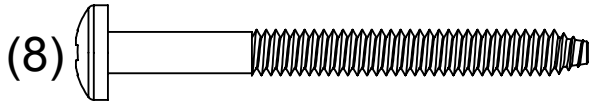
(4)



2

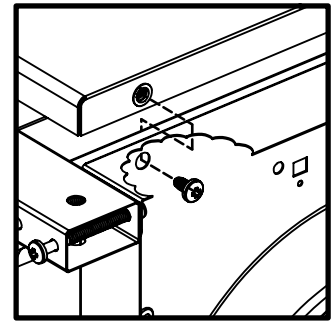
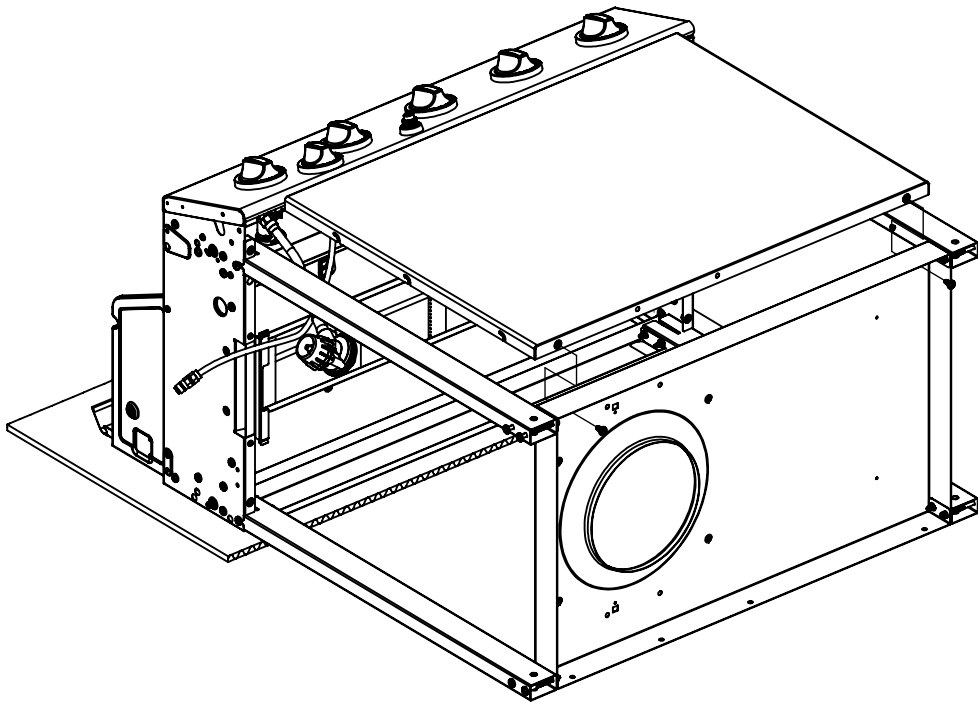


3

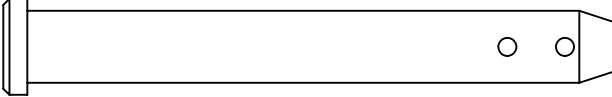


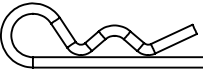
4

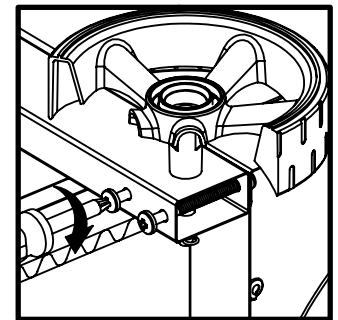
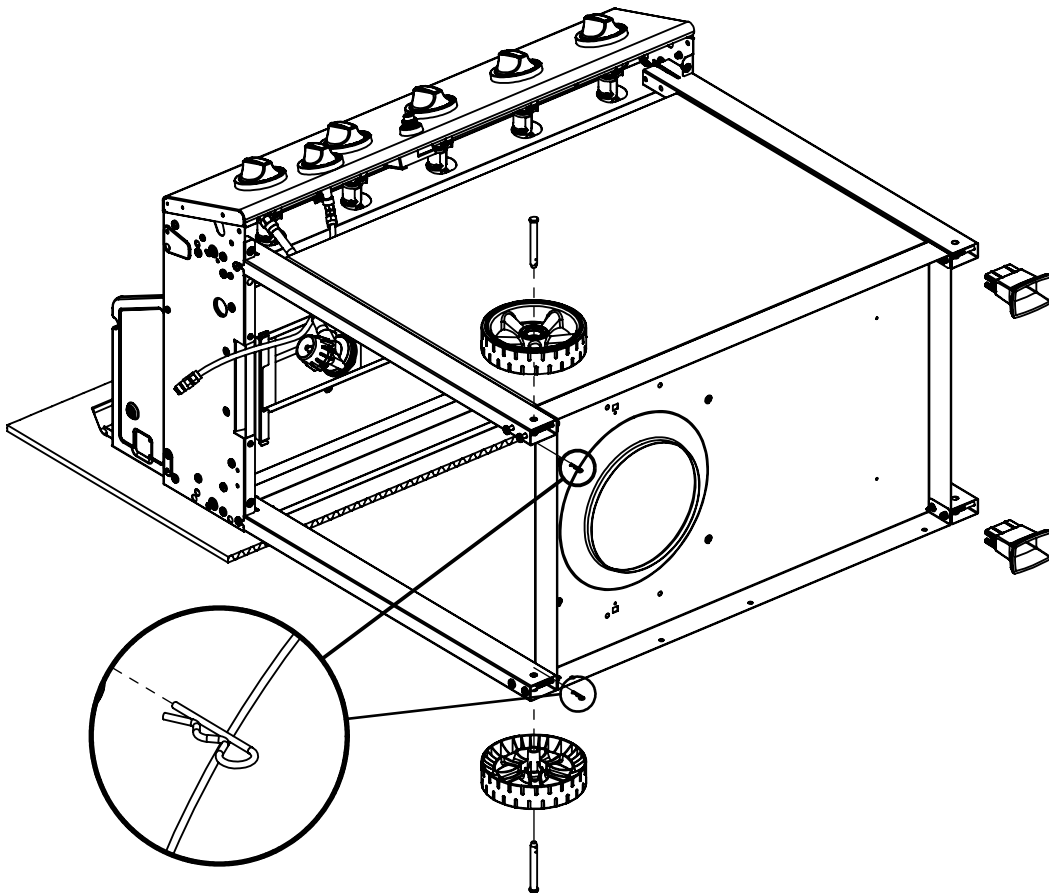
(2) 



5

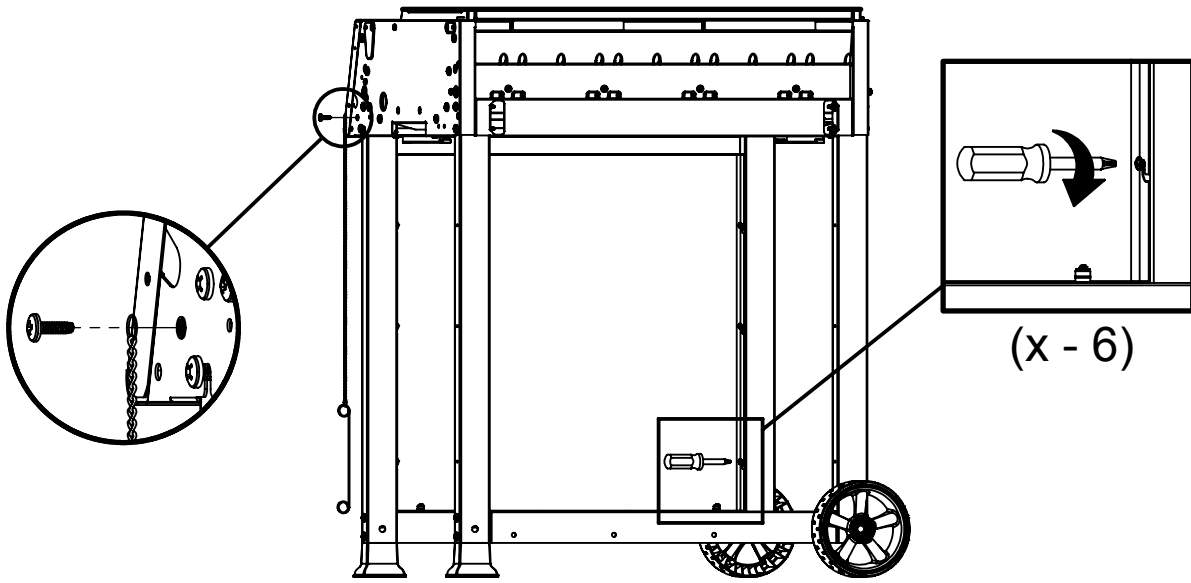
(2) 

(2) 

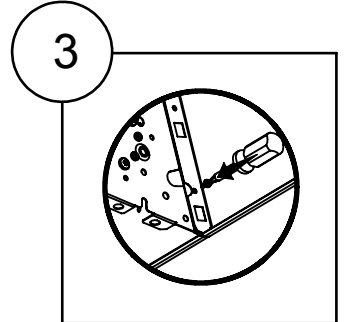
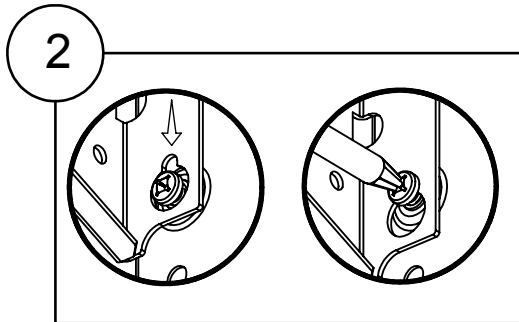
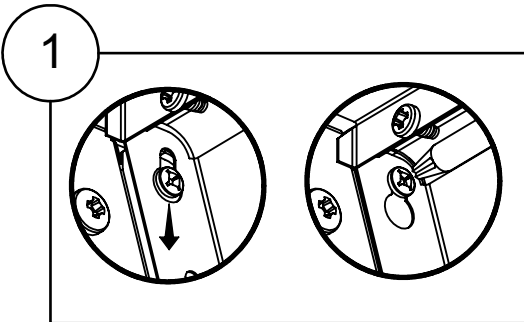
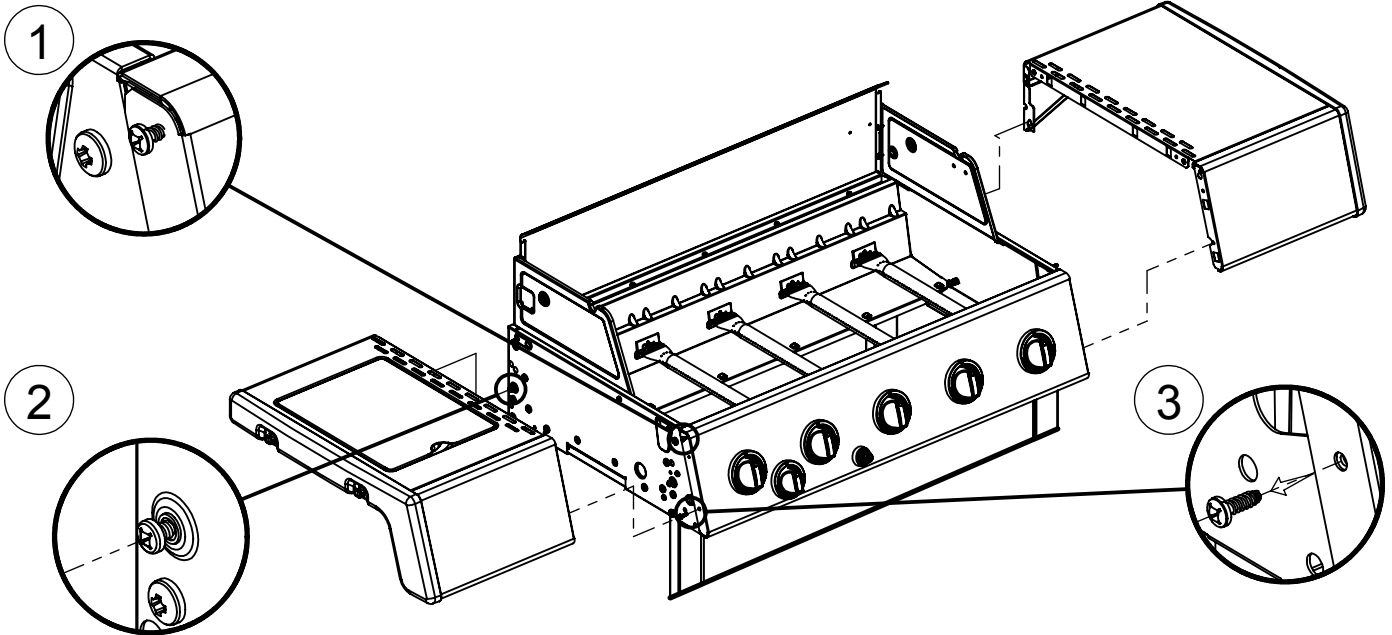


(x-8)

6

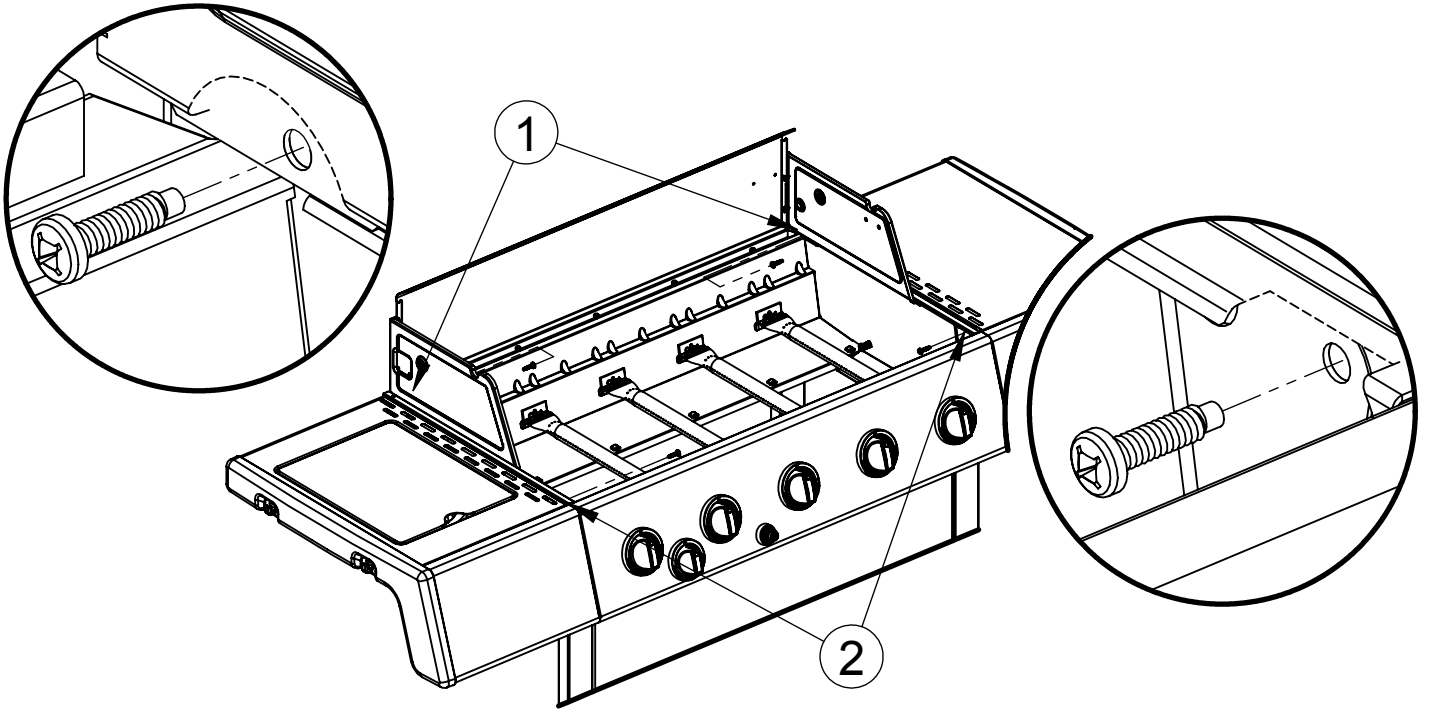


7



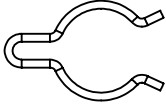
8

(4)

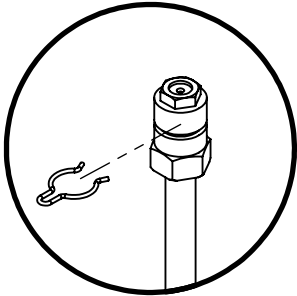


9

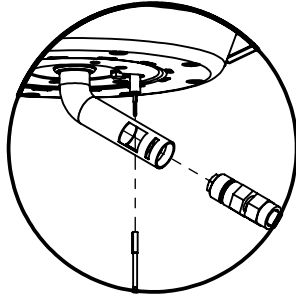
(1)



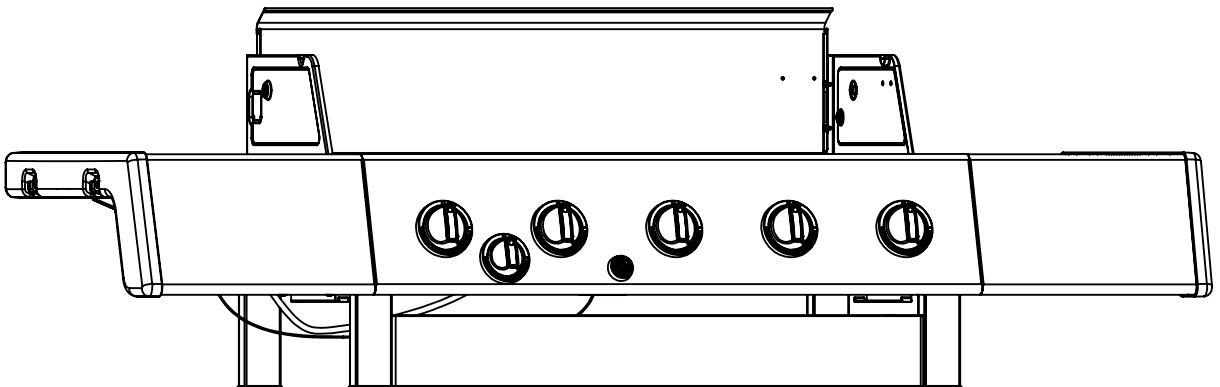
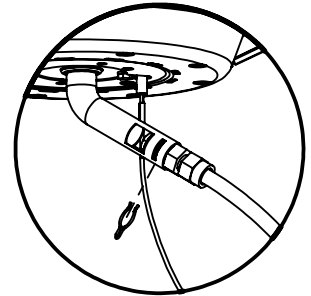
1

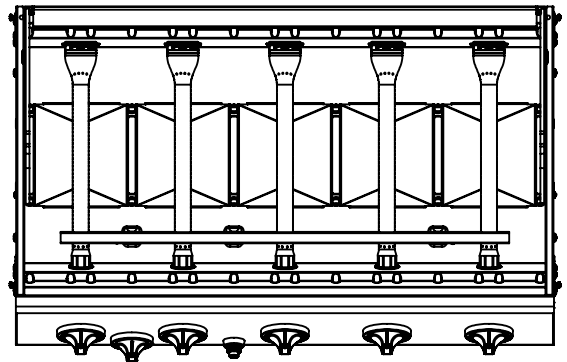
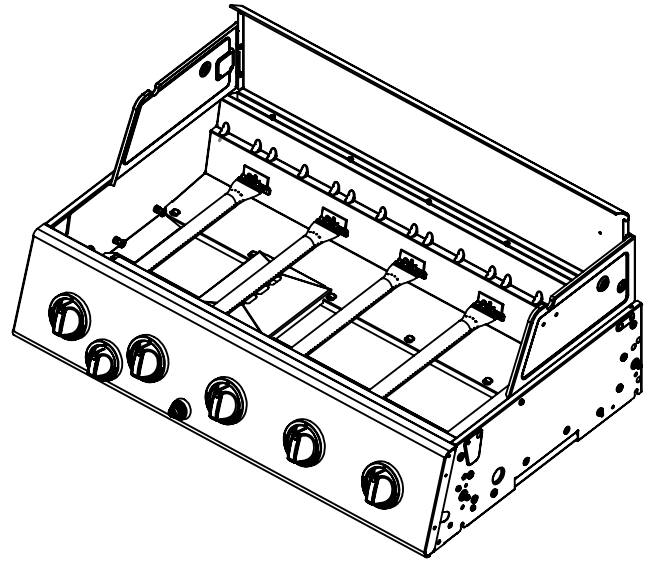
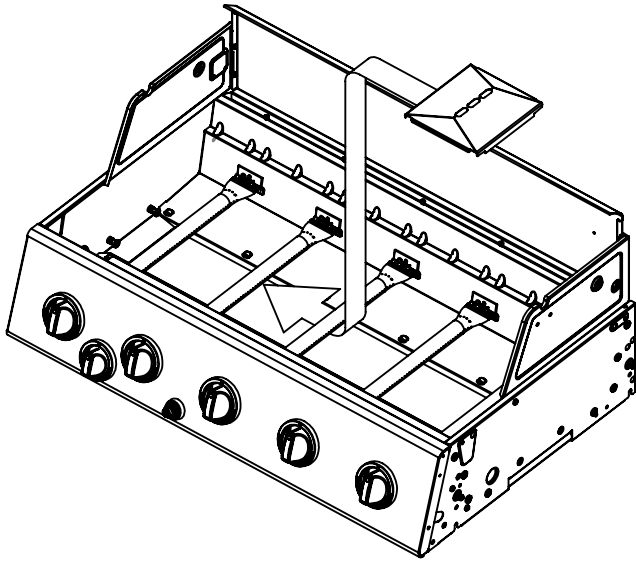
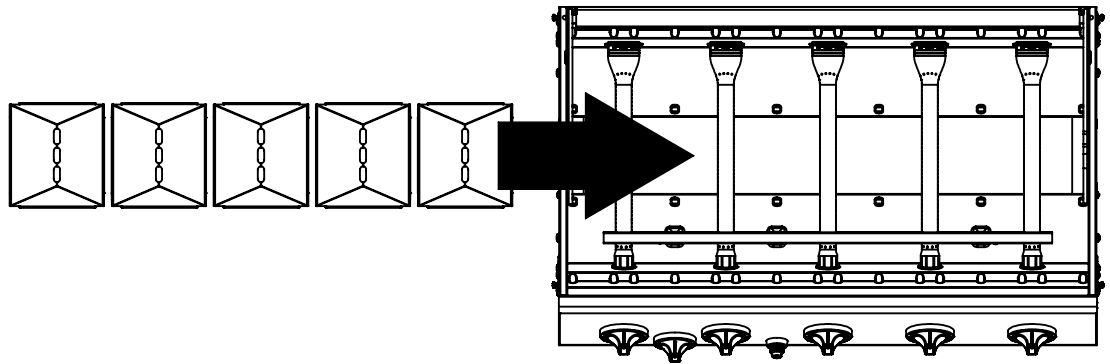


2

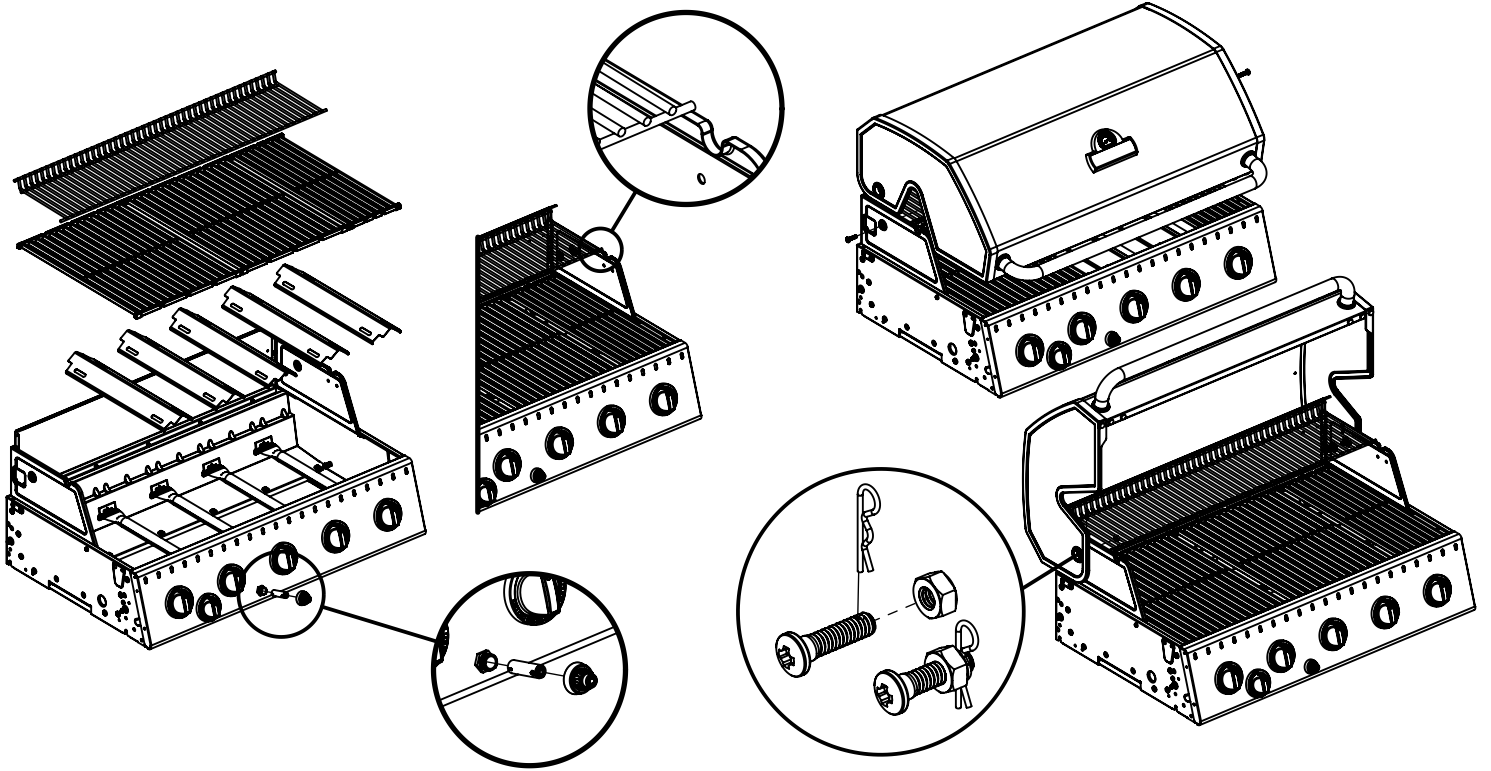
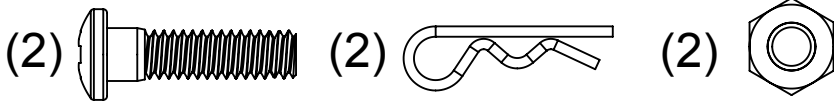


3

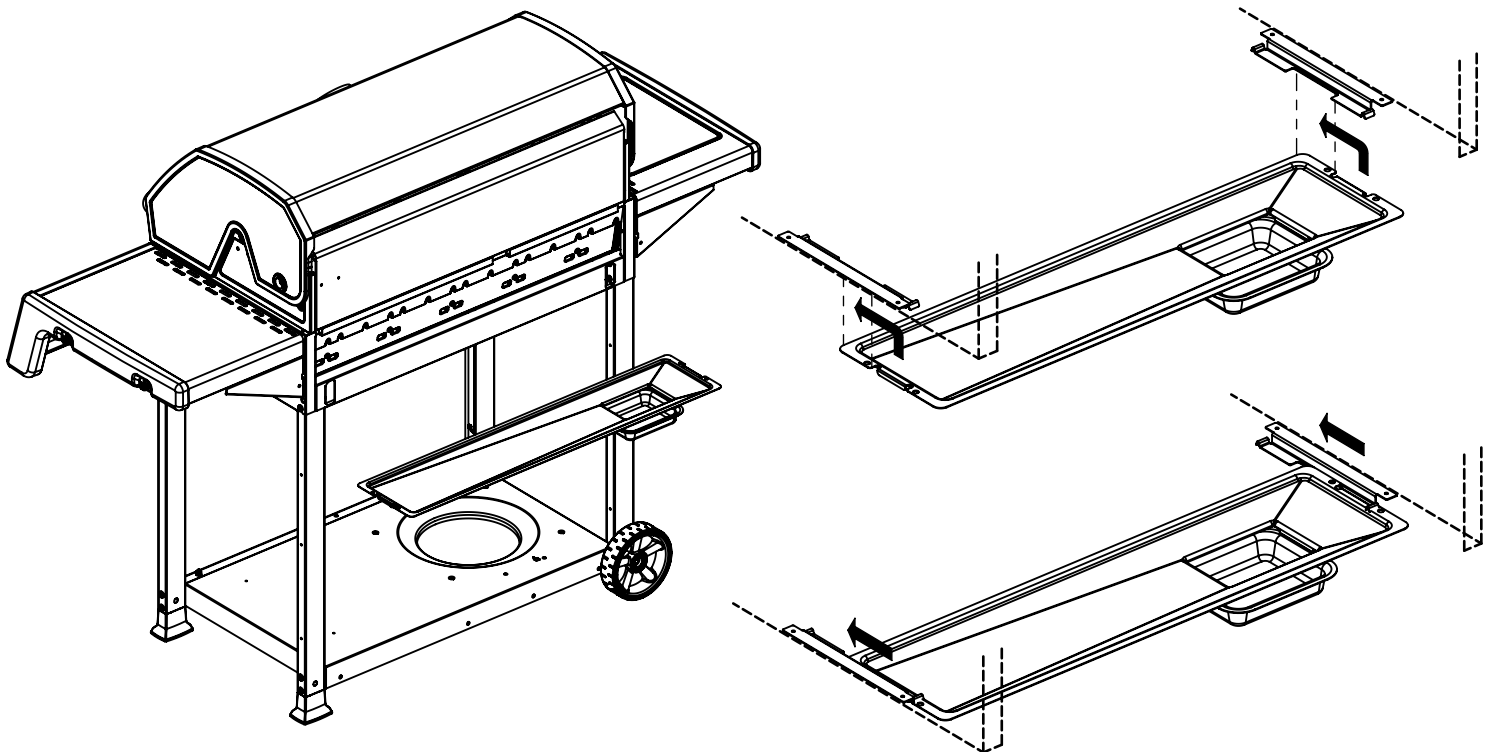





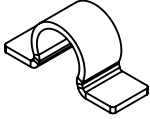
11

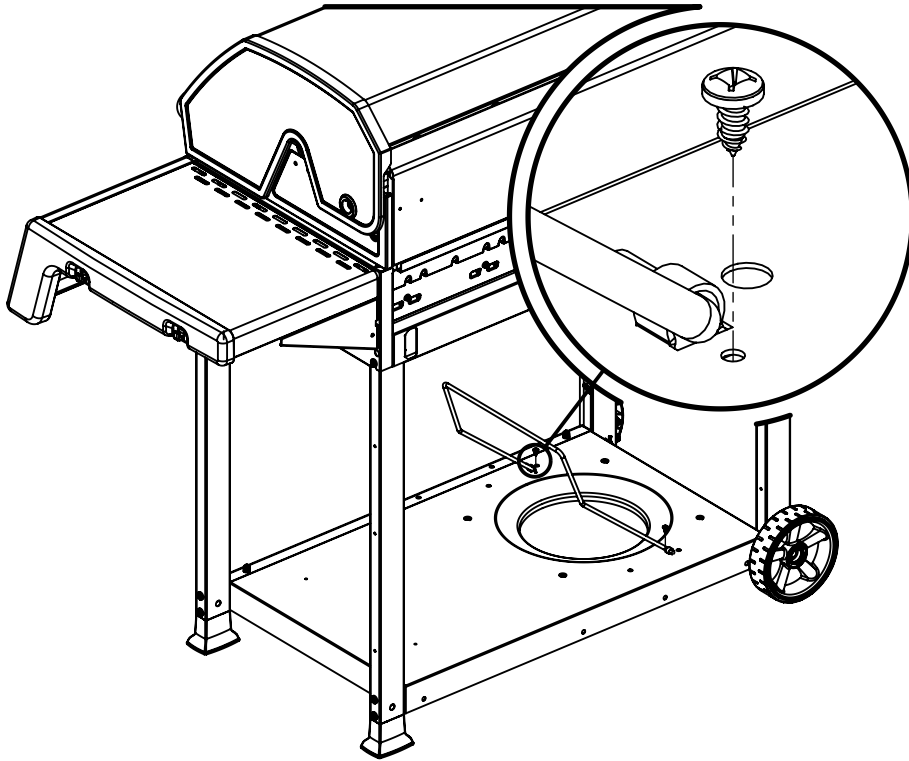


12

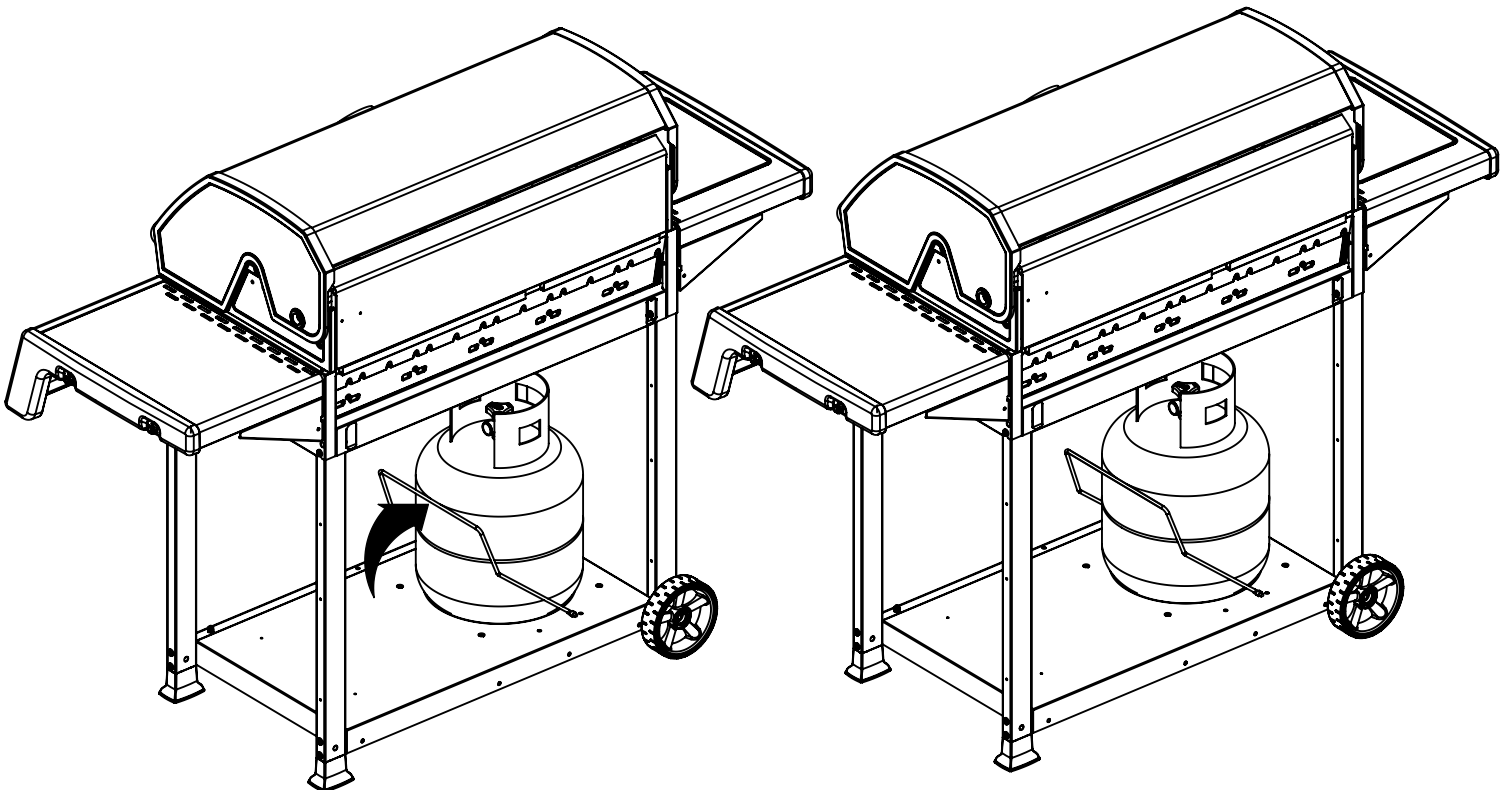


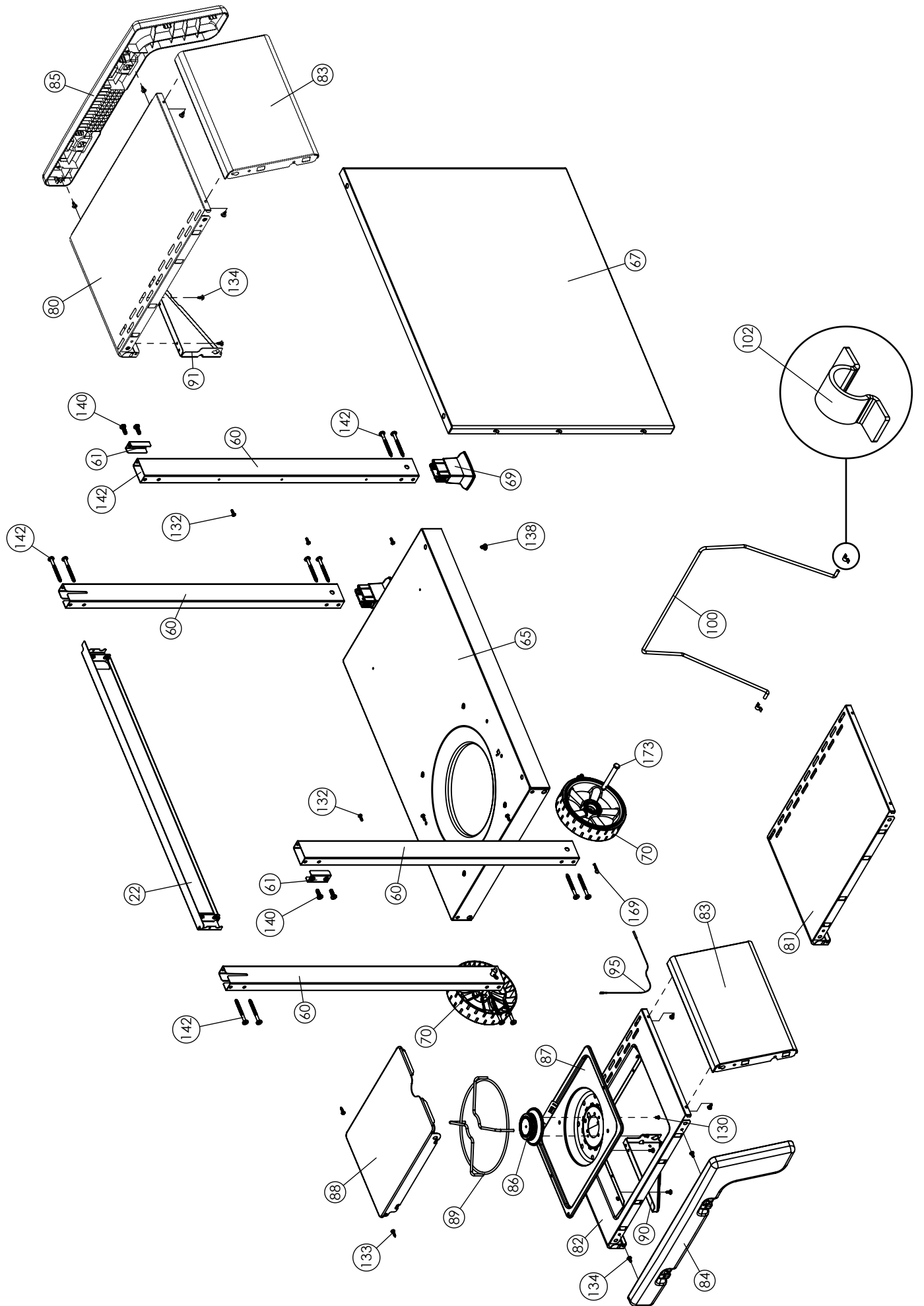
12

(2)  (2) 



13





| KEY # | ITEM # | DESCRIPTION | DESCRIPTION | 5032-54 5032-57 | 5132-54 5132-57 | 5032-64 5032-67 | 5132-64 5132-67 | 6032-54 6032-57 | 6132-54 6132-57 | 6032-64 6032-67 | 6132-64 6132-67 | 7032-54 7132-57 | 7032-64 7032-67 | 7132-64 7132-67 |
|-------|-------------|-------------------------------|--|--------------------|--------------------|--------------------|--------------------|--------------------|--------------------|--------------------|--------------------|--------------------|--------------------|--------------------|
| 1 | 56104-331 | LID - SIDE PANEL - LEFT | COUVERCLE - PANNEAU LATÉRAL - GAUCHE | 1 | 1 | 1 | 1 | 1 | 1 | 1 | 1 | 1 | 1 | 1 |
| 2 | 56104-331 | LID - SIDE PANEL - RIGHT | COUVERCLE - PANNEAU LATÉRAL - DROITE | 1 | 1 | 1 | 1 | 1 | 1 | 1 | 1 | 1 | 1 | 1 |
| 3 | 56316-301 | LID - OUTER PANEL | COUVERCLE - PANNEAU EXTÉRIEUR | 1 | 1 | 1 | 1 | 1 | 1 | 1 | 1 | 1 | 1 | 1 |
| 4 | 56316-304 | | | 1 | 1 | 1 | 1 | 1 | 1 | 1 | 1 | 1 | 1 | 1 |
| 5 | 56206-30 | HANDLE | POIGNÉE | 1 | 1 | 1 | 1 | 1 | 1 | 1 | 1 | 1 | 1 | 1 |
| 6 | 24006-12A | HANDLE BEZEL | MONTURE DE POIGNEE | 1 | 1 | 1 | 1 | 1 | 1 | 1 | 1 | 1 | 1 | 1 |
| 7 | 24009-936 | NAMEPLATE | PLAQUE D'IDENTIFICATION | 1 | 1 | 1 | 1 | 1 | 1 | 1 | 1 | 1 | 1 | 1 |
| 8 | 10081-560 | | | 1 | 1 | 1 | 1 | 1 | 1 | 1 | 1 | 1 | 1 | 1 |
| 9 | 44089-60 | | | 1 | 1 | 1 | 1 | 1 | 1 | 1 | 1 | 1 | 1 | 1 |
| 10 | 10081-BM60 | | | 1 | 1 | 1 | 1 | 1 | 1 | 1 | 1 | 1 | 1 | 1 |
| 11 | 10571-6 | HEAT INDICATOR | INDICATEUR DE CHALEUR | 1 | 1 | 1 | 1 | 1 | 1 | 1 | 1 | 1 | 1 | 1 |
| 12 | 52114-131R | PANEL - SIDE UPPER - LEFT | PANNEAU - LATÉRAL SUPÉRIEUR - GAUCHE | 1 | 1 | 1 | 1 | 1 | 1 | 1 | 1 | 1 | 1 | 1 |
| 13 | 52114-111R | PANEL - SIDE UPPER - RIGHT | PANNEAU - LATÉRAL SUPÉRIEUR - DROITE | 1 | 1 | 1 | 1 | 1 | 1 | 1 | 1 | 1 | 1 | 1 |
| 14 | 56006-001P | COOKBOX ASSEMBLY | COOKBOX ASSEMBLY | 1 | 1 | 1 | 1 | 1 | 1 | 1 | 1 | 1 | 1 | 1 |
| 15 | 27249-90 | GREASE SHIELD | PROTECTION CONTRE LA GRAISSE | 5 | 5 | 5 | 5 | 5 | 5 | 5 | 5 | 5 | 5 | 5 |
| 16 | 52446-92 | HEAT SHIELD - FRONT | PROTECTION CONTRE LA CHALEUR - FRONTAL | 1 | 1 | 1 | 1 | 1 | 1 | 1 | 1 | 1 | 1 | 1 |
| 17 | 52349-921 | HARDWARE COVER 440 | COUVERCLE DE MATERIEL 440 | 1 | 1 | 1 | 1 | 1 | 1 | 1 | 1 | 1 | 1 | 1 |
| 18 | 52344-921 | HARDWARE COVER 330 | COUVERCLE DE MATERIEL 330 | 1 | 1 | 1 | 1 | 1 | 1 | 1 | 1 | 1 | 1 | 1 |
| 19 | 52336-121 | REAR - BRACE | ETRESILLON - ARRIERE | 1 | 1 | 1 | 1 | 1 | 1 | 1 | 1 | 1 | 1 | 1 |
| 20 | 52316-151 | PANEL - HOOD | PANNEAU DE LA COUVE | 1 | 1 | 1 | 1 | 1 | 1 | 1 | 1 | 1 | 1 | 1 |
| 21 | 52304-144HG | BURNER - MAIN | BRÛLEUR - PRINCIPAL | 1 | 1 | 1 | 1 | 1 | 1 | 1 | 1 | 1 | 1 | 1 |
| 22 | 52304-144HG | | | 1 | 1 | 1 | 1 | 1 | 1 | 1 | 1 | 1 | 1 | 1 |
| 23 | 52304-144HG | | | 1 | 1 | 1 | 1 | 1 | 1 | 1 | 1 | 1 | 1 | 1 |
| 24 | 52304-144HG | | | 1 | 1 | 1 | 1 | 1 | 1 | 1 | 1 | 1 | 1 | 1 |
| 25 | 52304-144HG | | | 1 | 1 | 1 | 1 | 1 | 1 | 1 | 1 | 1 | 1 | 1 |
| 26 | 52304-144HG | | | 1 | 1 | 1 | 1 | 1 | 1 | 1 | 1 | 1 | 1 | 1 |
| 27 | 52304-144HG | | | 1 | 1 | 1 | 1 | 1 | 1 | 1 | 1 | 1 | 1 | 1 |
| 28 | 52016-244 | CONTROL COVER | PANNEAU DE CONTROLE | 1 | 1 | 1 | 1 | 1 | 1 | 1 | 1 | 1 | 1 | 1 |
| 29 | 59006-034 | CONTROL ASSEMBLY | SOUPAPE | 1 | 1 | 1 | 1 | 1 | 1 | 1 | 1 | 1 | 1 | 1 |
| 30 | 59006-037 | | | 1 | 1 | 1 | 1 | 1 | 1 | 1 | 1 | 1 | 1 | 1 |
| 31 | 59006-017 | | | 1 | 1 | 1 | 1 | 1 | 1 | 1 | 1 | 1 | 1 | 1 |
| 32 | 513473-091 | HOSE - SIDE BURNER | TUYAU - BRÛLEUR DE CÔTÉ | 1 | 1 | 1 | 1 | 1 | 1 | 1 | 1 | 1 | 1 | 1 |
| 33 | 10114-20 | HOSE & REGULATOR | TUYAU ET REGULATEUR PL | 1 | 1 | 1 | 1 | 1 | 1 | 1 | 1 | 1 | 1 | 1 |
| 34 | 10111-445 | NATURAL GAS HOSE | TUYAU DE GAZ NATUREL | 1 | 1 | 1 | 1 | 1 | 1 | 1 | 1 | 1 | 1 | 1 |
| 35 | 22002-268 | CONTROL KNOB - BEZEL | BOUTON DE CONTROLE - MONTURE | 5 | 5 | 5 | 5 | 5 | 5 | 5 | 5 | 5 | 5 | 5 |
| 36 | 22001-168 | CONTROL KNOB - BEZEL | BOUTON DE CONTROLE - MONTURE | 5 | 5 | 5 | 5 | 5 | 5 | 5 | 5 | 5 | 5 | 5 |
| 37 | 10472-K431 | CONTROL KNOB | BOUTON DE CONTROLE | 1 | 1 | 1 | 1 | 1 | 1 | 1 | 1 | 1 | 1 | 1 |
| 38 | 10472-K431 | CONTROL KNOB | BOUTON DE CONTROLE | 1 | 1 | 1 | 1 | 1 | 1 | 1 | 1 | 1 | 1 | 1 |
| 39 | 10472-K231 | CONTROL KNOB | BOUTON DE CONTROLE | 1 | 1 | 1 | 1 | 1 | 1 | 1 | 1 | 1 | 1 | 1 |
| 40 | 10472-K231 | ELECTRONIC IGNITOR | ALLUMAGE ELECTRONIQUE | 1 | 1 | 1 | 1 | 1 | 1 | 1 | 1 | 1 | 1 | 1 |
| 41 | 10342-247 | | | 1 | 1 | 1 | 1 | 1 | 1 | 1 | 1 | 1 | 1 | 1 |
| 42 | 10342-246 | | | 1 | 1 | 1 | 1 | 1 | 1 | 1 | 1 | 1 | 1 | 1 |
| 43 | 10342-E13 | ELECTRODE | ÉLECTRODE | 1 | 1 | 1 | 1 | 1 | 1 | 1 | 1 | 1 | 1 | 1 |
| 44 | 52249-401 | FLAV-R-WAVE ® | FLAV-R-WAVE® | 1 | 1 | 1 | 1 | 1 | 1 | 1 | 1 | 1 | 1 | 1 |
| 45 | 52002-181 | GRID - PORCELAIN | GRILLE EN PORCELAINE | 5 | 5 | 5 | 5 | 5 | 5 | 5 | 5 | 5 | 5 | 5 |
| 46 | 52006-091 | GRID - WARMING RACK | GRILLE - MAINTIEN AU CHAUD | 1 | 1 | 1 | 1 | 1 | 1 | 1 | 1 | 1 | 1 | 1 |
| 47 | 1036-303 | GREASE TRAY | PLATEAU A GRASSE | 1 | 1 | 1 | 1 | 1 | 1 | 1 | 1 | 1 | 1 | 1 |
| 48 | 22009-002 | GREASE PAN | CUVETTE A GRASSE | 2 | 2 | 2 | 2 | 2 | 2 | 2 | 2 | 2 | 2 | 2 |
| 49 | 51209-101 | LEG - BRACKET | PIED | 4 | 4 | 4 | 4 | 4 | 4 | 4 | 4 | 4 | 4 | 4 |
| 50 | 52340-202 | LEG - BRACKET | LEG - SUPPORT | 4 | 4 | 4 | 4 | 4 | 4 | 4 | 4 | 4 | 4 | 4 |
| 51 | 51696-141R | CABINET - LOWER SHELF | TABLETTE INFÉRIEURE | 2 | 2 | 2 | 2 | 2 | 2 | 2 | 2 | 2 | 2 | 2 |
| 52 | 51246-911R | FRONT PANNEL | AVANT PANNEAU | 1 | 1 | 1 | 1 | 1 | 1 | 1 | 1 | 1 | 1 | 1 |
| 53 | 51429-158 | RESIN FOOT | RESINE - PIED | 2 | 2 | 2 | 2 | 2 | 2 | 2 | 2 | 2 | 2 | 2 |
| 54 | 10892-608 | WHEEL | ROUE | 2 | 2 | 2 | 2 | 2 | 2 | 2 | 2 | 2 | 2 | 2 |
| 55 | 53104-111 | SIDE SHELF | TABLETTE DE CÔTÉ | 1 | 1 | 1 | 1 | 1 | 1 | 1 | 1 | 1 | 1 | 1 |
| 56 | 53104-131 | SIDE SHELF | TABLETTE DE CÔTÉ | 1 | 1 | 1 | 1 | 1 | 1 | 1 | 1 | 1 | 1 | 1 |
| 57 | 53104-151 | SIDE SHELF - SIDE BURNER | TABLETTE DE CÔTÉ - BRÛLEUR DE CÔTÉ | 1 | 1 | 1 | 1 | 1 | 1 | 1 | 1 | 1 | 1 | 1 |
| 58 | 53404-114 | SIDE SHELF - FASCIA | TABLETTE DE CÔTÉ - FASCIA | 2 | 2 | 2 | 2 | 2 | 2 | 2 | 2 | 2 | 2 | 2 |
| 59 | 53184-138 | SIDE SHELF - END CAP - LEFT | TABLETTE DE CÔTÉ - FASCIA - GAUCHE | 1 | 1 | 1 | 1 | 1 | 1 | 1 | 1 | 1 | 1 | 1 |
| 60 | 53184-118 | SIDE SHELF - END CAP - RIGHT | TABLETTE DE CÔTÉ - FASCIA - DROIT | 1 | 1 | 1 | 1 | 1 | 1 | 1 | 1 | 1 | 1 | 1 |
| 61 | 10390-610 | SIDE BURNER | BRÛLEUR DE CÔTÉ | 1 | 1 | 1 | 1 | 1 | 1 | 1 | 1 | 1 | 1 | 1 |
| 62 | 53004-271 | SIDE BURNER - BODY | BRÛLEUR DE CÔTÉ - CORPS | 1 | 1 | 1 | 1 | 1 | 1 | 1 | 1 | 1 | 1 | 1 |
| 63 | 53000-251 | SIDE BURNER - COVER | BRÛLEUR DE CÔTÉ - COUVERCLE | 1 | 1 | 1 | 1 | 1 | 1 | 1 | 1 | 1 | 1 | 1 |
| 64 | 61339-981 | SIDE BURNER GRID | BRÛLEUR DE CÔTÉ - GRILLE | 1 | 1 | 1 | 1 | 1 | 1 | 1 | 1 | 1 | 1 | 1 |
| 65 | 23030-631 | SIDE SHELF - BRACKET - LEFT | TABLETTE DE CÔTÉ - ETRESILLON - GAUCHE | 1 | 1 | 1 | 1 | 1 | 1 | 1 | 1 | 1 | 1 | 1 |
| 66 | 23030-611 | SIDE SHELF - BRACKET - RIGHT | TABLETTE DE CÔTÉ - ETRESILLON - DROIT | 1 | 1 | 1 | 1 | 1 | 1 | 1 | 1 | 1 | 1 | 1 |
| 67 | 10422-118 | SIDE BURNER ELECTRODE | ELECTRODE DU BRÛLEUR DE CÔTÉ | 1 | 1 | 1 | 1 | 1 | 1 | 1 | 1 | 1 | 1 | 1 |
| 68 | 21289-119 | WIRE - TANK RETAINER | FIL - RETENUE DE RESERVOIR | 2 | 2 | 2 | 2 | 2 | 2 | 2 | 2 | 2 | 2 | 2 |
| 69 | 21289-13 | WIRE - CLIP | FIL - CLIP | 2 | 2 | 2 | 2 | 2 | 2 | 2 | 2 | 2 | 2 | 2 |
| 70 | Y12855 | SCREW - #6 X 1/4 | VIS - #6 X 1/4 | 16 | 16 | 16 | 16 | 16 | 16 | 16 | 16 | 16 | 16 | 16 |
| 71 | Y12855 | SCREW - #8 X 3/8 | VIS - #8 X 3/8 | 15 | 15 | 15 | 15 | 15 | 15 | 15 | 15 | 15 | 15 | 15 |
| 72 | Y12855 | SCREW - #8 X 1/2 | VIS - #8 X 1/2 | 8 | 8 | 8 | 8 | 8 | 8 | 8 | 8 | 8 | 8 | 8 |
| 73 | Y12641 | SCREW - SHOULDER #8 X 1/2 | VIS - SHOULDER #8 X 1/2 | 16 | 16 | 16 | 16 | 16 | 16 | 16 | 16 | 16 | 16 | 16 |
| 74 | Y29304 | SCREW - #10-24 X 3/8 | VIS - #10-24 X 3/8 | 8 | 8 | 8 | 8 | 8 | 8 | 8 | 8 | 8 | 8 | 8 |
| 75 | Y29304 | SCREW - #10-24 X 5/8 | VIS - #10-24 X 5/8 | 8 | 8 | 8 | 8 | 8 | 8 | 8 | 8 | 8 | 8 | 8 |
| 76 | Y29310 | SCREW - #10-24 X 3/4 | VIS - #10-24 X 3/4 | 4 | 4 | 4 | 4 | 4 | 4 | 4 | 4 | 4 | 4 | 4 |
| 77 | Y112865 | SCREW - #10-24 X 1/2 | VIS - #10-24 X 1/2 | 1 | 1 | 1 | 1 | 1 | 1 | 1 | 1 | 1 | 1 | 1 |
| 78 | Y11546 | SCREW - SHOULDER 1/4-20 X 5/8 | VIS - SHOULDER - 1/4-20 X 5/8 | 30 | 30 | 30 | 30 | 30 | 30 | 30 | 30 | 30 | 30 | 30 |
| 79 | Y12310 | SCREW - 1/4-20 X 3/4 | VIS - 1/4-20 X 3/4 | 4 | 4 | 4 | 4 | 4 | 4 | 4 | 4 | 4 | 4 | 4 |
| 80 | Y12860 | SCREW - 1/4-20 X 1 | VIS - 1/4-20 X 1 | 2 | 2 | 2 | 2 | 2 | 2 | 2 | 2 | 2 | 2 | 2 |
| 81 | Y11562 | SCREW - 1/4-20 X 2 1/2 | SCREW - 1/4-20 X 2 1/2 | 12 | 12 | 12 | 12 | 12 | 12 | 12 | 12 | 12 | 12 | 12 |
| 82 | Y29307 | NUT - #10-24 | ECROU - #10-24 | 2 | 2 | 2 | 2 | 2 | 2 | 2 | 2 | 2 | 2 | 2 |
| 83 | Y11793 | NUT - 1/4-20 | ECROU - 1/4-20 | 2 | 2 | 2 | 2 | 2 | 2 | 2 | 2 | 2 | 2 | 2 |
| 84 | Y12870 | WASHER - #10 | RONDELLE - #10 | 6 | 6 | 6 | 6 | 6 | 6 | 6 | 6 | 6 | 6 | 6 |
| 85 | 521233 | CLIP | CLIP | 4 | 4 | 4 | 4 | 4 | 4 | 4 | 4 | 4 | 4 | 4 |
| 86 | 10240-23 | HINGE PIN | GOUPILLE DE CHARNIÈRE | 4 | 4 | 4 | 4 | 4 | 4 | 4 | 4 | 4 | 4 | 4 |
| 87 | 521242 | CLIP | CLIP | 2 | 2 | 2 | 2 | 2 | 2 | 2 | 2 | 2 | 2 | 2 |
| 88 | Y11544 | BURNER SCREW | VIS DU BRÛLEUR | 4 | 4 | 4 | 4 | 4 | 4 | 4 | 4 | 4 | 4 | 4 |
| 89 | 10240-13 | WHEEL PIN | PIN ESSIEU | 3 | 3 | 3 | 3 | 3 | 3 | 3 | 3 | 3 | 3 | 3 |
| 90 | Y11230 | CLIP | CLIP | 2 | 2 | 2 | 2 | 2 | 2 | 2 | 2 | 2 | 2 | 2 |
| 91 | Y11231 | BUMPER - ROUND | BUTOIR - CERCLE | 1 | 1 | 1 | 1 | 1 | 1 | 1 | 1 | 1 | 1 | 1 |
| 92 | Y11235 | LID BUMPER - ROUND | BUTOIR DU COUVERCLE - CERCLE | 3 | 3 | | | | | | | | | |