

This Owner's Manual is provided and hosted by [Appliance Factory Parts](#).



Broil-Mate 7132-64 Owner's Manual

[Shop genuine replacement parts for Broil-Mate 7132-64](#)



[Find Your Broil-Mate Grill Parts - Select From 682 Models](#)

----- Manual continues below part list -----

Available Replacement Parts for Broil-Mate 7132-64

| | |
|---------------------------|-----------------------------------|
| 18013 | LID HEAT INDICATOR - LARGE - SS |
| S21233 | HITCH PIN CLIP + |
| Y-12860 | SCREW-THCP 1/4-20 X 1-TY-C A04 |
| Y-11793 | NUT HEX 1/4 20 JS500 + |
| Y-12835 | SCREW-PHCP 6-32X1/4 TY-F JS500 |
| Y-29307 | NUT HEX #10-24 JS500 |
| 10240-13 | WHEEL PIN |
| Y-11230 | HAIRPIN COTTER SIDE BURNER + |
| Y-11546 | SCREW PHCP 1/4-20X5/8 INCH A04#A |
| S21124 | SCREW PHCP #8 X 12 + |
| 10390-E10 | BURNER SIDE 10BTU W/ELEC #8 + |
| Y-29304 | SCREW PHCP #10 24x3/8 |
| S21125 | SCREW 8 X 3/8 PAN HEAD |
| S35094 | SCREW #10-24 X 5/8 |
| 10342-246 | IGNITOR ELECTRONIC TRIPLE + |
| Y-11231 | LID BUMPER ROUND BLK |
| 10342-E13 | ELECTRODE W/WIRE |
| 10342-T18 | WIRE ELECTRODE S/B 600 + |
| 24006-12A | HANDLE LID ASSY 625 |
| 52007-181 | COOKING GRID 550 PORC BLK + |
| 10240-23 | LID PIN 1/4-20 |
| Y-29310 | SCREW #10-24 3/4 TRUSS QU |
| 52316-151 | FIREBOX 550 HOOD PANEL PORC |
| 59006-034 | CONTROL ASSY 5V S/B LP |
| 59006-037 | CONTROL ASSY 5V S/B NG |
| 52006-991 | WARMING RACK 550 PORC + |
| 20005-000 | HARDWARE BAG STICK & CHAIN SS |
| 44089-60 | NAMEPLATE PATRIOT |
| 52016-903 | COLLECTOR BOX ASSEMBLY 625 |
| 80012 | regulator and hose READ ADD. INFO |

| | |
|-----------------------------|--|
| 10892-608 | WHEEL 6 INCH |
| 22049-102 | GREASE TRAY BRACKET GAL 330/440/550 |
| 51429-158 | RESIN FOOT 330/440 |
| 53184-118 | SHELF END CAP RHS 330/440 |
| 53184-138 | SHELF END CAP LHS 330/440 |
| 53404-114 | SHELF FRONT FACIA RHS 330/440 |
| 53009-951 | SIDE BURNER TRIVET BLK |
| Y-11235 | LID BUMPER HEX-BLK AB |
| Y-12865 | SCREW 1/4 X 20X1/2 TYPE-C PHCP |
| 52249-404 | HEAT TENT SS |
| 53104-111 | SHELF RHS BLK 330/440 |
| 59006-014 | CONTROL ASSY 550 5V LP |
| 59006-017 | VALVE ASSY 550 5V MAIN NG |
| S21242 | CLIP BURNER TUBE MOUNT SS |
| 52924-144R | BURNER - MAIN |
| 57056-901 | GREASE TRAY BLK |
| Y-11544S | SCREW - BURNER #10-24 X 3/8 |
| 10111-K45 | HOSE 3/8 INCH ASSEMBLY NG 10 FOOT + |
| 10081-69BM | NAMEPLATE BROILMATE |
| 24009-936 | HANDLE RING |
| 10342-247 | IGNITOR ELECTRONIC + |
| 10472-K431 | CONTRL KNOB RESIN LRG BLCK W/SS BA STRIP |
| 22001-168 | CONTROL KNOB BEZEL SML |
| 22002-268 | CONTROL KNOB BEZEL LARGE |
| 52009-901 | GREASE PAN - BLACK HIGH HEAT PAINT |
| 52904-144NG | BURNER ASSY MAIN SINGLE TUBE + NG |
| 27249-904 | GREASE SHIELD MODULAR, 6.5 x 6 |



REDDI-BUILT BABEQUES

ASSEMBLY MANUAL & PARTS LIST • MANUEL DE MONTAGE & LISTE DE PIECES • MANUAL DE ARMADO Y LISTA DE PARTES



broil-mate™
ONE TOUGH GRILL
7132-64/67

STERLING®
5132-64/67
5132-54/57

RETAIN FOR FUTURE REFERENCE • VEUILLEZ CONSERVER POUR REFERENCE ULTERIEURE • CONSERVER PARA FUTURAS CONSULTAS

1-800-265-2150

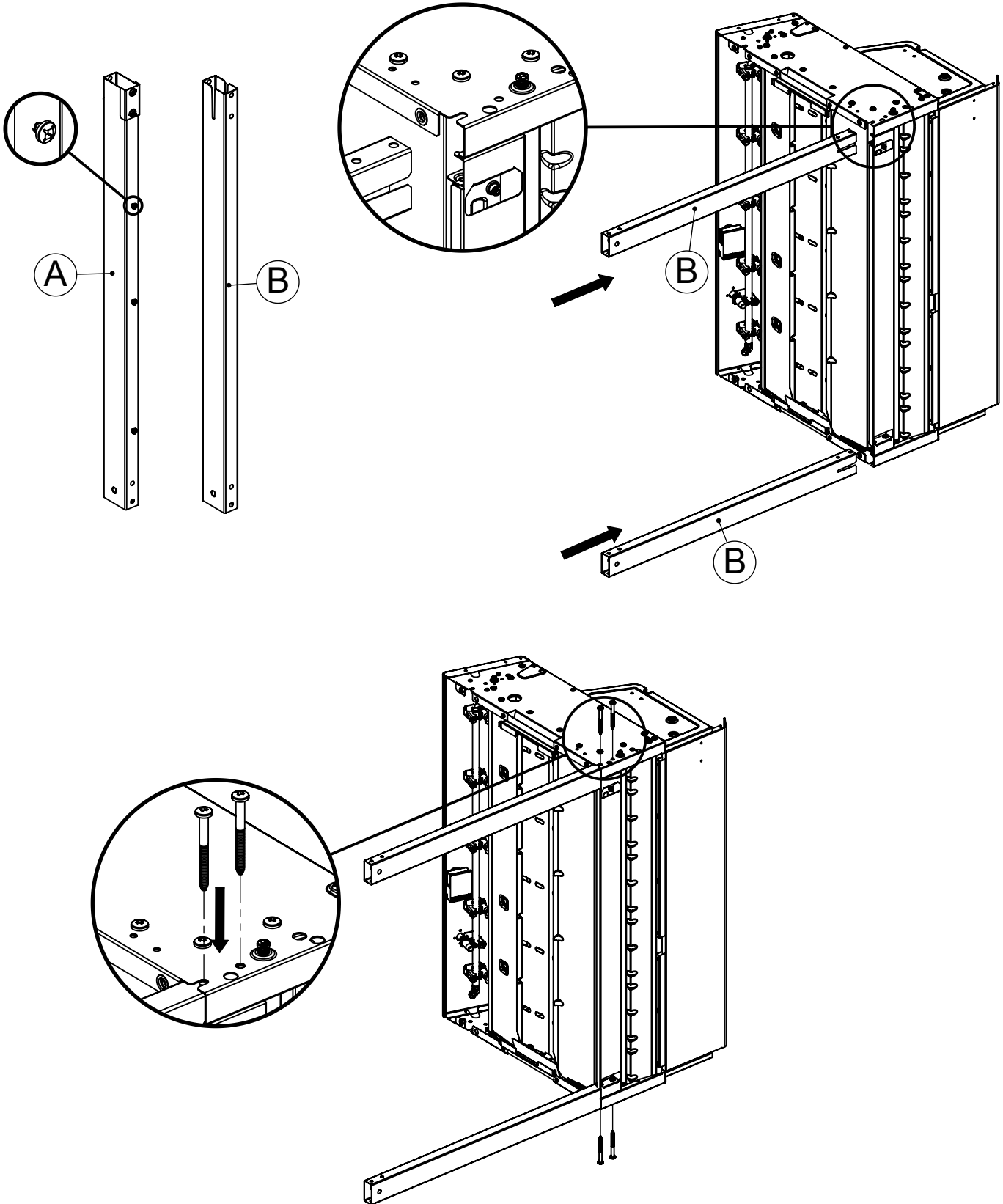
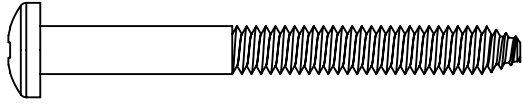
info@omcbbq.com

Onward
SINCE 1906
MANUFACTURING COMPANY
1000 EAST MARKET STREET
HUNTINGTON, INDIANA, 46750, USA

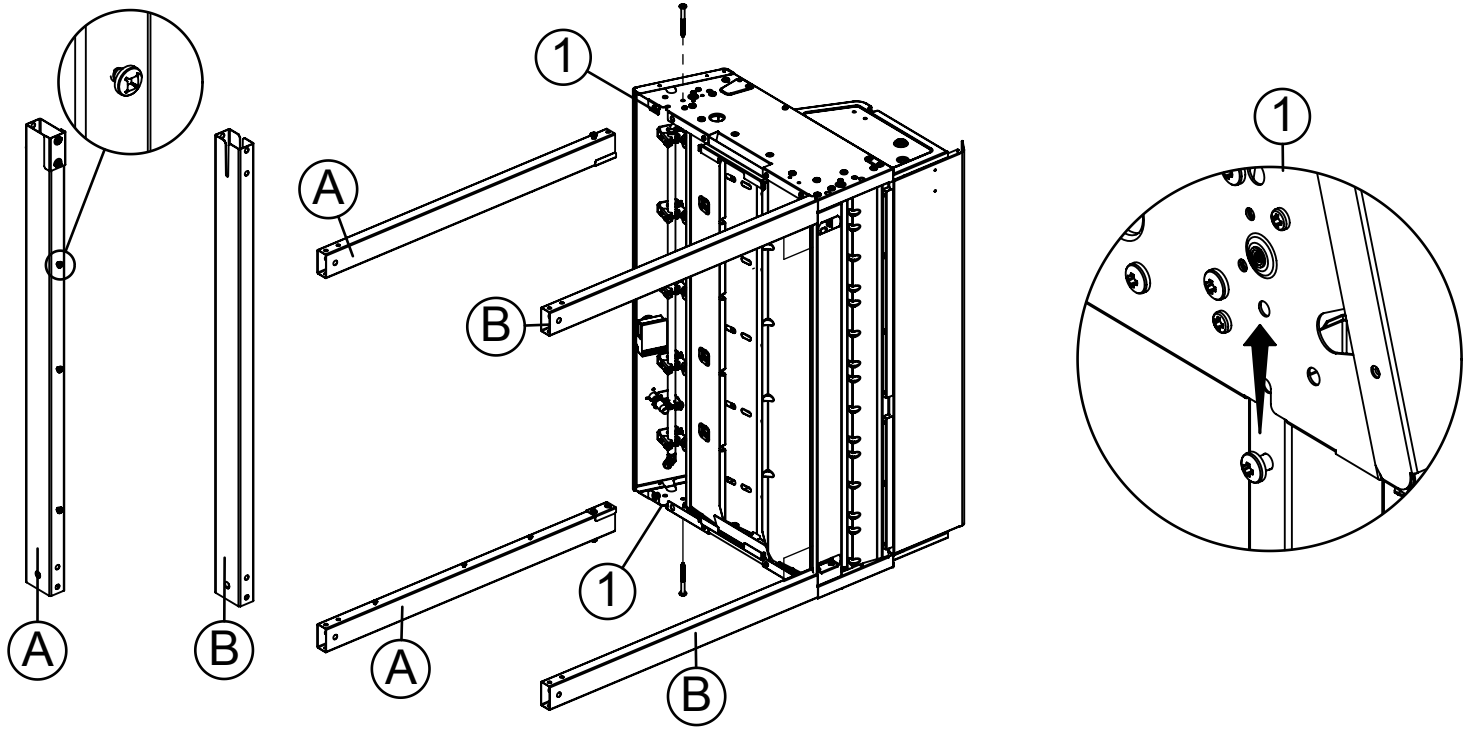
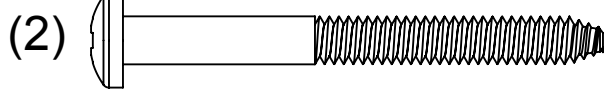
50084-C90 Rev A 11/13

1

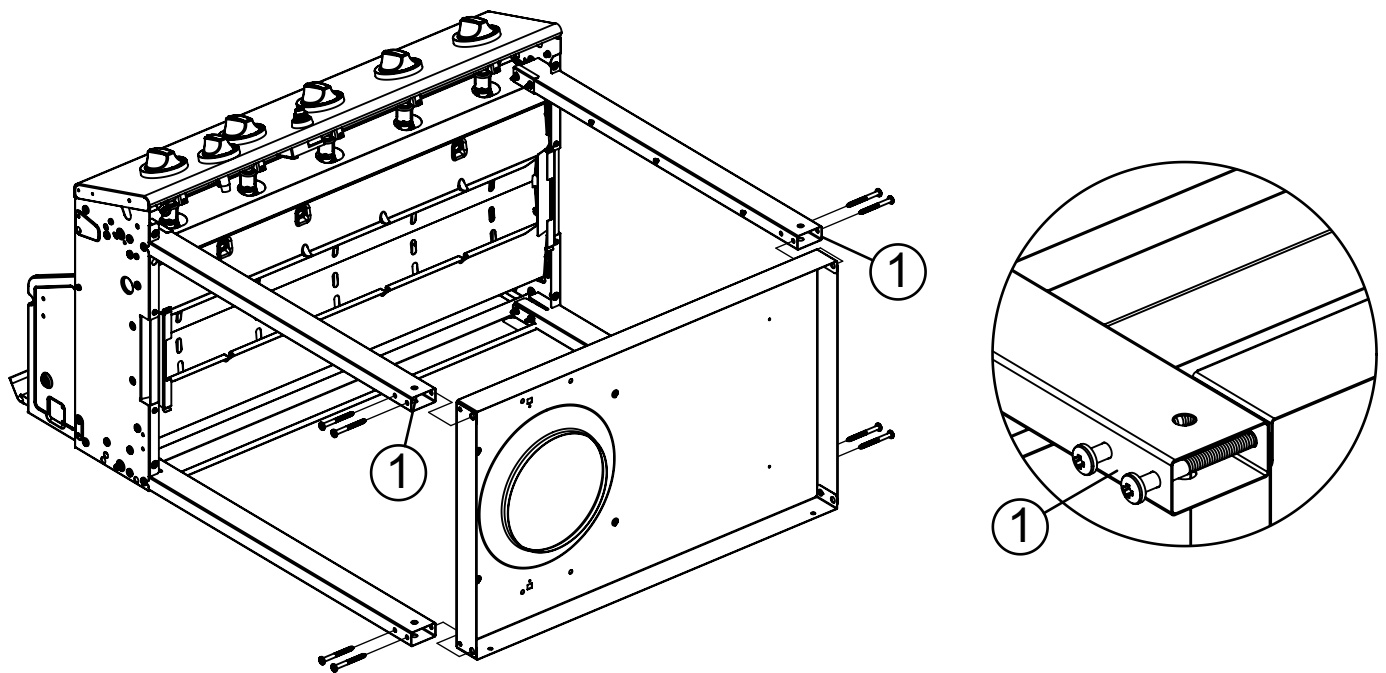
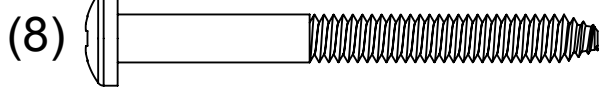
(4)



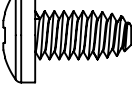
2

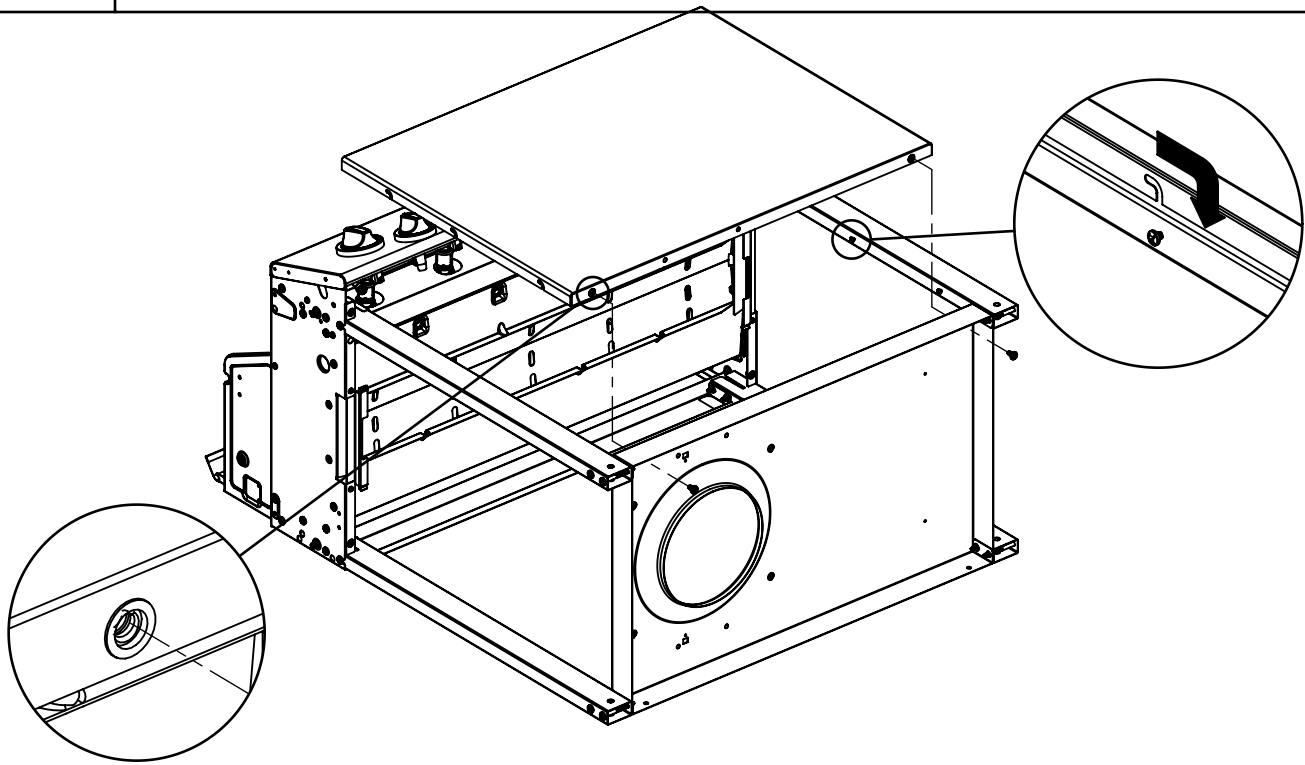


3

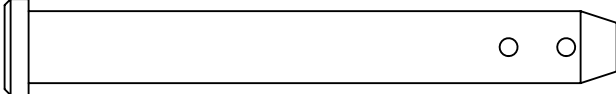
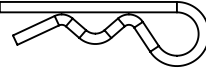


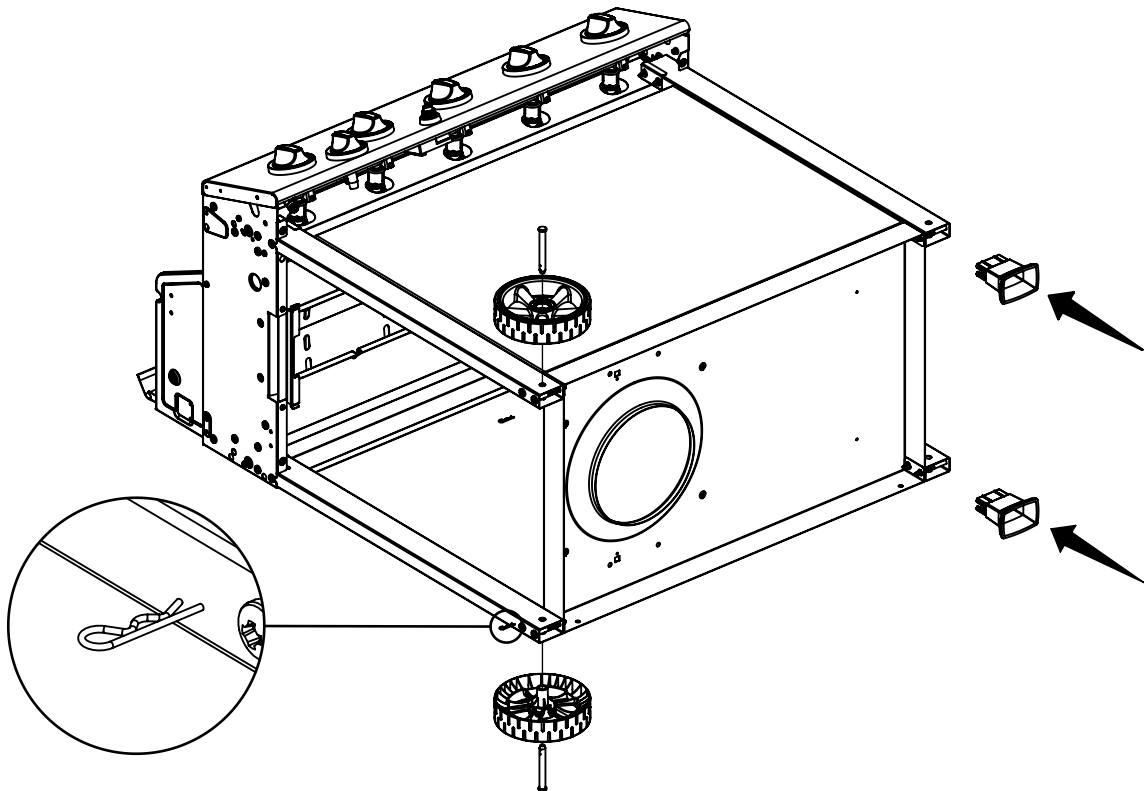
4

(2) 

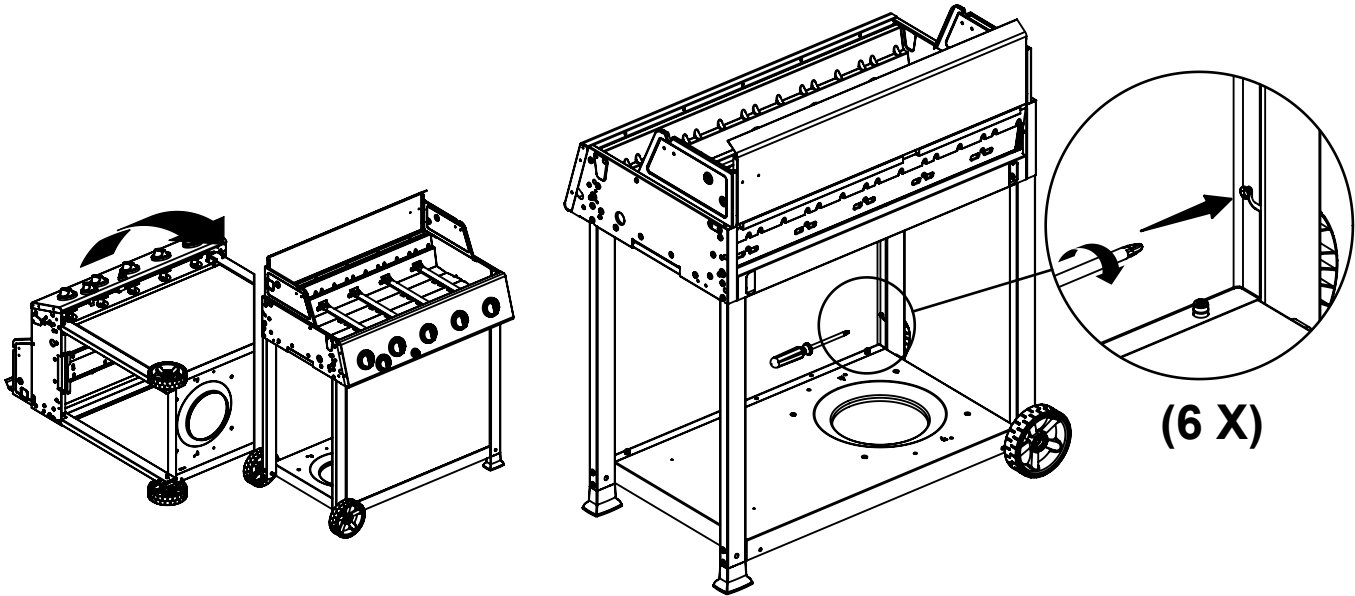
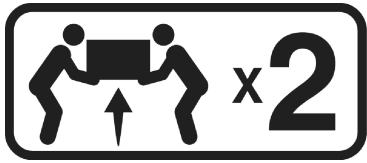


5

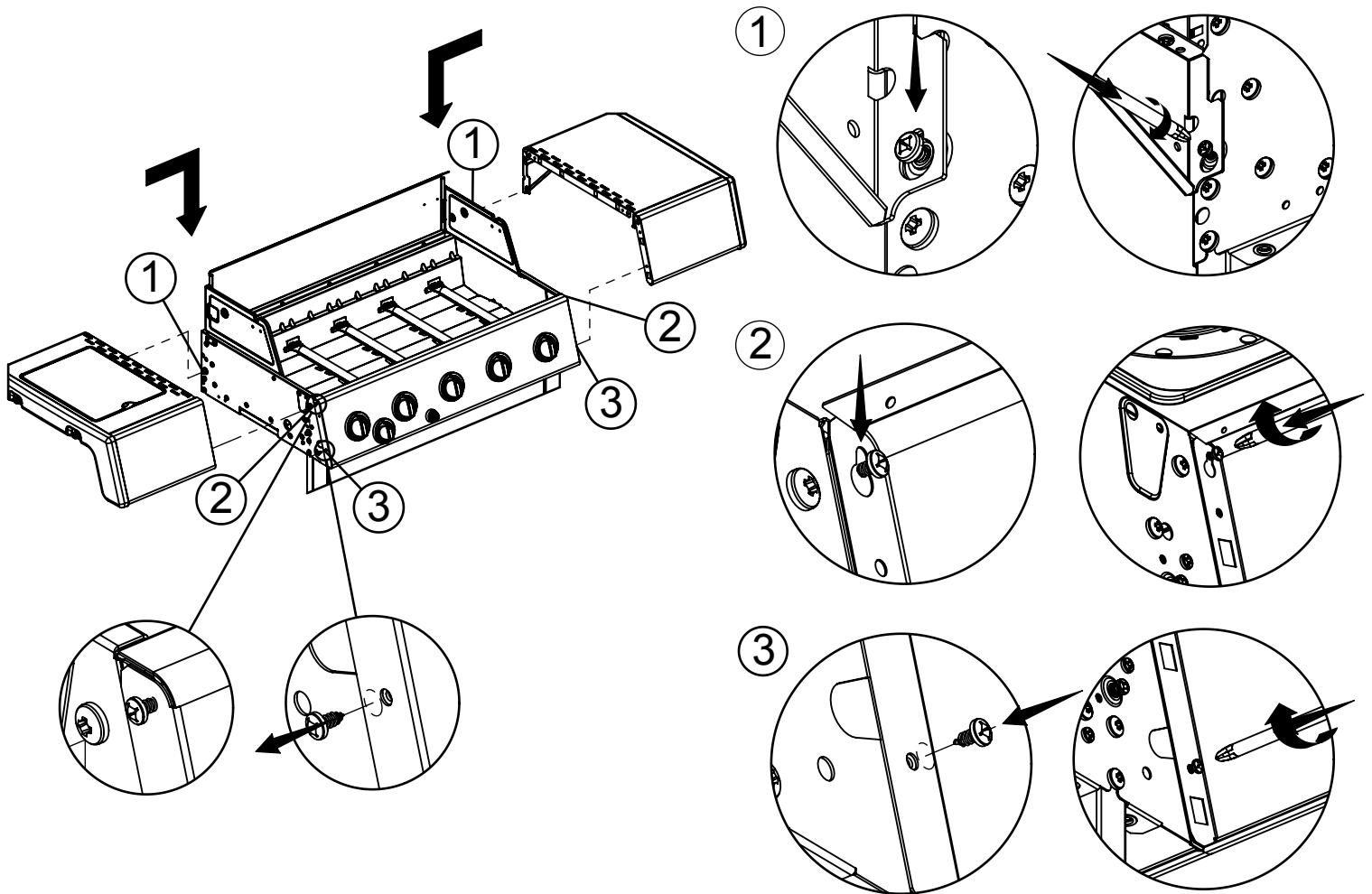
(2)  (2) 



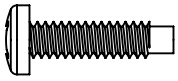
6

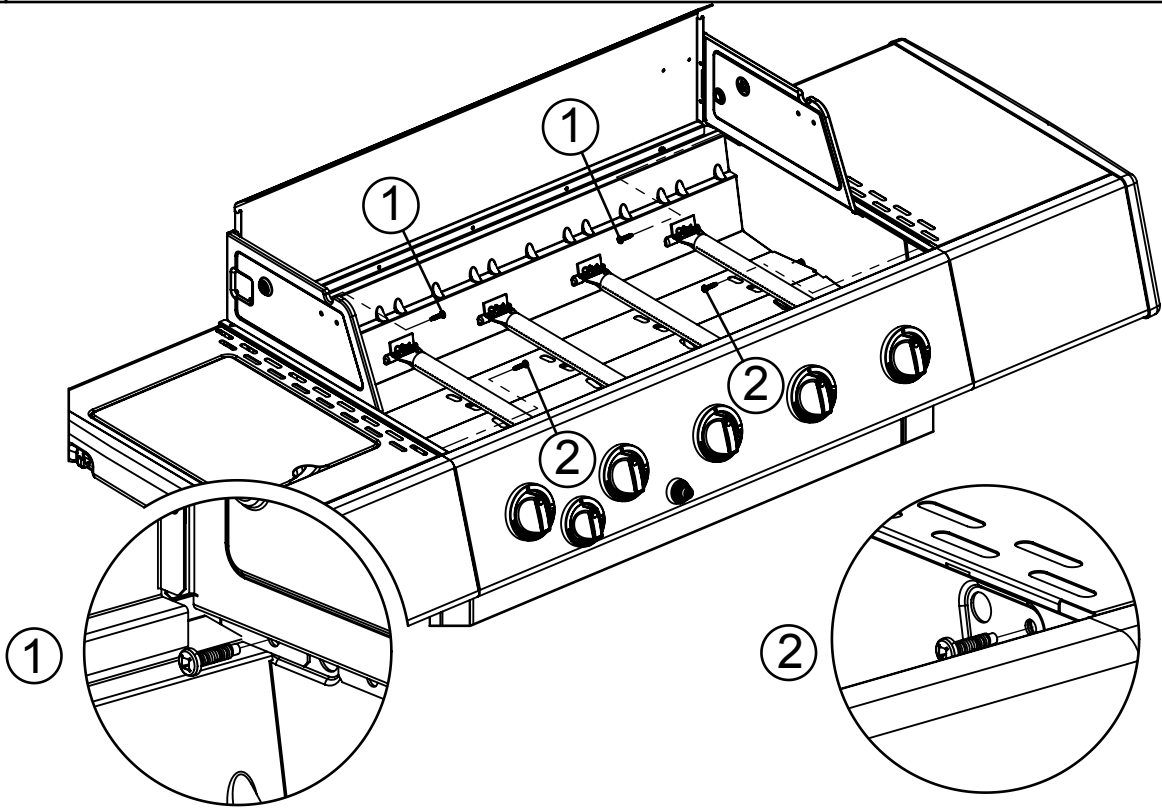


7

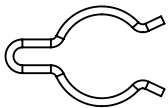


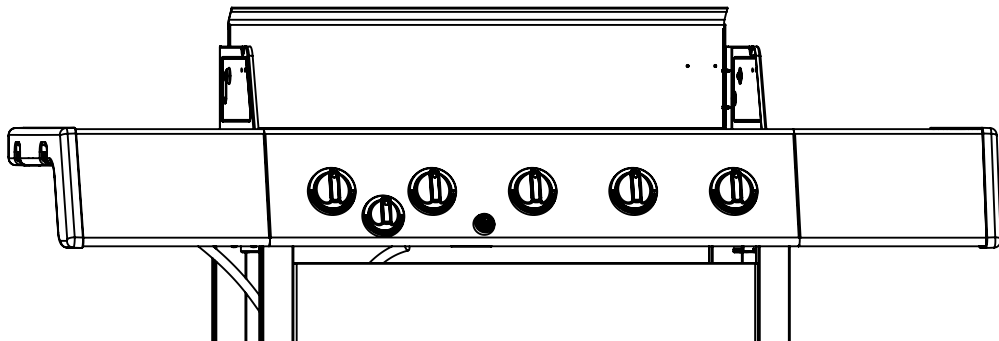
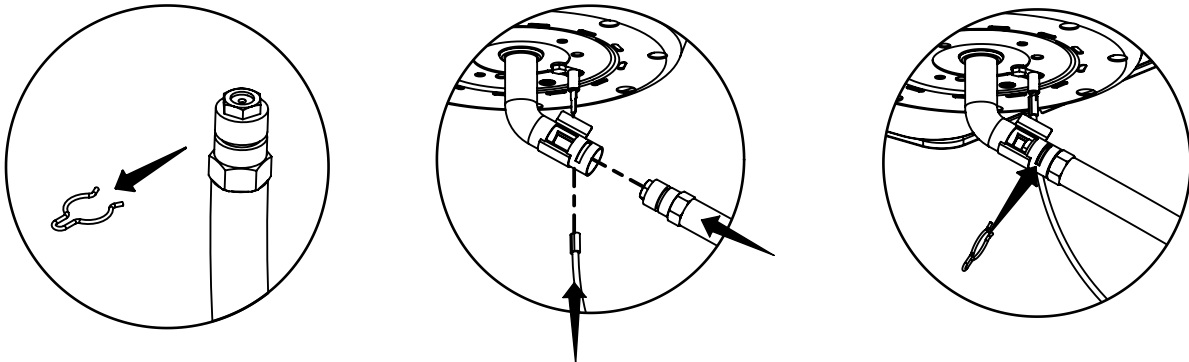
8

(4) 

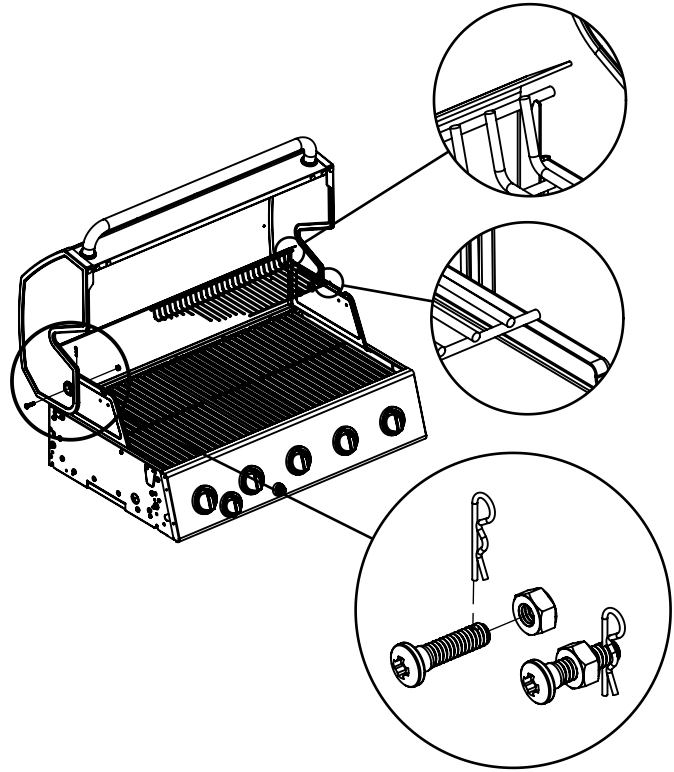
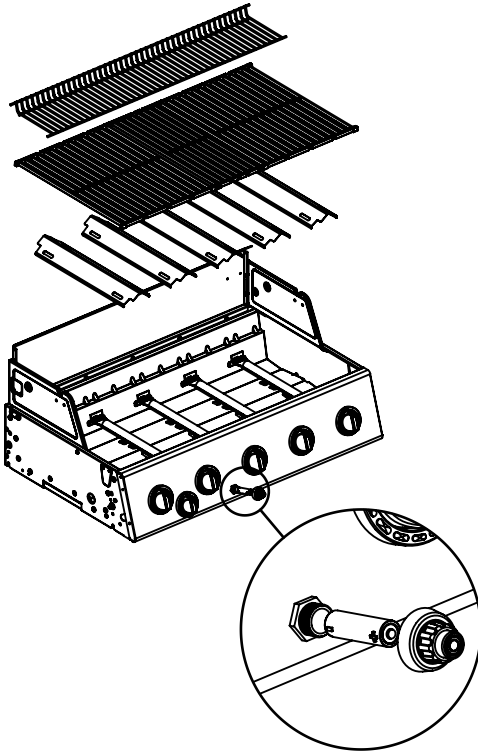
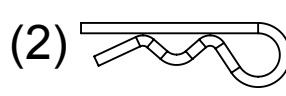
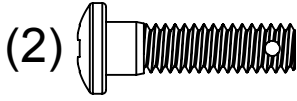


9

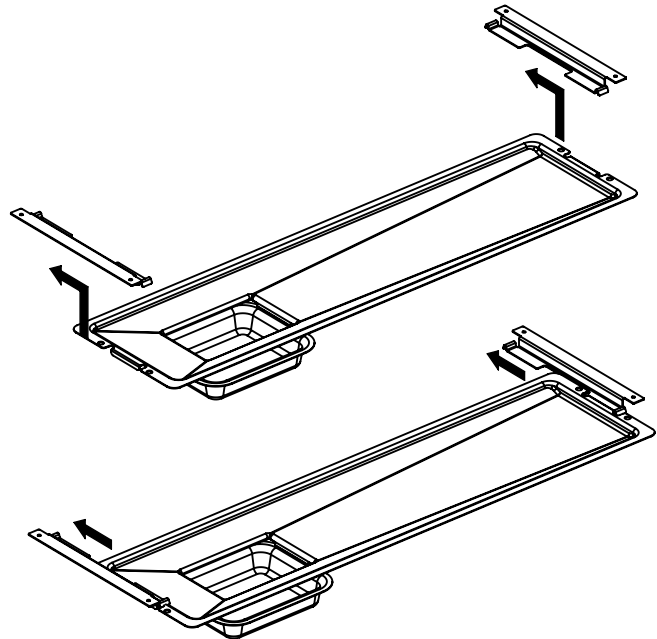
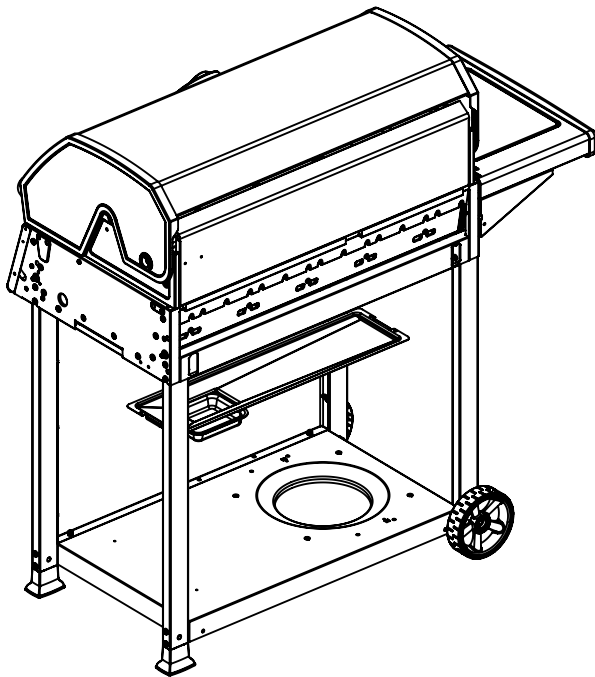
(1) 




10

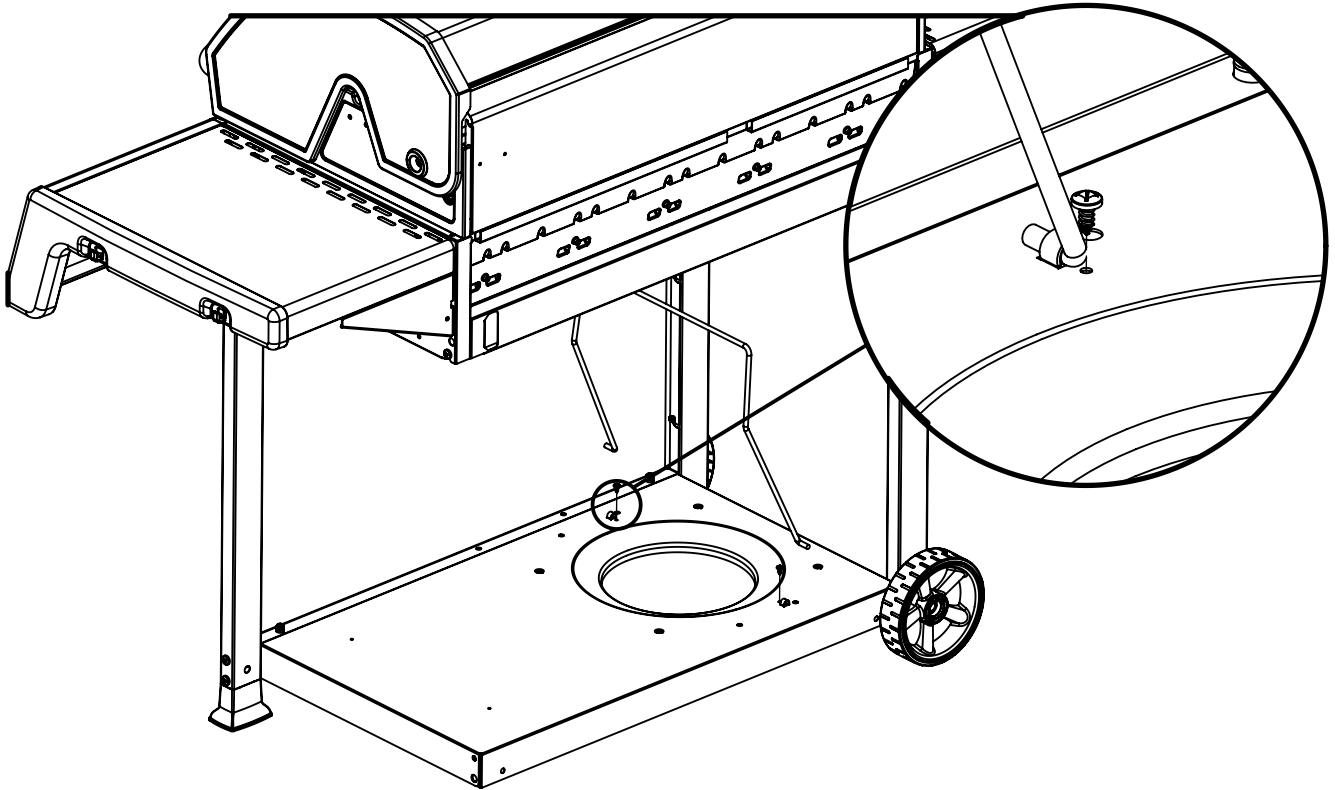


11

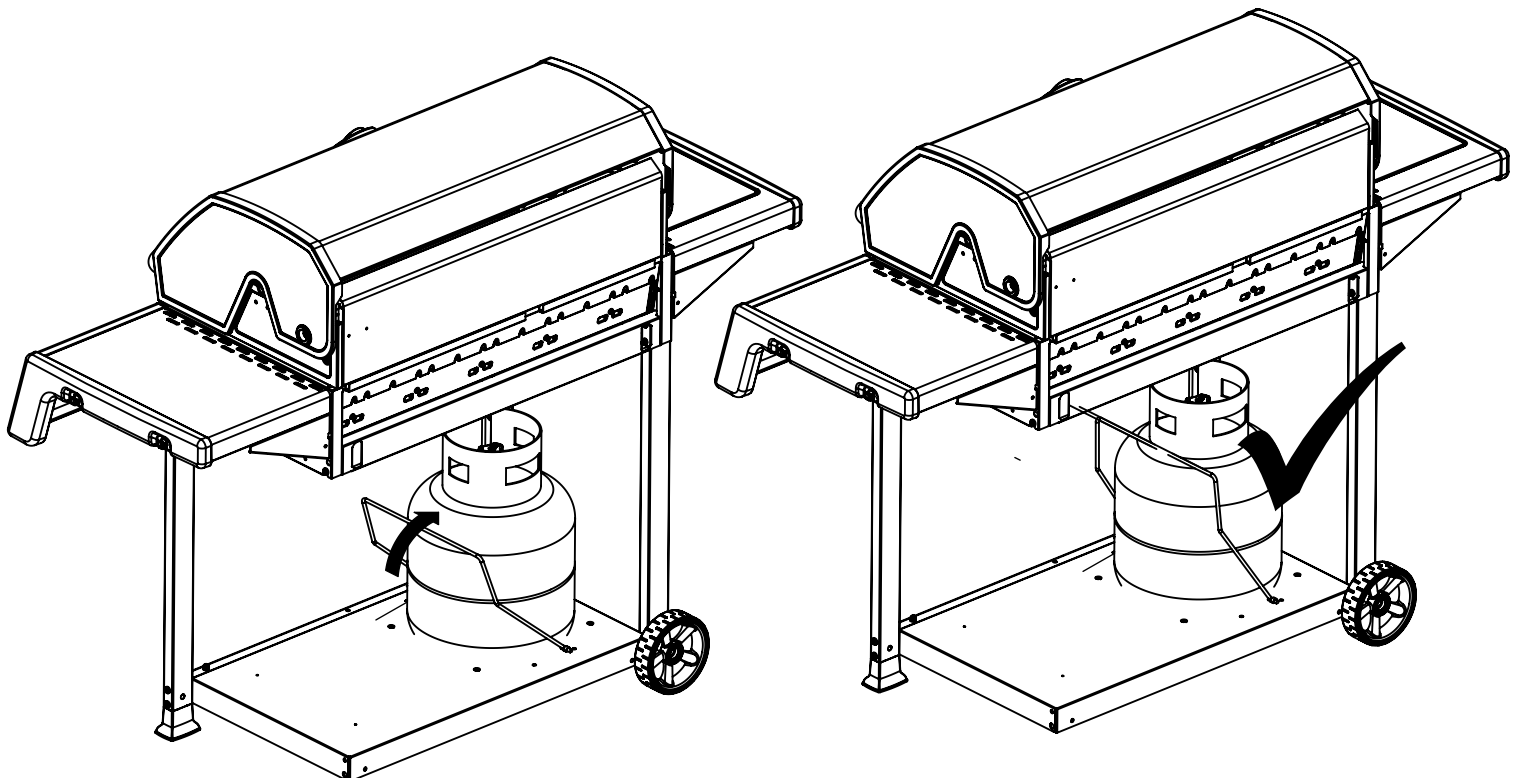


12

(2)  (2) 



13



| KEY # | ITEM # | DESCRIPTION | DESCRIPTION | DESCRIPCIÓN | 5132-54/57 | 5132-64/67 | 7132-64/67 |
|-------|-------------|-------------------------------|--|---|------------|------------|------------|
| 1 | 56104-331 | LID - SIDE PANEL - LEFT | COUVERCLE - PANNEAU LATERAL - GAUCHE | TAPA - PANEL LATERAL - IZQUIERDA | 1 | 1 | 1 |
| 2 | 56104-311 | LID - SIDE PANEL - RIGHT | COUVERCLE - PANNEAU LATERAL - DROITE | TAPA - PANEL LATERAL - DERECHA | 1 | 1 | 1 |
| 3 | 56316-304 | LID - OUTER PANEL | COUVERCLE - PANNEAU EXTERIEUR | TAPA - PANEL EXTERIOR | 1 | 1 | 1 |
| 4 | 56246-30 | LID - INNER PANEL | COUVERCLE - PANNEAU INTERIEUR | TAPA - PANEL INTERIOR | 1 | 1 | 1 |
| 5 | 24006-12A | HANDLE | POIGNÉE | MANGO | 1 | 1 | 1 |
| 6 | 24009-936 | HANDLE BEZEL | MONTURE DE POIGNÉE | BISEL DEL MANGO | 2 | 2 | 2 |
| 8 | 10081-S50 | NAMEPLATE | PLAQUE D'IDENTIFICATION | PLACA CON NOMBRE | • | • | • |
| | 50089-H501 | | | | • | • | • |
| | 10081-BM50 | | | | • | • | 1 |
| | 10081-S60 | | | | 1 | 1 | • |
| 9 | 10571-5 | HEAT INDICATOR | INDICATEUR DE CHALEUR | INDICADOR DE TEMPERATURA | • | • | 1 |
| | 10571-6 | | | | 1 | 1 | • |
| 11 | 52114-131R | PANEL - SIDE UPPER - LEFT | PANNEAU - LATERAL SUPÉRIEUR - GAUCHE | PANEL - LATERAL SUPERIOR - IZQUIERDO | 1 | 1 | 1 |
| 12 | 52114-111R | PANEL - SIDE UPPER - RIGHT | PANNEAU - LATERAL SUPÉRIEUR - DROITE | PANEL - LATERAL SUPERIOR - DERECHO | 1 | 1 | 1 |
| 15 | 56006-001P | COOKBOX ASSEMBLY | COOKBOX ASSEMBLEE | CONJUNTO DE CAJA DE COCCIÓN | 1 | 1 | 1 |
| 17 | 27246-90 | GREASE SHEILD | PROTECTION CONTRE LA GRAISSE | PROTECTOR CONTRA GRASA | 1 | 1 | 1 |
| 18 | 52446-92 | HEAT SHEILD - FRONT | PROTECTION CONTRE LA CHALEUR - FRONTAL | PROTECTOR CONTRA CALOR - FRENTE | 1 | 1 | 1 |
| 22 | 52336-121 | REAR - BRACE | ÉTRÉSILLON - ARRIÈRE | POSTERIOR - SOPORTE | 1 | 1 | 1 |
| 23 | 52316-151 | PANEL - HOOD | PANNEAU DE LA CUVE | PANEL - CUBIERTA | 1 | 1 | 1 |
| 25 | 52904-144LP | BURNER - MAIN | BRÛLEUR - PRINCIPAL | QUEMADOR - PRINCIPAL | 5/• | 5/• | 5/• |
| | 52904-144NG | | | | •/5 | •/5 | •/5 |
| 26 | 52226-014 | COLLECTOR BOX - FRONT LOWER | RECIPIENT - FRONTAL INFÉRIEUR | CAJA RECOLECTORA - DELANTERA INFERIOR | 1 | 1 | 1 |
| 27 | 52216-014 | COLLECTOR BOX - FRONT UPPER | RECIPIENT - FRONTAL SUPÉRIEUR | CAJA RECOLECTORA - DELANTERA SUPERIOR | 1 | 1 | 1 |
| 28 | 52016-234 | CONTROL COVER | PANNEAU DE CONTROLE | CUBIERTA DE CONTROL | • | 1 | 1 |
| | 52016-114 | | | | 1 | • | • |
| 29 | 59006-034 | CONTROL ASSEMBLY | SOUPAPE | MECANISMO DE CONTROL | • | 1/• | 1/• |
| | 59006-037 | | | | • | •/1 | •/1 |
| | 59006-014 | | | | 1/• | • | • |
| | 59006-017 | | | | •/1 | • | • |
| 30 | S13470-091 | HOSE - SIDE BURNER | TUYAU - BRÛLEUR DE CÔTÉ | MANGUERA - QUEMADOR LATERAL | • | 1/• | 1/• |
| | S13470-132 | | | | • | •/1 | •/1 |
| 31 | 10114-20 | HOSE & REGULATOR | TUYAU ET REGULATEUR PL | MANGUERA Y REGULADOR | 1/• | 1/• | 1/• |
| | 10111-K45 | NATURAL GAS HOSE | TUYAU DE GAZ NATUREL | MANGUERA PARA GAS NATURAL | •/1 | •/1 | •/1 |
| 38 | 22001-168 | CONTROL KNOB - BEZEL | BOUTON DE CONTROLE - MONTURE | PERILLA DE CONTROL - BISEL | • | 1 | 1 |
| 39 | 22002-268 | CONTROL KNOB - BEZEL | BOUTON DE CONTROLE - MONTURE | PERILLA DE CONTROL - BISEL | 5 | 5 | 5 |
| 40 | 10472-K37 | CONTROL KNOB | BOUTON DE CONTROLE | PERILLA DE CONTROL | • | • | • |
| | 10472-K431 | | | | 5 | 5 | 5 |
| 41 | 50479-168 | CONTROL KNOB | BOUTON DE CONTROLE | PERILLA DE CONTROL | • | • | • |
| | 10472-K231 | | | | • | 1 | 1 |
| 42 | 10342-247 | ELECTRONIC IGNITOR | ALLUMAGE ÉLECTRONIQUE | ENCENDEDOR ELECTRÓNICO | • | 1 | 1 |
| | 10342-246 | | | | 1 | • | • |
| 43 | 10342-E13 | ELECTRODE | ÉLECTRODE | ELECTRODO | 2 | 2 | 2 |
| 44 | 52249-401 | FLAV-R-WAVE ® | FLAV-R-WAVE ® | FLAV-R-WAVE® | • | • | • |
| | 52209-404 | | | | 5 | 5 | 5 |
| 45A | 52002-181 | GRID - PORCELAIN | GRILLE EN PORCELAINE | REJILLA - PORCELANA | 2 | 2 | 2 |
| 45B | 52007-181 | GRID - PORCELAIN | GRILLE EN PORCELAINE | REJILLA - PORCELANA | 1 | 1 | 1 |
| 46 | 52006-091 | GRID - WARMING RACK | GRILLE - MAINTIEN AU CHAUD | REJILLA - ESTANTE PARA CALENTAR | 1 | 1 | 1 |
| 47 | 57056-902 | GREASE TRAY | PLATEAU A GRAISSE | BANDEJA RECOLECTORA DE GRASA | 1 | 1 | 1 |
| 48 | 22049-102 | GREASE TRAY - BRACKERT | PLATEAU A GRAISSE - FERROVIAIRE | BANDEJA RECOLECTORA DE GRASA - SOPORTE | 2 | 2 | 2 |
| 49 | 52009-902 | GREASE PAN | CUVETTE A GRAISSE | BANDEJA PARA LA GRASA | 1 | 1 | 1 |
| 50 | 52349-921 | COVER | COUVERCLE DE FINITION | CUBIERTA DE ACABADO | 1 | 1 | 1 |
| 51 | 52344-921 | COVER | COUVERCLE DE FINITION | CUBIERTA DE ACABADO | 1 | 1 | 1 |
| 59 | 51299-101 | LEG - FORNT | LEG - AVANT | PATA - FACHADA | 2 | 2 | 2 |
| 60 | 51399-101 | LEG - REAR | LEG - ARRIÈRE | PATA - TRASERO | 2 | 2 | 2 |
| 61 | 52339-202 | LEG - BRACKET | LEG - SUPPORT | PARA - SOPORTE | 2 | 2 | 2 |
| 65 | 51696-141R | CABINET - LOWER SHELF | TABLETTE INFÉRIEURE | GABINETE - ESTANTE INFERIOR | 1/• | 1/• | 1/• |
| | 51696-171R | | | | •/1 | •/1 | •/1 |
| 67 | 51246-911R | FRONT PANNEL | AVANT PANNEAU | PANEL FRONTAL | 1 | 1 | 1 |
| 69 | 51429-158 | RESIN FOOT | RESINE - PIED | TOPE DE RESINA | 2 | 2 | 2 |
| 70 | 10892-608 | WHEEL | ROUE | RUEDA | 2 | 2 | 2 |
| 80 | 53104-11S1 | SIDE SHELF | TABLETTE DE CÔTÉ | ESTANTE LATERAL | 1 | 1 | 1 |
| | 53104-13S1 | SIDE SHELF | TABLETTE DE CÔTÉ | ESTANTE LATERAL | 1 | • | • |
| 82 | 53104-15S1 | SIDE SHELF - SIDE BURNER | TABLETTE DE CÔTÉ - BRÛLEUR DE CÔTÉ | ESTANTE LATERAL - QUEMADOR LATERAL | • | 1 | 1 |
| 83 | 53404-114 | SIDE SHELF - FASCIA | TABLETTE DE CÔTÉ - FASCIA | ESTANTE LATERAL - PLACA FRONTAL | 2 | 2 | 2 |
| 84 | 53184-138 | SIDE SHELF - END CAP - LEFT | TABLETTE DE CÔTÉ - FASCIA - GAUCHE | ESTANTE LATERAL - TAPA DE EXTREMO - IZQUIERDA | 1 | 1 | 1 |
| 85 | 53184-118 | SIDE SHELF - END CAP - RIGHT | TABLETTE DE CÔTÉ - FASCIA - DROIT | ESTANTE LATERAL - TAPA DE EXTREMO - DERECHA | 1 | 1 | 1 |
| 86 | 10390-E10 | SIDE BURNER | BRÛLEUR DE CÔTÉ | QUEMADOR LATERAL | • | 1 | 1 |
| 87 | 53004-271 | SIDE BURNER - BODY | BRÛLEUR DE CÔTÉ - CORPS | QUEMADOR LATERAL - CUERPO | • | 1 | 1 |
| 88 | 53000-251 | SIDE BURNER - COVER | BRÛLEUR DE CÔTÉ - COUVERCLE | QUEMADOR LATERAL - CUBIERTA | • | 1 | 1 |
| 89 | 63139-981 | SIDE BURNER GRID | BRÛLEUR DE CÔTÉ - GRILLE | REJILLA DEL QUEMADOR LATERAL | • | 1 | 1 |
| 90 | 23030-631 | SIDE SHELF - BRACKET - LEFT | TABLETTE DE CÔTÉ - ÉTRÉSILLON - GAUCHE | ESTANTE LATERAL - SOPORTE - IZQUIERDO | 1 | 1 | 1 |
| 91 | 23030-611 | SIDE SHELF - BRACKET - RIGHT | TABLETTE DE CÔTÉ - ÉTRÉSILLON - DROIT | ESTANTE LATERAL - SOPORTE - DERECHO | 1 | 1 | 1 |
| 95 | 10342-T21 | SIDE BURNER ELECTRODE | ÉLECTRODE DU BRÛLEUR DE CÔTÉ | ELECTRODO DEL QUEMADOR LATERAL | • | 1 | 1 |
| 100 | 21299-19 | WIRE - TANK RETAINER | FIL - RETENUE DE RÉSERVOIR | ALAMBRE - RETÉN DEL TANQUE | 1 | 1 | 1 |
| 102 | 21239-13 | WIRE - CLIP | FIL - CLIP | ALAMBRE - GANCHO | 2 | 2 | 2 |
| 130 | Y-12835 | SCREW - #6 X 1/4 | VIS - #6 X 1/4 | TORNILLO - #6 X 1/4 | • | 2 | 2 |
| 131 | S21125 | SCREW - #8 X 3/8 | VIS - #8 X 3/8 | TORNILLO - #8 X 3/8 | 16 | 16 | 16 |
| 132 | S21124 | SCREW - #8 X 1/2 | VIS - #8 X 1/2 | TORNILLO - #8 X 1/2 | 15 | 15 | 15 |
| 133 | Y-12646 | SCREW - SHOULDER #8 X 1/2 | VIS - SHOULDER #8 X 1/2 | TORNILLO - DE HOMBRO #8 X 1/2 | 10 | 12 | 12 |
| 134 | Y-29304 | SCREW - #10-24 X 3/8 | VIS - #10-24 X 3/8 | TORNILLO - #10-24 X 3/8 | 16 | 16 | 16 |
| 135 | S35094 | SCREW - #10-24 X 5/8 | VIS - #10-24 X 5/8 | TORNILLO - #10-24 X 5/8 | 1 | 1 | 1 |
| 136 | Y-29310 | SCREW - #10-24 X 3/4 | VIS - #10-24 X 3/4 | TORNILLO - #10-24 X 3/4 | 6 | 6 | 6 |
| 137 | Y-12855 | SCREW - 1/4-20 X 3/8 | VIS - 1/4-20 X 3/8 | TORNILLO - 1/4-20 X 3/8 | 28 | 28 | 28 |
| 138 | Y-12865 | SCREW - 1/4-20 X 1/2 | VIS - 1/4-20 X 1/2 | TORNILLO - 1/4-20 X 1/2 | 2 | 2 | 2 |
| 139 | Y-11546 | SCREW - SHOULDER 1/4-20 X 5/8 | VIS - SHOULDER - 1/4-20 X 5/8 | TORNILLO - DE HOMBRO 1/4-20 X 5/8 | 4 | 4 | 4 |
| 140 | Y-12310 | SCREW - 1/4-20 X 3/4 | VIS - 1/4-20 X 3/4 | TORNILLO - 1/4-20 X 3/4 | 2 | 2 | 2 |
| 142 | Y-11562 | SCREW - 1/4-20 X 2 1/2 | SCREW - 1/4-20 X 2 1/2 | TORNILLO - 1/4-20 X 2 1/2 | 16 | 16 | 16 |
| 150 | Y-29307 | NUT - #10-24 | ÉCROU - #10-24 | TUERCA - #10-24 | 2 | 2 | 2 |
| 151 | Y-11793 | NUT - 1/4-20 | ÉCROU - 1/4-20 | TUERCA - #1/4-20 | 2 | 2 | 2 |
| 170 | 10240-23 | HINGE PIN | GOUPILLE DE CHARNIÈRE | CLAVIJA DE BISAGRA | 2 | 2 | 2 |
| 171 | S21233 | CLIP | CLIP | GANCHO | 8 | 8 | 8 |
| 172 | Y-29310 | BURNER SCREW | VIS DU BRÛLEUR | TORNILLO DEL QUEMADOR | 4 | 4 | 4 |
| 173 | 10240-13 | WHEEL PIN | PIN ESSIEU | CLAVIJA DE LA RUEDA | 2 | 2 | 2 |
| 180 | Y-11231 | LID BUMPER - ROUND | BUTOIR DU COUVERCLE - CERCLE | TOPE DE LA TAPA - REDONDO | 4 | 4 | 4 |
| 182 | 20005-000 | MATCH LIGHT CHAIN | MATCH CHAINE LEGERE | CADENA PARA ENCENDEDOR | 1 | 1 | 1 |

