

# OMC

ASSEMBLY MANUAL & PARTS LIST • MANUEL DE MONTAGE & LISTE DE PIÈCES • MANUAL DE ARMADO Y LISTA DE PARTES



GRILLPRO  
242154  
242114



GRILLPRO  
242164



GRILLPRO  
242964



broil-mate™  
742154



broil-mate™  
742164



broil-mate™  
742964

RETAIN FOR FUTURE REFERENCE • VEUILLEZ CONSERVER POUR REFERENCE ULTERIEURE • CONSERVER PARA FUTURAS CONSULTAS

*Onward*  
MANUFACTURING COMPANY LIMITED  
Since 1906  
585 Kumpf Drive  
WATERLOO, ONTARIO, CANADA

1-800-265-2150  
[info@omcbbq.com](mailto:info@omcbbq.com)

11412291 Rev F. 2021



HARDWARE INCLUDED / MATERIAL INCLUS / EQUIPOS INCLUIDO



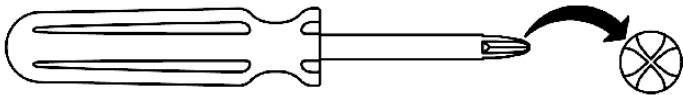
S35094		X12	S21125		X12
10240-13					X2
Y-11562					X16
S21233		X2	63599-73		X4
SP56-45		X1	SP910-31		X2



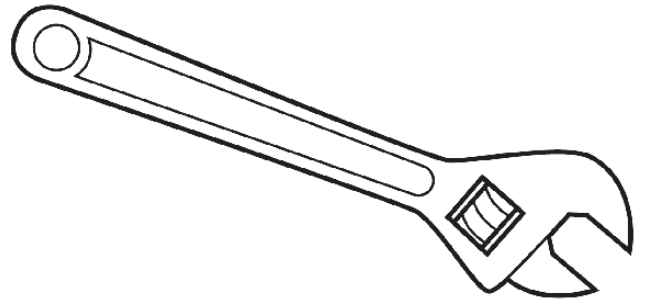
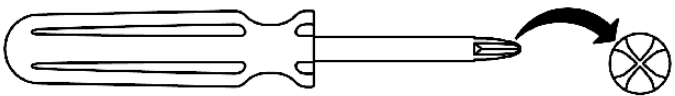
TOOLS REQUIRED / OUTILS NECESSAIRES / HERRAMIENTAS NECESARIAS



#3 PHILLIPS

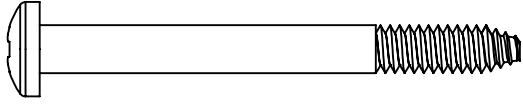


#2 PHILLIPS

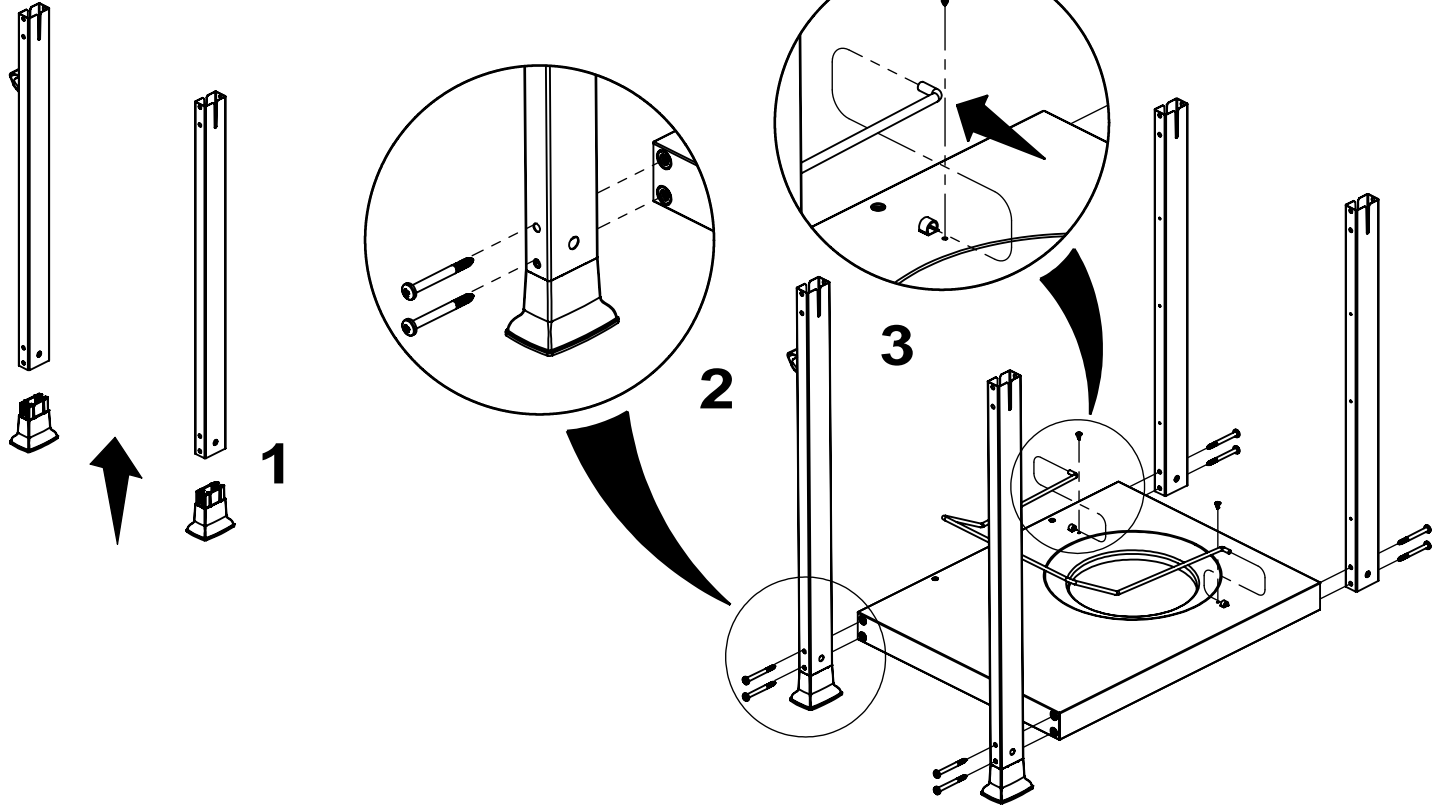
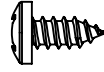


**1**

**(8)**

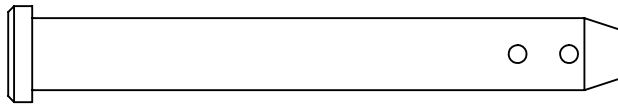


**(2)**

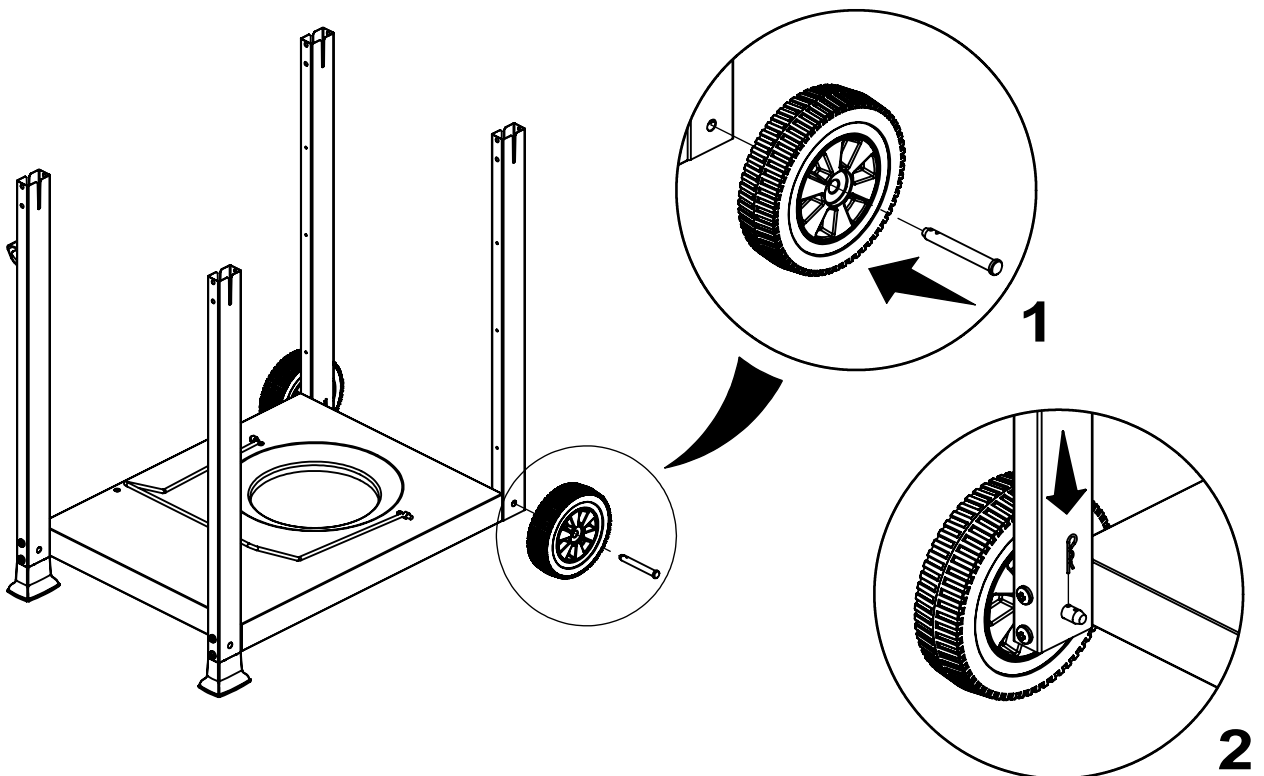
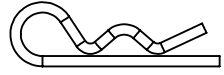


**2**

**(2)**



**(2)**

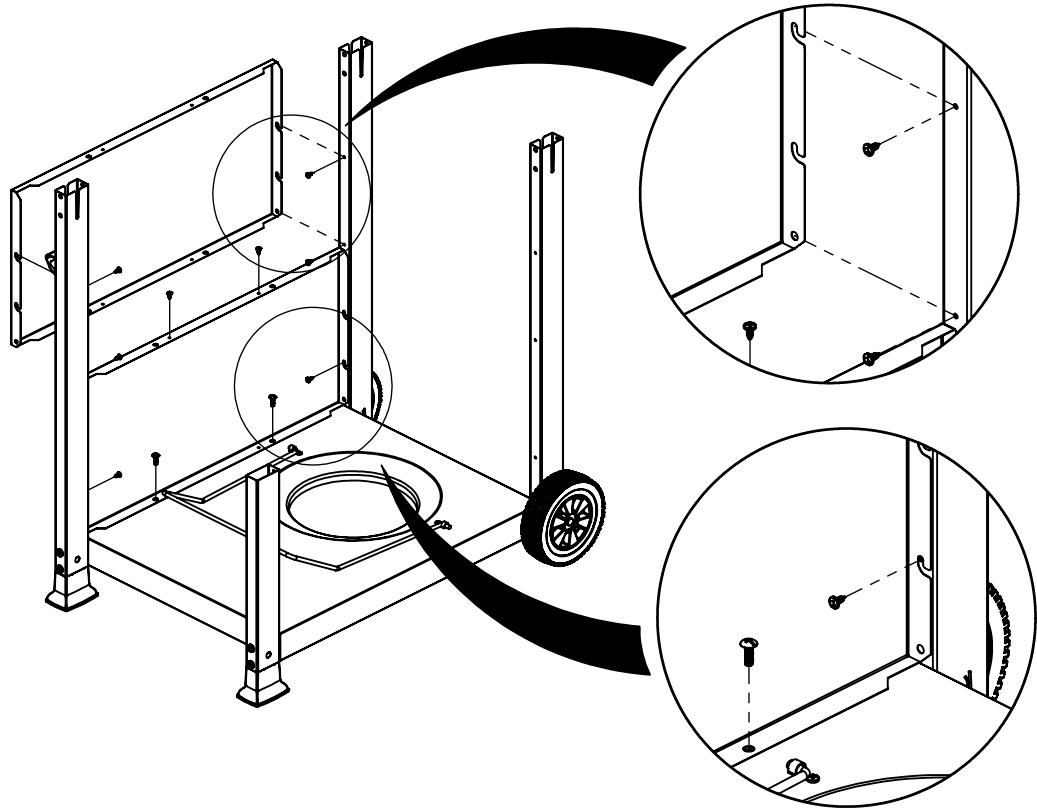
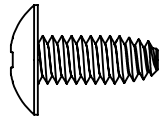


**3**

(8)

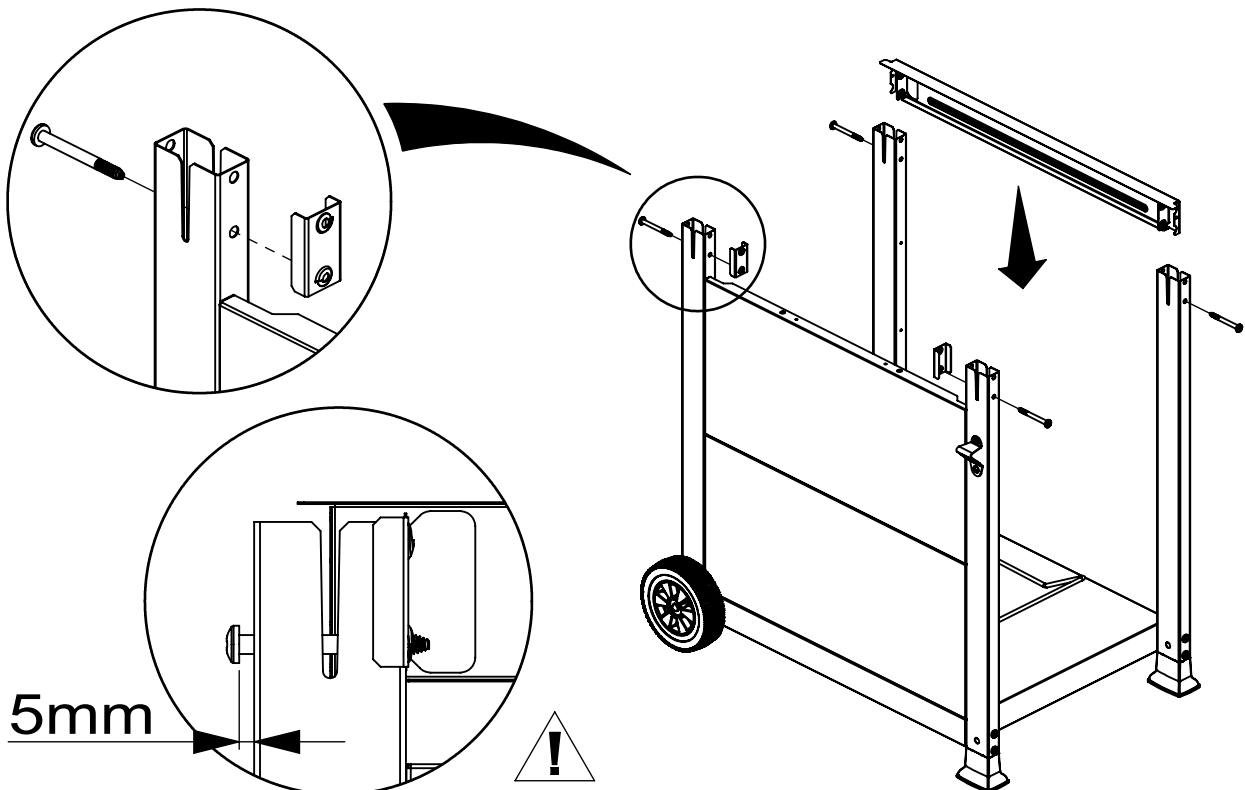
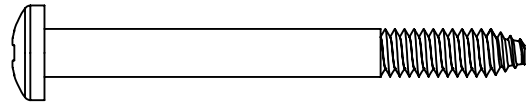


(2)



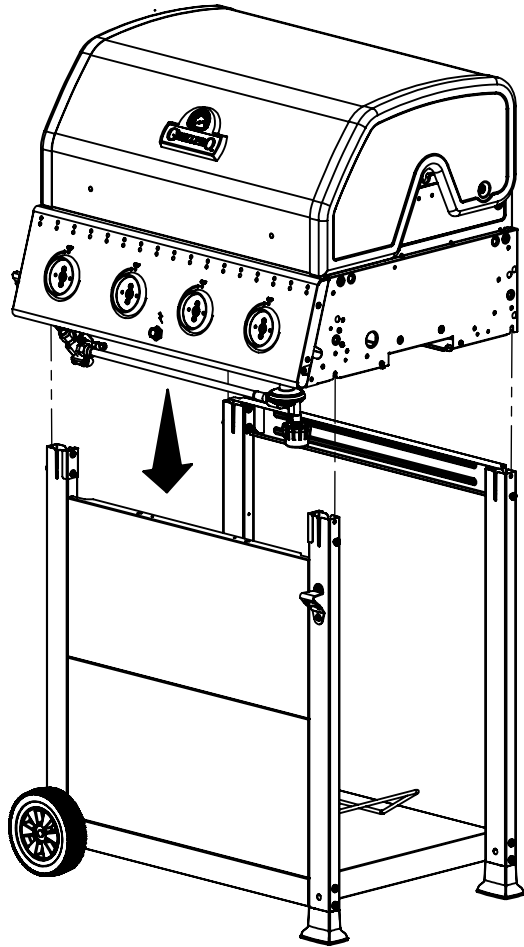
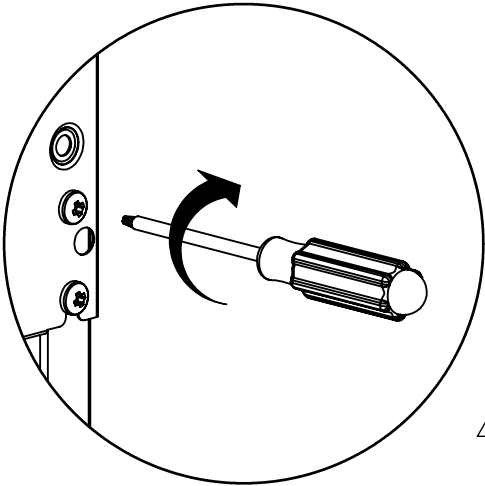
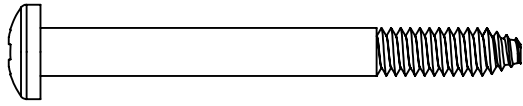
**4**

(4)

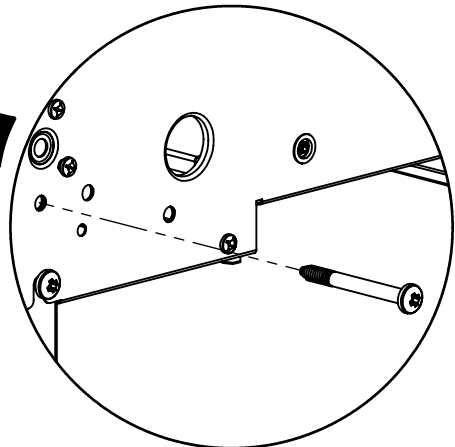
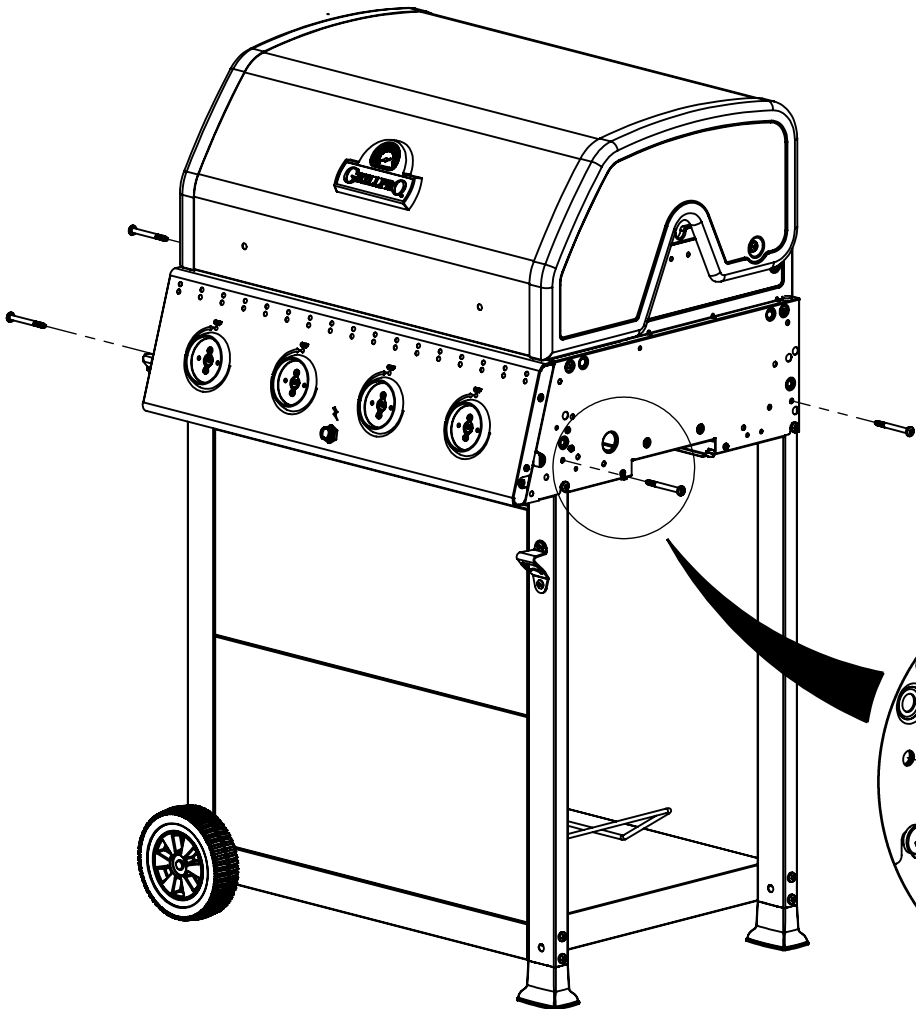


**5**

**(4)**



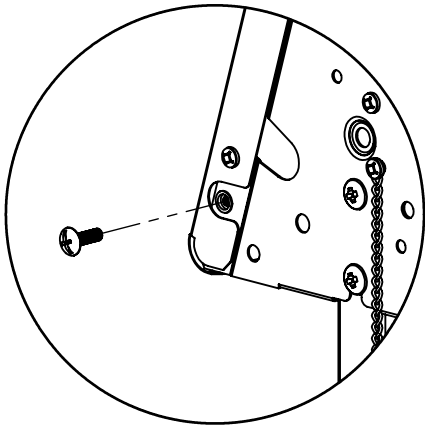
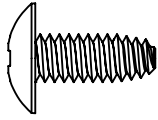
**1**



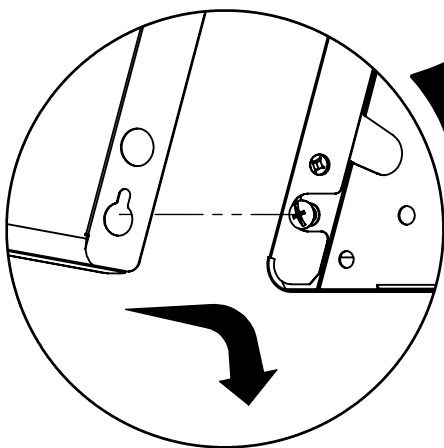
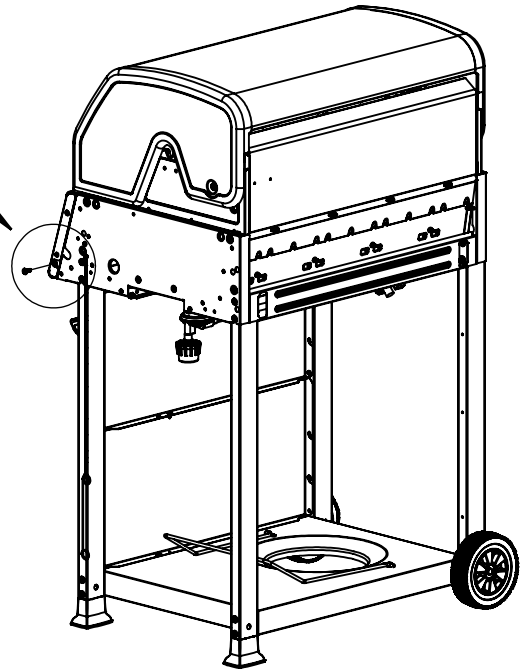
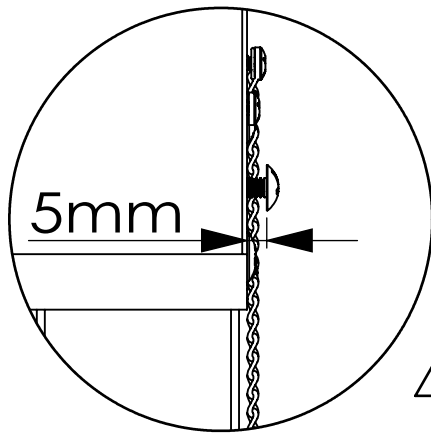
**2**

6

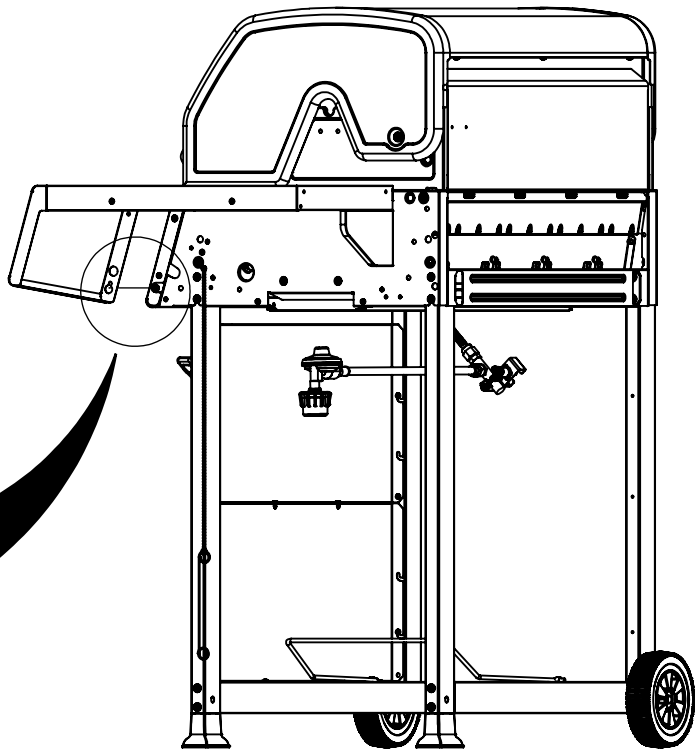
(1)



1

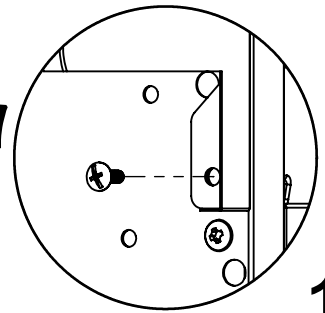
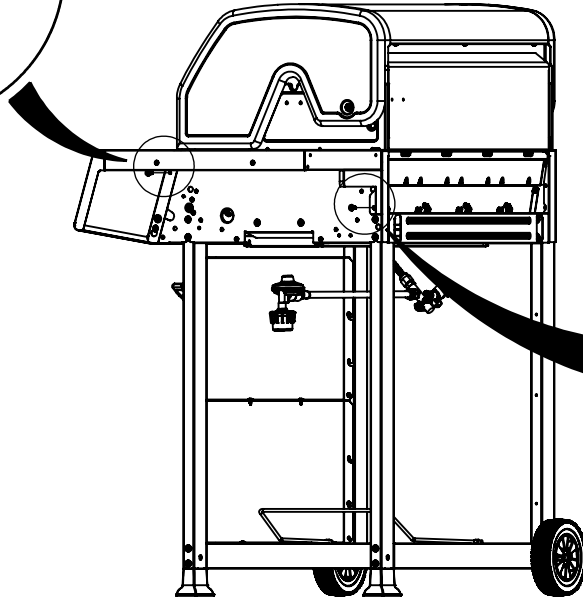
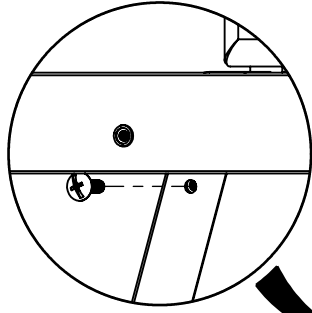
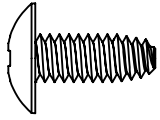


2

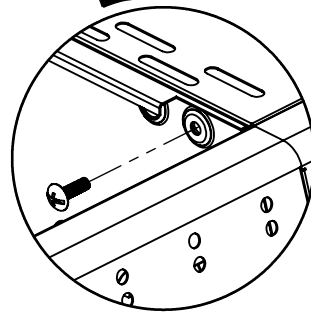
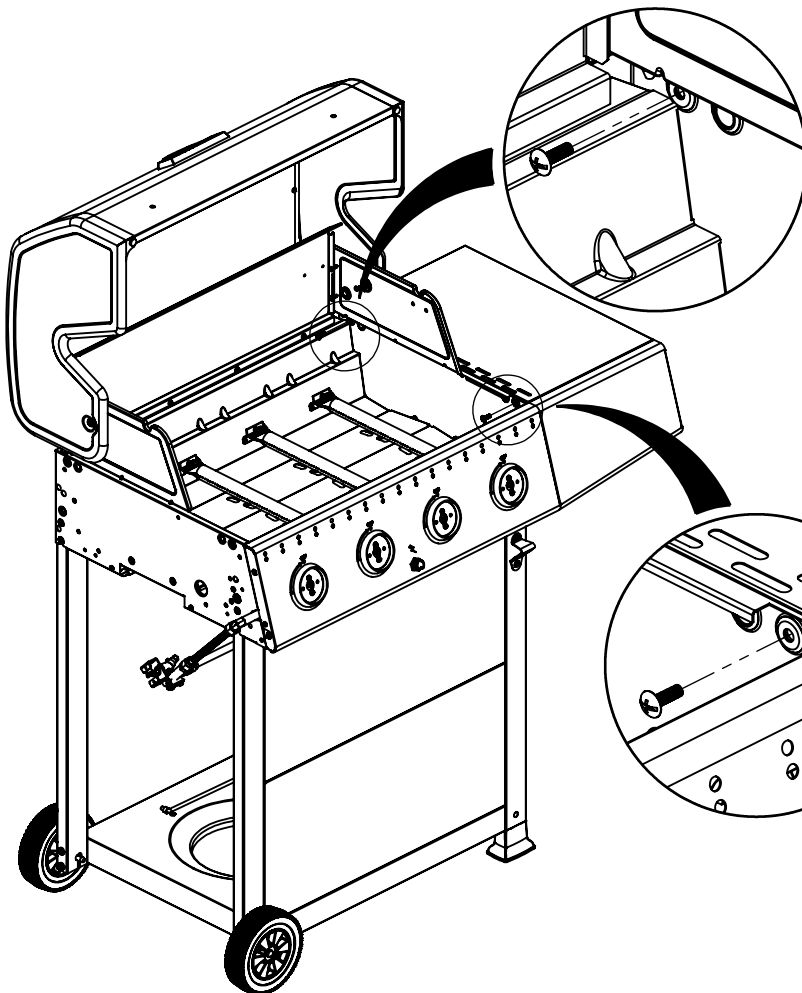


7

(4)



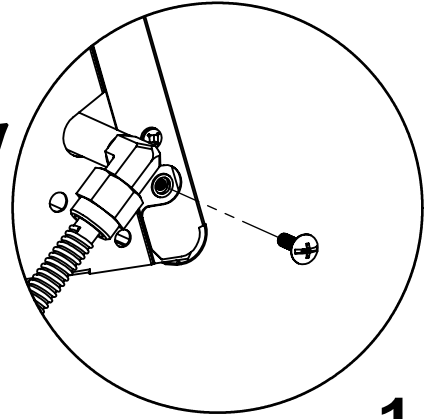
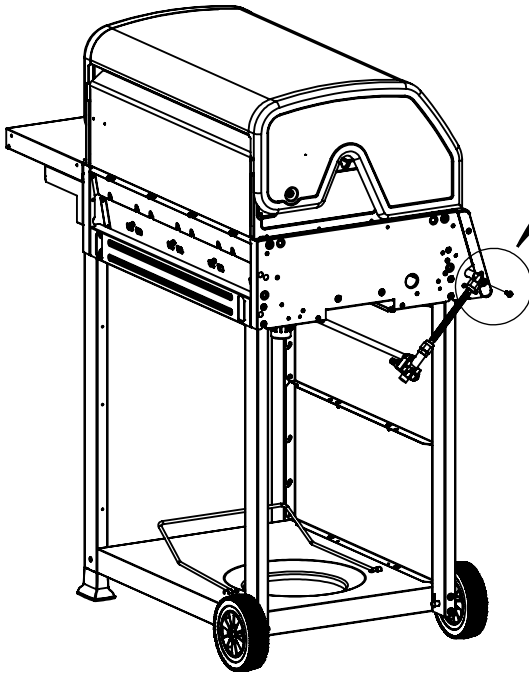
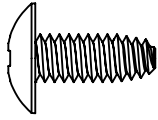
1



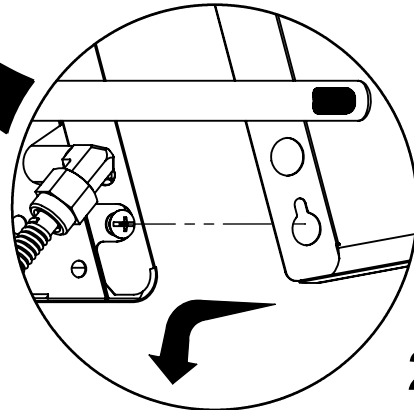
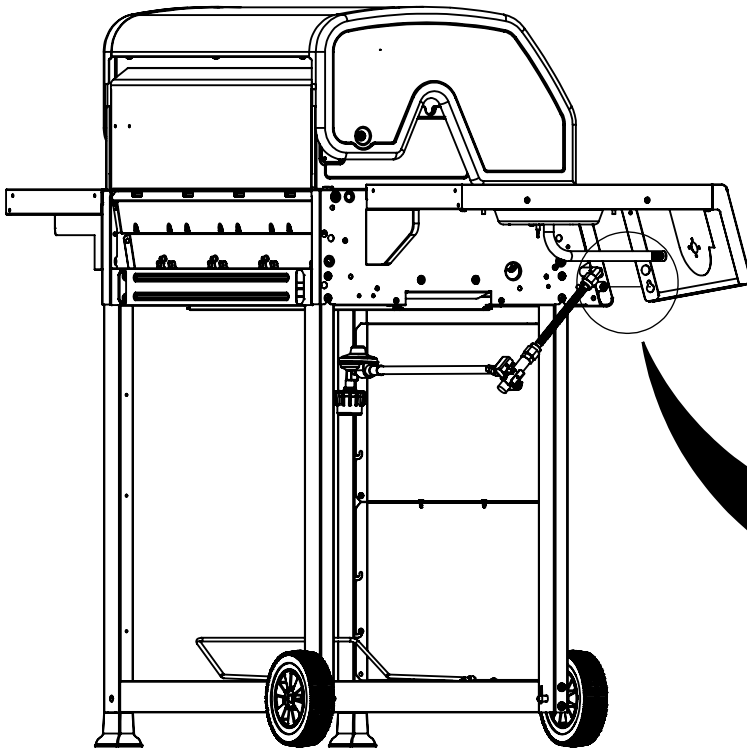
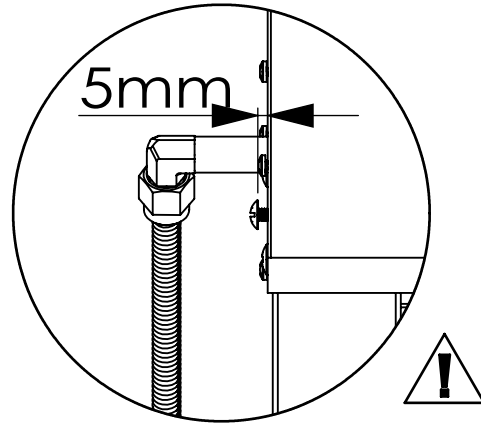
2

8

(1)



1

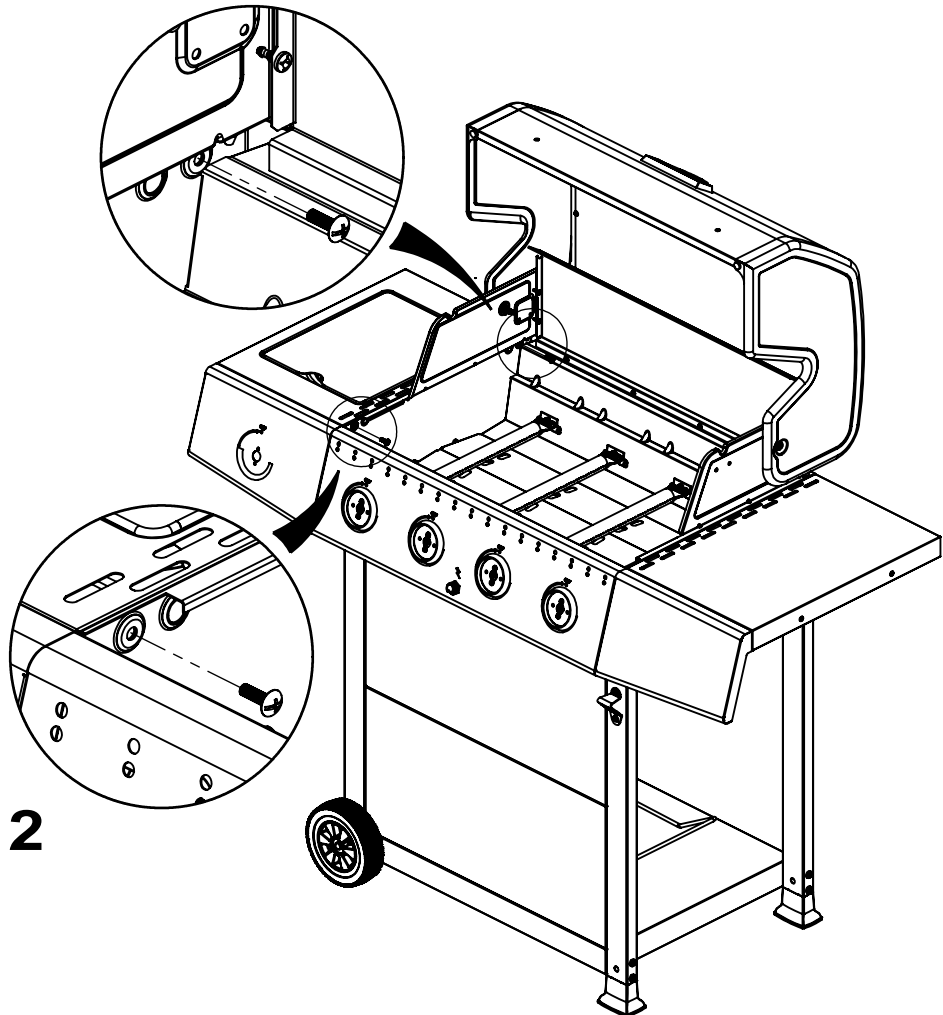
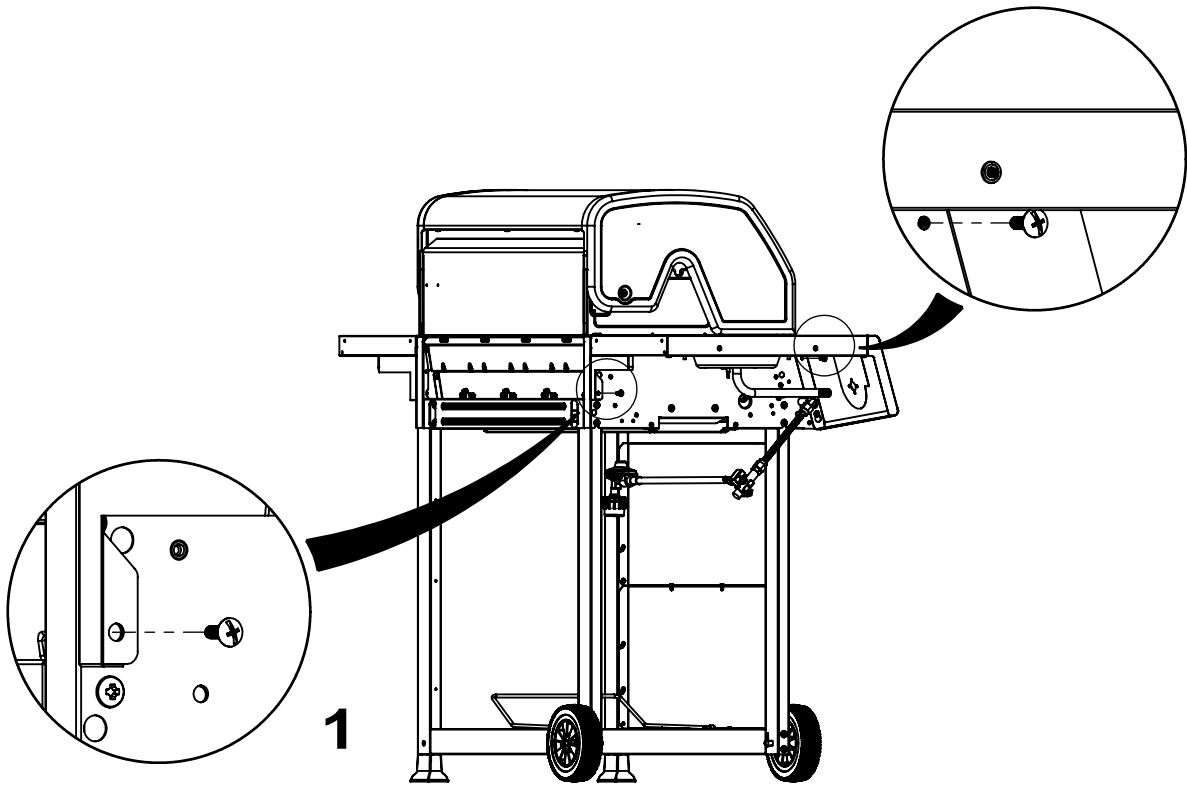
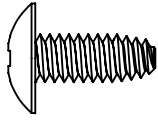


2

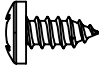



9

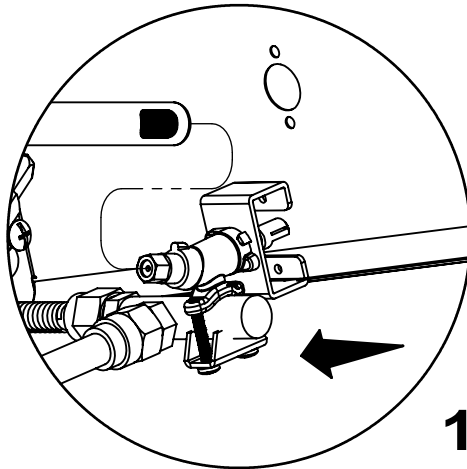
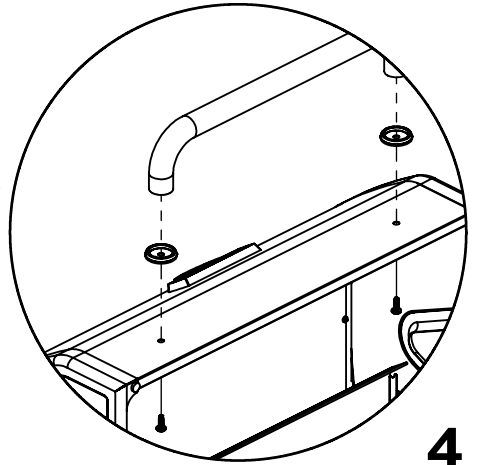
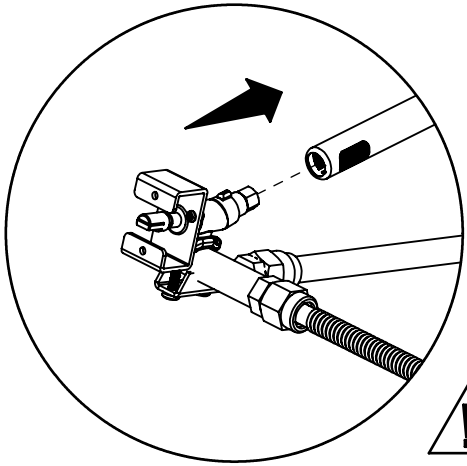
(4)



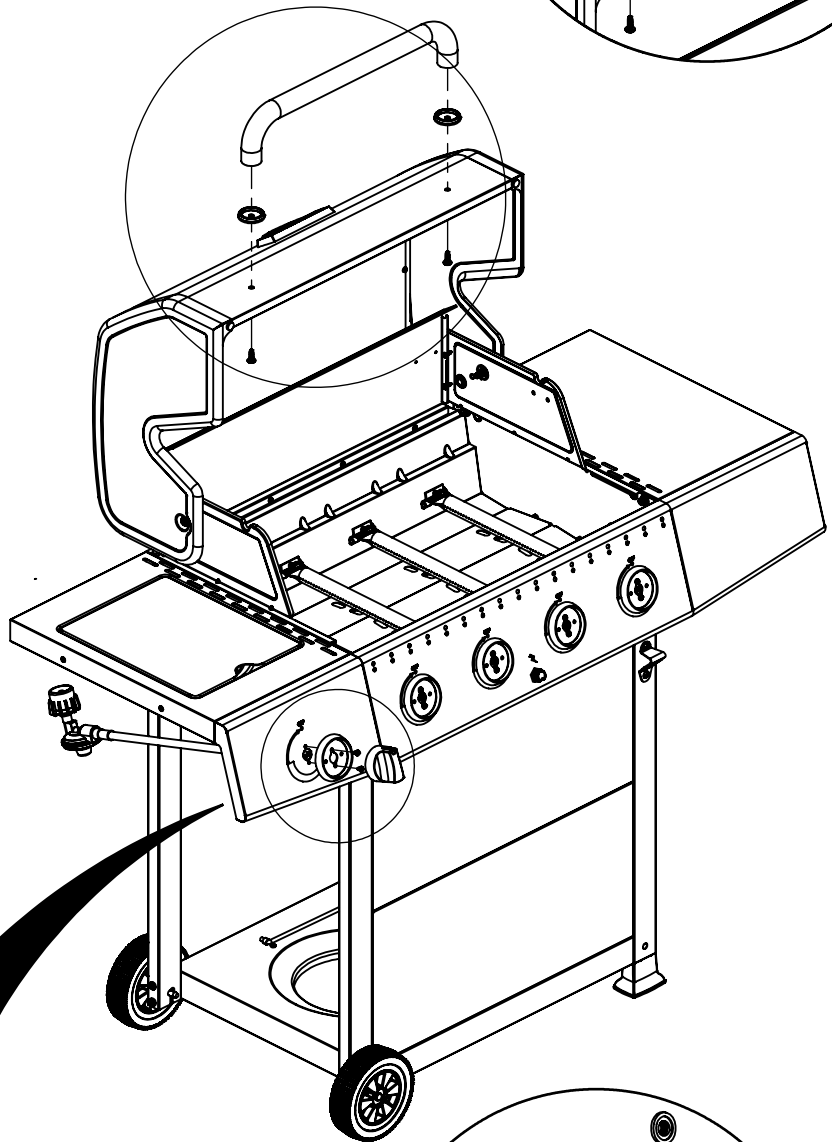
# 10

(2) 

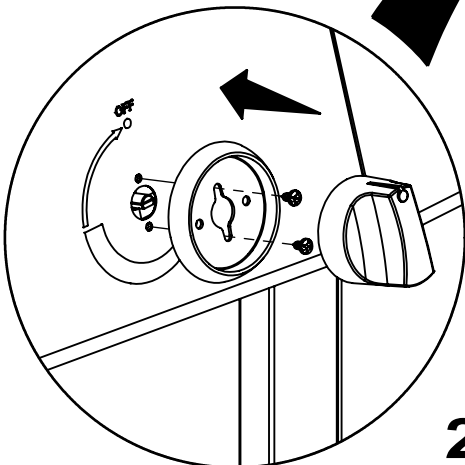
(2) 



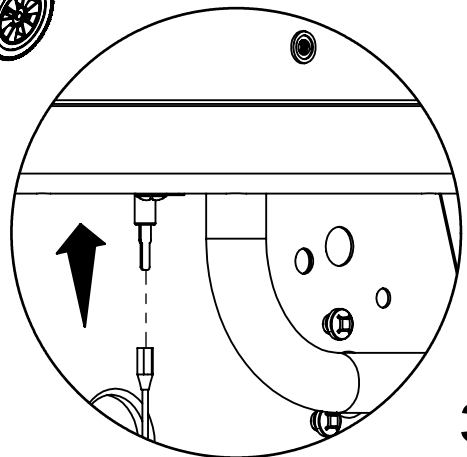
1



4



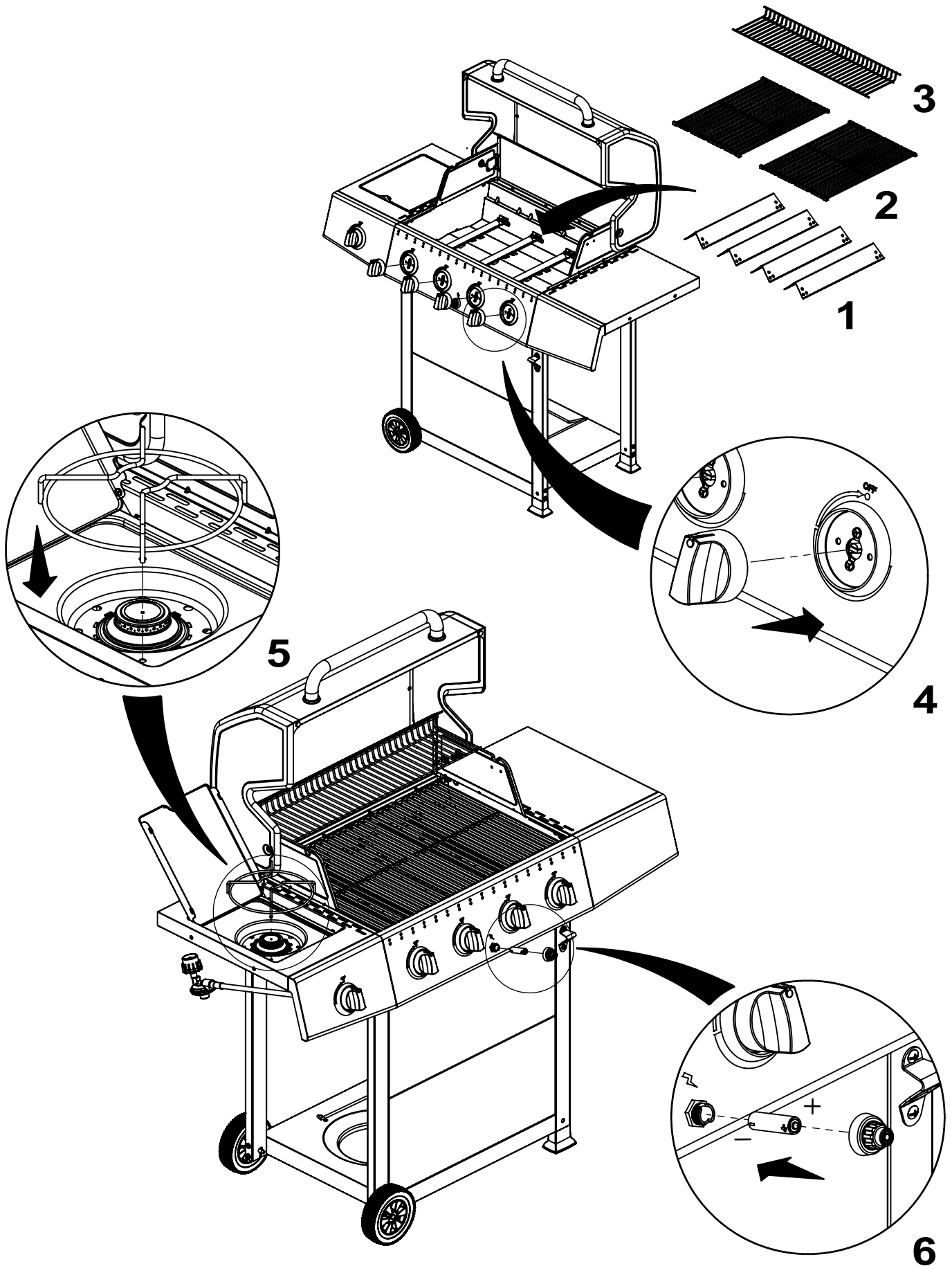
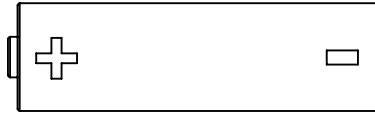
2



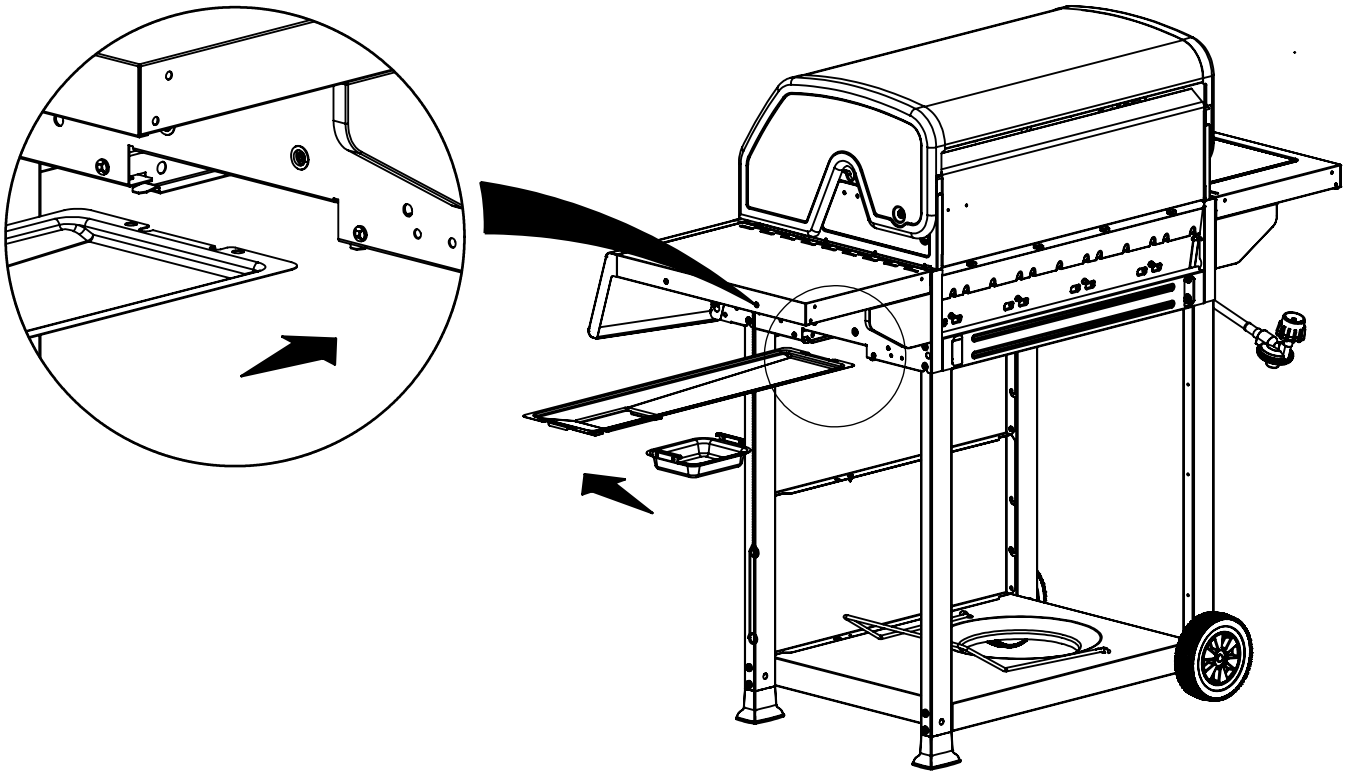
3

# 11

(1)



12



13

(4)

