

This Owner's Manual is provided and hosted by [Appliance Factory Parts](#).



# HUNTINGTON 6821-87 Owner's Manual

[Shop genuine replacement parts for HUNTINGTON  
6821-87](#)



[Find Your HUNTINGTON Grill Parts - Select From 154 Models](#)

----- Manual continues below part list -----

## Available Replacement Parts for HUNTINGTON 6821-87

<a href="#">18013</a>	LARGE PROBE HEAT INDICATOR
<a href="#">S21124</a>	SCREW PHCP #8 X 12 +
<a href="#">10390-E10</a>	BURNER SIDE 10BTU W/ELEC #8 +
<a href="#">Y-12220</a>	S/B BUSHING SB 1.375 16 HEY
<a href="#">S15263</a>	ROTISSERIE BUSHING
<a href="#">S15299</a>	WASHER COUNTERWEIGHT ROTIS
<a href="#">S15270</a>	ROTISSERIE COUNTERWEIGHT ASSY
<a href="#">S15271</a>	ROTISSERIE HANDLE +
<a href="#">10342-246</a>	IGNITOR ELECTRONIC TRIPLE +
<a href="#">Y-12223</a>	MAGNET SNAP IN - DOOR
<a href="#">Y-12222</a>	MAGNET - DOOR
<a href="#">10342-E13</a>	ELECTRODE W/WIRE
<a href="#">10342-T18</a>	WIRE ELECTRODE S/B 600 +
<a href="#">S15245</a>	ROTIS MOTOR-220V AC +
<a href="#">10240-20</a>	DOOR PIN TOP
<a href="#">10240-19</a>	DOOR PIN BOTTOM
<a href="#">27055-901</a>	GREASE TRAY PORC FORMED 440 +
<a href="#">52045-92</a>	FIREBOX 440 HEAT SHIELD REAR
<a href="#">52315-151</a>	FIREBOX 440 HOOD PANEL PORC
<a href="#">59005-034</a>	CONTROL ASSY 4V S/B LP
<a href="#">59005-037</a>	CONTROL ASSY 4V S/B NG
<a href="#">18431</a>	OEM FLAV R WAVE - BARON
<a href="#">52007-181</a>	COOKING GRID 550 PORC BLK +
<a href="#">S15256</a>	SPIT ROD ROTISSERIE 31 INCH
<a href="#">52305-121</a>	FIREBOX 440 OUTER REAR
<a href="#">20005-000</a>	HARDWARE BAG STICK & CHAIN SS
<a href="#">10693-165</a>	ORIFICE SPUD 1.63MM 5/16-32
<a href="#">10892-23</a>	CASTER RUBBER 3 INCH W/PLATE
<a href="#">52015-903</a>	COLLECTOR BOX ASSEMBLY 440
<a href="#">51175-111A</a>	DOOR ASSEMBLY 440 RHS BLACK

<a href="#">51175-131A</a>	DOOR ASSEMBLY 440 LHS BLACK
<a href="#">51175-114A</a>	DOOR ASSEMBLY 440 RHS SS
<a href="#">51175-134A</a>	DOOR ASSEMBLY 440 LHS SS
<a href="#">10693-113</a>	ORIFICE SPUD 1.13MM 5/16 32
<a href="#">51039-951</a>	CASTER BRACKET BLACK 330/440/550
<a href="#">52002-284</a>	COOKING GRID SS, Each
<a href="#">52065-91</a>	FIREBOX 440 HEAT SHIELD FRONT
<a href="#">53184-118</a>	SHELF END CAP RHS 330/440
<a href="#">53184-138</a>	SHELF END CAP LHS 330/440
<a href="#">53404-114</a>	SHELF FRONT FACIA RHS 330/440
<a href="#">57039-901</a>	ROTISSERIE BRACKET BLK
<a href="#">59005-014</a>	CONTROL ASSY 4V LP
<a href="#">53009-951</a>	SIDE BURNER TRIVET BLK
<a href="#">S15508</a>	REAR BURNER ELECTRODE WIRE +
<a href="#">50502</a>	HEAVY DUTY MEAT FORKS
<a href="#">53104-111</a>	SHELF RHS BLK 330/440
<a href="#">59005-017</a>	CONTROL ASSY 4V NG
<a href="#">10081-69H</a>	NAMEPLATE HUNTINGTON LRG
<a href="#">10081-69S</a>	NAMEPLTE STERLING LRG CHRME SRFACE MOUNT
<a href="#">52924-144R</a>	BURNER - MAIN
<a href="#">10111-K45</a>	HOSE 3/8 INCH ASSEMBLY NG 10 FOOT +
<a href="#">10081-69BM</a>	NAMEPLATE BROILMATE
<a href="#">Y-11990</a>	NUT HEX BRASS 3/8 27 RB LINE
<a href="#">24009-936</a>	HANDLE RING
<a href="#">10342-247</a>	IGNITOR ELECTRONIC +
<a href="#">10472-K431</a>	CONTRL KNOB RESIN LRG BLCK W/SS BA STRIP
<a href="#">21071-13</a>	DOOR HANDLE 500 GPB
<a href="#">22001-168</a>	CONTROL KNOB BEZEL SML
<a href="#">22002-268</a>	CONTROL KNOB BEZEL LARGE
<a href="#">24005-12AB</a>	LID-HANDLE BENT,
<a href="#">52809-957</a>	MANIFOLD - REAR BURNER AB
<a href="#">52005-991</a>	WARMING RACK 440 PORC
<a href="#">21035-991</a>	GREASE RAIL 440/500 SABLE BLK

<a href="#">59005-074</a>	CONTROL ASSY 4V S/B R/B LP +
<a href="#">59005-077</a>	VALVE ASSY 440 S/B R/B NG
<a href="#">21009-951</a>	TANK COLLAR CLAMP 625/750 BLK PULL OUT
<a href="#">27905-354</a>	BURNER TUBE REAR 500 W/WINDSHIELD
<a href="#">51239-901</a>	TANK PREVENTION BRACKET 440 + BLK
<a href="#">51335-211</a>	TOP MAGNET BRACKET 440 BLACK
<a href="#">52009-901</a>	GREASE PAN - BLACK HIGH HEAT PAINT
<a href="#">57139-13</a>	BRACKET U-CHANNEL REAR 330/440/550
<a href="#">10111-15A</a>	HOSE ASSEMBLY SS
<a href="#">10114-16</a>	HOSE & REG ASSY 17 INCH LP +
<a href="#">52904-144NG</a>	BURNER ASSY MAIN SINGLE TUBE + NG
<a href="#">27249-904</a>	GREASE SHIELD MODULAR, 6.5 x 6



ASSEMBLY MANUAL & PARTS LIST • MANUEL DE MONTAGE & LISTE DE PIÈCES • MANUAL DE ARMADO Y LISTA DE PARTES



**STERLING** 6  
5821-84/87

HUNTINGTON™  
6821-84/87

broil-mate™  
7821-84/87



**STERLING** 6  
5825-84/87

HUNTINGTON™  
6825-84/87

broil-mate™  
7825-84/87



**STERLING** 6  
5821-64/67

HUNTINGTON™  
6821-64/67

broil-mate™  
7821-64/67



**STERLING** 6  
5825-64/67

HUNTINGTON™  
6825-24/27  
6825-64/67

broil-mate™  
7825-64/67



**STERLING** 6  
5821-54/57

HUNTINGTON™  
6821-54/57

broil-mate™  
7821-54/57



**STERLING** 6  
5825-54/57

RETAIN FOR FUTURE REFERENCE • VEUILLEZ CONSERVER POUR REFERENCE ULTERIEURE • CONSERVER PARA FUTURAS CONSULTAS



SINCE 1906

MANUFACTURING COMPANY

1000 EAST MARKET STREET  
HUNTINGTON, INDIANA, 46750, USA

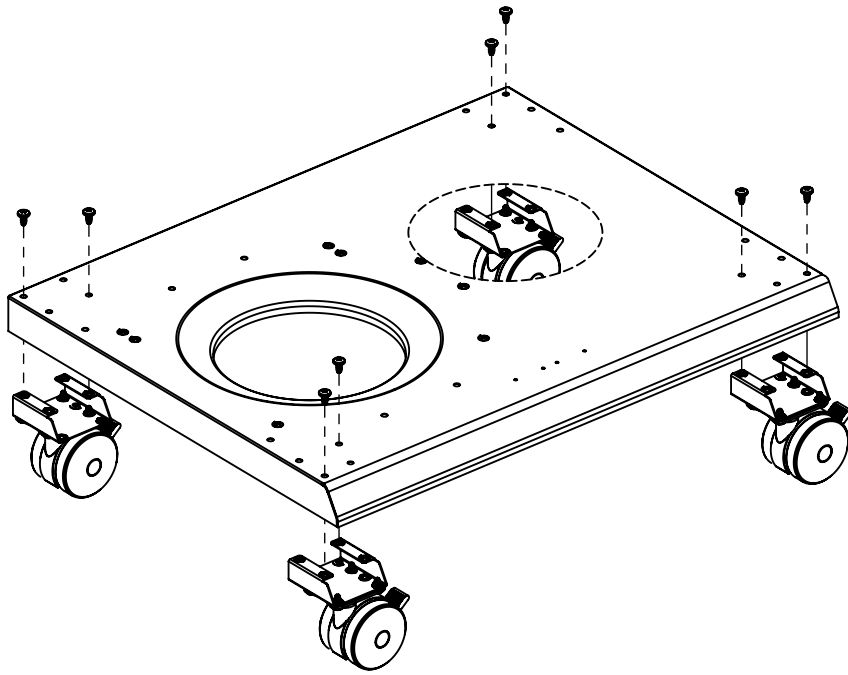
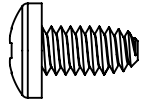
1-800-265-2150

[info@omcbbq.com](mailto:info@omcbbq.com)

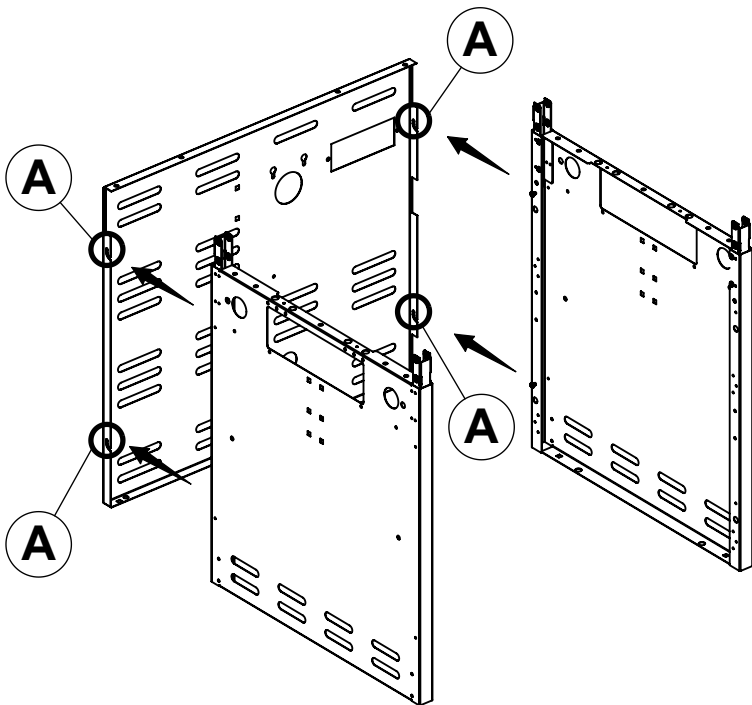
50084-E47 Rev K 08/16

1

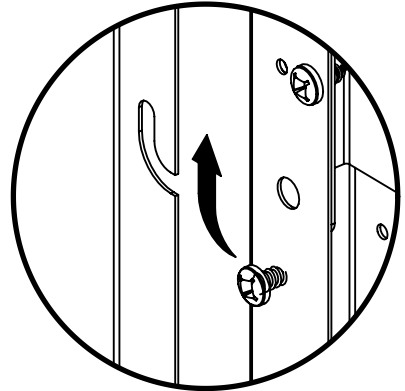
(8)



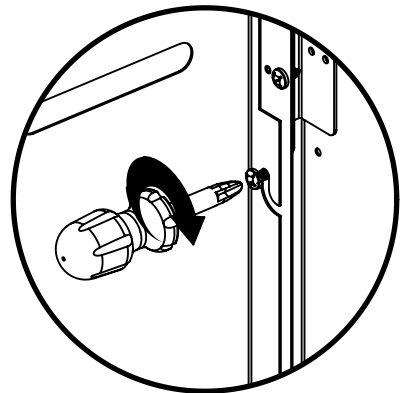
2



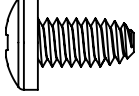
1

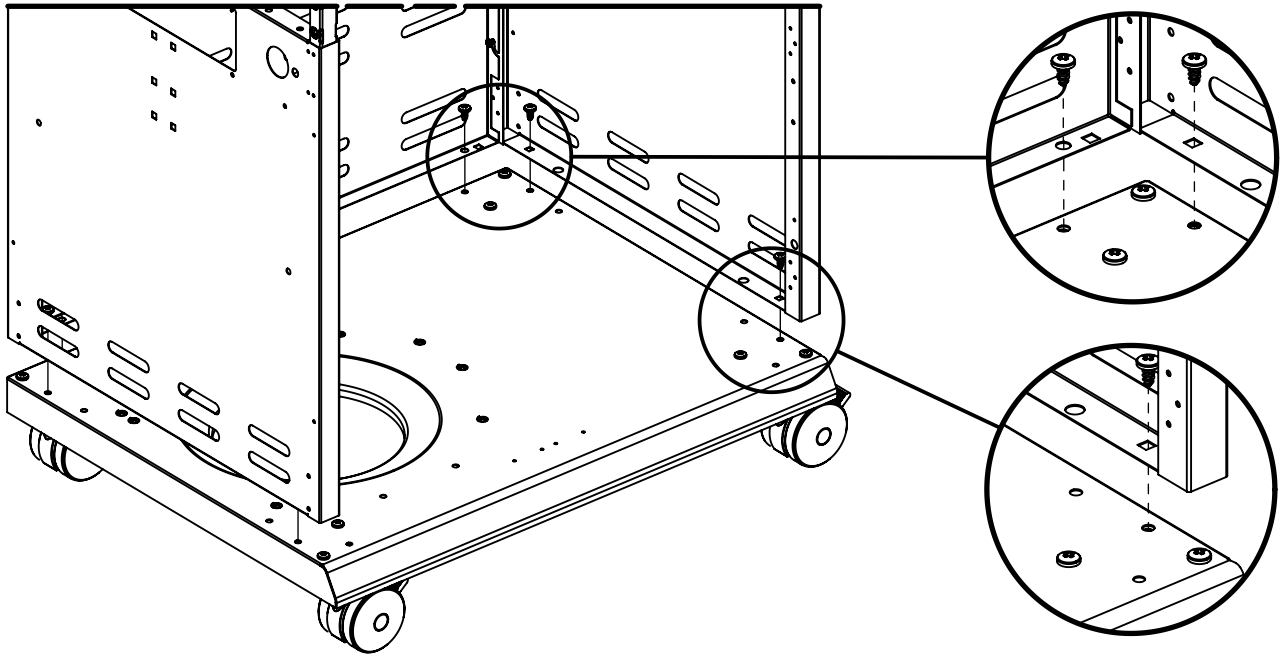


2

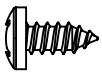


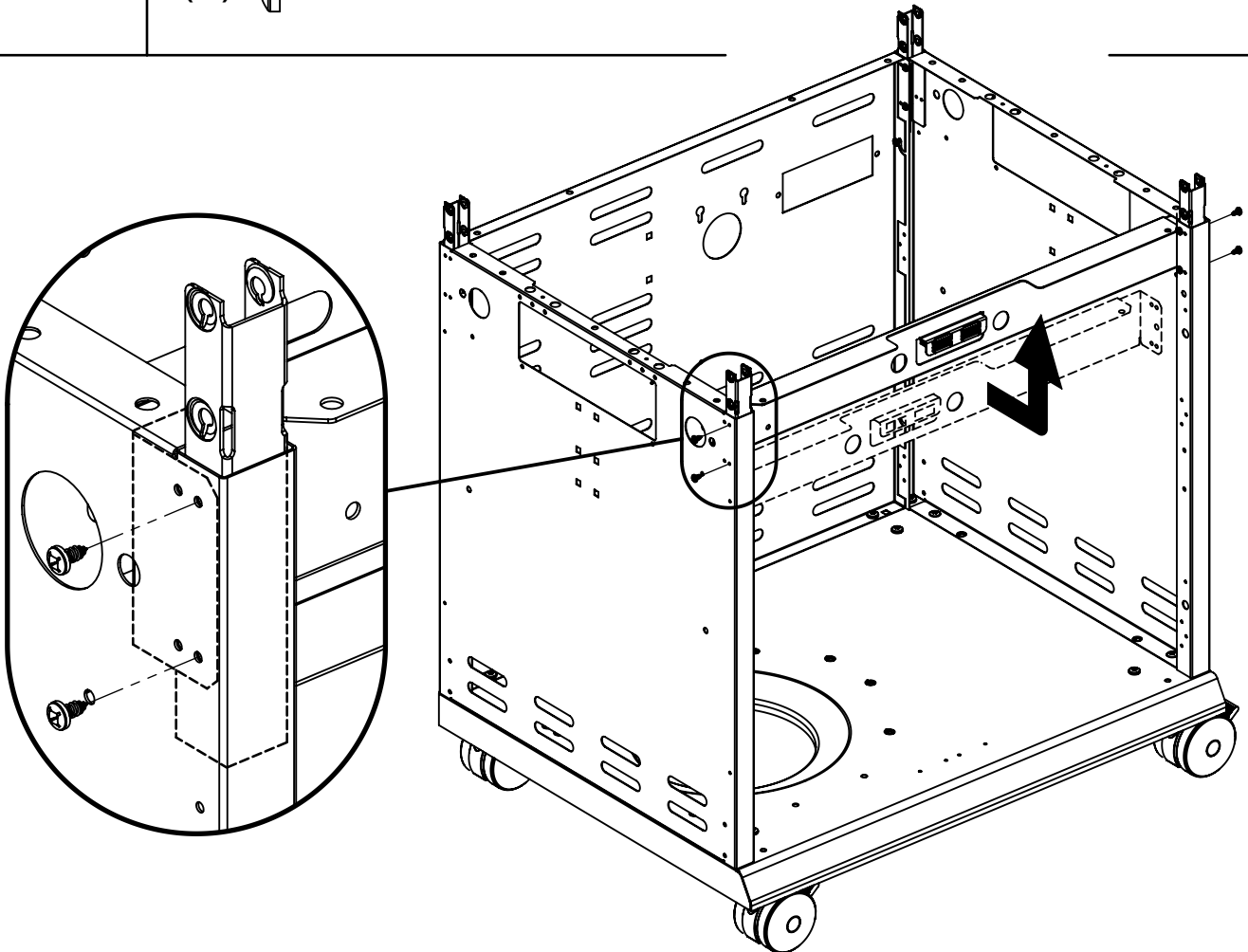
**3**

(6) 




**4**

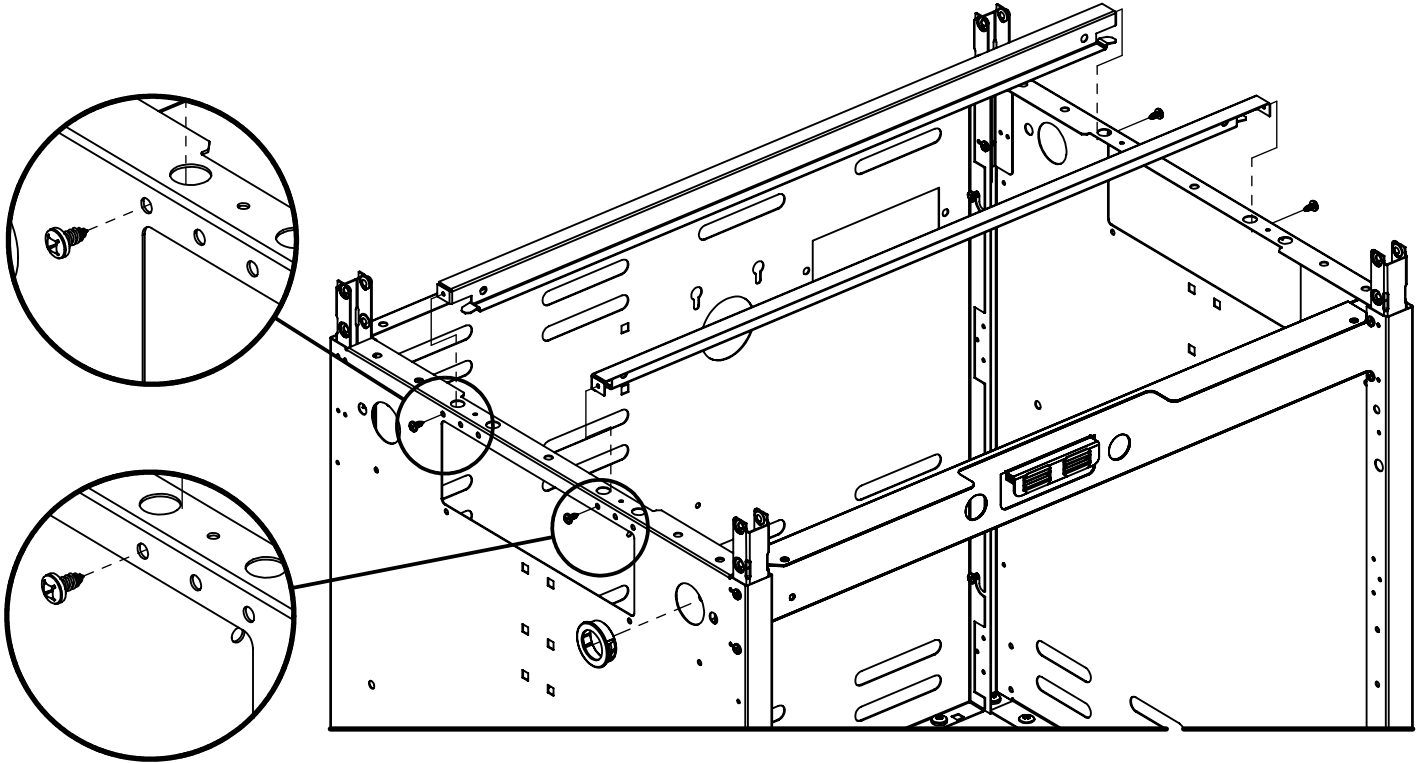
(4) 



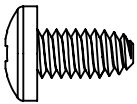
**5**

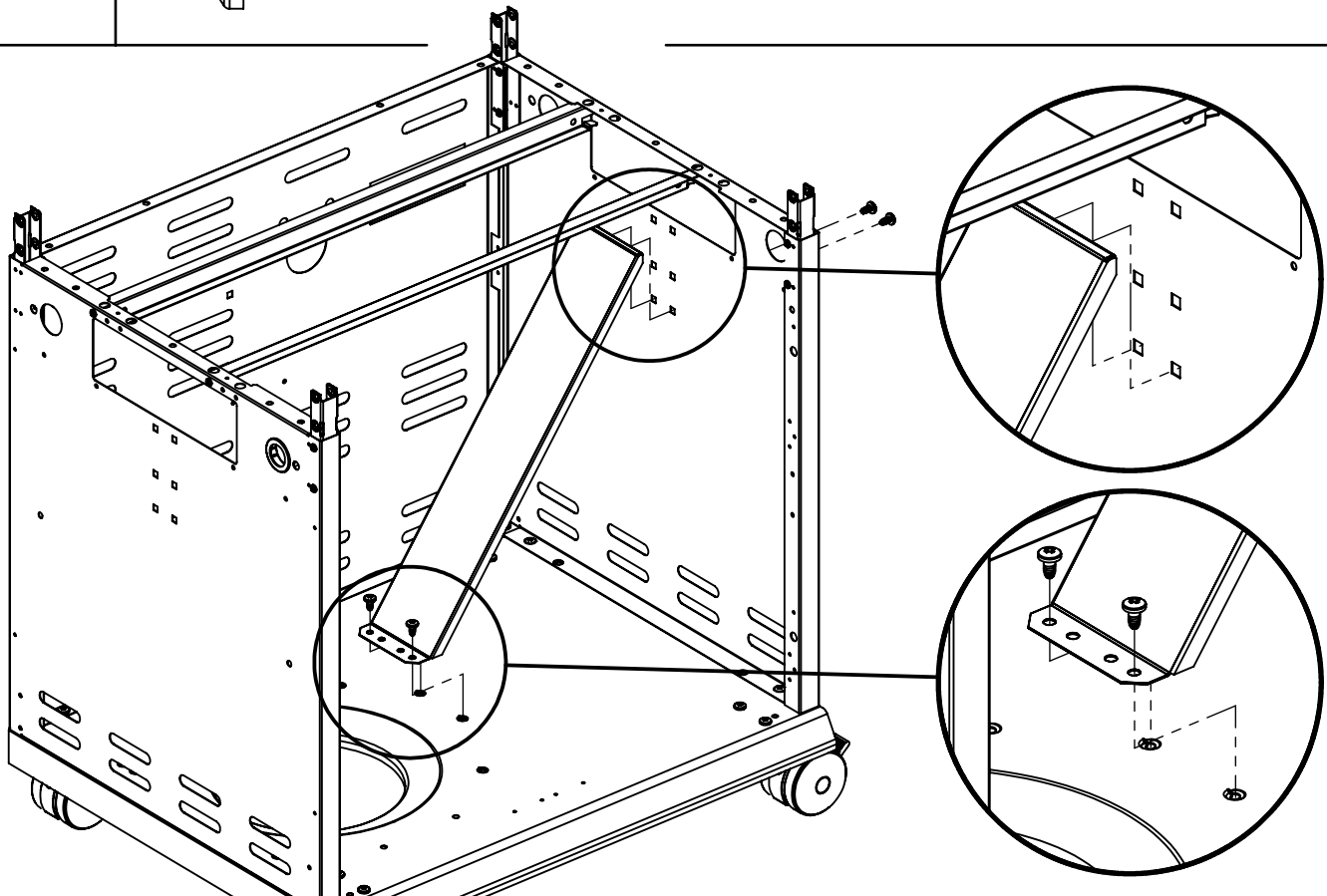
(4) 

(1) 

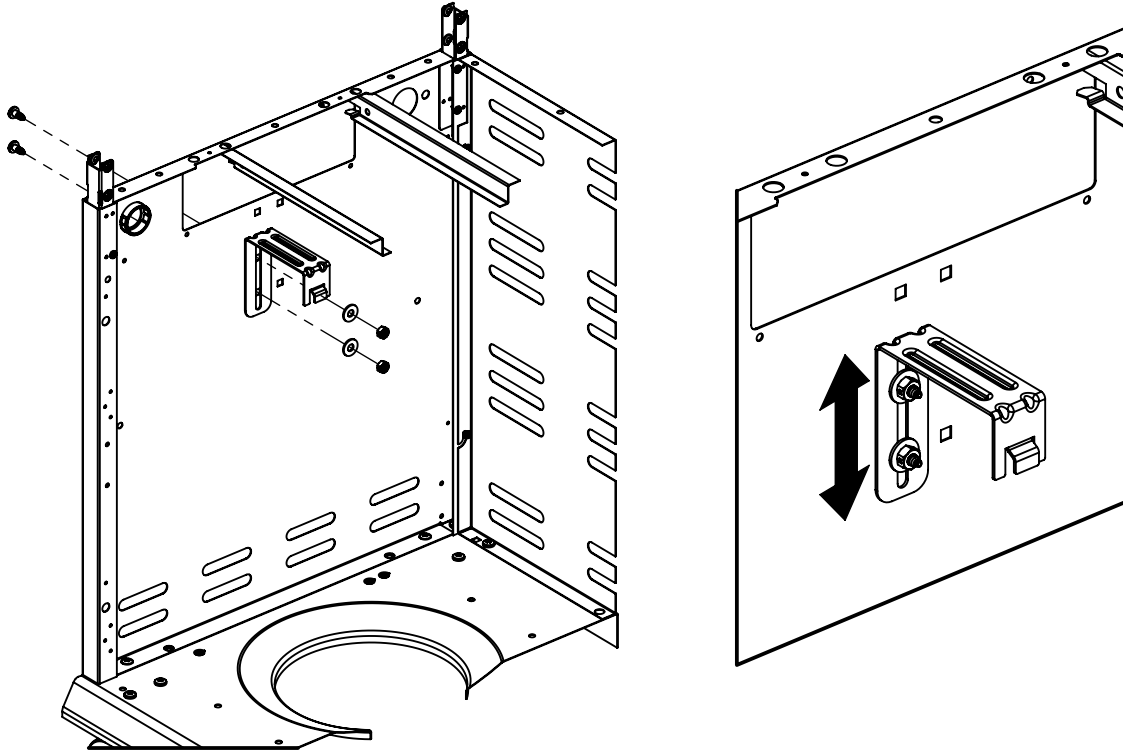


**6**

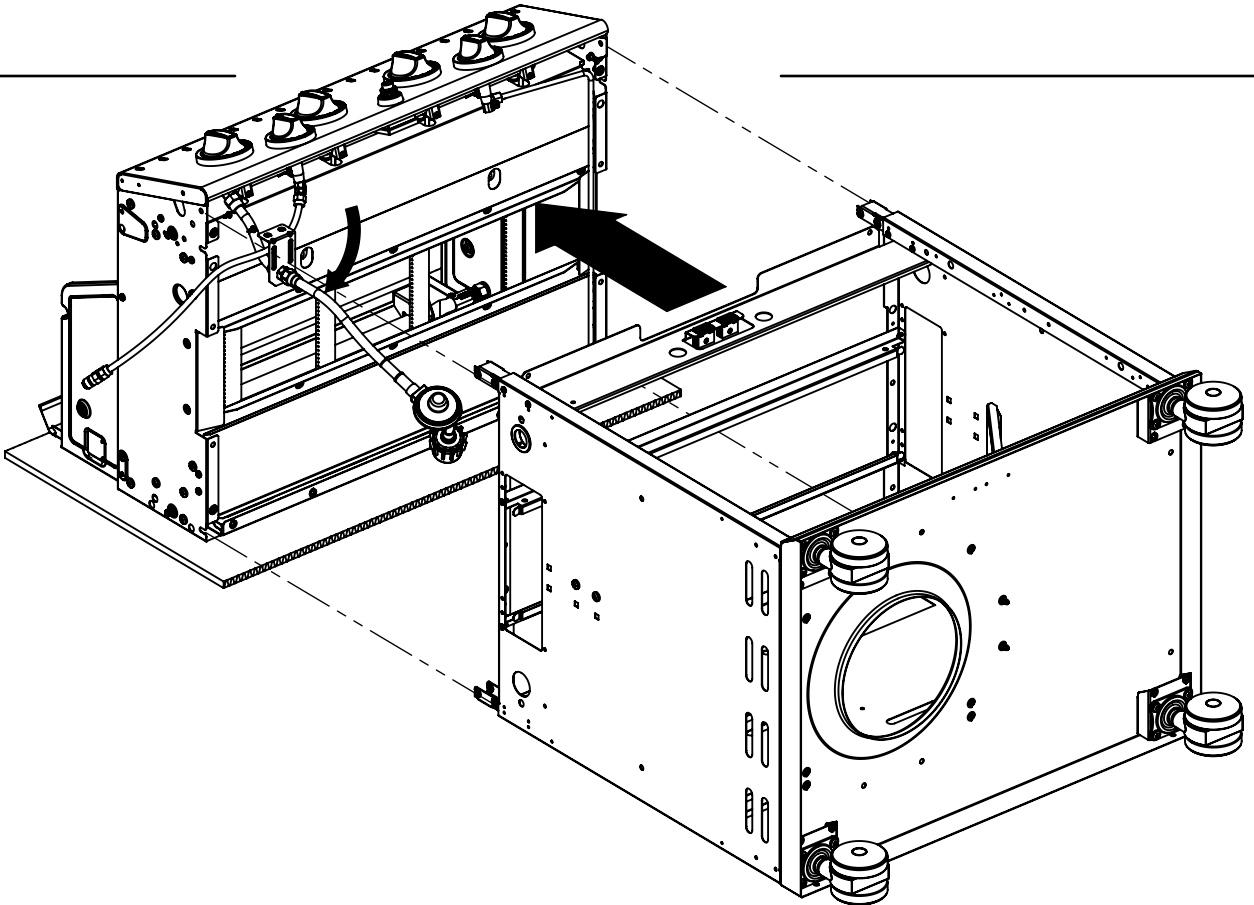
(4) 



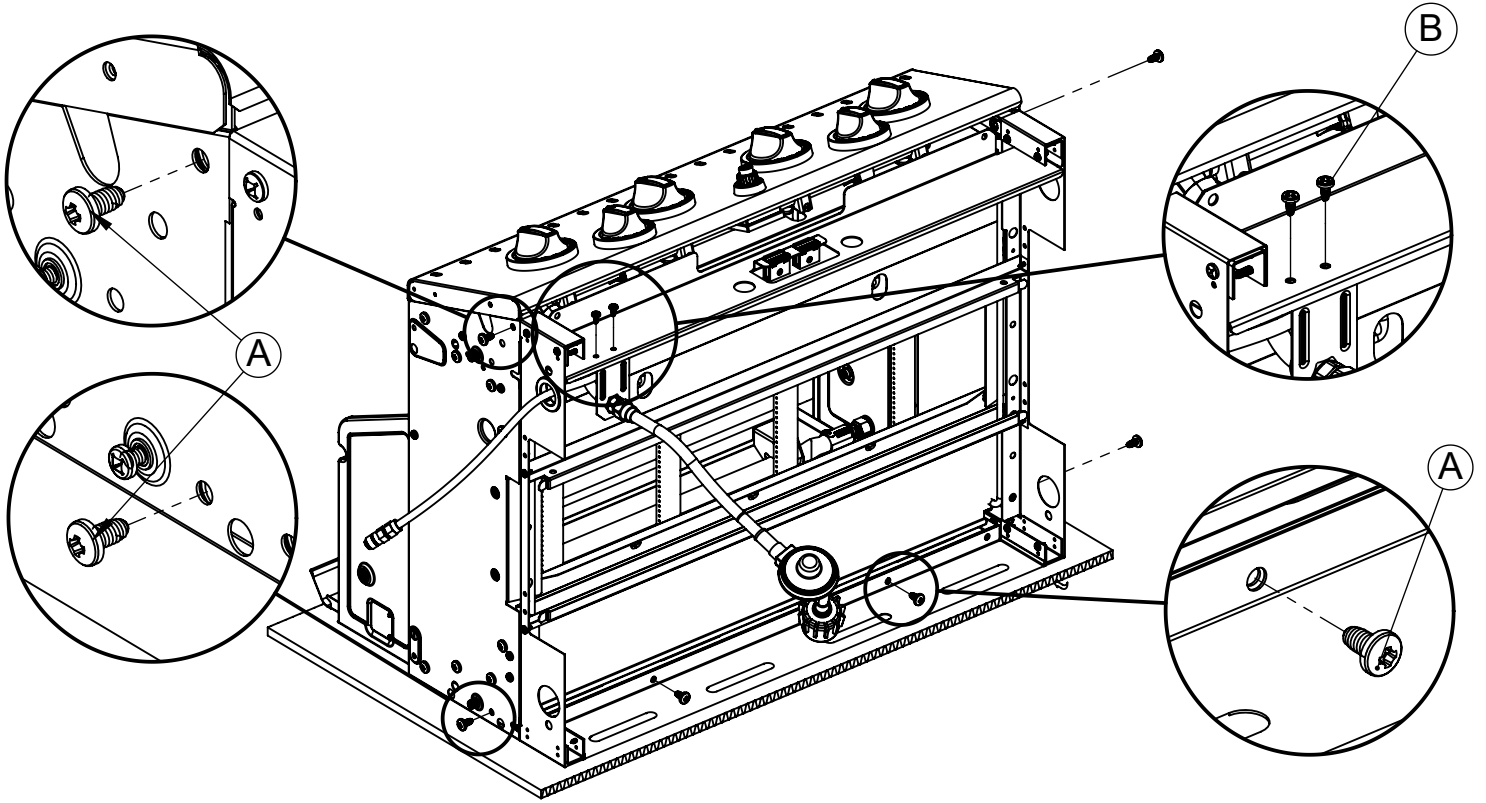
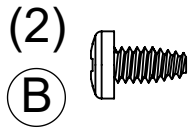
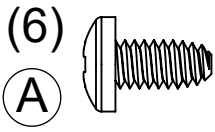
7



8



9

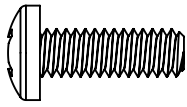


10

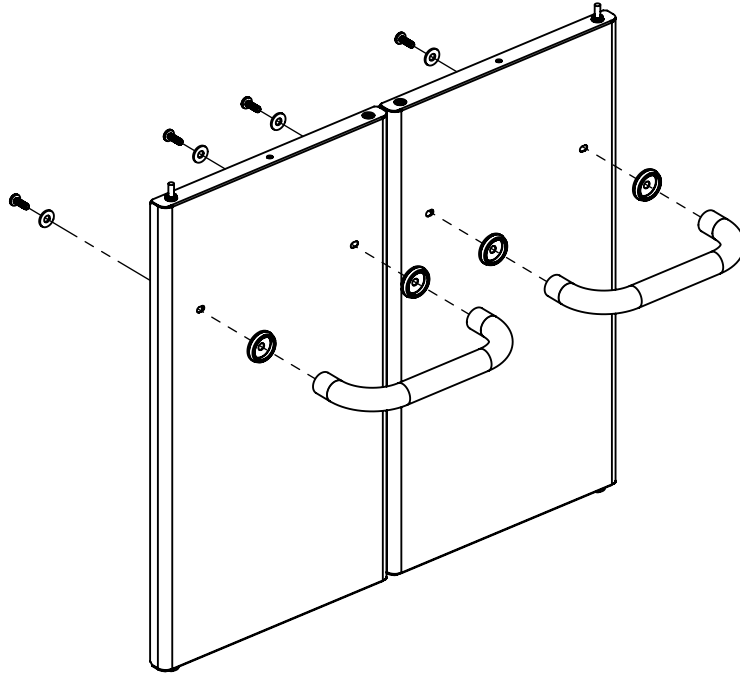
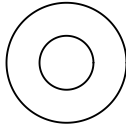


11

(4)

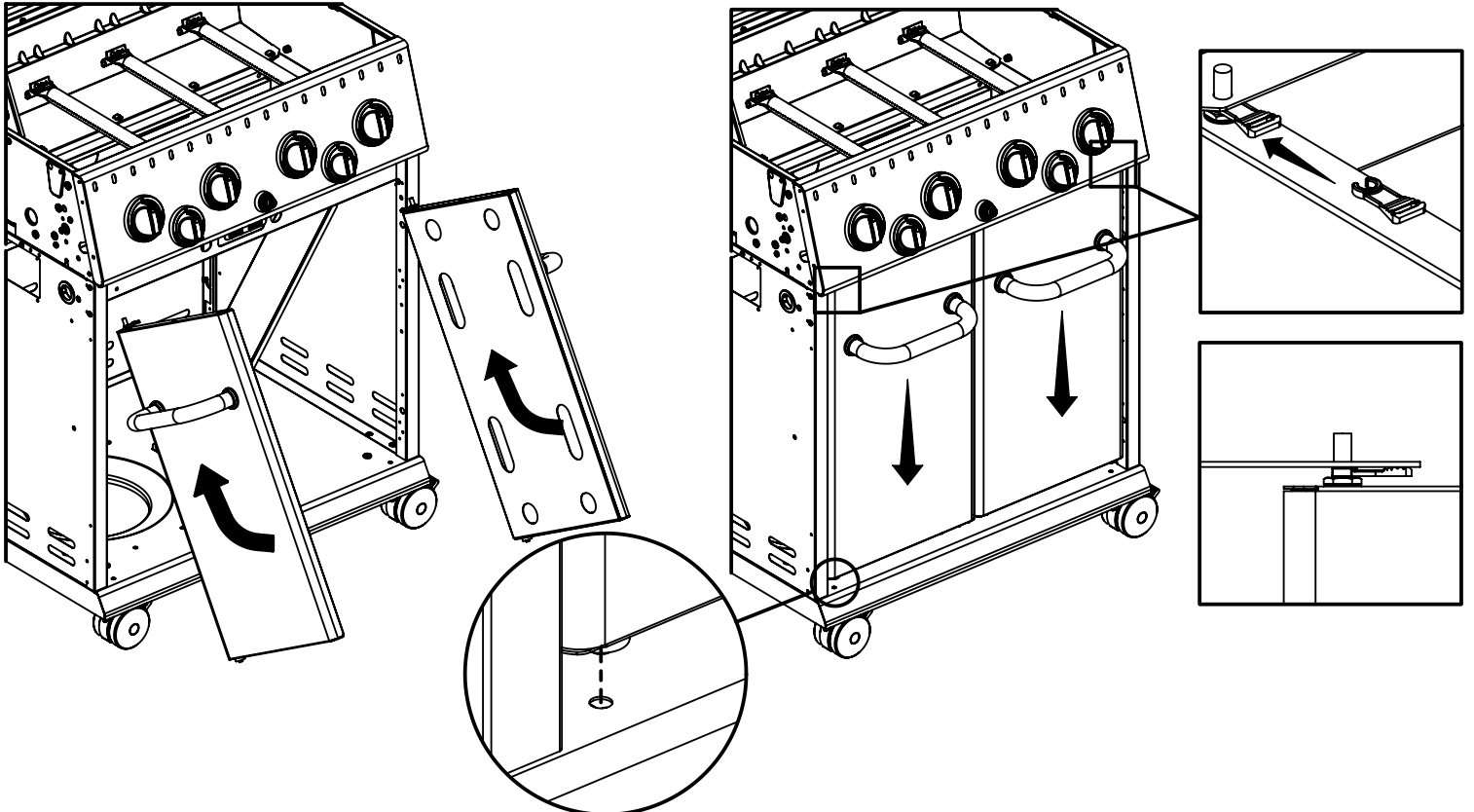
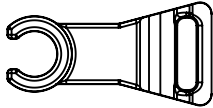


(4)

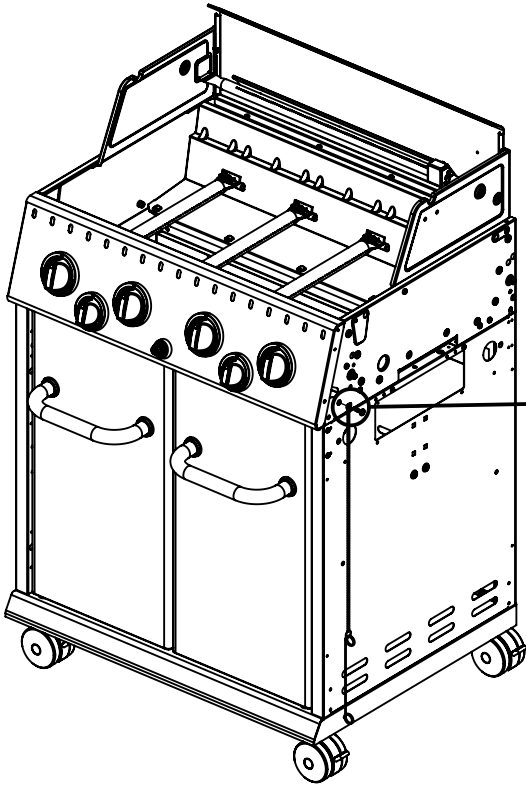
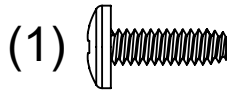


12

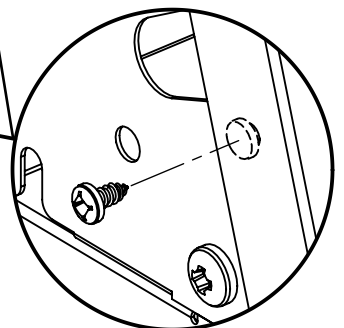
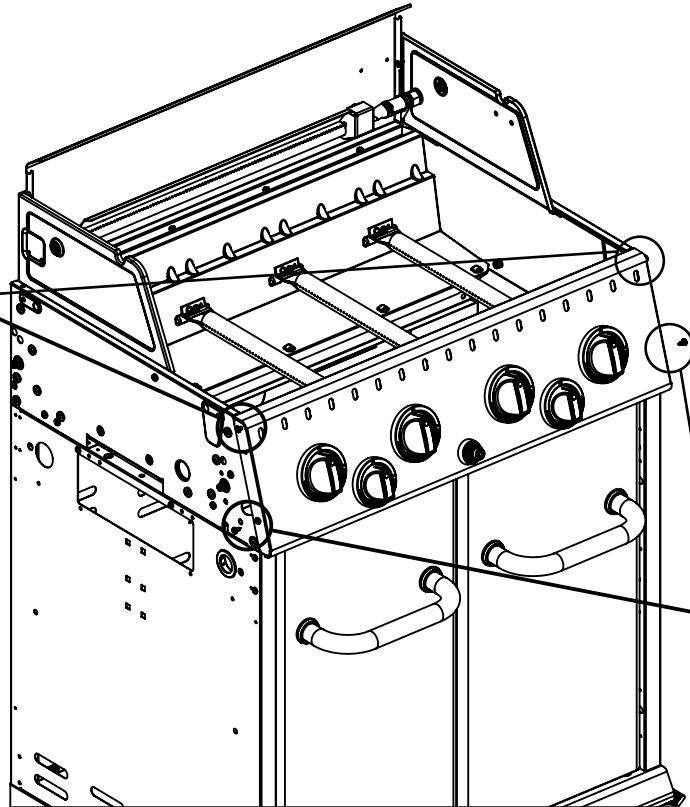
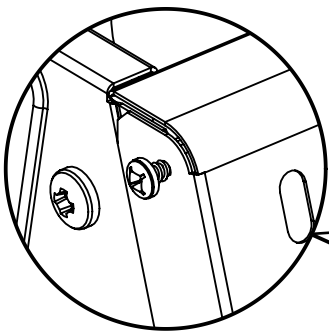
(2)



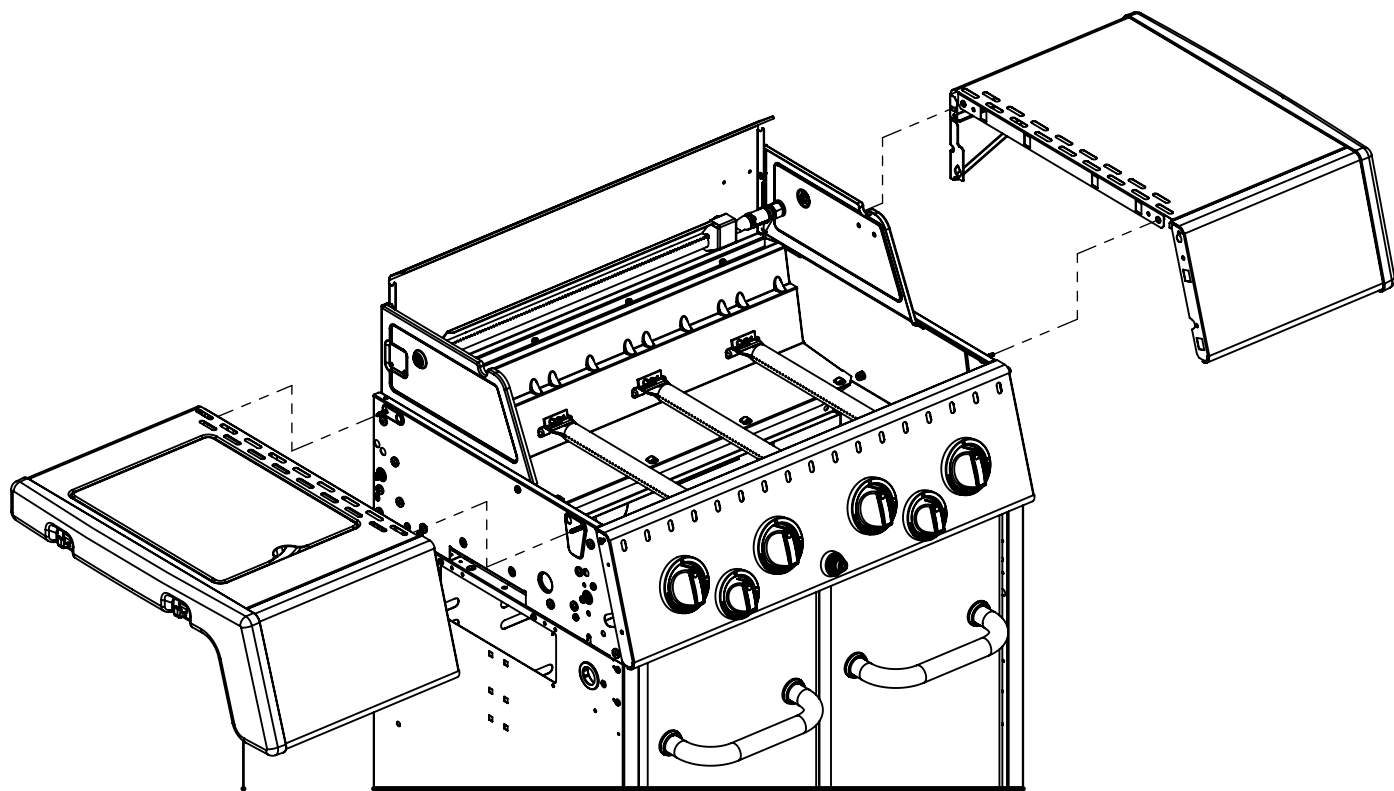
**13**



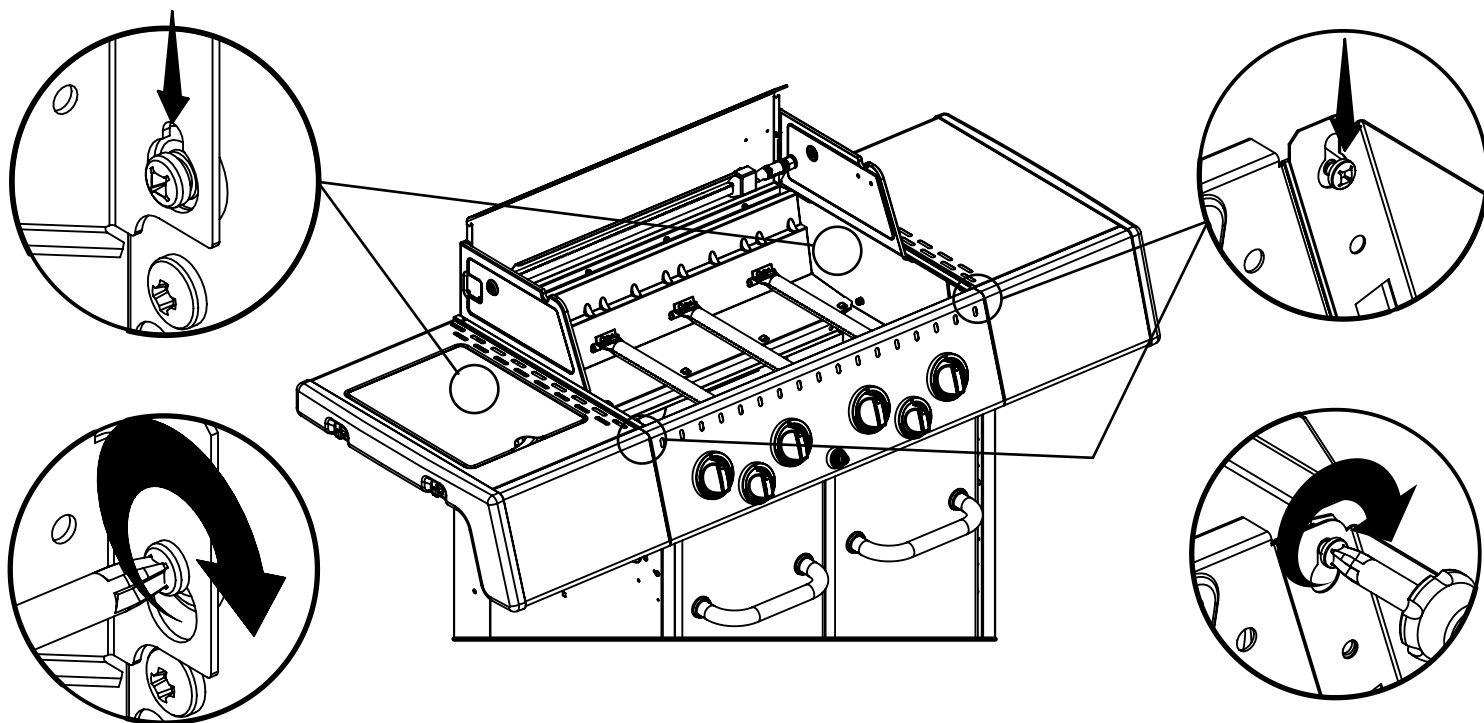
**14**



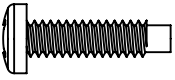
15

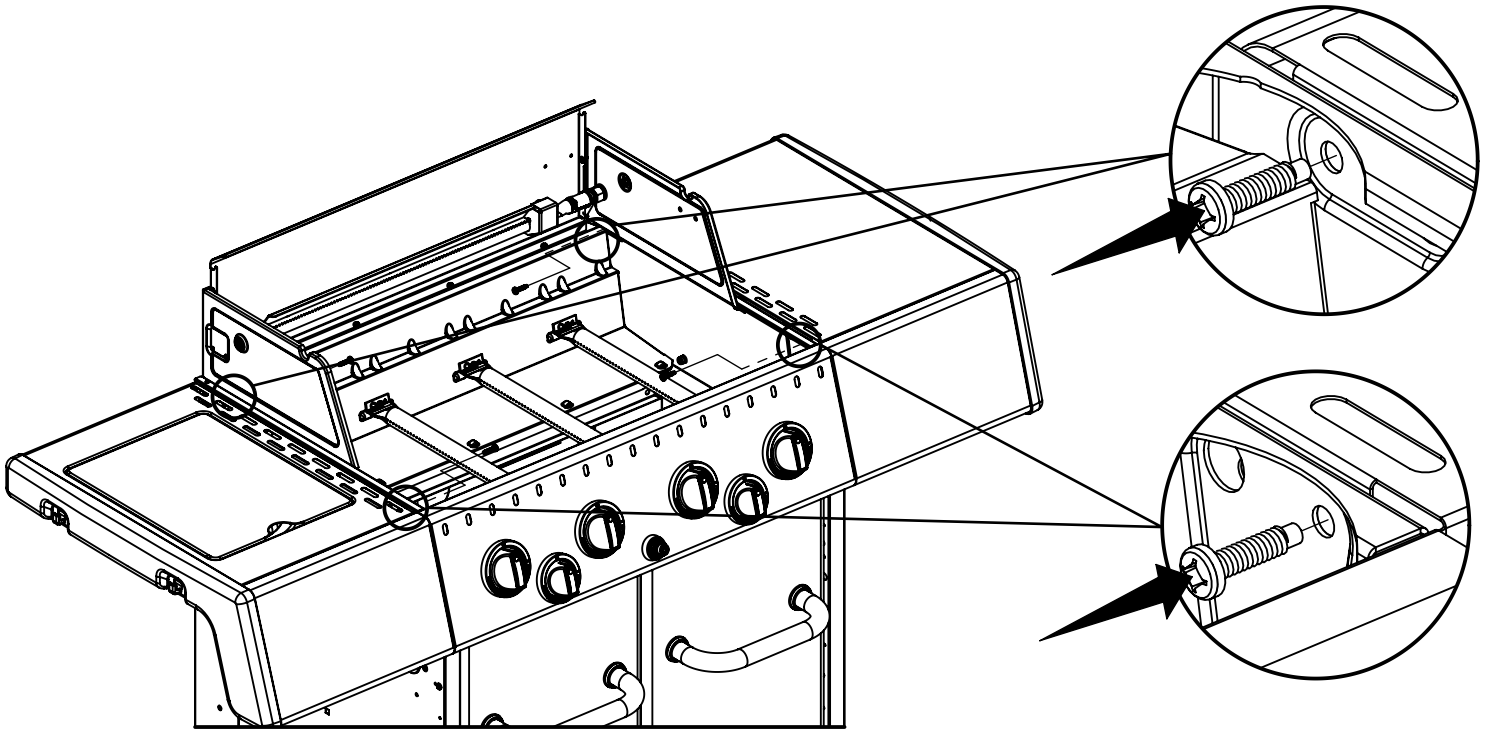


16

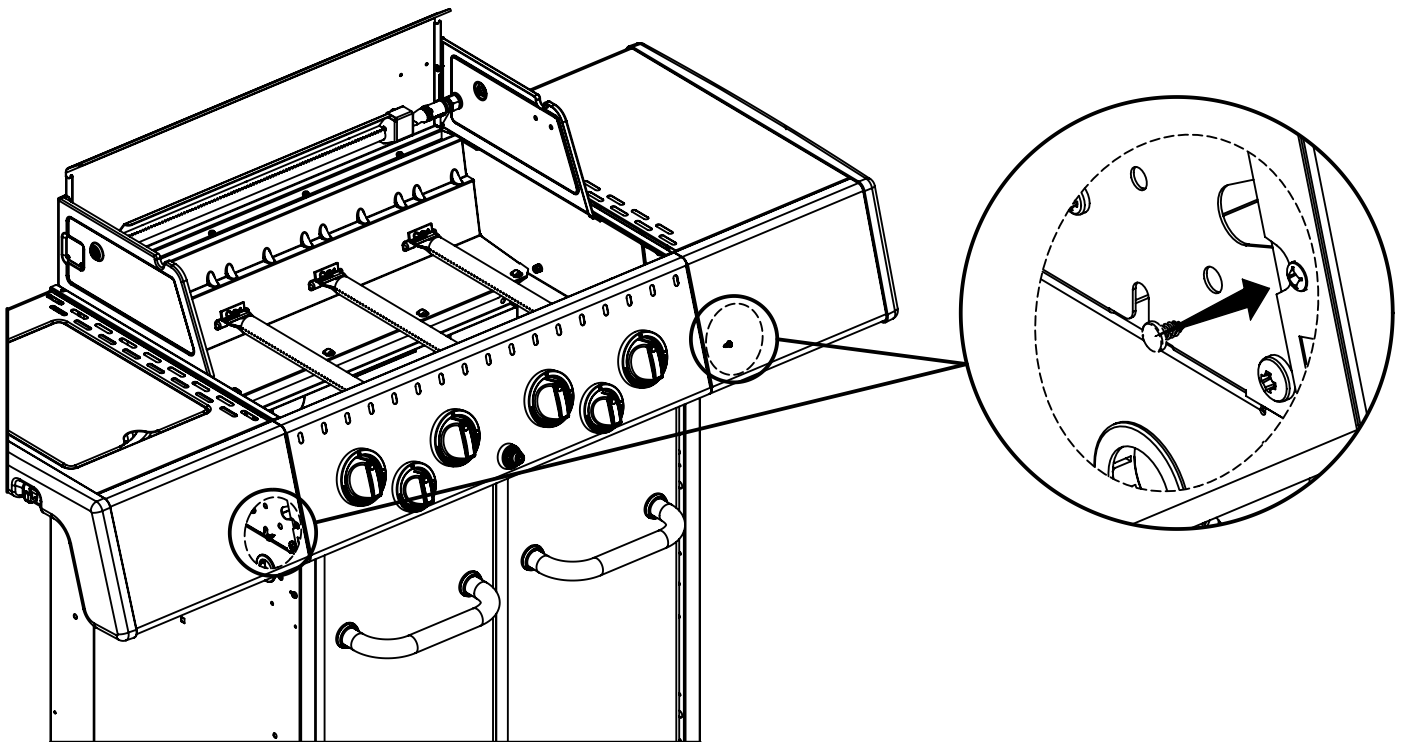


17

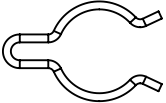
(4) 

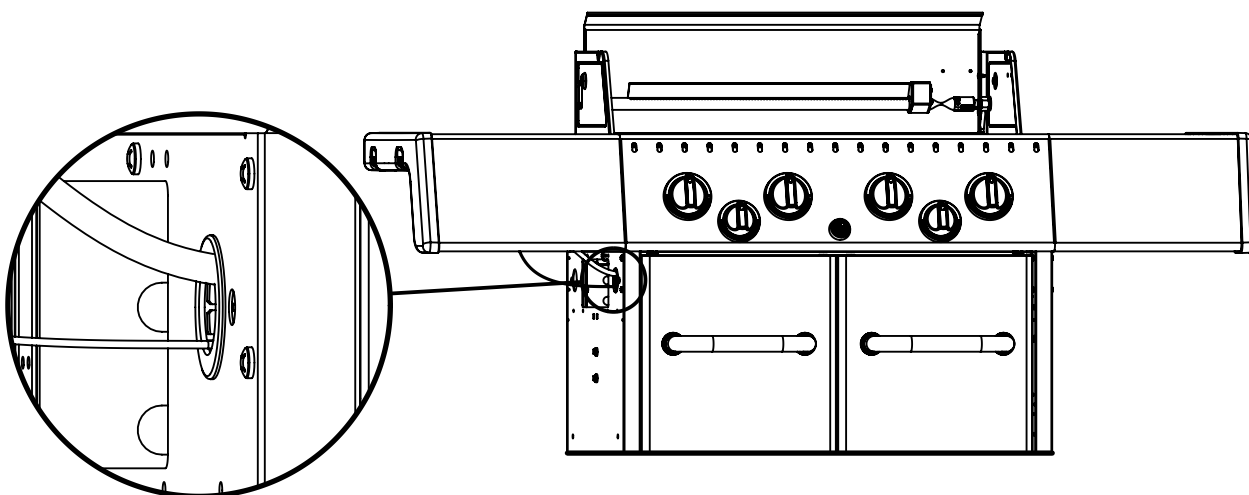
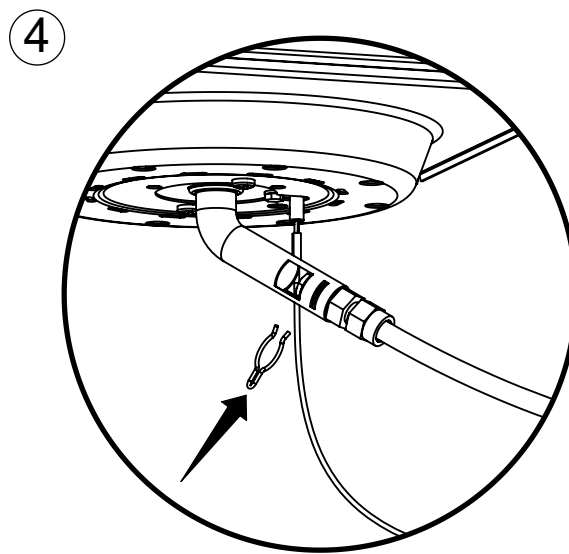
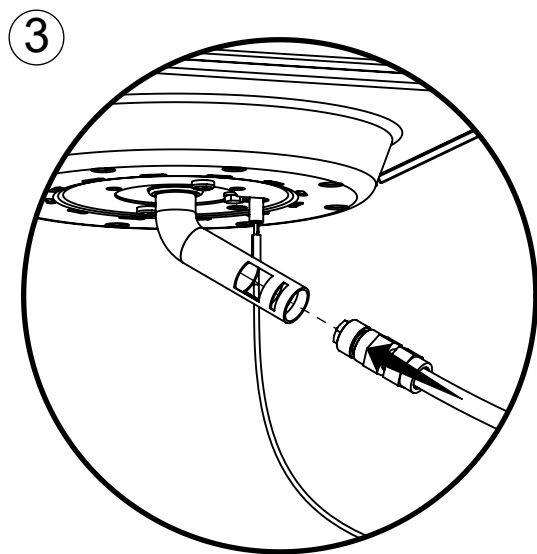
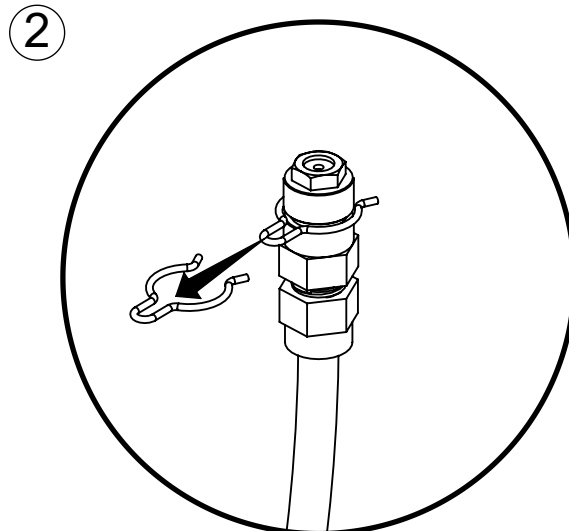
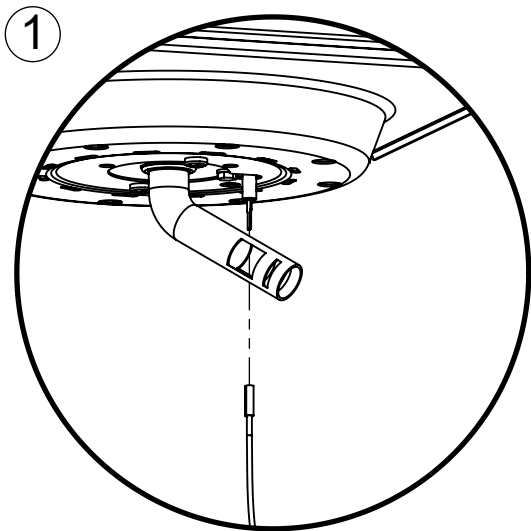


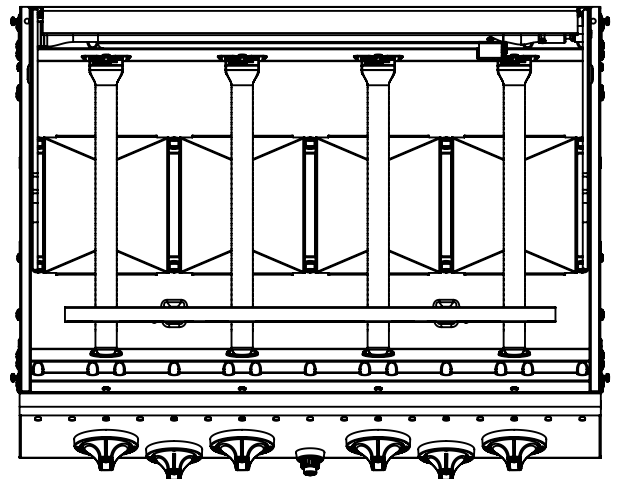
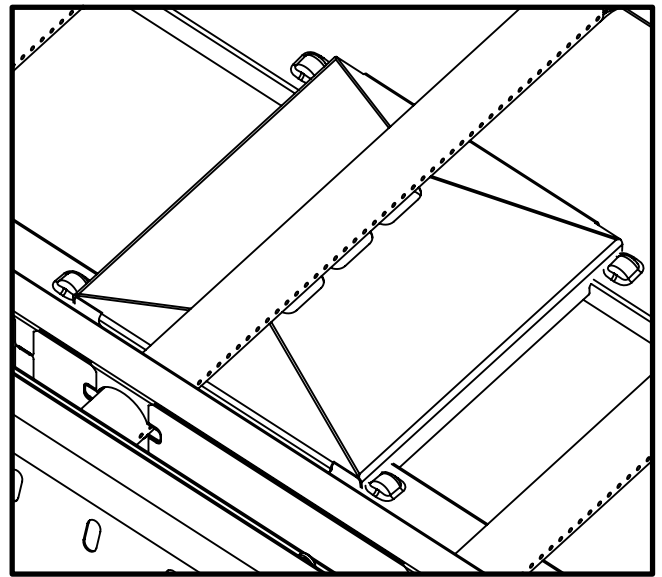
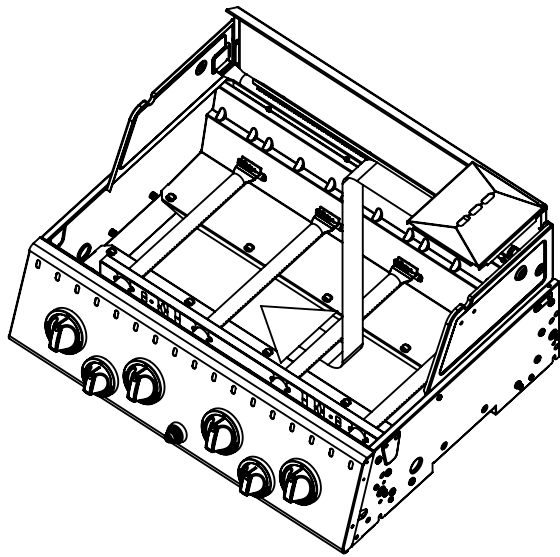
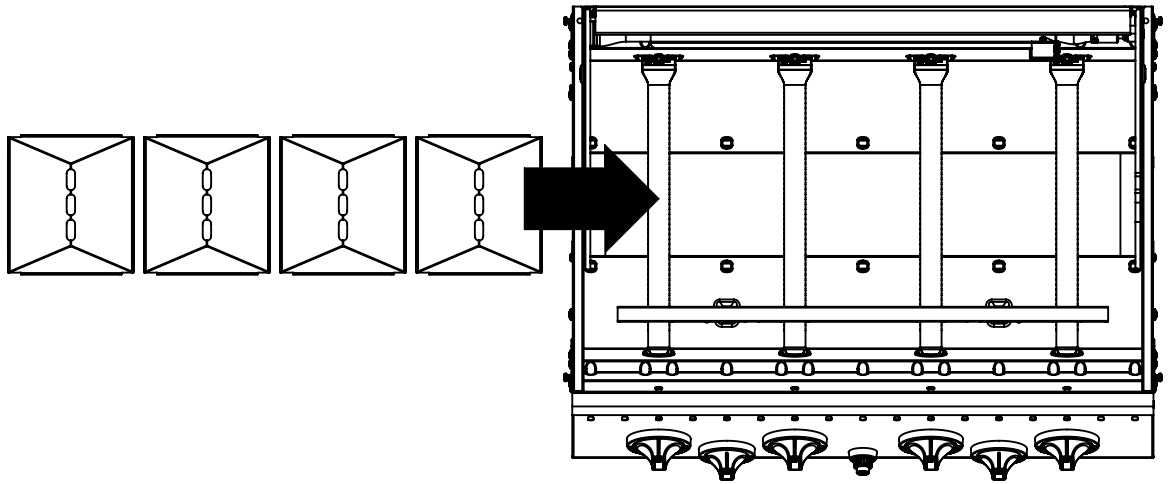
18



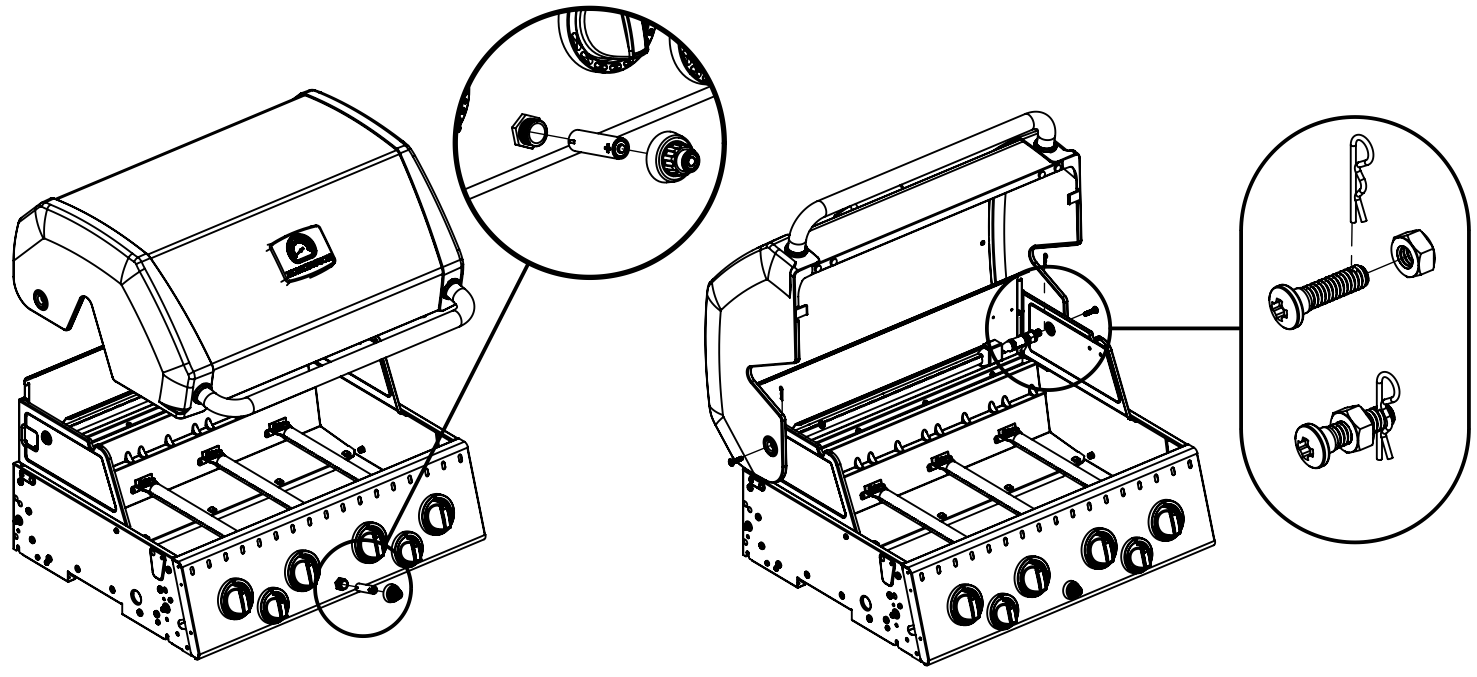
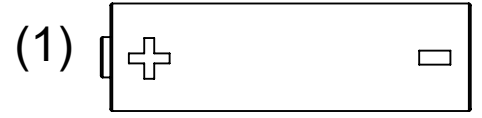
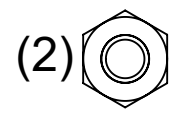
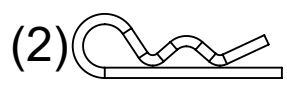
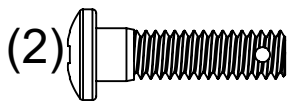
19

(1) 

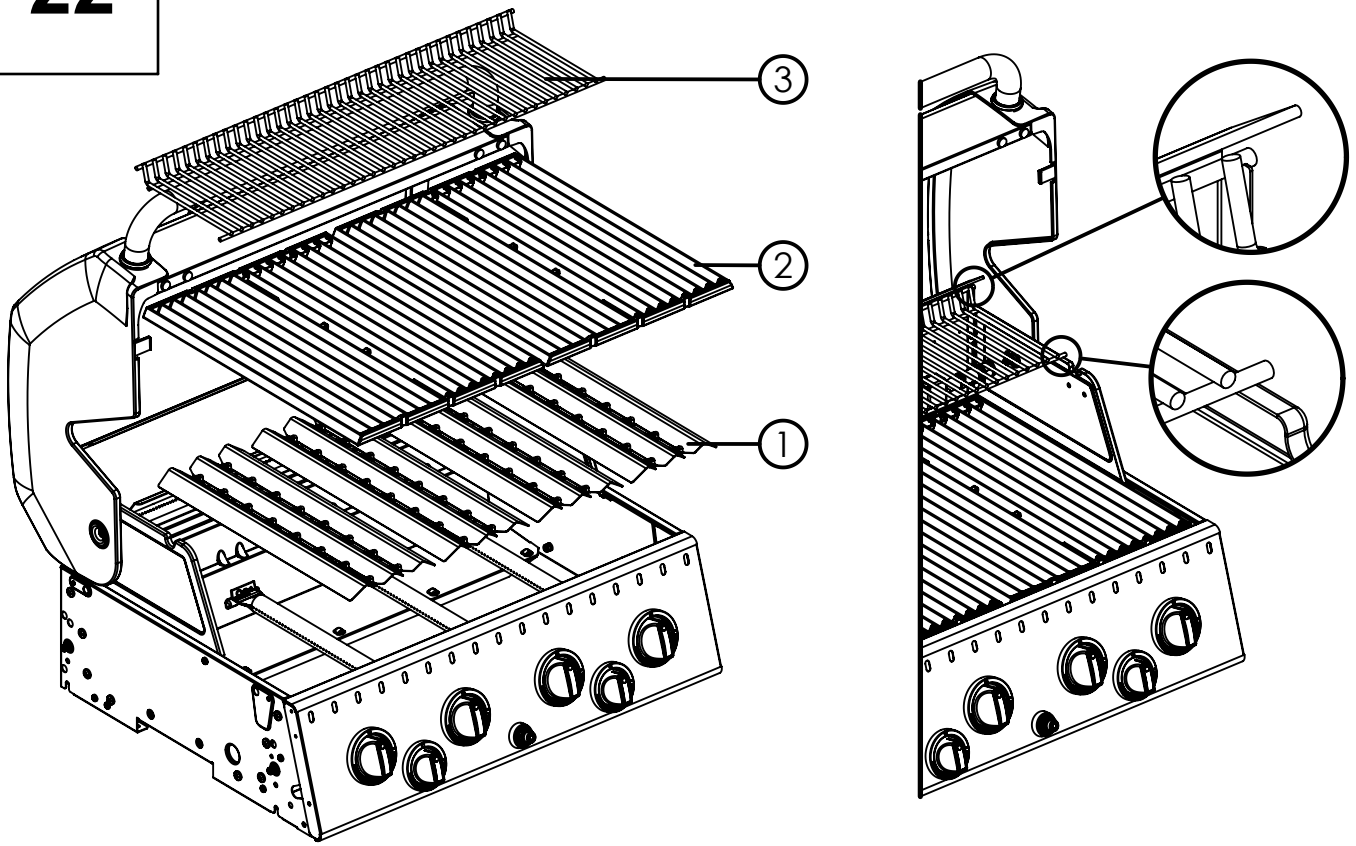




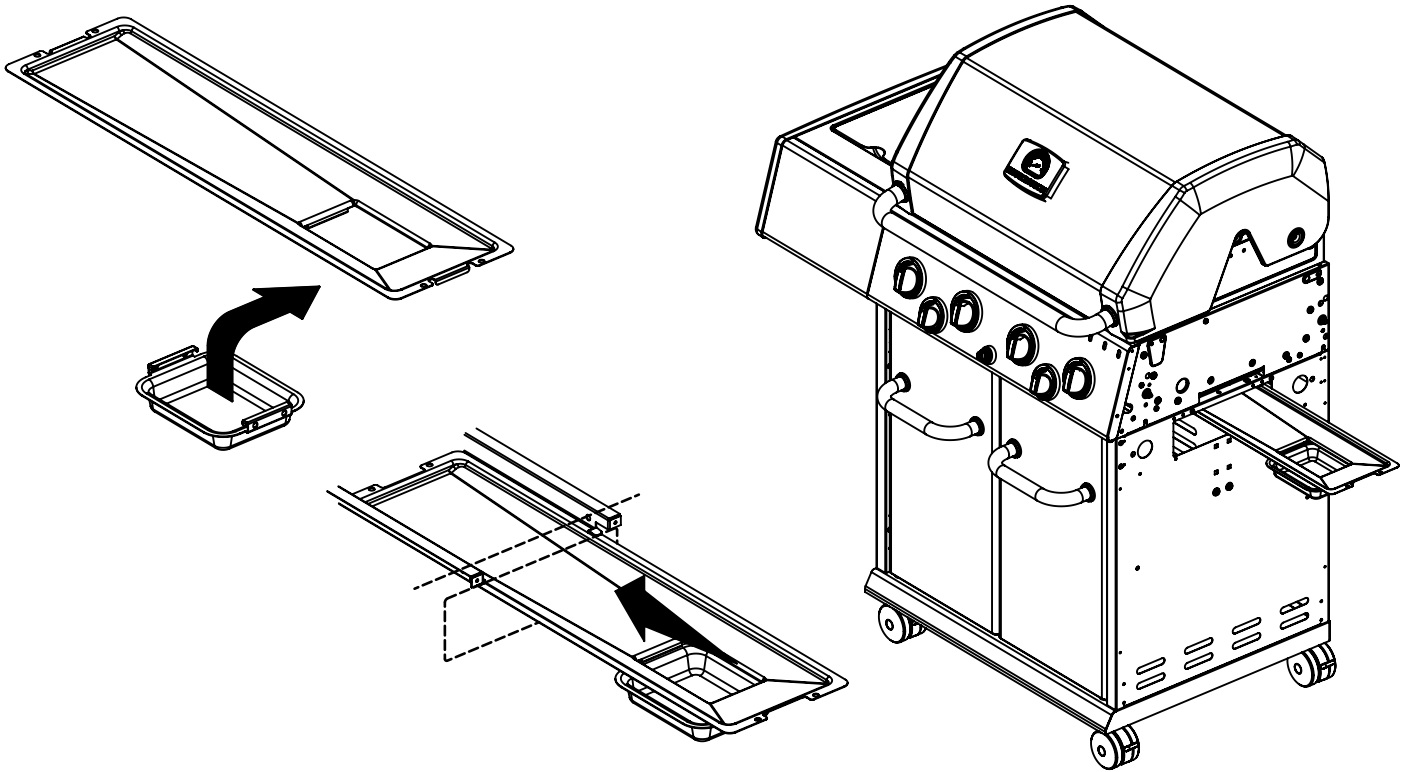
**21**



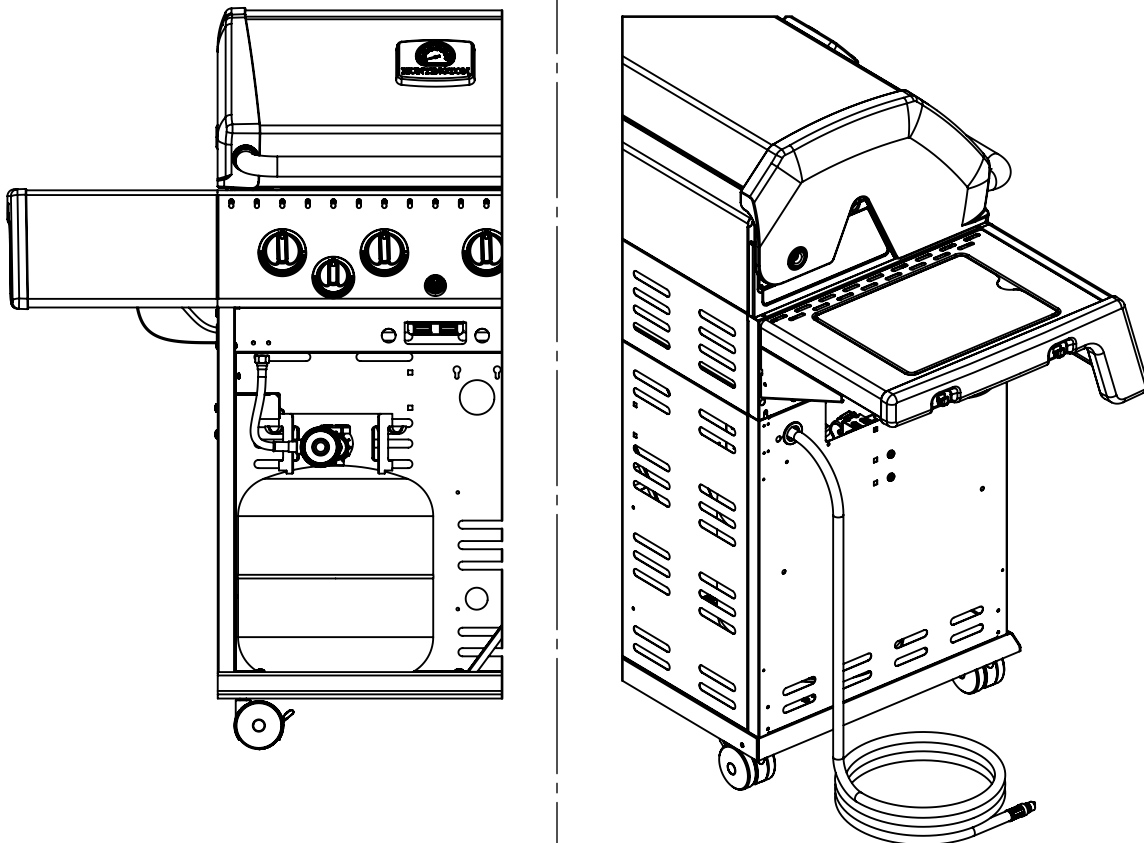
**22**



23

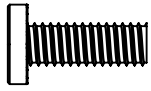


24



**25**

(2)



(2)

