

This Owner's Manual is provided and hosted by [Appliance Factory Parts](#).



# HUNTINGTON 6825-24 Owner's Manual

[Shop genuine replacement parts for HUNTINGTON  
6825-24](#)



[Find Your HUNTINGTON Grill Parts - Select From 154 Models](#)

----- Manual continues below part list -----

## Available Replacement Parts for HUNTINGTON 6825-24

|                            |                               |
|----------------------------|-------------------------------|
| <a href="#">18013</a>      | LARGE PROBE HEAT INDICATOR    |
| <a href="#">S21124</a>     | SCREW PHCP #8 X 12 +          |
| <a href="#">10390-E10</a>  | BURNER SIDE 10BTU W/ELEC #8 + |
| <a href="#">Y-12220</a>    | S/B BUSHING SB 1.375 16 HEY   |
| <a href="#">S15263</a>     | ROTISSERIE BUSHING            |
| <a href="#">S15299</a>     | WASHER COUNTERWEIGHT ROTIS    |
| <a href="#">S15270</a>     | ROTISSERIE COUNTERWEIGHT ASSY |
| <a href="#">S15271</a>     | ROTISSERIE HANDLE +           |
| <a href="#">10342-246</a>  | IGNITOR ELECTRONIC TRIPLE +   |
| <a href="#">Y-12223</a>    | MAGNET SNAP IN - DOOR         |
| <a href="#">Y-12222</a>    | MAGNET - DOOR                 |
| <a href="#">10342-E13</a>  | ELECTRODE W/WIRE              |
| <a href="#">10342-T18</a>  | WIRE ELECTRODE S/B 600 +      |
| <a href="#">S15245</a>     | ROTIS MOTOR-220V AC +         |
| <a href="#">10240-20</a>   | DOOR PIN TOP                  |
| <a href="#">10240-19</a>   | DOOR PIN BOTTOM               |
| <a href="#">27055-901</a>  | GREASE TRAY PORC FORMED 440 + |
| <a href="#">52045-92</a>   | FIREBOX 440 HEAT SHIELD REAR  |
| <a href="#">52315-151</a>  | FIREBOX 440 HOOD PANEL PORC   |
| <a href="#">59005-034</a>  | CONTROL ASSY 4V S/B LP        |
| <a href="#">59005-037</a>  | CONTROL ASSY 4V S/B NG        |
| <a href="#">18431</a>      | OEM FLAV R WAVE - BARON       |
| <a href="#">52007-181</a>  | COOKING GRID 550 PORC BLK +   |
| <a href="#">S15256</a>     | SPIT ROD ROTISSERIE 31 INCH   |
| <a href="#">52305-121</a>  | FIREBOX 440 OUTER REAR        |
| <a href="#">20005-000</a>  | HARDWARE BAG STICK & CHAIN SS |
| <a href="#">10693-165</a>  | ORIFICE SPUD 1.63MM 5/16-32   |
| <a href="#">10892-23</a>   | CASTER RUBBER 3 INCH W/PLATE  |
| <a href="#">52015-903</a>  | COLLECTOR BOX ASSEMBLY 440    |
| <a href="#">51175-111A</a> | DOOR ASSEMBLY 440 RHS BLACK   |

|                            |  |
|----------------------------|--|
| <a href="#">51175-131A</a> | DOOR ASSEMBLY 440 LHS BLACK              |
| <a href="#">51175-114A</a> | DOOR ASSEMBLY 440 RHS SS                 |
| <a href="#">51175-134A</a> | DOOR ASSEMBLY 440 LHS SS                 |
| <a href="#">10693-113</a>  | ORIFICE SPUD 1.13MM 5/16 32              |
| <a href="#">51039-951</a>  | CASTER BRACKET BLACK 330/440/550         |
| <a href="#">52002-284</a>  | COOKING GRID SS, Each                    |
| <a href="#">52065-91</a>   | FIREBOX 440 HEAT SHIELD FRONT            |
| <a href="#">53184-118</a>  | SHELF END CAP RHS 330/440                |
| <a href="#">53184-138</a>  | SHELF END CAP LHS 330/440                |
| <a href="#">53404-114</a>  | SHELF FRONT FACIA RHS 330/440            |
| <a href="#">57039-901</a>  | ROTISSERIE BRACKET BLK                   |
| <a href="#">59005-014</a>  | CONTROL ASSY 4V LP                       |
| <a href="#">53009-951</a>  | SIDE BURNER TRIVET BLK                   |
| <a href="#">S15508</a>     | REAR BURNER ELECTRODE WIRE +             |
| <a href="#">50502</a>      | HEAVY DUTY MEAT FORKS                    |
| <a href="#">53104-111</a>  | SHELF RHS BLK 330/440                    |
| <a href="#">59005-017</a>  | CONTROL ASSY 4V NG                       |
| <a href="#">10081-69H</a>  | NAMEPLATE HUNTINGTON LRG                 |
| <a href="#">10081-69S</a>  | NAMEPLTE STERLING LRG CHRME SRFACE MOUNT |
| <a href="#">52924-144R</a> | BURNER - MAIN                            |
| <a href="#">10111-K45</a>  | HOSE 3/8 INCH ASSEMBLY NG 10 FOOT +      |
| <a href="#">10081-69BM</a> | NAMEPLATE BROILMATE                      |
| <a href="#">Y-11990</a>    | NUT HEX BRASS 3/8 27 RB LINE             |
| <a href="#">24009-936</a>  | HANDLE RING                              |
| <a href="#">10342-247</a>  | IGNITOR ELECTRONIC +                     |
| <a href="#">10472-K431</a> | CONTRL KNOB RESIN LRG BLCK W/SS BA STRIP |
| <a href="#">21071-13</a>   | DOOR HANDLE 500 GPB                      |
| <a href="#">22001-168</a>  | CONTROL KNOB BEZEL SML                   |
| <a href="#">22002-268</a>  | CONTROL KNOB BEZEL LARGE                 |
| <a href="#">24005-12AB</a> | LID-HANDLE BENT,                         |
| <a href="#">52809-957</a>  | MANIFOLD - REAR BURNER AB                |
| <a href="#">52005-991</a>  | WARMING RACK 440 PORC                    |
| <a href="#">21035-991</a>  | GREASE RAIL 440/500 SABLE BLK            |

|                             |  |
|-----------------------------|--|
| <a href="#">59005-074</a>   | CONTROL ASSY 4V S/B R/B LP +           |
| <a href="#">59005-077</a>   | VALVE ASSY 440 S/B R/B NG              |
| <a href="#">21009-951</a>   | TANK COLLAR CLAMP 625/750 BLK PULL OUT |
| <a href="#">27905-354</a>   | BURNER TUBE REAR 500 W/WINDSHIELD      |
| <a href="#">51239-901</a>   | TANK PREVENTION BRACKET 440 + BLK      |
| <a href="#">51335-211</a>   | TOP MAGNET BRACKET 440 BLACK           |
| <a href="#">52009-901</a>   | GREASE PAN - BLACK HIGH HEAT PAINT     |
| <a href="#">57139-13</a>    | BRACKET U-CHANNEL REAR 330/440/550     |
| <a href="#">10111-15A</a>   | HOSE ASSEMBLY SS                       |
| <a href="#">10114-16</a>    | HOSE & REG ASSY 17 INCH LP +           |
| <a href="#">52904-144NG</a> | BURNER ASSY MAIN SINGLE TUBE + NG      |
| <a href="#">27249-904</a>   | GREASE SHIELD MODULAR, 6.5 x 6         |



ASSEMBLY MANUAL & PARTS LIST • MANUEL DE MONTAGE & LISTE DE PIÉCES • MANUAL DE ARMADO Y LISTA DE PARTES



**STERLING** 6  
5821-84/87

HUNTINGTON™  
6821-84/87

broil-mate™  
7821-84/87



**STERLING** 6  
5825-84/87

HUNTINGTON™  
6825-84/87

broil-mate™  
7825-84/87



**STERLING** 6  
5821-64/67

HUNTINGTON™  
6821-64/67

broil-mate™  
7821-64/67



**STERLING** 6  
5825-64/67

HUNTINGTON™  
6825-24/27  
6825-64/67

broil-mate™  
7825-64/67



**STERLING** 6  
5821-54/57

HUNTINGTON™  
6821-54/57

broil-mate™  
7821-54/57



**STERLING** 6  
5825-54/57

RETAIN FOR FUTURE REFERENCE • VEUILLEZ CONSERVER POUR REFERENCE ULTERIEURE • CONSERVER PARA FUTURAS CONSULTAS



SINCE 1906

MANUFACTURING COMPANY

1000 EAST MARKET STREET  
HUNTINGTON, INDIANA, 46750, USA

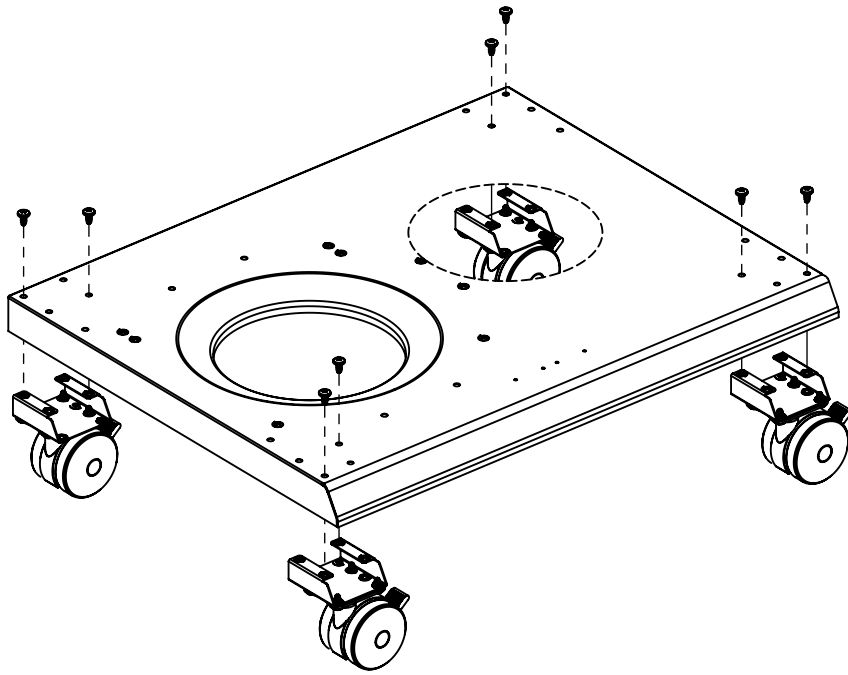
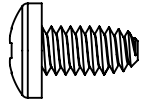
1-800-265-2150

[info@omcbbq.com](mailto:info@omcbbq.com)

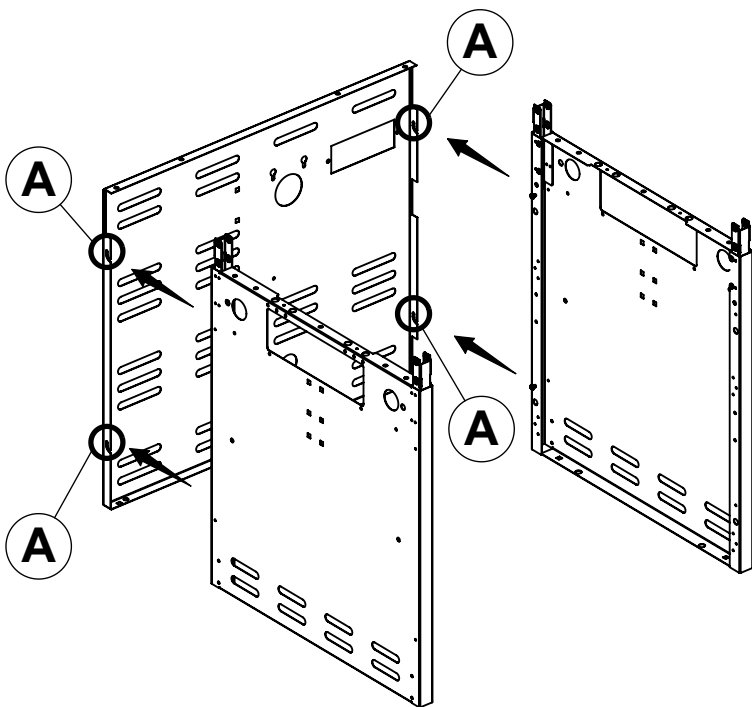
50084-E47 Rev K 08/16

1

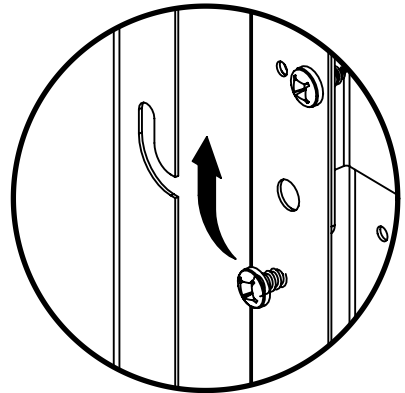
(8)



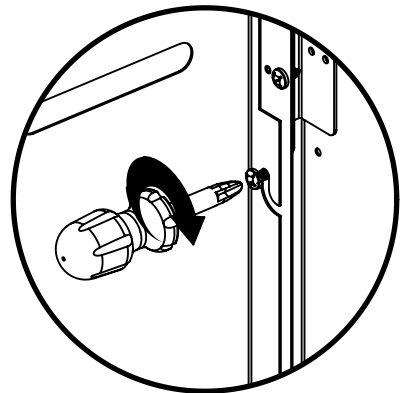
2



1

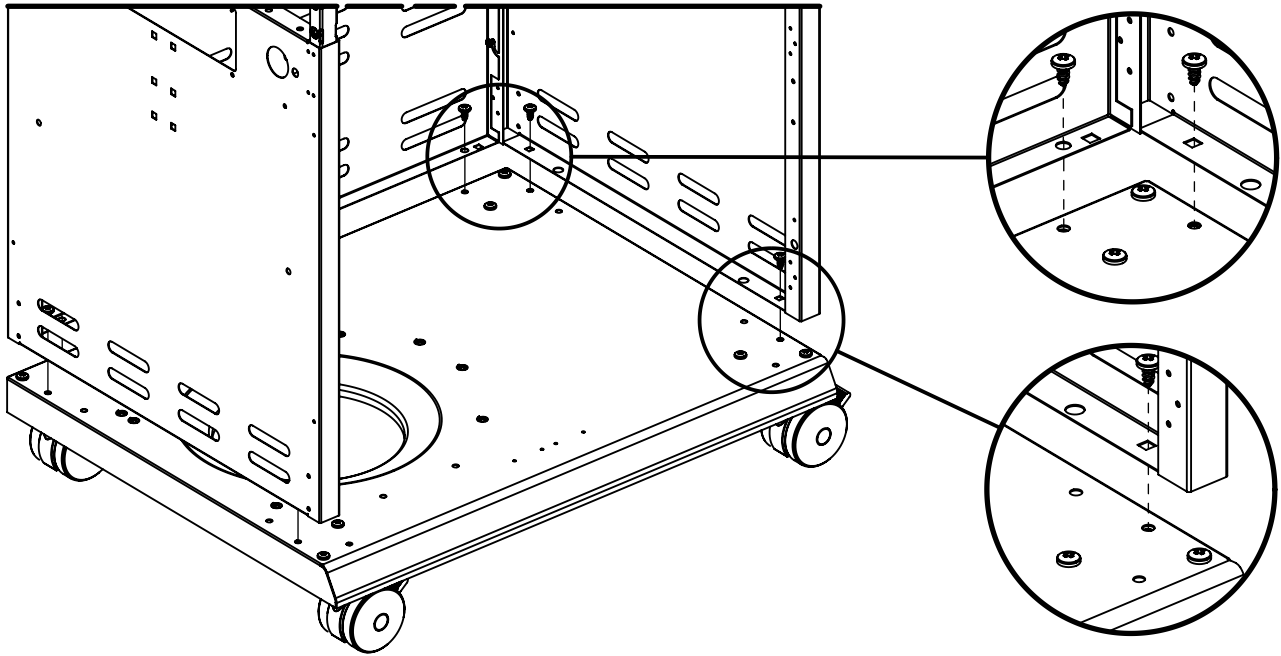
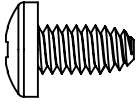


2



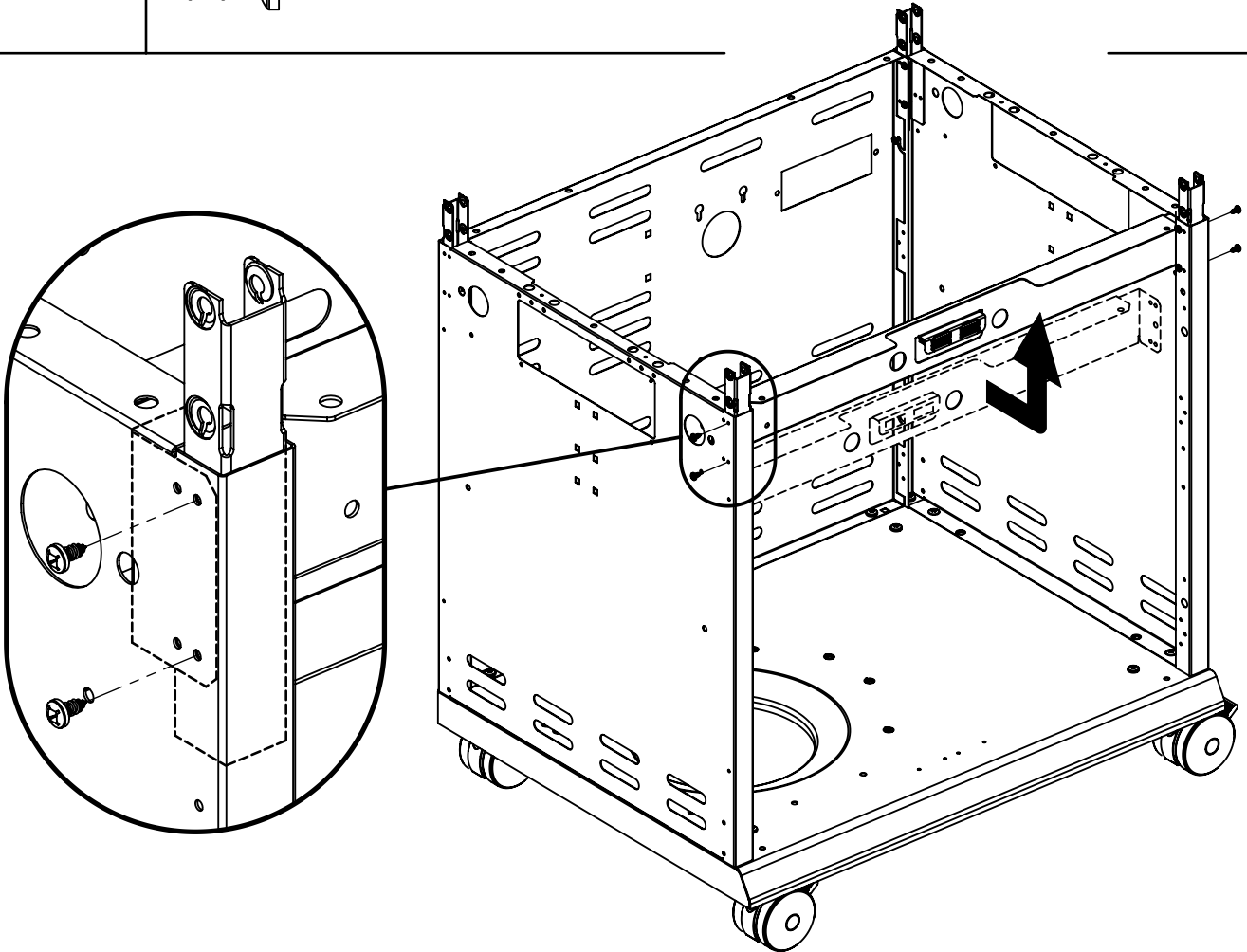
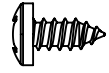
**3**

(6)




**4**

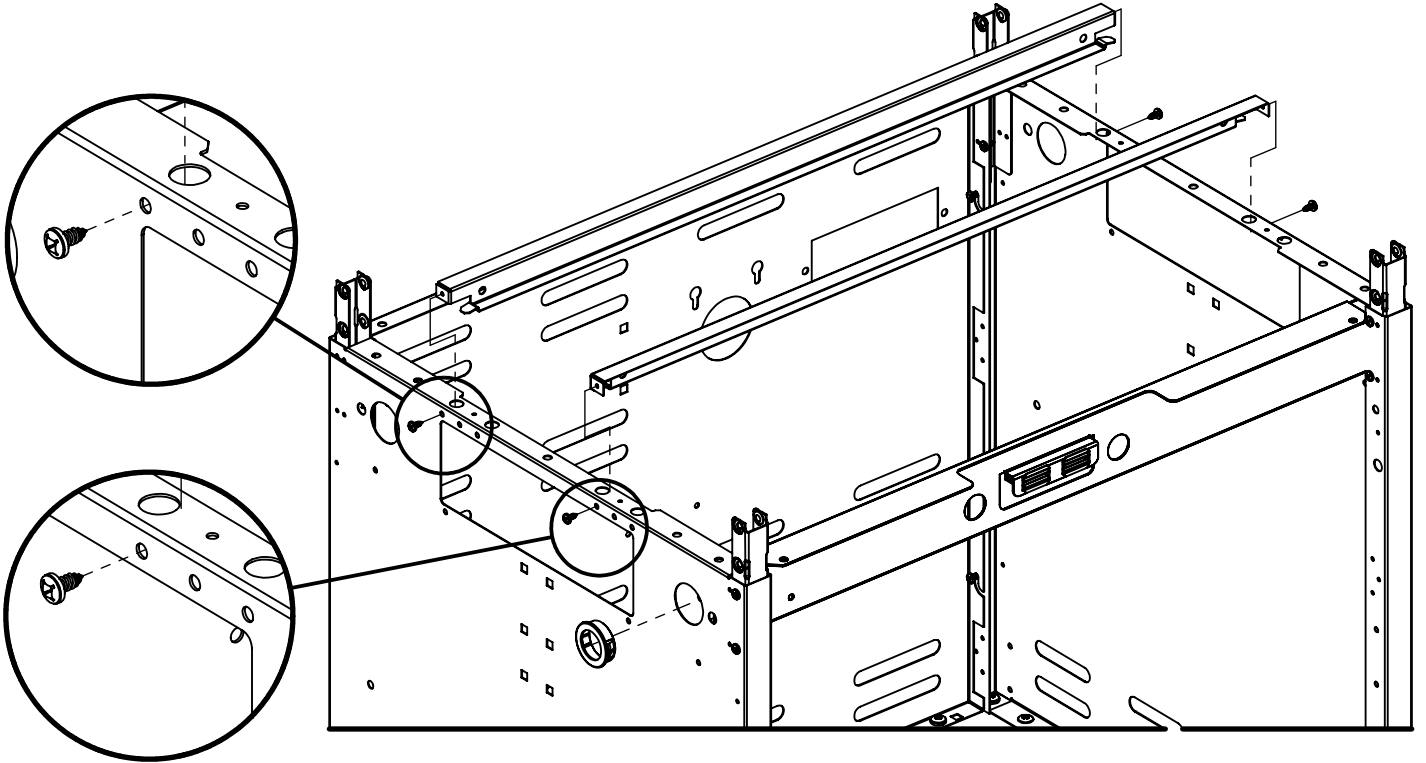
(4)



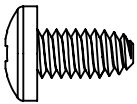
**5**

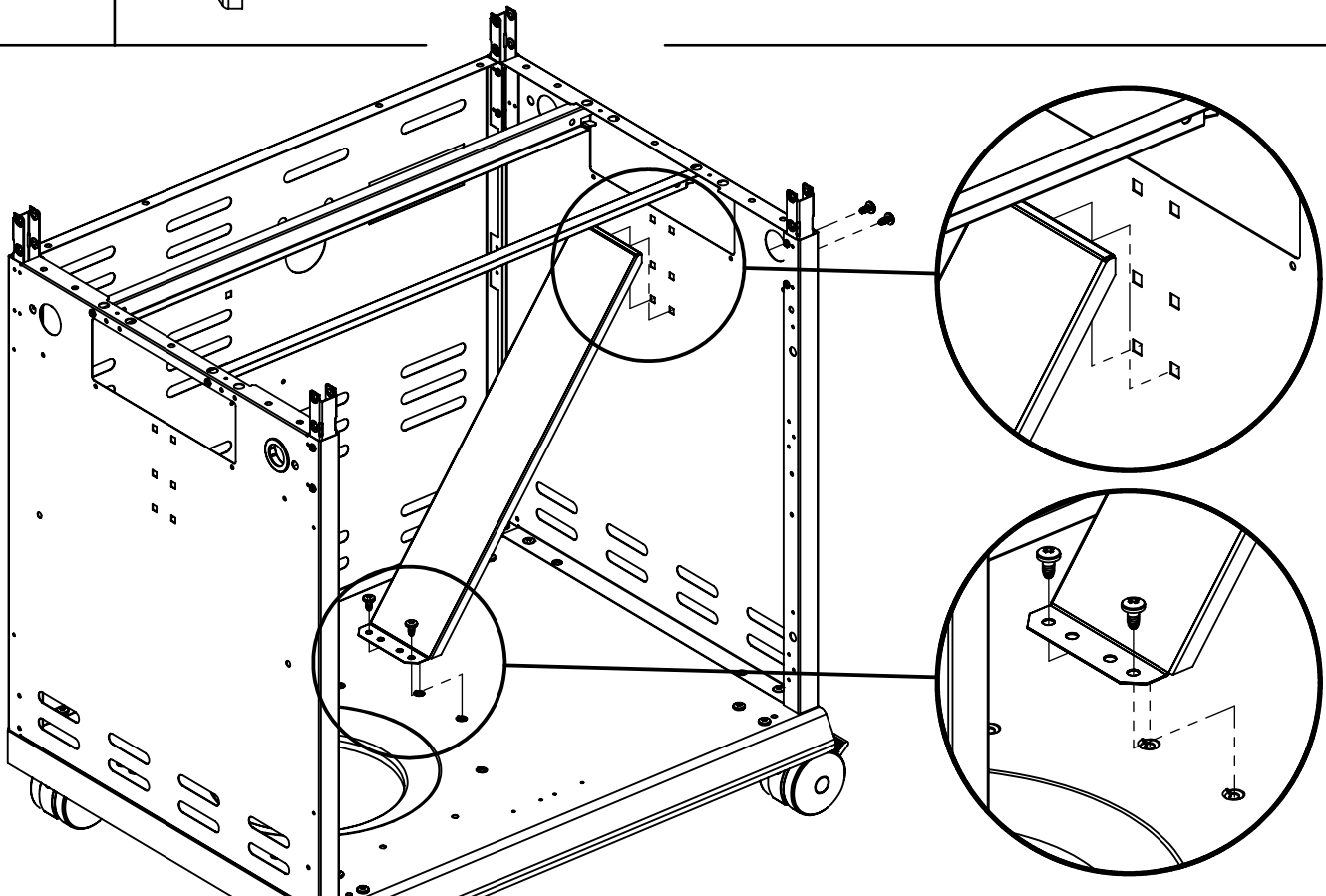
(4) 

(1) 

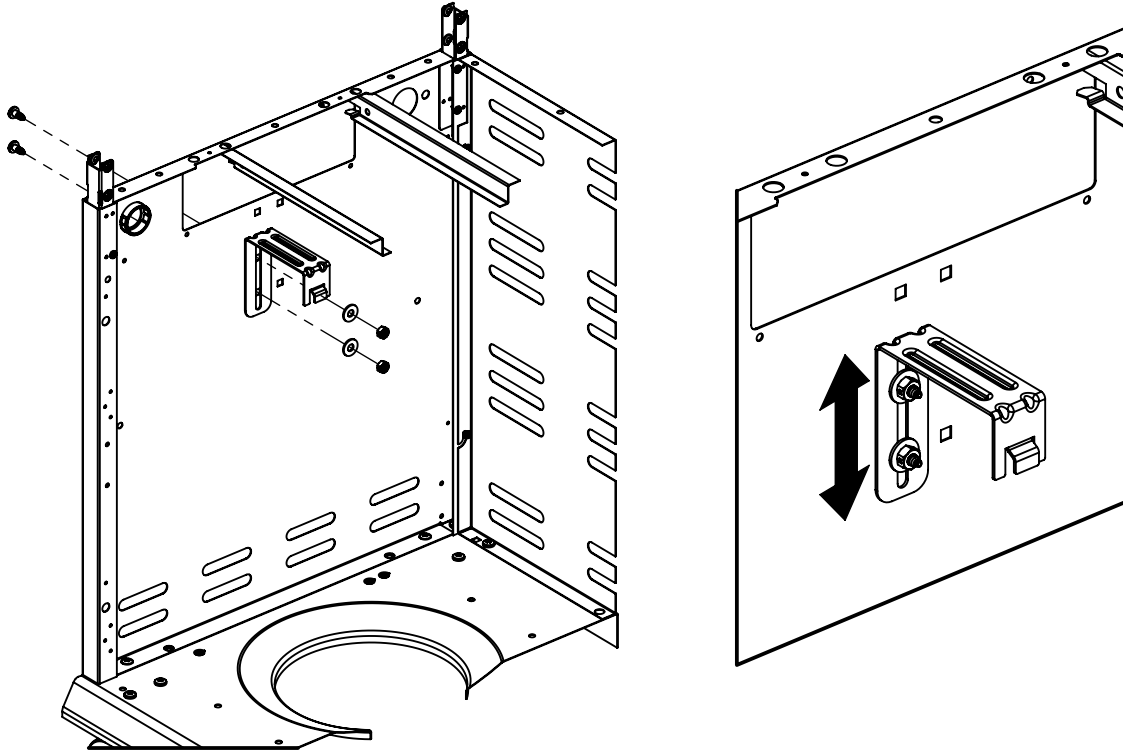


**6**

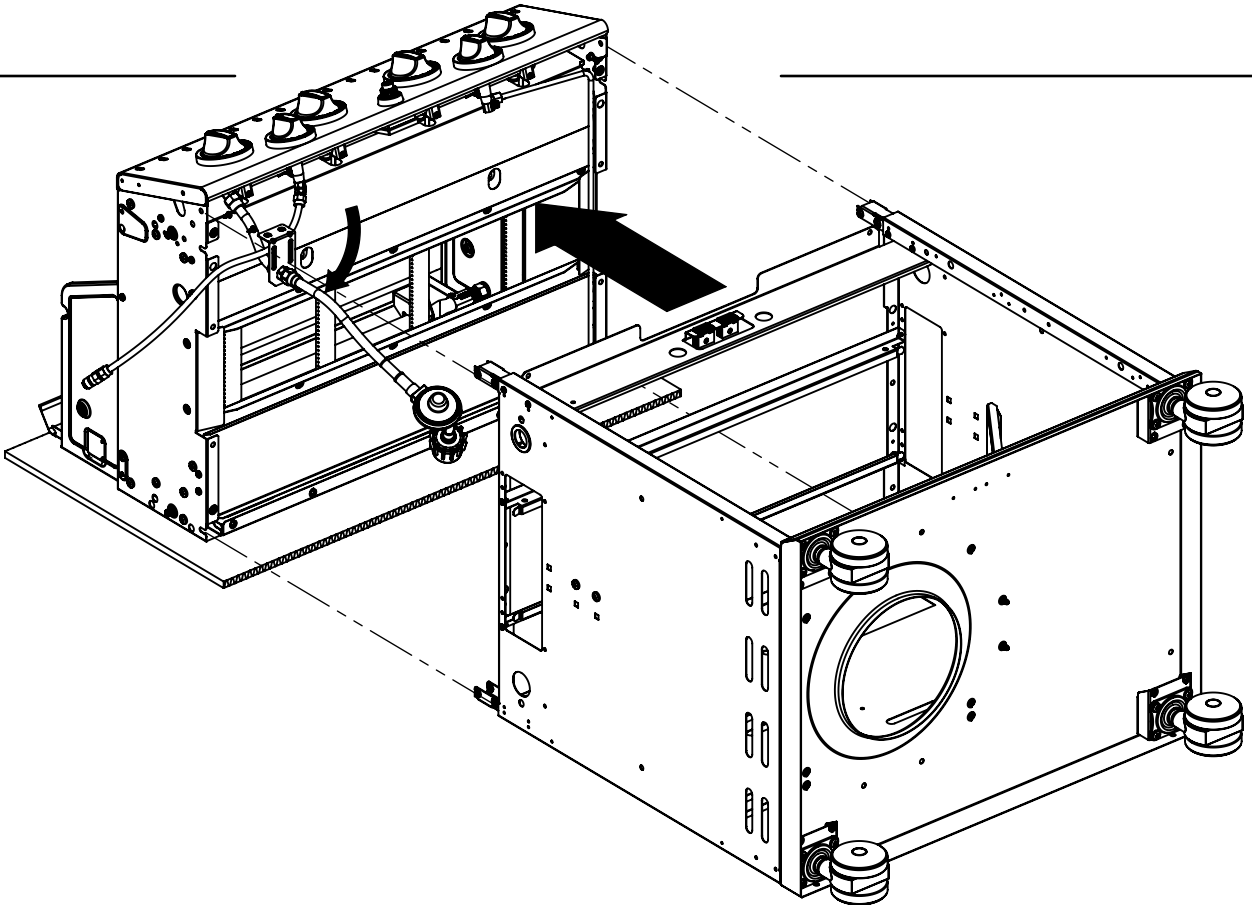
(4) 



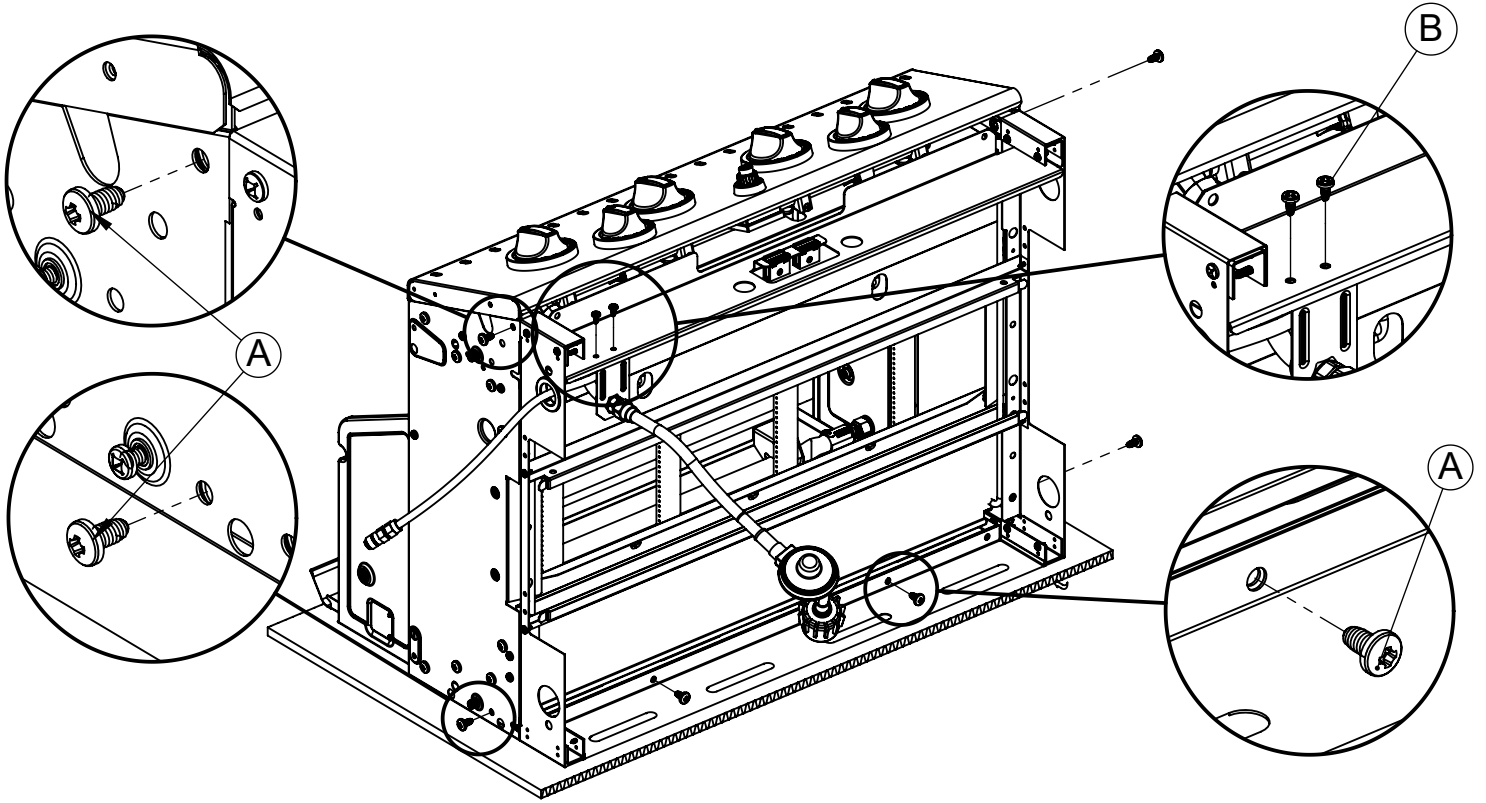
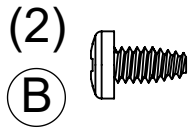
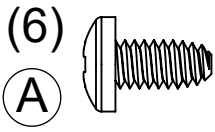
7



8



9

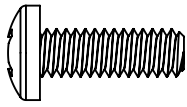


10

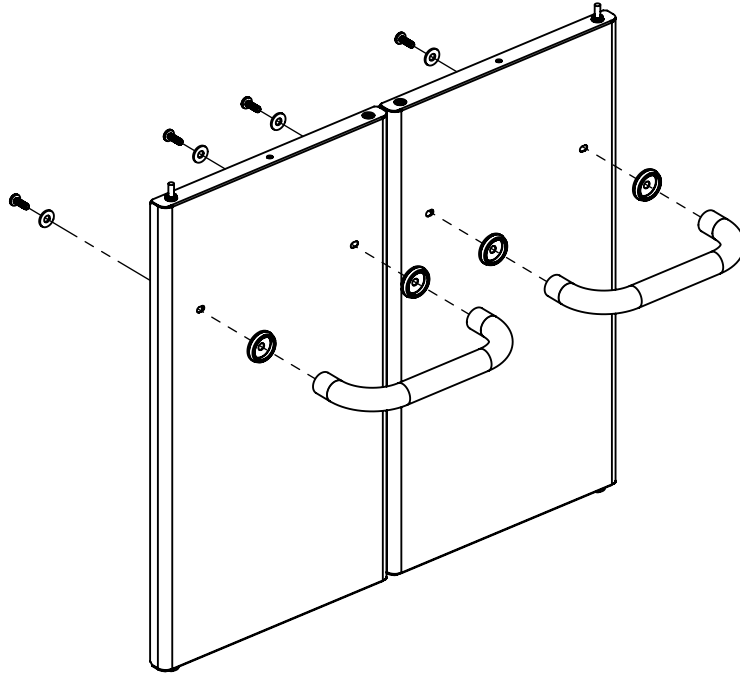
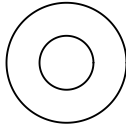


11

(4)

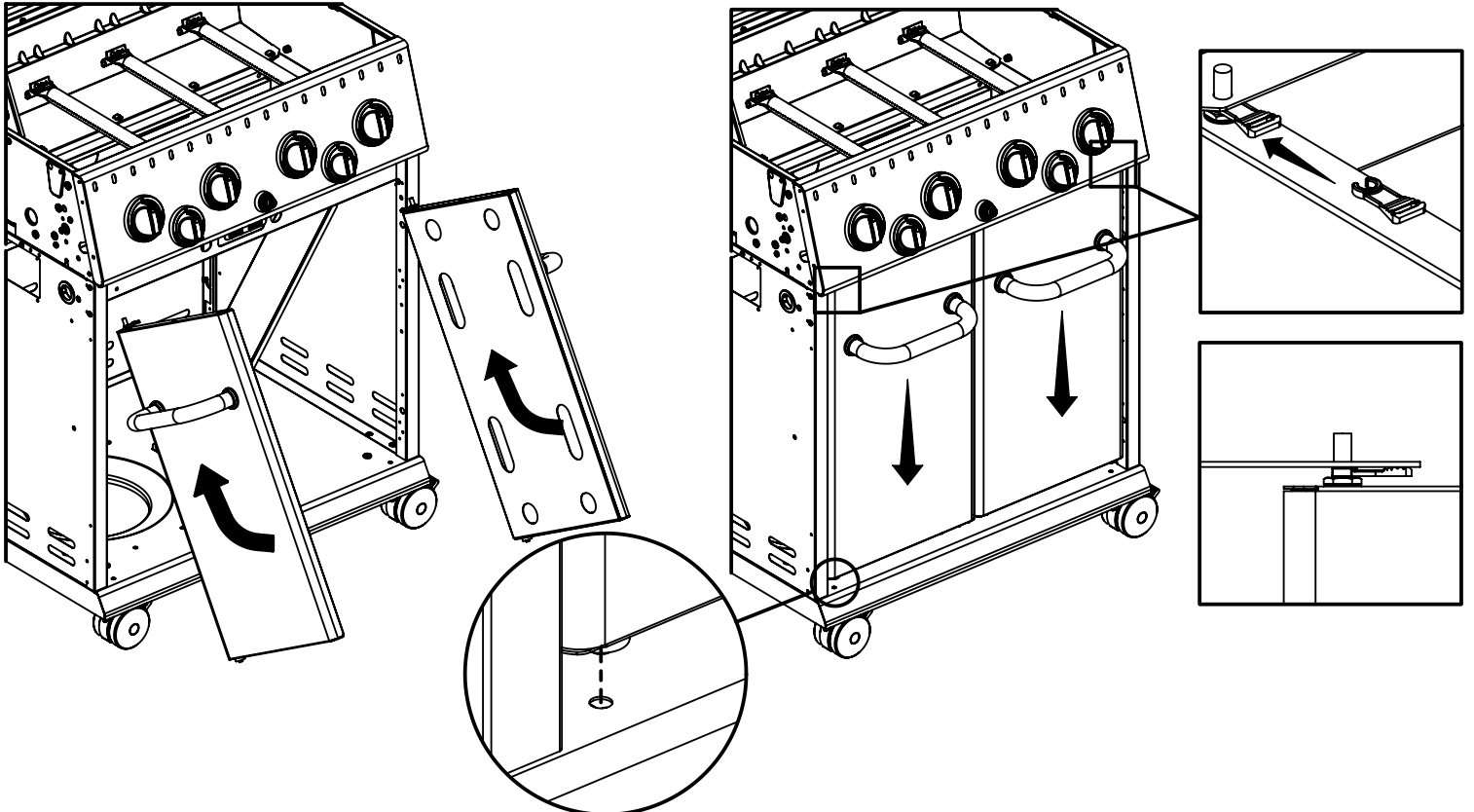
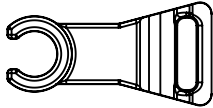


(4)

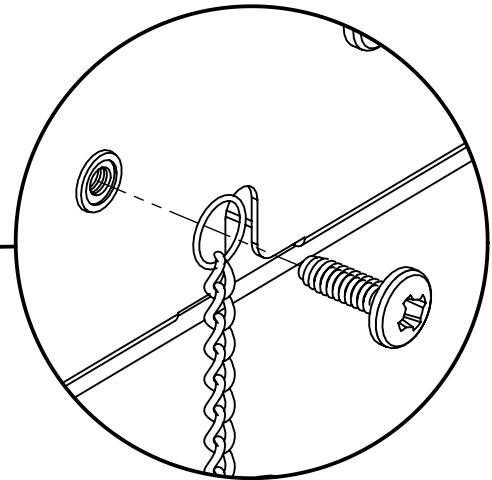
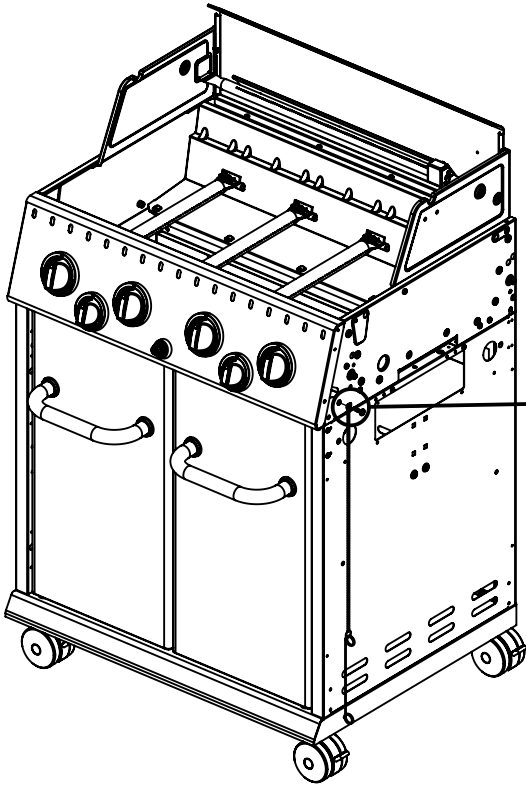
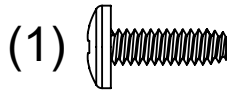


12

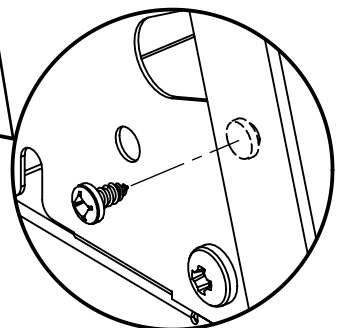
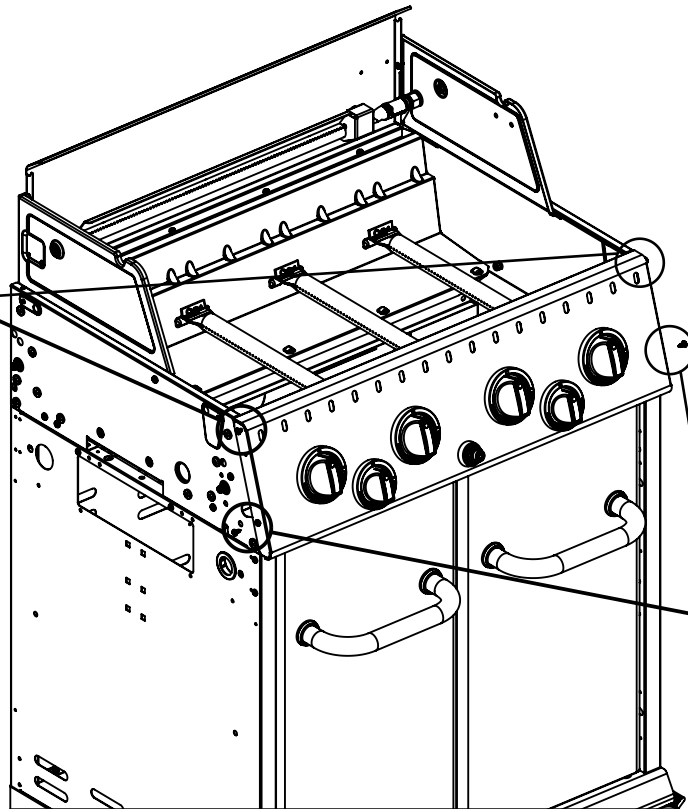
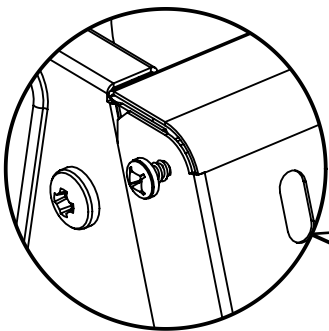
(2)



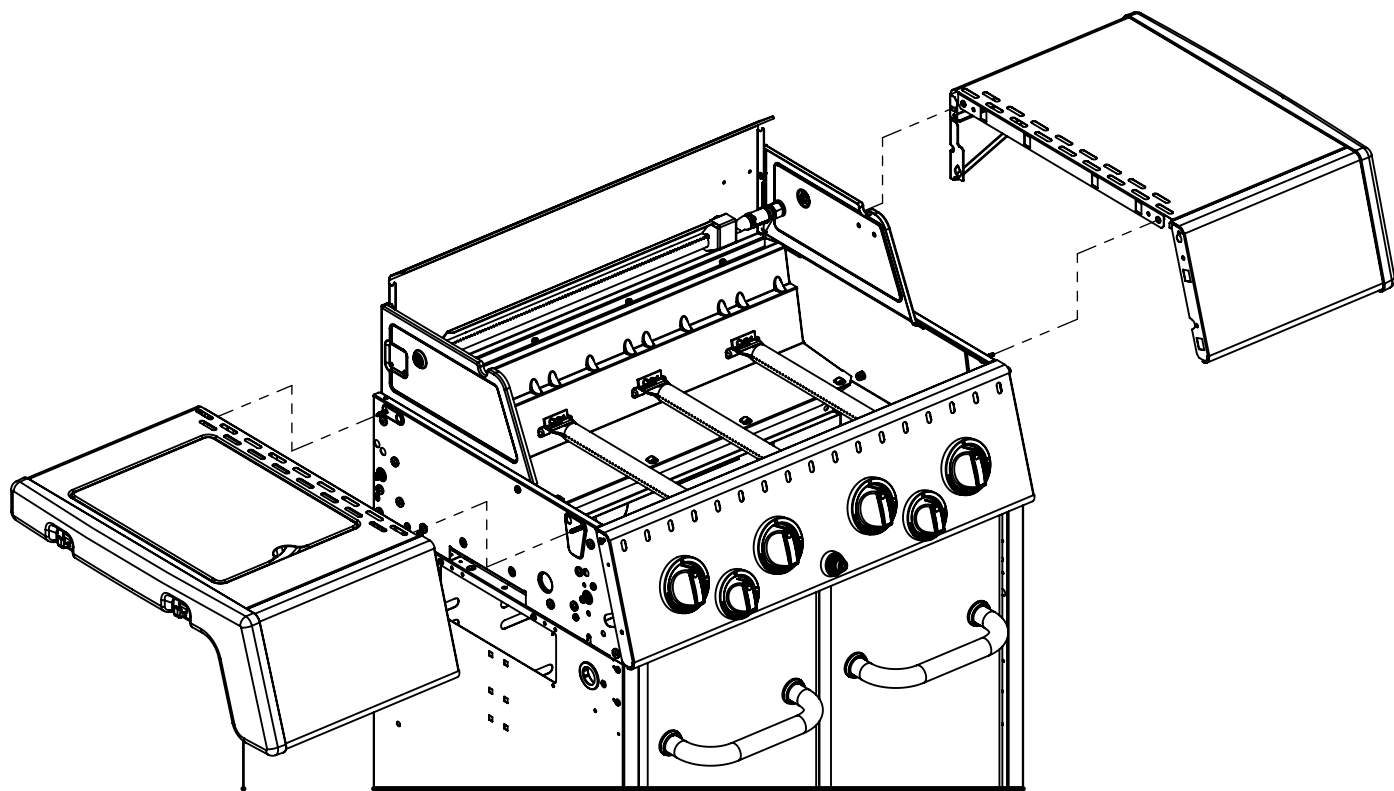
13



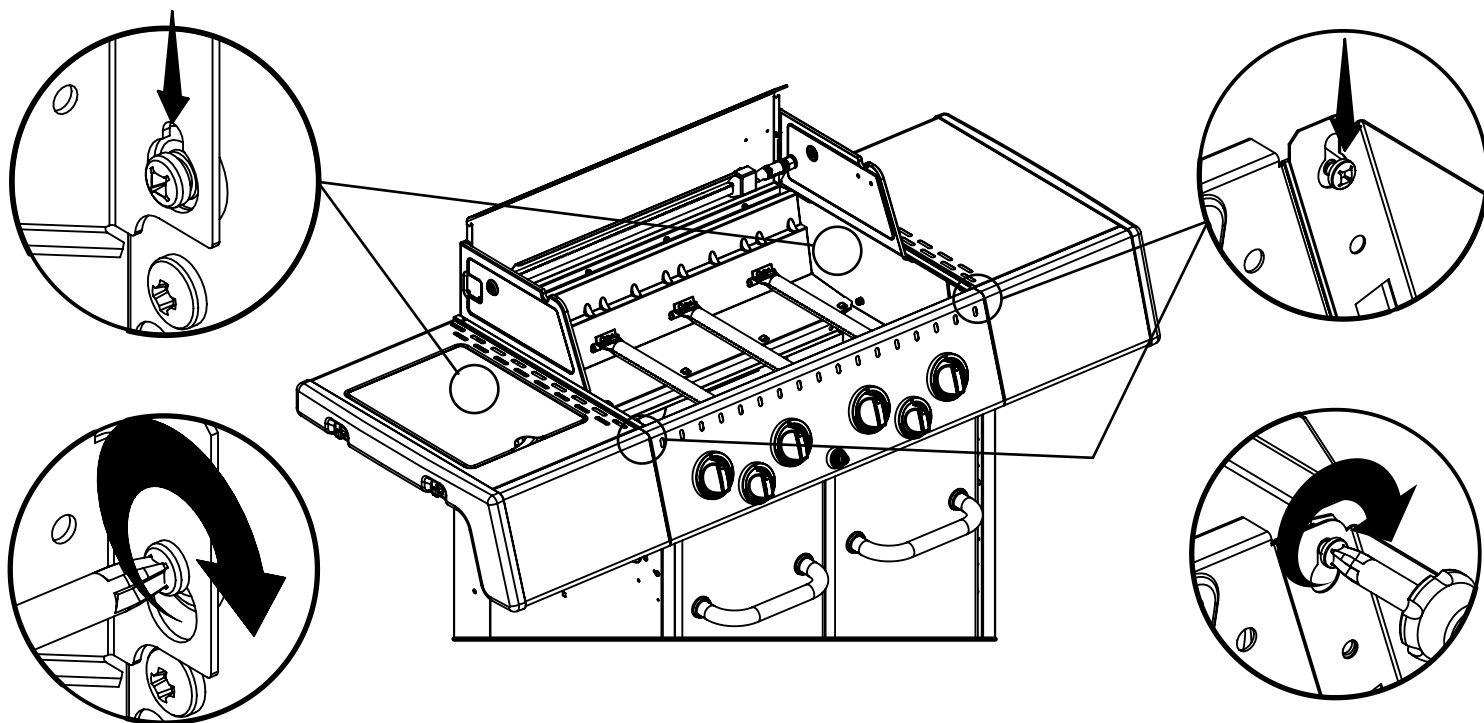
14



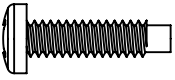
15

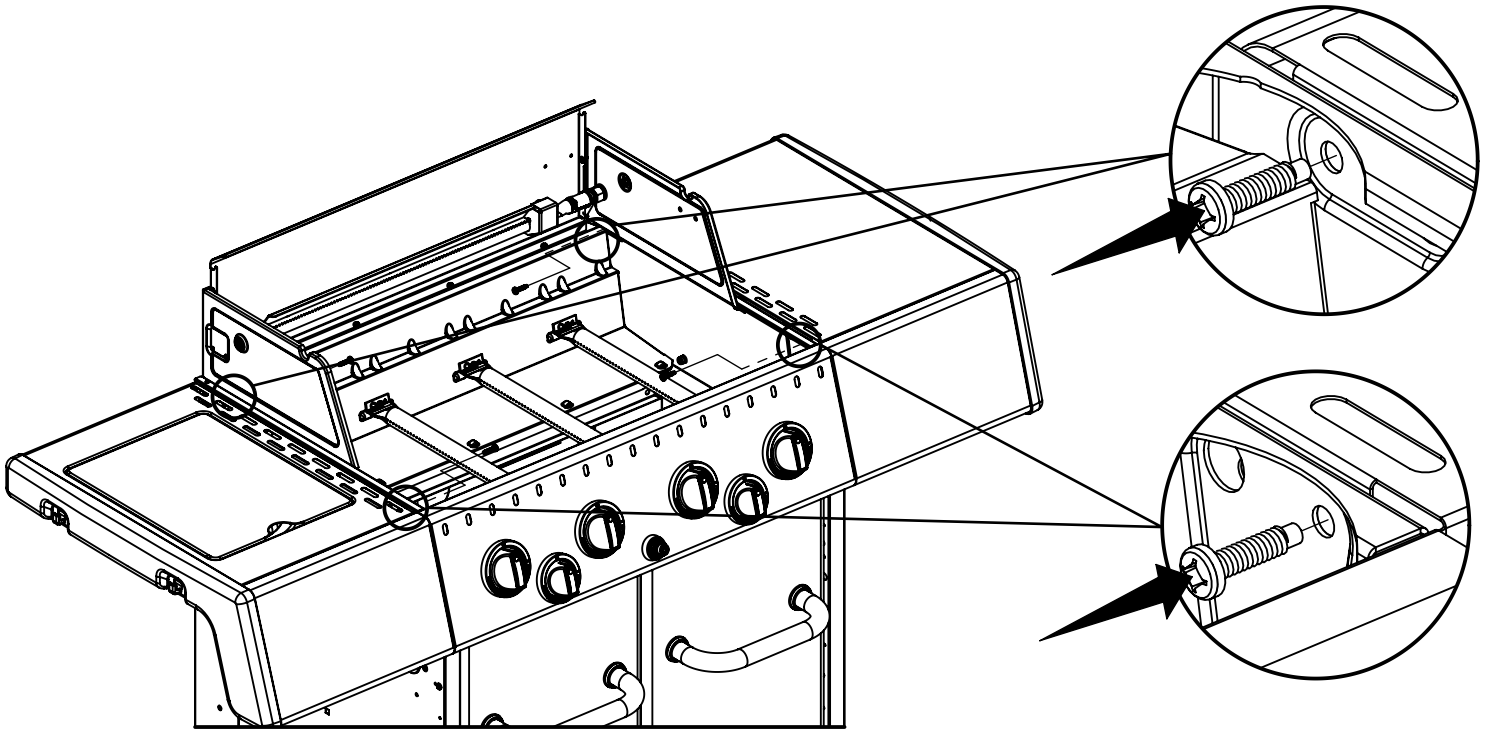


16

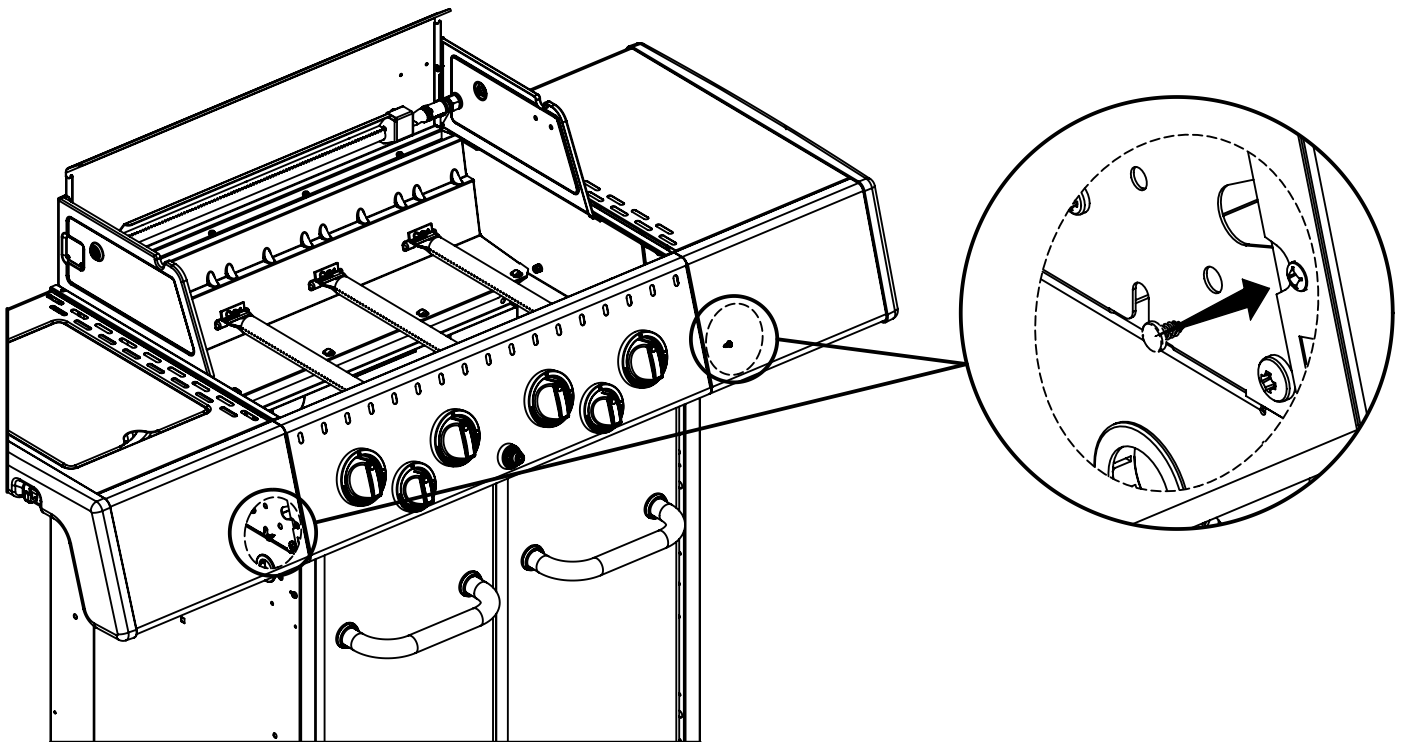


17

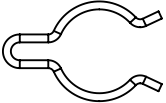
(4) 

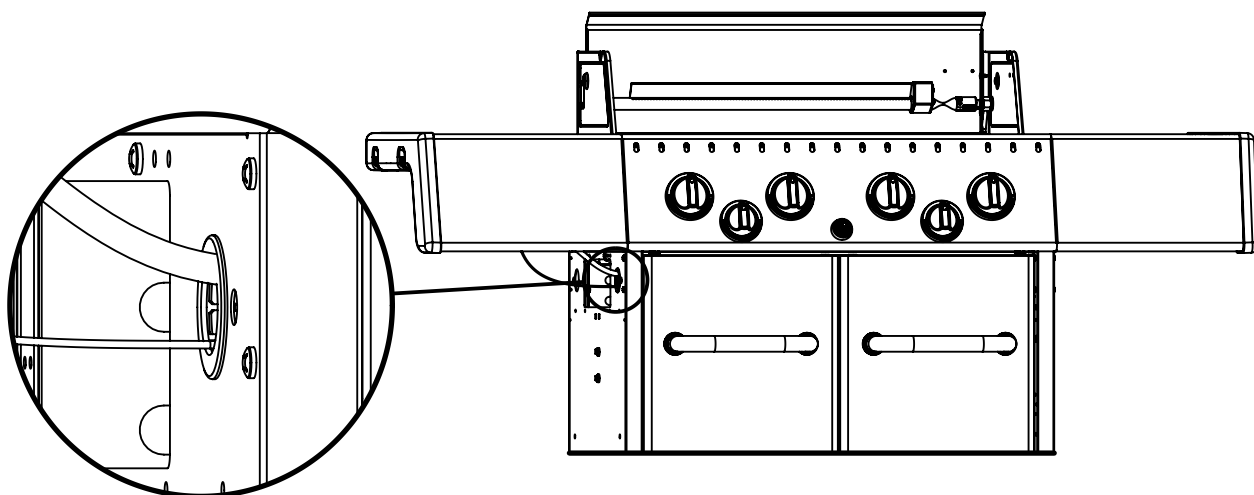
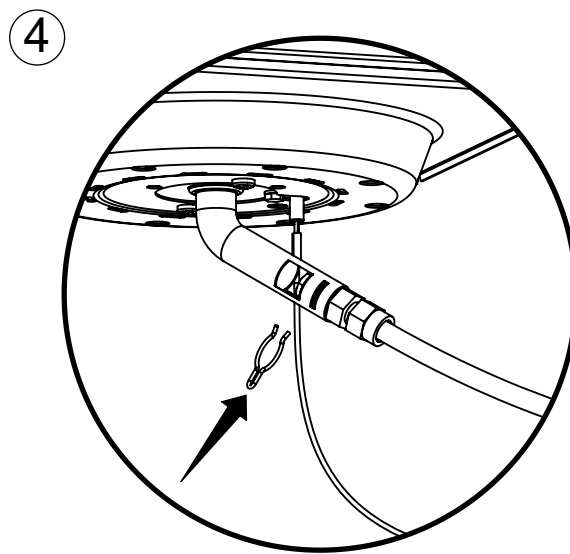
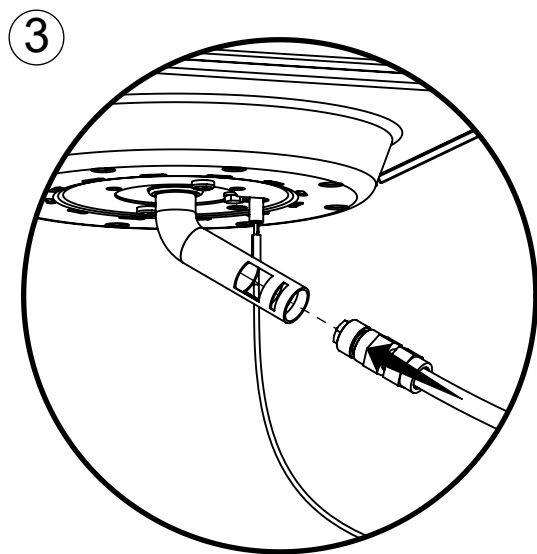
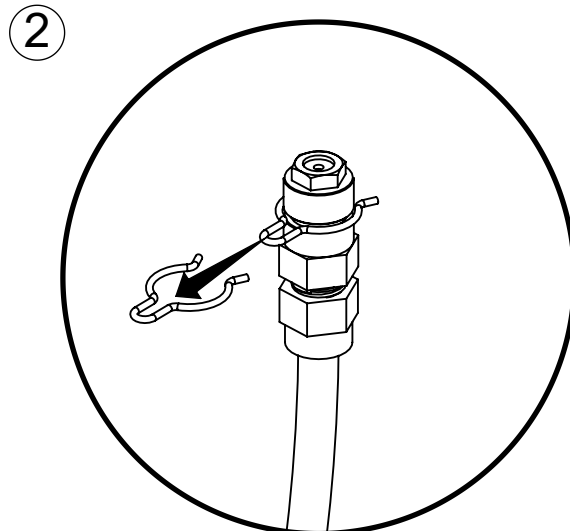
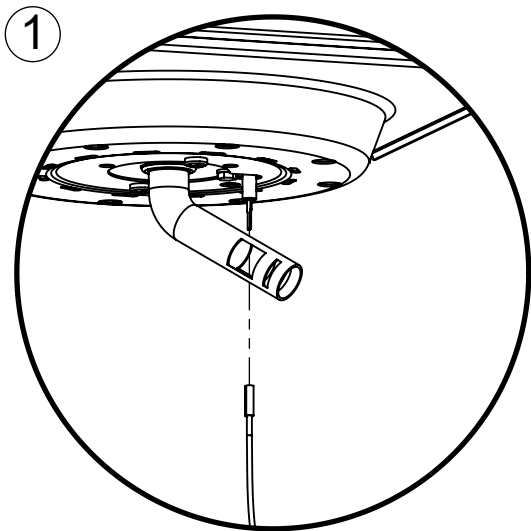


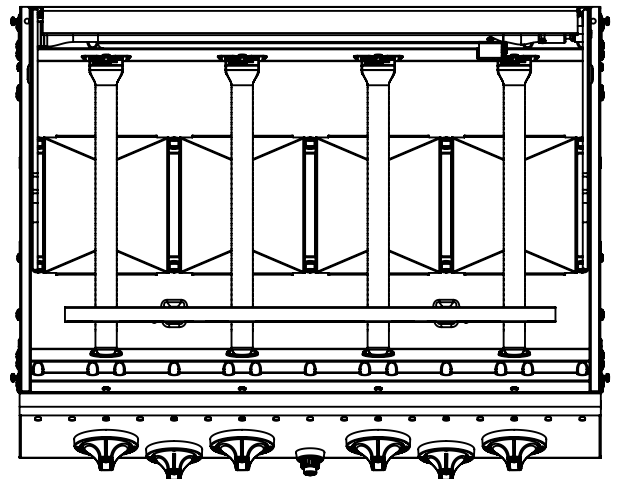
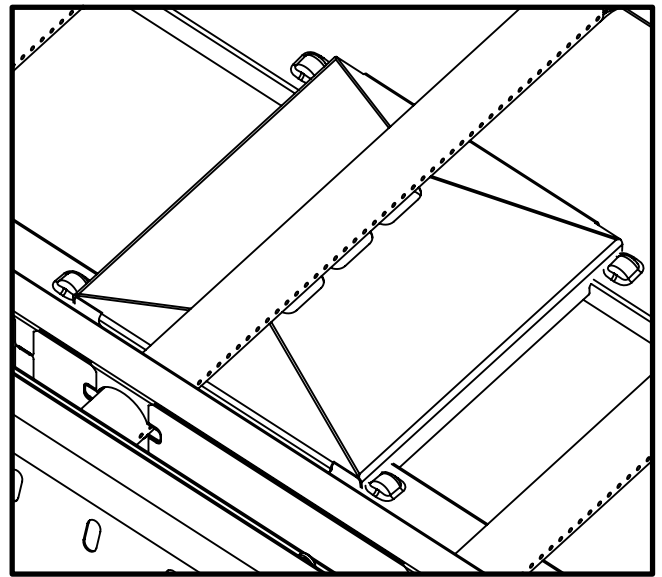
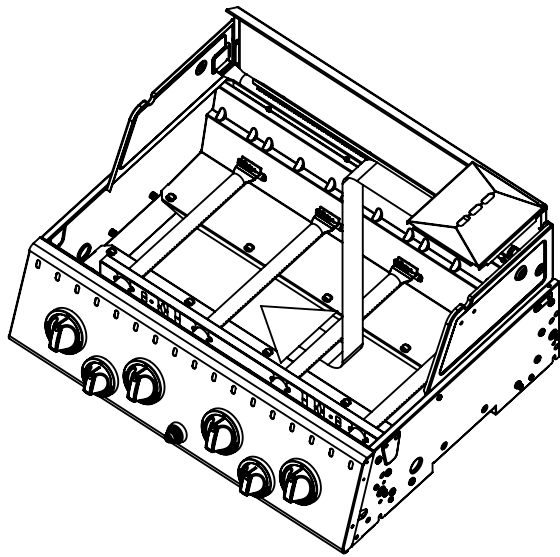
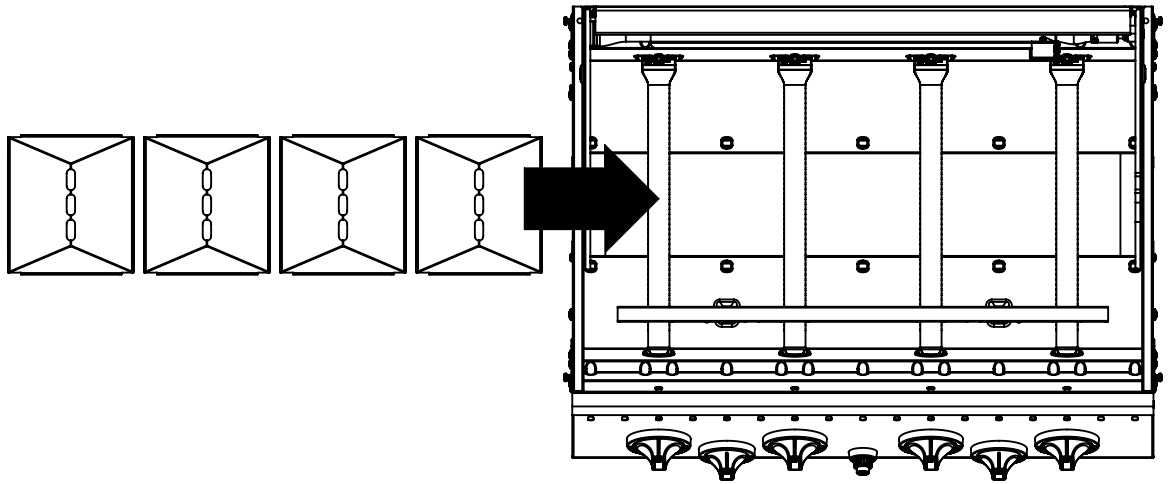
18



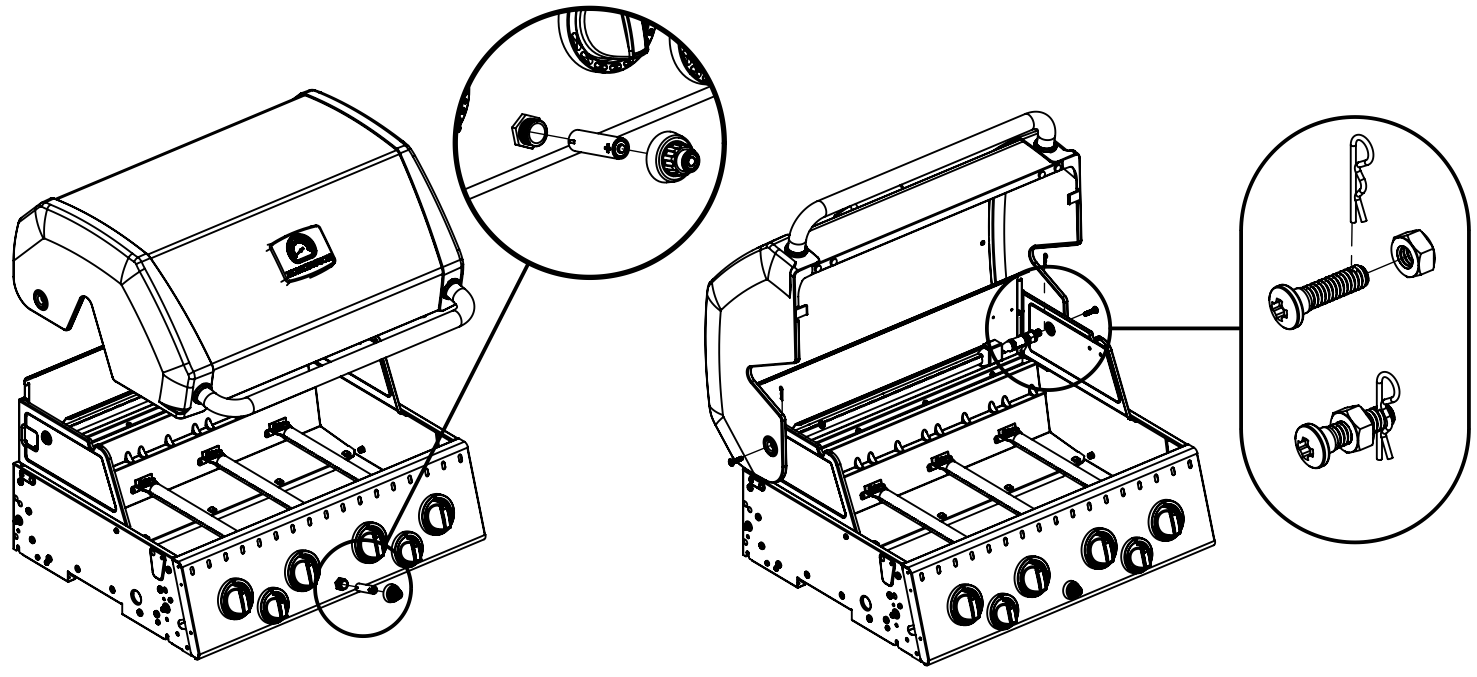
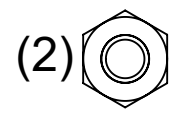
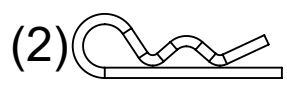
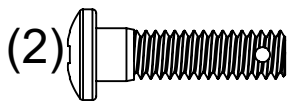
19

(1) 

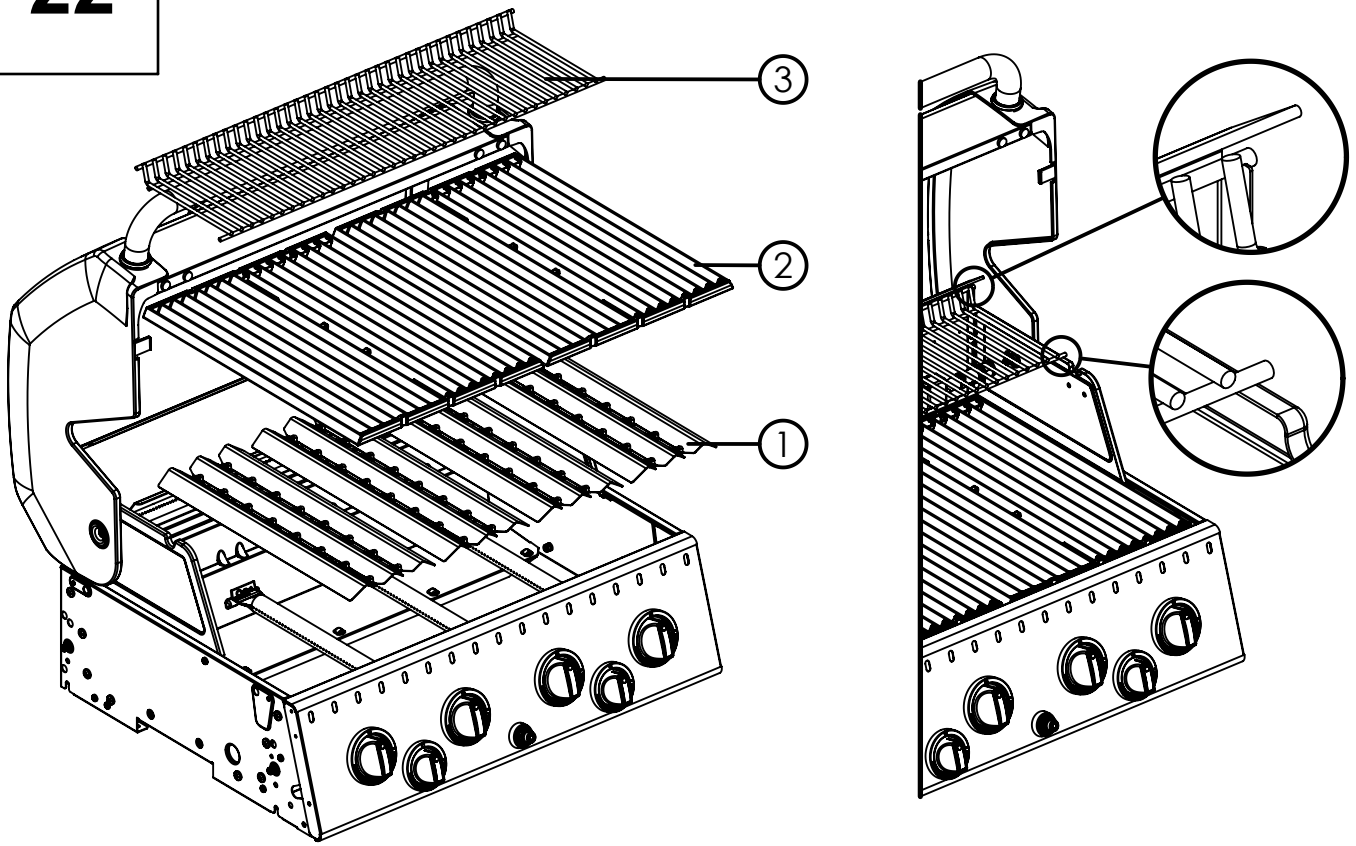




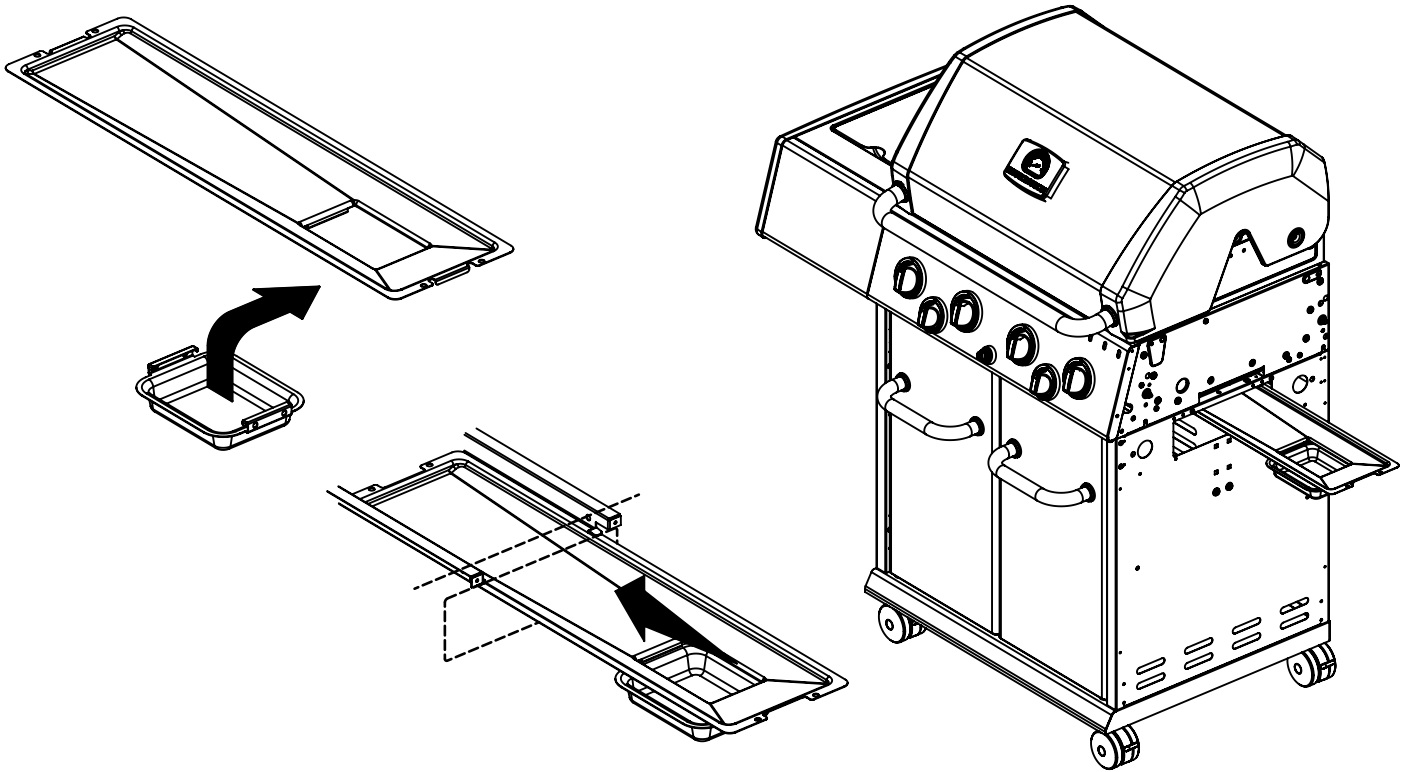
21



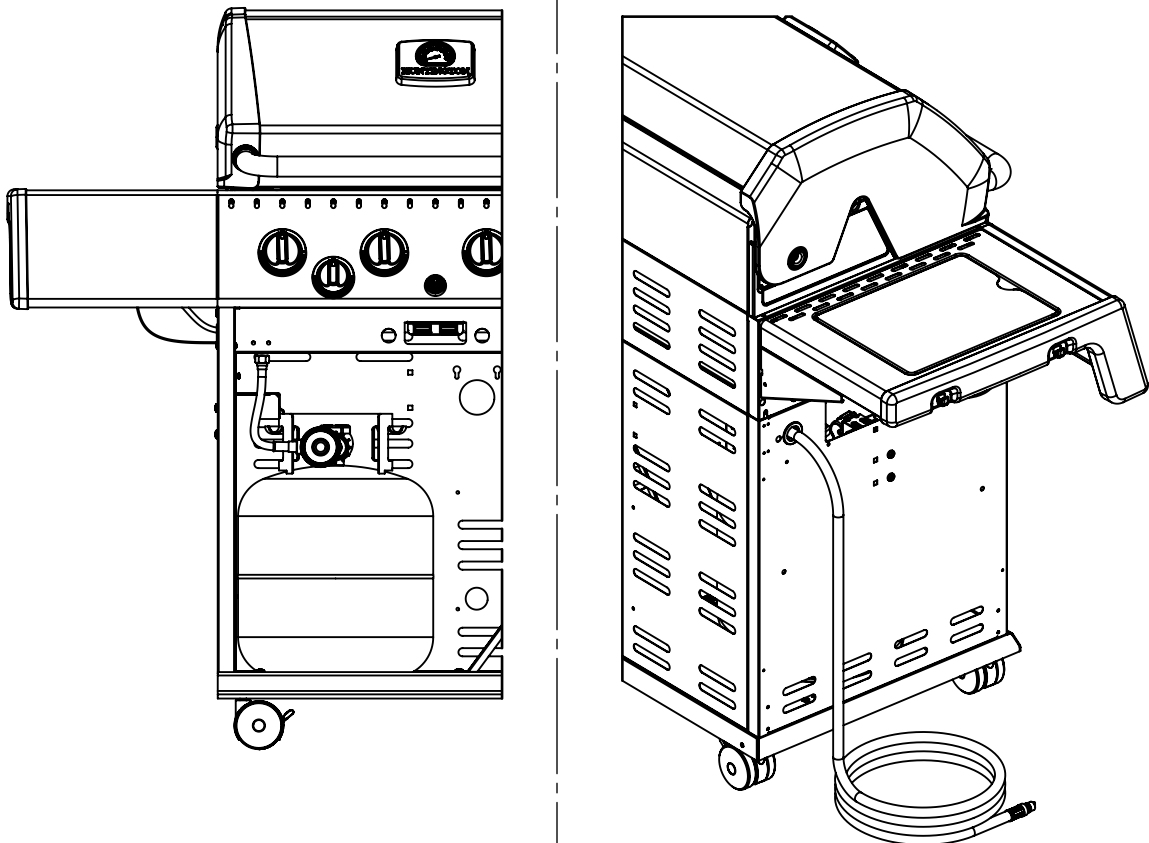
22



23

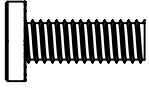


24



**25**

(2)



(2)

