

This Owner's Manual is provided and hosted by [Appliance Factory Parts](#).



# Sterling 2928-2 Owner's Manual

[Shop genuine replacement parts for Sterling 2928-2](#)



[Find Your Sterling Grill Parts - Select From 509 Models](#)

----- Manual continues below part list -----

## Available Replacement Parts for Sterling 2928-2

<a href="#">18627GC</a>	BURNER, DUAL 50,000 BTU
<a href="#">S21420</a>	PUSH NUT 3/8
<a href="#">10892-8NG</a>	WHEEL 8 INCH GREY WALL
<a href="#">10225-T627</a>	GRID SWING BASKET IMPERIAL BLACK
<a href="#">10225-T528</a>	GRID FLAT WARM RACK T50 PORC +
<a href="#">18488</a>	FLAV-R-WAVE - 50/52 BTU - SS
<a href="#">S15500</a>	IGNITOR ELECTRODE ASSY H B H BURNER
<a href="#">10711-r562</a>	SHELF LEFT C LG W/O BRACKET +
<a href="#">18013</a>	LID HEAT INDICATOR - LARGE - SS
<a href="#">S21233</a>	HITCH PIN CLIP +
<a href="#">10184-R19</a>	TANK RETAINER-PEDESTAL-NEW
<a href="#">Y-12860</a>	SCREW-THCP 1/4-20 X 1-TY-C A04
<a href="#">Y-11793</a>	NUT HEX 1/4 20 JS500 +
<a href="#">Y-12646</a>	SCREW PHCP SHL.8X1/2 TY-AB +
<a href="#">Y-12835</a>	SCREW-PHCP 6-32X1/4 TY-F JS500
<a href="#">Y-29307</a>	NUT HEX #10-24 JS500
<a href="#">10225-T10</a>	GRID PORCELAIN S/B
<a href="#">10393-K40</a>	SIDE BURNER COVER 1.86
<a href="#">10240-15</a>	HINGE PIN SIDE SHELF DROP DOWN
<a href="#">S21237</a>	HINGE PIN SPACER
<a href="#">Y-11230</a>	HAIRPIN COTTER SIDE BURNER +
<a href="#">10110-91</a>	TUBE R/B ASSY COMPR FITTING
<a href="#">S21362</a>	REAR BURNER SPRING
<a href="#">10892-15</a>	CASTER 2 1/2 INCH WHEEL KNURLED
<a href="#">Y-12673</a>	SHELF LOCK PIN
<a href="#">Y-11546</a>	SCREW PHCP 1/4-20X5/8 INCH A04#A
<a href="#">Y-11545</a>	SCREW #C TAPPING 1/4 20x1 3/8
<a href="#">Y-12855</a>	SCREW PHCP 1/4-20X3/8UNC-2A + A04 #A
<a href="#">S21014</a>	BOLT HEX CAP 1/4 20 3/4
<a href="#">S15171</a>	AXLE PLTD 3/8x18 9/16 PED +

<a href="#">Y-11795</a>	NUT LOCKING
<a href="#">S21124</a>	SCREW PHCP #8 X 12 +
<a href="#">PB20-60A</a>	S/B LID HANDLE WAGON ENCLOSER+ W/SCREWS
<a href="#">S21136</a>	SCREW #8 32x3/8 PHCP TYPE C
<a href="#">10390-E10</a>	BURNER SIDE 10BTU W/ELEC #8 +
<a href="#">10342-T14</a>	WIRE ELECTRODE S/B FLAT/ROUND+
<a href="#">Y-29304</a>	SCREW PHCP #10 24x3/8
<a href="#">10393-R50</a>	SIDE BURNER BODY 2002 +
<a href="#">10239-7</a>	HANDLE GASKET TRIANGULAR 1/8
<a href="#">S14014</a>	NAMEPLATE-STERLING
<a href="#">50416</a>	FOIL DRIP PAN - 6 X 4.75-IN - 10 PACK -
<a href="#">02342</a>	control knob; universal
<a href="#">10342-244</a>	IGNITOR ELECTRONIC +
<a href="#">10184-R80</a>	RADIATION SHIELD RAW
<a href="#">10473-T50</a>	CASTING TOP 52M
<a href="#">10184-K651</a>	SUPPORT CASTING LEFT
<a href="#">Y-11797</a>	BOLT SWING BASKET #D
<a href="#">10184-R581</a>	SHELF SUPPORT LFT BLK(18 INCH)
<a href="#">10184-R591</a>	SHELF SUPPORT RH BLK(18 INCH)
<a href="#">10472-k40</a>	KNOB ROTARY IGNITOR #B
<a href="#">S12033</a>	GRID PORCELAIN T50 HEAVY 1 OF 3
<a href="#">S14009</a>	NAMEPLATE STERLING LARGE
<a href="#">10342-245</a>	IGNITOR ELECTRONIC DUAL +
<a href="#">Y-11551</a>	SCREW 1/4-20 X1 HEX/ROB COMBO TY C RSPRT
<a href="#">10958-E71</a>	PEDESTAL RESIN BASE LRG +
<a href="#">10111-K45</a>	HOSE 3/8 INCH ASSEMBLY NG 10 FOOT +
<a href="#">Y-11990</a>	NUT HEX BRASS 3/8 27 RB LINE



**REDDI- BILT BARBECUES**

**STERLING®**

- 2928-2
- 2928-3
- 2928-6



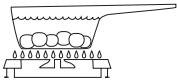
**STERLING®**

- 2929-2
- 2929-3
- 2929-6



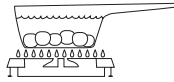
**STERLING®**

- 2948-2
- 2948-3
- 2948-6



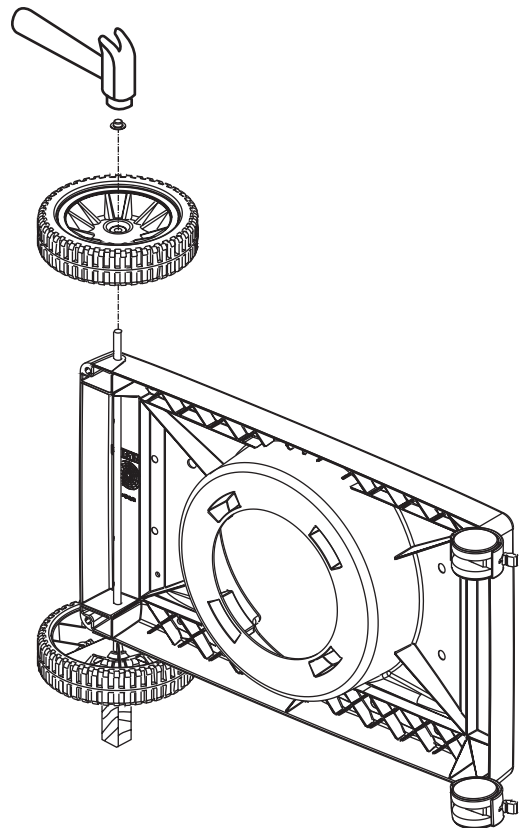
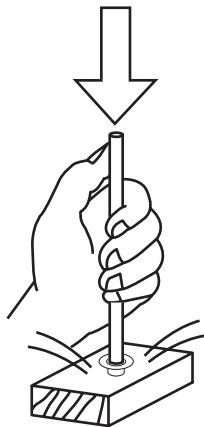
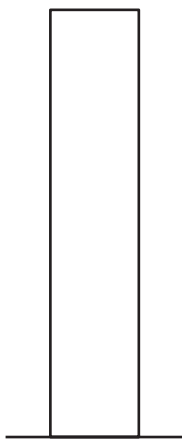
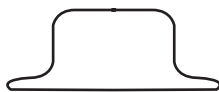
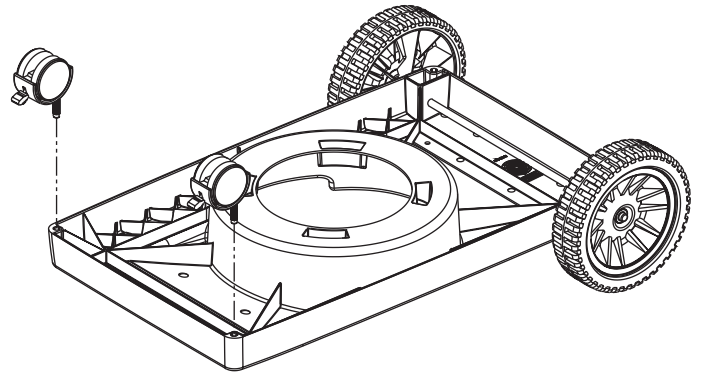
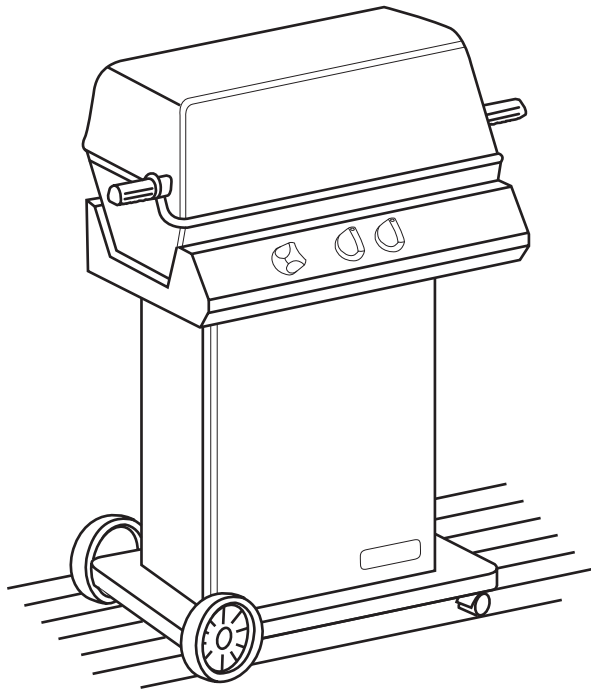
**STERLING®**

- 2949-2
- 2949-3
- 2949-6

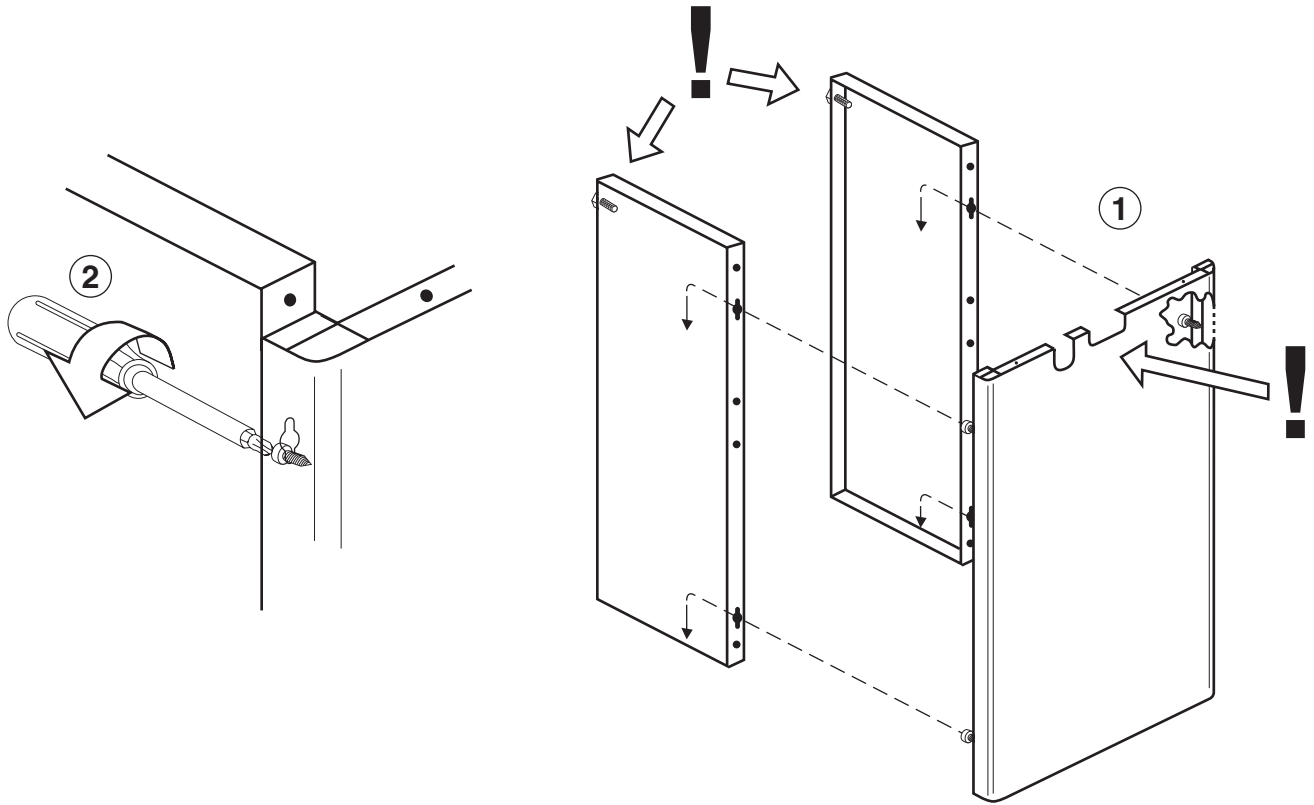


1

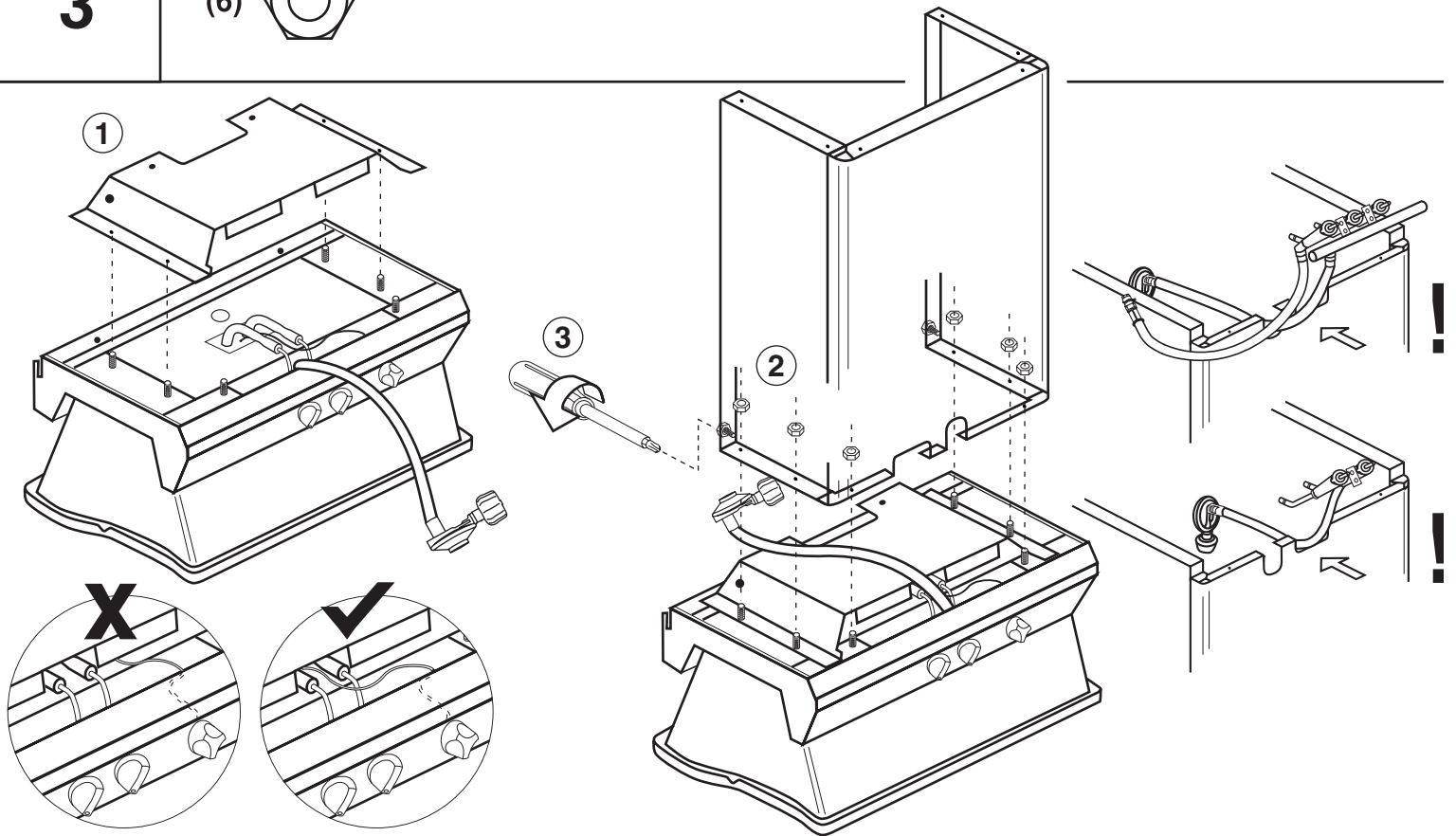
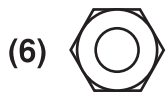
(2)



2

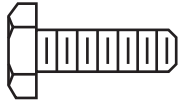


3

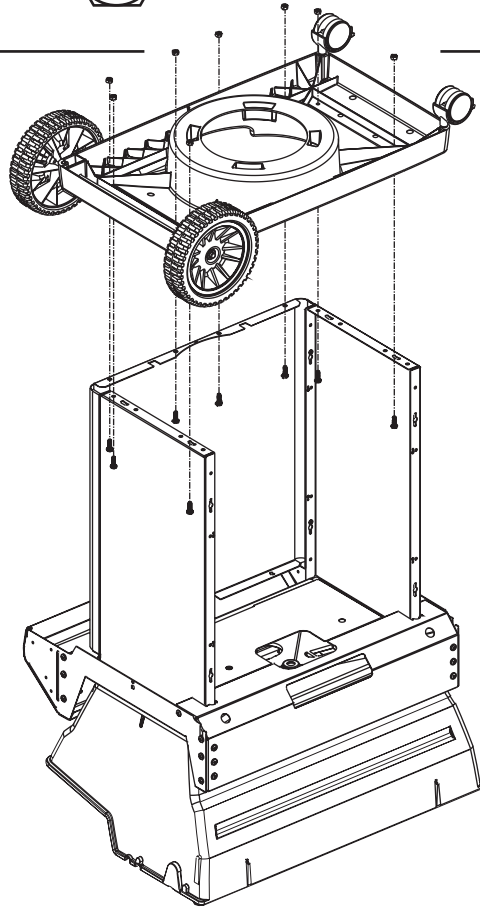


4

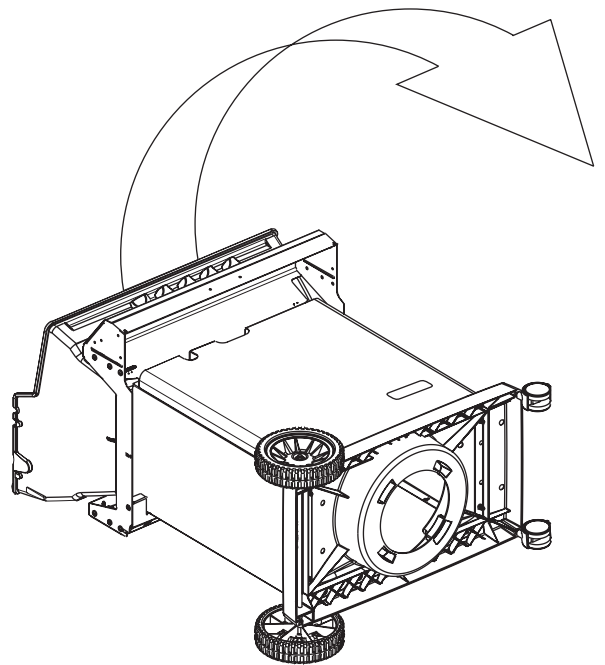
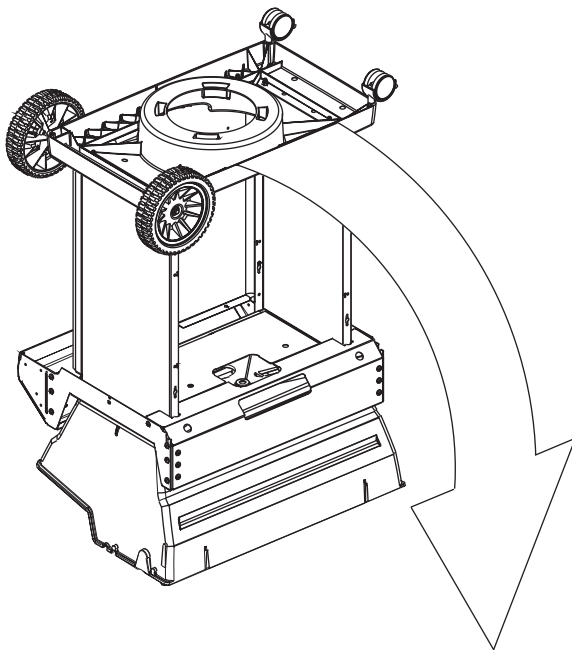
(8)



(8)

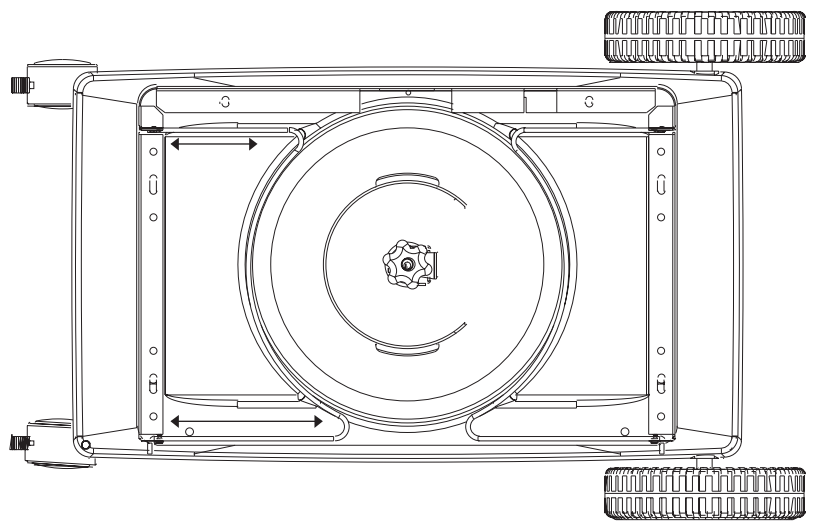
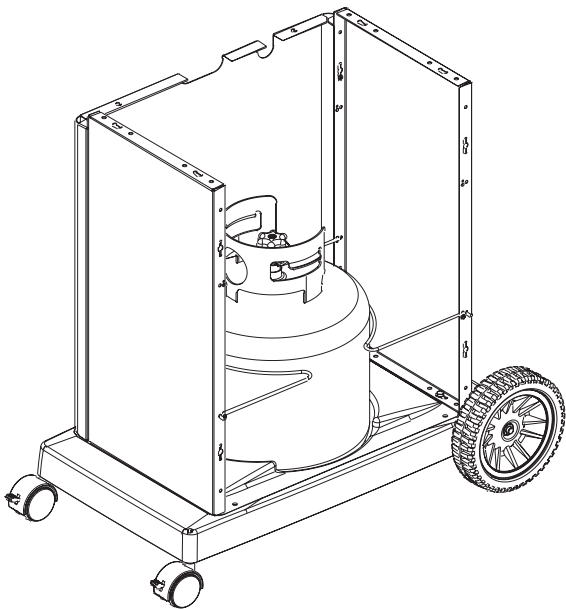
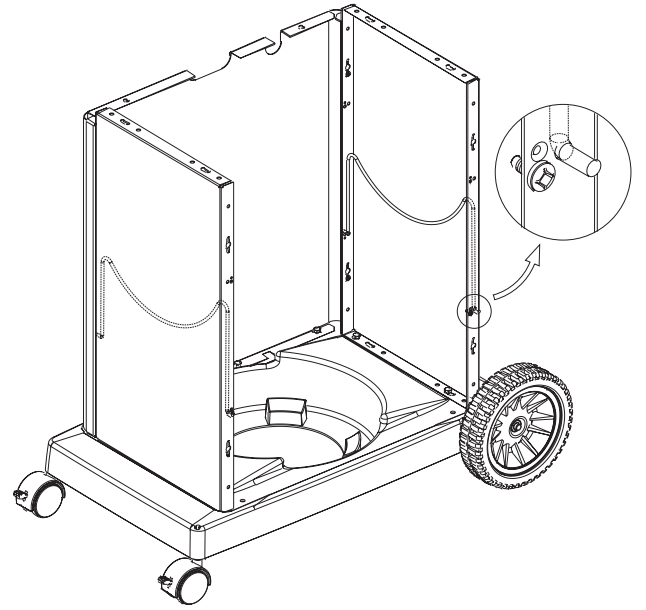
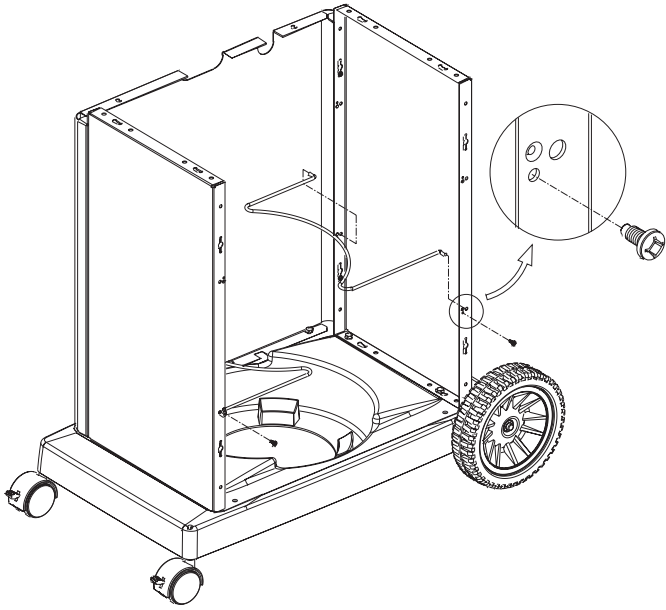


5



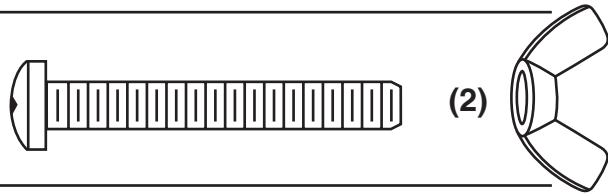
6

(2) 

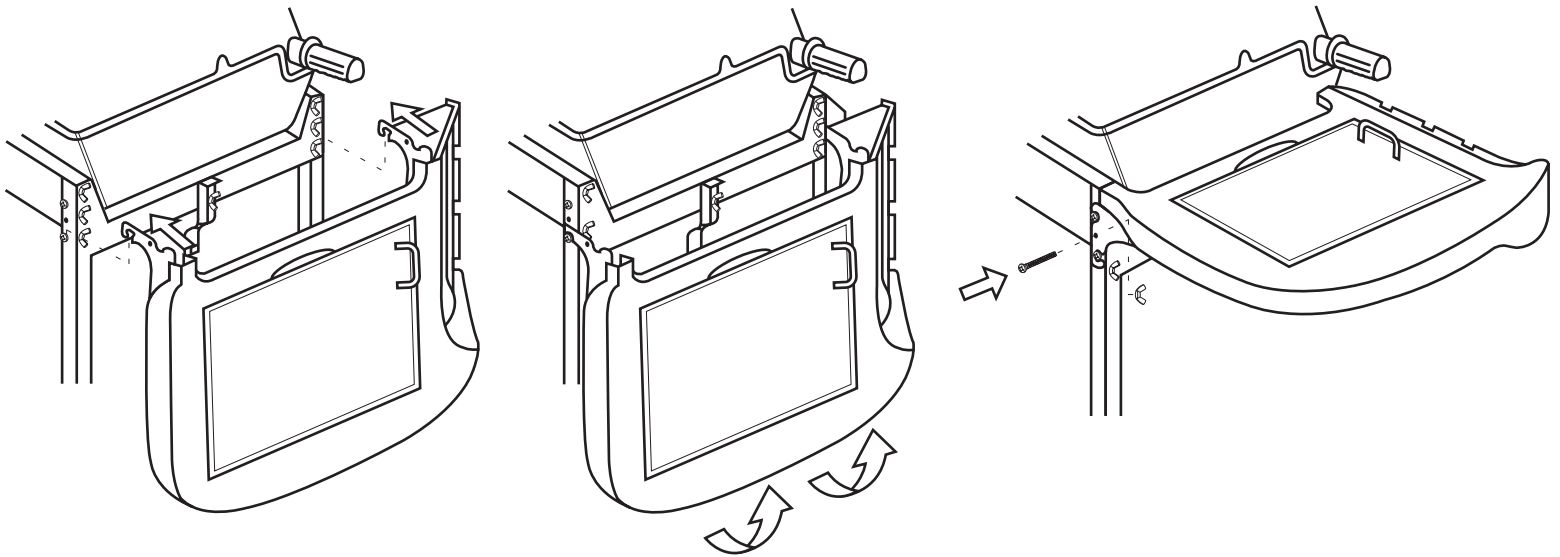
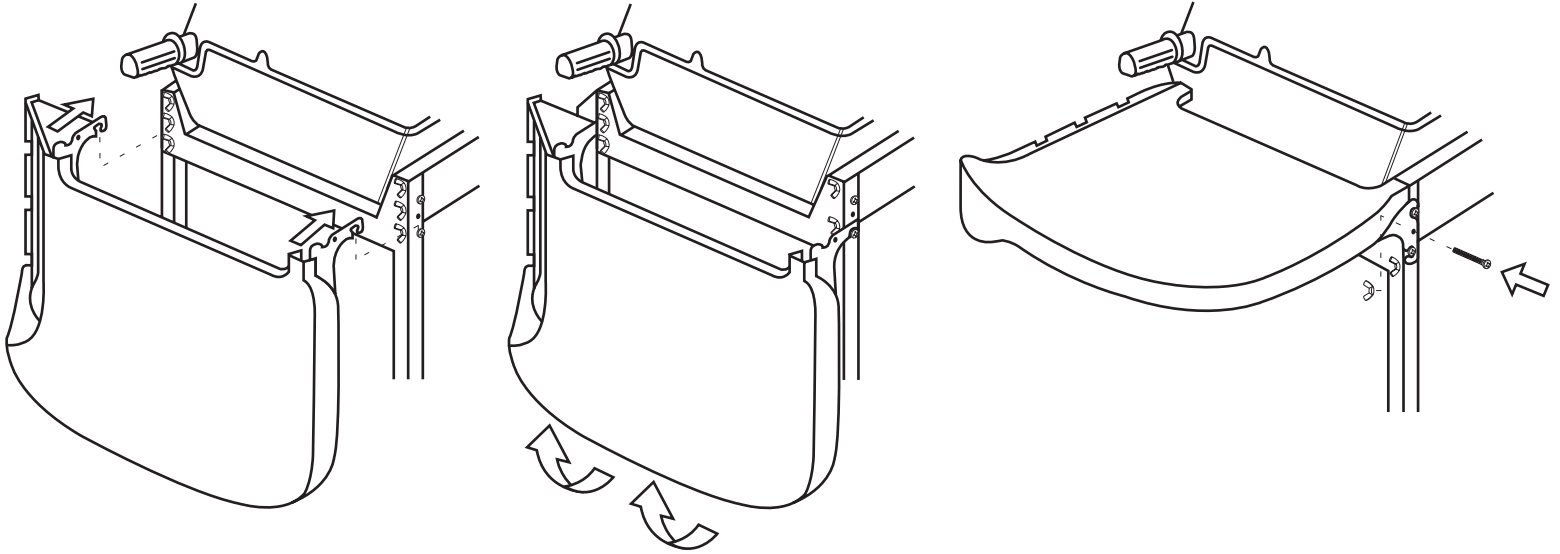


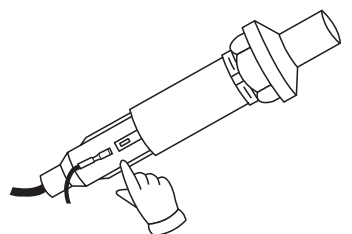
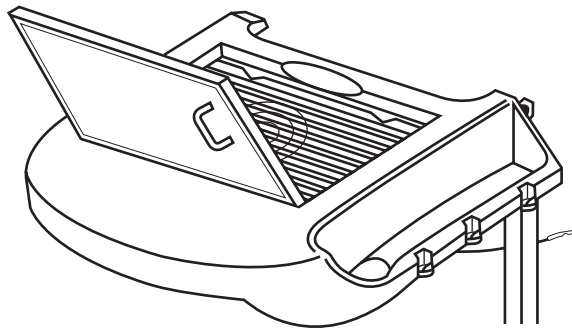
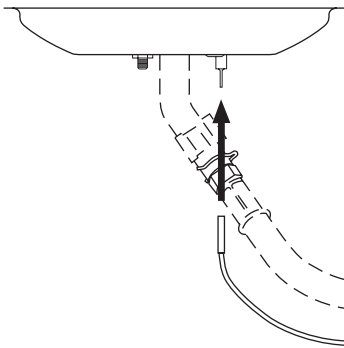
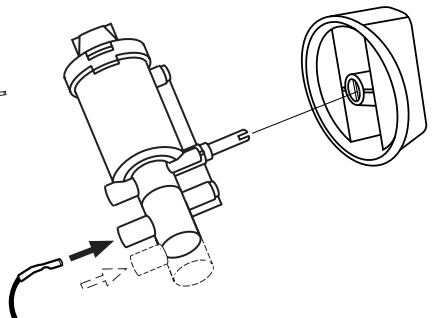
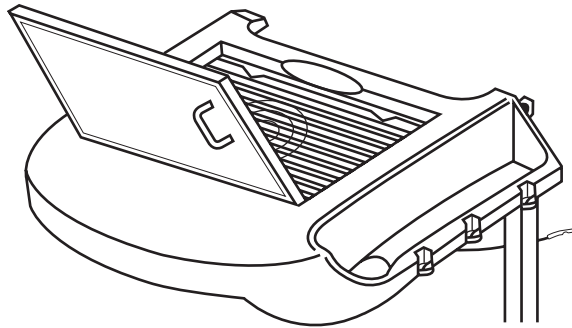
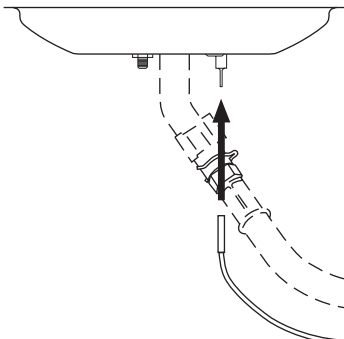
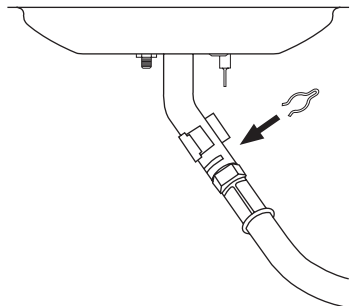
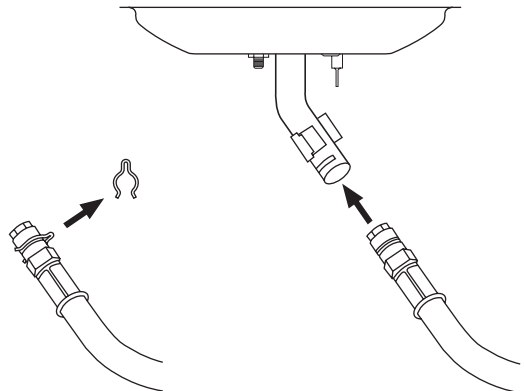
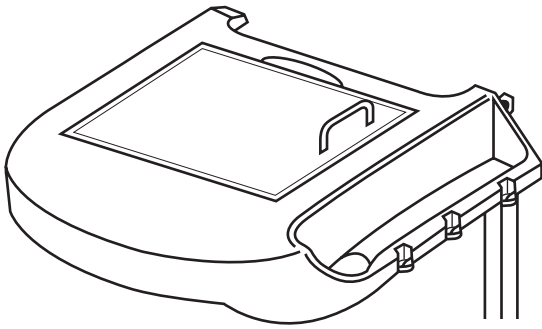
7

(2)

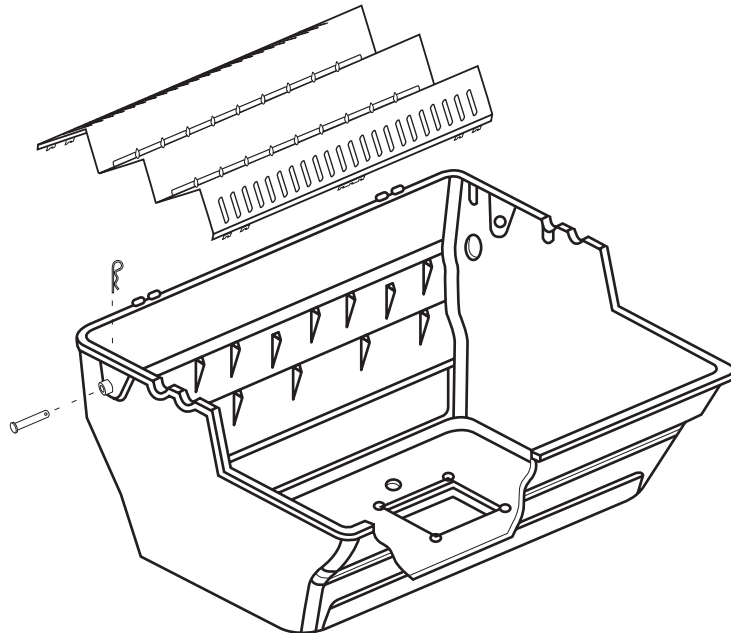
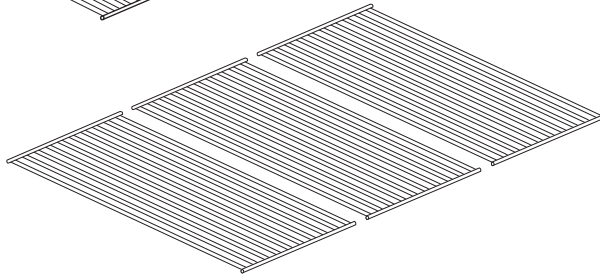
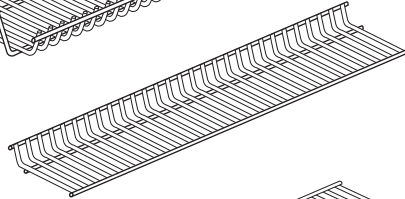
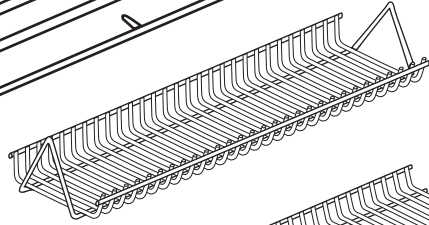
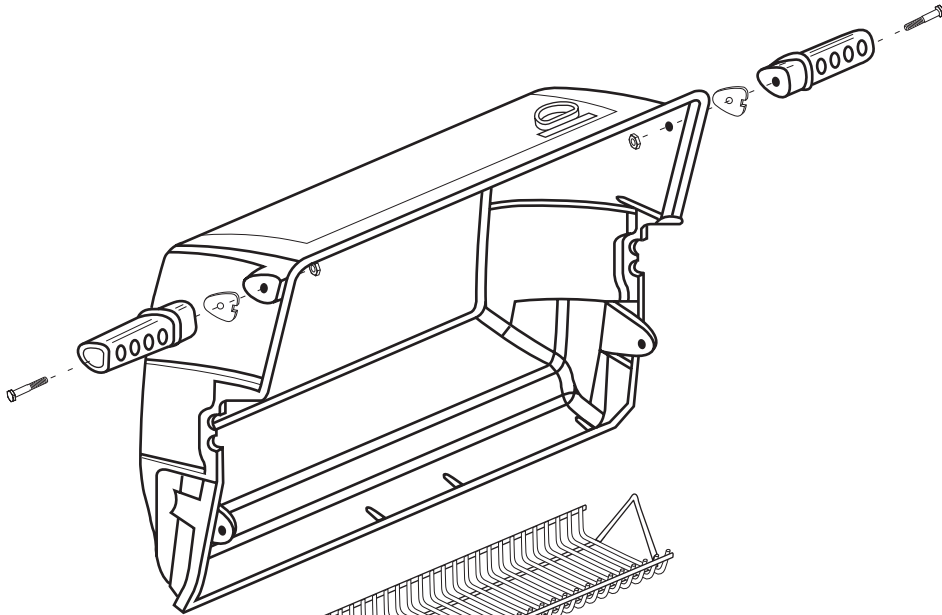
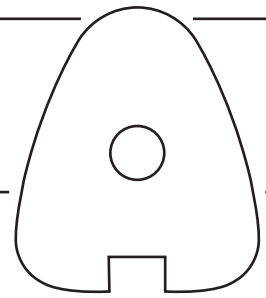
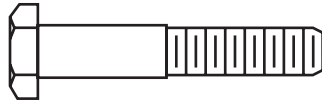
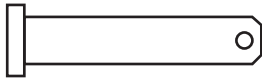


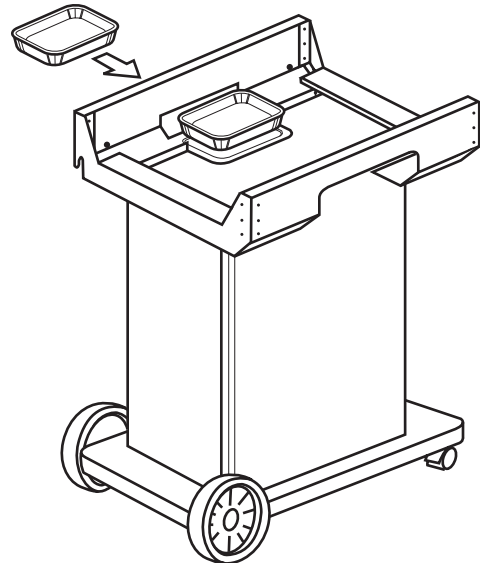
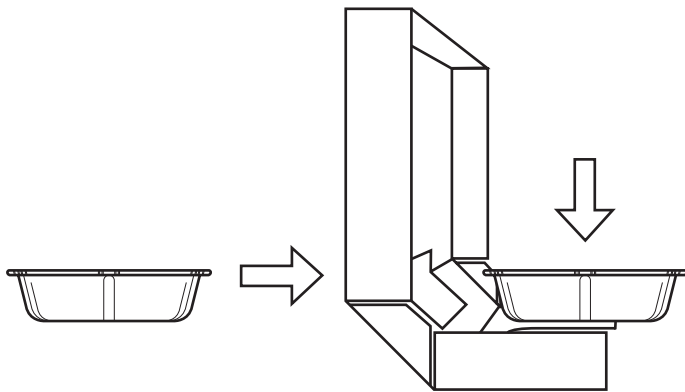
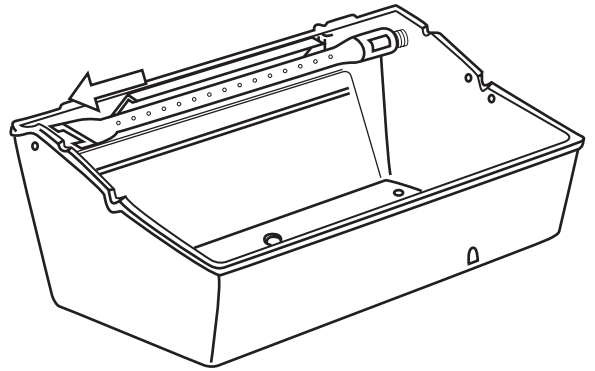
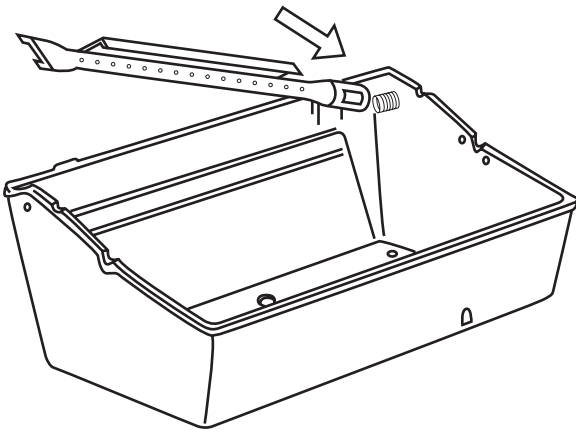
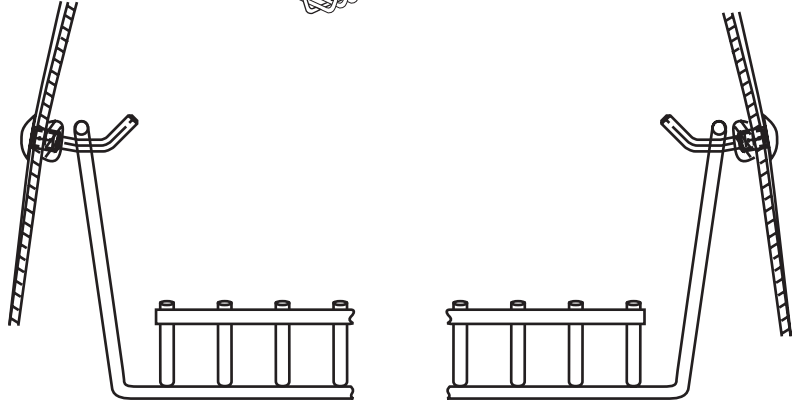
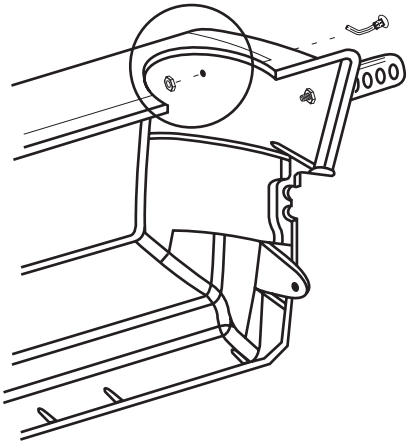
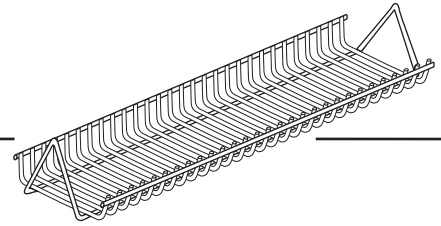
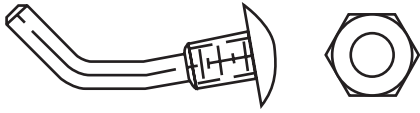
(2)





8





#	#	2928			2929			2948			2949		
		-2	-3	-6	-2	-3	-6	-2	-3	-6	-2	-3	-6
1	10909-T50	1	1	1	1	1	1	1	1	1	1	1	1
2.	10473-T50	1	1	1	1	1	1	1	1	1	1	1	1
3.	S14009	1	1	1	1	1	1	1	1	1	1	1	1
3A.	S14014	1	1	1	1	1	1	1	1	1	1	1	1
4.	10958-K70	1	1	1	1	1	1	1	1	1	1	1	1
5.	10571-6	1	1	1	1	1	1	1	1	1	1	1	1
6.	10240-15	2	2	2	2	2	2	2	2	2	2	2	2
6A.	S21237	2	2	2	2	2	2	2	2	2	2	2	2
7.	S21233	2	2	2	2	2	2	2	2	2	2	2	2
9.	S12033	3	3	3	3	3	3	3	3	3	3	3	3
10.	10222-T425	1	1	1	1	1	1	•	•	•	1	1	1
	10222-T424	•	•	•	1	1	1	1	1	1	•	•	•
11.	10225-T528	1	1	1	1	1	1	1	1	1	1	1	1
12.	10225-T627	1	1	1	1	1	1	1	1	1	1	1	1
13.	Y-11797	2	2	2	2	2	2	2	2	2	2	2	2
15.	S10017	•	1	1	•	1	1	•	1	1	•	1	1
	S10017-D	1	•	•	1	•	•	1	•	•	1	•	•
17.	10342-241	1	1	1	1	1	1	•	•	•	•	•	•
	10342-242	•	•	•	•	•	•	1	1	1	1	1	1
	10472-K40	1	1	1	1	1	1	1	1	1	1	1	1
	S21124S	2	2	2	2	2	2	2	2	2	2	2	2
18.	S15500	1	1	1	1	1	1	1	1	1	1	1	1
21.	10440-R80D	1	•	•	1	•	•	•	•	•	•	•	•
	10440-R80E	•	1	•	•	1	•	•	•	•	•	•	•
	10440-R81E	•	•	1	•	•	1	•	•	•	•	•	•
	10442-R86D	•	•	•	•	•	•	1	•	•	1	•	•
	10442-R86E	•	•	•	•	•	•	•	1	•	•	1	•
	10442-R87E	•	•	•	•	•	•	•	•	1	•	•	1
21A.	S13467-066	•	•	•	•	•	•	1	•	•	1	•	•
	S13467-079	•	•	•	•	•	•	•	1	•	•	1	•
	S13467-109	•	•	•	•	•	•	•	•	1	•	•	1
	Y-11230	•	•	•	•	•	•	1	1	1	1	1	1
21B.	10110-91	•	•	•	•	•	•	1	1	1	1	1	1
22.	S10702	1	•	•	1	•	•	1	•	•	1	•	•
	S13297	•	1	•	•	1	•	•	1	•	•	1	•
	S13299	•	1	•	•	1	•	•	1	•	•	1	•
	10111-K47	•	•	1	•	•	1	•	•	1	•	•	1
	10153-45	•	•	1	•	•	1	•	•	1	•	•	1
23.	10472-K37	2	2	2	2	2	2	4	4	4	4	4	4
30.	10086-D54EU	1	1	1	1	1	1	•	•	•	•	•	•
	10086-D57EU	•	•	•	•	•	•	1	1	1	1	1	1
30A.	10086-D63	1	1	1	1	1	1	1	1	1	1	1	1
31.	10194-R651	1	1	1	1	1	1	1	1	1	1	1	1
33.	10184-R801	1	1	1	1	1	1	1	1	1	1	1	1
35.	10184-K651	1	1	1	1	1	1	1	1	1	1	1	1
36.	10184-K661	1	1	1	1	1	1	1	1	1	1	1	1
37.	10184-R581	2	2	2	2	2	2	2	2	2	2	2	2
38.	10184-R591	2	2	2	2	2	2	2	2	2	2	2	2
39.	10958-R831	1	1	1	1	1	1	1	1	1	1	1	1
40.	10958-R81	1	1	1	1	1	1	1	1	1	1	1	1
41.	10958-K851	1	1	1	1	1	1	1	1	1	1	1	1
42.	10958-K881	1	1	1	•	•	•	1	1	1	•	•	•
	10958-K89	•	•	•	1	1	1	•	•	•	1	1	1
43.	10958-R861	2	2	2	•	•	•	2	2	2	•	•	•
	10958-R87	•	•	•	2	2	2	•	•	•	2	2	2
47.	10184-R19	2	2	2	2	2	2	2	2	2	2	2	2
50.	10711-K561	1	1	1	1	1	1	1	1	1	1	1	1
51.	10711-K562	1	1	1	1	1	1	•	•	•	•	•	•
	10711-K563	•	•	•	•	•	•	1	1	1	1	1	1
56.	10892-8	2	2	2	2	2	2	2	2	2	2	2	2
65.	S13008	•	•	•	•	•	•	1	1	1	1	1	1
68.	S21362	•	•	•	•	•	•	1	1	1	1	1	1
70.	Y-11990	•	•	•	•	•	•	1	1	1	1	1	1



