

This Owner's Manual is provided and hosted by [Appliance Factory Parts](#).



George Foreman GR18BW1Q Owner's Manual

[Shop genuine replacement parts for George Foreman
GR18BW1Q](#)



[Find Your George Foreman Grill Parts - Select From 307 Models](#)

----- Manual continues below -----

GEORGE FOREMAN®

HEALTHY COOKING



Customer Care Line:

USA/Canada
1-800-231-9786

Accessories/Parts (USA / Canada)

Accesorios/Partes (EE.UU./Canadá)

1-800-738-0245

For online customer service
and to register your product, go to
www.prodprotect.com/applica

Models Modelos

- GR18BW1Q
- GR18BWNQ
- GR18BWRQ
- GR18BWUQ

IMPORTANT SAFEGUARDS

When using electrical appliances, basic safety precautions should always be followed, including the following:

- Read all instructions.
- Do not touch hot surfaces. Use handles or knobs.
- To protect against electrical shock do not immerse cord, plugs or appliance in water or other liquid.
- Close supervision is necessary when any appliance is used by or near children.
- Unplug from outlet when not in use and before cleaning. Allow to cool before putting on or taking off parts, and before cleaning the appliance.
- Do not operate any appliance with a damaged cord or plug, or after the appliance malfunctions or has been damaged in any manner. Return appliance to the nearest authorized service facility for examination, repair or adjustment. Or, call the appropriate toll-free number on the cover of this manual.
- The use of accessory attachments not recommended by the appliance manufacturer may cause injuries.
- Do not use outdoors.
- Do not let cord hang over edge of table or counter, or touch hot surfaces.
- Do not place on or near a hot gas or electric burner, or in a heated oven.
- Extreme caution must be used when moving an appliance containing hot oil or other hot liquids.
- To disconnect, remove plug from wall outlet.
- Do not use this appliance for other than intended use.
- The appliance is only to be operated in the closed position.

SAVE THESE INSTRUCTIONS.

This product is for household use only.

POLARIZED PLUG (120V Models Only)

This appliance has a polarized plug (one blade wider than the other). To reduce the risk of electric shock, this plug will only fit into the contact one way. If the plug does not fit fully into the contact a qualified electrician. Do not attempt to force it.

TAMPER-RESISTANT SCREW

Warning: This appliance is equipped with a tamper-resistant screw on the back of the outer cover. To reduce the risk of fire or electric shock, do not remove the outer cover. There are no user-serviceable parts. For service, call an authorized service center or contact the manufacturer.

ELECTRICAL CORD

- a) A short power-supply cord (or detachable power-supply cord) should be used to reduce the risk resulting from becoming entangled or tripping over a power-supply cord.
- b) Longer detachable power-supply cords or extension cords should be used if care is exercised in their use.
- c) If a long detachable power-supply cord or extension cord is used:
 - 1) The marked electrical rating of the detachable power-supply cord or extension cord should be at least as high as that of the appliance,
 - 2) If the appliance is of the grounded type, the power-supply cord should be a grounding-type 3-wire cord, and
 - 3) The longer cord should be arranged so that it will not be under tension, on a countertop or tabletop where it can be pulled on or abused, or run over a sharp edge.

Note: If the power supply cord is damaged, it should be replaced by the manufacturer, an authorized service center, or a qualified electrician. In Latin America, by an authorized service center.

Product may vary slightly from what is illustrated.

How to Use

This product is for household use only.

GETTING STARTED

- Remove all packing material and any sticks
- Remove and save literature
- Please go to www.prodprotect.com/applic
- Wash all removable parts and/or accessories in the section of this manual.
- Wipe grill plates with a damp cloth or sponge, cloth or paper towels.
- Select location where unit is to be used, level and wall to allow heat to flow without damage.

DRIP TRAY

Place the drip tray under the front sloped section.

PREHEATING THE GRILL

1. Close cover on grill.

Note: Do not operate your grill in the open position.

2. Unwind cord and plug into standard electrical outlet.
3. The preheat indicator light comes on to indicate the grill is preheating.
4. Allow the grill to preheat (approximately 5 minutes). When the preheat temperature is reached, the preheat indicator light will turn off.

GRILLING

1. Using a pot holder, carefully open the preheated grill.
2. Before first use, if desired, lightly oil grill plates.

Note: Aerosol cooking spray should not be used. Do not allow spray to come out of can build up on surface. This will reduce efficiency.

3. Carefully place foods to be cooked on lower grill plate. Grill 1 to 3 servings.

Note: Do not overload grill.

4. Close lid.

Note: Do not operate your grill in the open position.

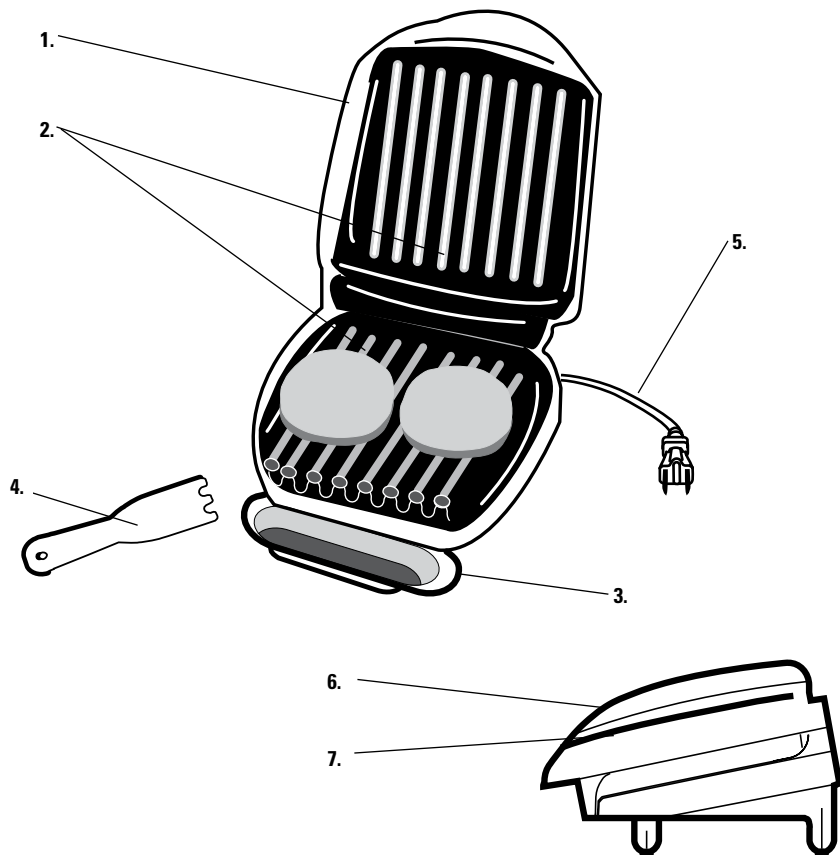
5. Use suggested cooking times found in the recipe section. If desired, use a kitchen timer.

Important: Do not leave the appliance unattended.

6. Light pressure can be used on the handle to open the grill.

Important: Do not use heavy pressure on the handle.

7. After selected time, the food should be done. Simply following the steps, beginning at step 1.
8. Using a pot holder, carefully open the grill.



1. Grill cover (lid)
2. Grill plates
- † 3. Drip tray (Part # 21516W)
- † 4. Spatula (Part # 20147W)
5. Power cord
- † 6. Bun warmer lid (Part #21715)
- † 7. Lid latch (Part #21362)

Note: † indicates consumer replaceable/removable parts

9. Remove cooked food using plastic spatula provided.

Note: Always use heatproof plastic, nylon or wood utensils to avoid scratching nonstick surface of grill plates. Never use metal skewers, tongs, forks or knives.

Important: Heat continues to be ON until grill is unplugged.

10. Allow drip tray to cool before removing it from under grill. Wash and dry drip tray after each use.

SUGGESTED GRILLING CHART

The following are meant to be used as a guideline only. The times reflect a full grill of food. Cooking time will depend upon thickness and cut being used. Use a cooking thermometer as a test for doneness. If the food needs longer cooking, check periodically to avoid overcooking the food.

FOOD	COOKING TIME	COMMENTS
MEAT		
Hamburger (5 oz.) Fresh	4 – 6 minutes	¾-inch thick
Frozen	5 – 6 minutes	Cooked to medium (160°F)
Flank steak (¾ lb.)	6 – 8 minutes	¾-inch thick
Skirt steak (½ lb.)	4 – 6 minutes	Cooked to medium rare (145°F)
NY strip steak (shell steak) (6 oz.)	6 – 8 minutes	Cooked to medium (160°F)
Beef tenderloin (5 oz.)	4 – 6 minutes	¾-inch thick
Beef kabobs	5 – 7 minutes	Cooked to medium rare (145°F)
Pork loin chops, boneless	4 – 6 minutes	Cooked to medium (160°F)
Pork loin chops, bone in	4 – 6 minutes	¾-inch thick
Sausage, link or patty	4 – 6 minutes	Cooked to 160°F
Hot dogs	4 – 5 minutes	Cooked to 168°F
Bacon	6 – 8 minutes	
Smoked pork loin chops, boneless	4 – 6 minutes	Cooked to 160°F
Lamb chops, loin	5 – 7 minutes	¾-inch thick
		Cooked to medium (160°F)

FOOD	COOKING TIME
POULTRY	
Chicken breast, boneless and skinless (8 oz.)	11 – 13 minutes
Chicken tenderloins 4 to 6 pieces	4 – 6 minutes
Turkey tenderloin (½ lb.)	9 – 11 minutes
Turkey burgers (5 oz.)	4 – 6 minutes
FISH	
Tilapia fillets (6 oz., ea.)	5 – 7 minutes
Trout fillet 6 oz.	4 – 6 minutes
Salmon fillet (8 oz. piece)	5 – 7 minutes
Salmon steak (6 – 8 oz.)	7 – 9 minutes
Tuna steak (6 oz.)	4 – 6 minutes
Shrimp	3 – 4 minutes

Please note: To be sure your food is fully cooked the USDA recommends the following guidelines. Use a kitchen timer. Using a meat thermometer, test for doneness by inserting the meat thermometer into the center of the food being cooked and make sure the thermometer is not touching the bone or grill plates.

FOOD TO BE COOKED	MEDIUM		WELL DONE OR FULLY COOKED	
Chicken Breast			170°F	77°C
Chicken Thigh			180°F	82°C
Beef / Lamb/Veal	160°F	71°C	170°F	77°C
Pork			160°F	71°C
Reheated cooked meats and poultry			165°F	74°C

GRILLING FRUITS AND VEGETABLES

The following are meant to be used as a guideline only. The times reflect a full grill of food. Cooking time will depend upon thickness of food. Use a fork inserted into the center of the food to test for doneness. (Be careful not to touch the grilling plate.) If the food needs longer cooking, check periodically to avoid overcooking the food.

FOOD	GRILLING TIME
Asparagus Spears	4 – 6 minutes
Bell peppers, assorted colors cut into ½-inch rings	5 – 7 minutes
Mushrooms , thickly sliced	4 – 5 minutes
Onion slices, ½-inch	5 – 7 minutes
Potato slices, ½-inch	15 – 18 minutes
Portabella mushrooms, 3-inch diameter	4 – 6 minutes
Zucchini slices, ½-inch	3 – 4 minutes
Fresh pineapple slices, ½-inch	2 – 4 minutes

GRILLING TIPS:

- To prevent heat loss and for even cooking, do not open the lid frequently.
- Do not overfill grill.
- When first cooking a particular food, check for doneness several minutes before suggested time; if necessary adjust time.
- When cooking several pieces of food, try to have them similar in size and thickness.
- Remember that since grill is cooking from both sides cooking time will typically be shorter than expected. Watch carefully to avoid overcooking.
- For added flavor, add dry seasonings before grilling or marinate foods before cooking.

Important: Use only heatproof plastic and wooden utensils when cooking on the grill. Silicone utensils are especially good because they do not discolor or melt with the high temperature.

USING THE BUN WARMER

The grills come equipped with a bun warmer. kinds of bread products (hamburger buns, braided bread, sliced bagels and mini croissants). For you can place your hamburger buns inside the bun warmer.

Caution: The bun warmer should be used to warm bread only. It is not intended for defrosting.

Important: The bun warmer cannot hold very thick bread, you may have to cut it (butterfly) to fit.

To use the bun warmer:

Bun warmer cover

Lid latch



1. Lift up the lid latch (where it says "LIFT TO OPEN").
2. Place the bread product inside the bun warmer.
3. When bread is in place, close the lid by lifting the lid latch into place.

Important: Never force the lid closed. Press gently.

4. Allow 2-3 minutes after the grill has warmed up to warm bread products in the bun warmer that have been pre-warmed.

Caution: The bun warmer does not have a separate warming element. To warm some bread, but do not want to cook anything on the grill will be on and will become very hot.

Warning: Do not keep cooked food (such as meat) in the bun warmer! The bun warmer is for bread only.

Note: The bun warmer cover is specially designed for use. The lid is removable; you can take it off for easy access. To remove the cover, raise the cover to an angle by lifting the cover at the two hinge connections. To reassemble, follow this procedure to reassemble.

Care and Cleaning

This appliance contains no user-serviceable parts. Refer service to qualified service personnel.

CLEANING

Caution: To avoid accidental burns, allow grill to cool thoroughly before cleaning.

1. Before cleaning, unplug grill from wall outlet and allow to cool.

Important: Heating elements will continue to be ON until the On/Off switch is pressed or the appliance is unplugged.

2. Place drip tray under front of grill. Use plastic spatula to scrape off any excess fat and food particles left on the grill plates; runoff will drip into the drip tray.

3. Use a warm, soapy sponge to wipe plates clean, then rinse sponge and wipe again to remove any soapy residue. Dry thoroughly with an absorbent paper towel.

4. To remove stubborn buildup, use a plastic or nonmetallic scrubbing pad to clean the grill plates.

Important: Do not use metallic scrubbing pads, steel wool or any abrasive cleaners to clean any part of your grill; use only nylon or nonmetallic scrubbing pads.

5. Empty drip tray and wash in warm, soapy water; dry thoroughly with a paper towel or cloth.

6. To clean the grill cover, wipe with a warm, damp sponge and dry with a soft, dry cloth.

Important: Do not immerse body of grill in water or any other liquid.

7. Any servicing requiring disassembly other than the above cleaning must be preformed by a qualified electrician.

Caution: Make sure to hold grill cover by the handle while cleaning to prevent accidental closing and injury.

STORAGE

- Always make sure grill is clean and dry before storing.

TROUBLESHOOTING

PROBLEM	POSSIBLE CAUSE
Finish on grill plates is scratched or has cut marks.	Metal utensils have been used.
Grill marks on food are very light. The food looks steamed.	Grill was not fully preheated before use.
There is food buildup on grill plates.	Grill not properly cleaned after use.
Food is dry and burnt.	Food is overcooked.
Grill does not turn on.	Grill is not plugged in.

Por favor lea este instructivo antes de usar el producto

INSTRUCCIONES IMPORTANTES DE SEGURIDAD

Cuando se usan aparatos eléctricos, siempre se deben respetar las siguientes medidas básicas de seguridad:

- Por favor lea todas las instrucciones.
- No toque las superficies calientes. Use las asas o las perillas.
- A fin de protegerse contra un choque eléctrico y lesiones a las personas, no sumerja el cable, los enchufes ni el aparato en agua ni en ningún otro líquido.
- Todo aparato eléctrico usado en la presencia de los niños o por ellos mismos requiere la supervisión de un adulto.
- Desconecte el aparato del tomacorriente cuando no esté en uso y antes de limpiarlo. Espere que el aparato se enfríe antes de instalarle o retirarle piezas y antes de limpiarlo.
- No use ningún aparato eléctrico que tenga el cable o el enchufe averiado, que presente un problema de funcionamiento o que esté dañado. Acuda a un centro de servicio autorizado para que lo examinen, reparen o ajusten o llame gratis al número correspondiente en la cubierta de este manual.
- El uso de accesorios no recomendados por el fabricante del aparato puede ocasionar incendio, choque eléctrico o lesiones a las personas.
- No use este aparato a la intemperie.
- No permita que el cable cuelgue del borde de la mesa o del mostrador ni que entre en contacto con superficies calientes.
- No coloque el aparato sobre ni cerca de las hornillas de gas o eléctricas ni adentro de un horno caliente.
- Tome mucha precaución al mover de un lugar a otro un aparato que contenga aceite u otros líquidos calientes.
- Para desconectar, retire el enchufe del tomacorriente.
- Este aparato se debe usar únicamente con el fin previsto.
- Este aparato solo debe dejarse funcionar en posición cerrada.

CONSERVE ESTAS INSTRUCCIONES.

Este aparato eléctrico es para uso doméstico solamente.

ENCHUFE POLARIZADO (Solamente para los

Este aparato cuenta con un enchufe polarizado. A fin de reducir el riesgo de un choque eléctrico, corriente polarizada en un solo sentido. Si el enchufe no encaja, inviértalo y si aun así no encaja, consulte con un electricista para alterar esta medida de seguridad.

TORNILLO DE SEGURIDAD

Advertencia: Este aparato cuenta con un tornillo de seguridad en la cubierta exterior del mismo. A fin de reducir el riesgo de lesiones eléctricas, por favor no trate de remover la cubierta exterior. Este aparato contiene piezas reparables por el consumidor. Para reparaciones, consulte únicamente por personal de servicio autorizado.

CABLE ELÉCTRICO

- a) El producto se debe proporcionar con un cable de extensión a fin de reducir el riesgo de tropezar o de caídas.
- b) Existen cables eléctricos más largos y separables que pueden utilizarse si se toma el cuidado debido.
- c) Si se utiliza un cable separable o de extensión:
 - 1) El régimen nominal del cable separable o de extensión debe ser, como mínimo, igual al del régimen nominal del aparato.
 - 2) Si el aparato es de conexión a tierra, el cable de tres alambres de conexión a tierra debe utilizarse.
 - 3) Uno debe acomodar el cable más largo en el mostrador o de la mesa, para evitar que alguien se tropiece.

Nota: Si el cordón de alimentación no funciona correctamente, debe ser sustituido por personal calificado.

El producto puede variar ligeramente del que aparece ilustrado aquí

Como usar

Este producto es para uso doméstico únicamente.

PRIMEROS PASOS

- Elimine todo el material de embalaje y las etiquetas.
- Retire y conserve el material de lectura.
- Vaya a www.prodprotect.com/applica para obtener más información.
- Lave la bandeja de goteo y espátula según se indica en el capítulo de mantenimiento de este manual.
- Desempolve las placas de la parrilla con un paño suave o con toallas de papel.
- Seleccione el lugar donde se utilizará este producto, evitando colocarlo entre la parte de atrás del aparato y la parte de los armarios y paredes.

BANDEJA DE GOTEO

Coloque la bandeja de goteo debajo de la parte de atrás de la parrilla.

PRECALENTAMIENTO DE LA PARRILLA

1. Cierra la tapa de la parrilla.
- Nota:** No utilice esta parrilla cuando está abierta.
2. Desenrolle el cable y enchúfelo a un tomacorriente.
3. La luz indicadora de precalentamiento se enciende cuando las placas de calefacción han sido activados.
4. Precaliente la parrilla por lo menos 5 minutos antes de usarla. Use un cronómetro de cocina.

ALIMENTOS A LA PARRILLA

1. Con un agarrador, abra cuidadosamente la tapa de la parrilla.
2. Antes del primer uso, aceite ligeramente la parrilla.
- Nota:** Nunca use rociadores de cocinar sobre las placas. Los químicos de los rociadores, se acumulan y reducen la eficiencia de las placas.
3. Coloque cuidadosamente los alimentos que desea cocinar en la parrilla precalentada. En esta parrilla por lo menos cocine los alimentos.

Nota: No sobrecargue la placa de cocción.

4. Cierre la tapa.

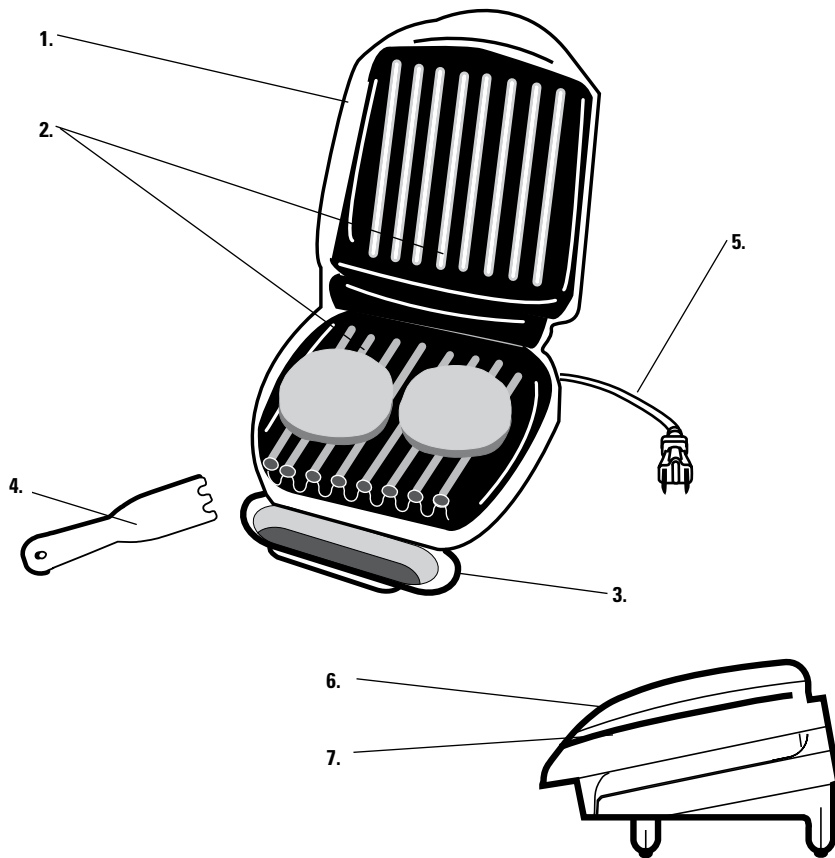
Nota: No utilice esta parrilla cuando está abierta.

5. Use los tiempos de cocción sugeridos que se encuentran en las páginas 16, 17 y 18. Si desea, puede usar un cronómetro de cocina.

Importante: No deje el electrodoméstico sin supervisión.

6. Se puede ejercer una presión ligera en el producto para ajustarlo a su agrado.

Importante: Nunca utilice demasiada presión.



1. Tapa de la parrilla

2. Placas de la parrilla

† 3. Bandeja colectora (Pieza No. 21516W)

† 4. Espátula (Pieza No. 20147W)

5. Cordón

† 6. Tapa del calentador para panecillos (Pieza No. 21715)

† 7. Cierre de la tapa (Pieza No. 21362)

Nota: † indica piezas desmontables/reemplazables por el consumidor

7. Después del tiempo seleccionado, el alimento debería estar cocinado. Si prefiere cocinar sus alimentos por más tiempo, simplemente siga las instrucciones, comenzando con el paso número 4.

8. Con un agarrador, abra cuidadosamente la tapa de la parrilla.

9. Retire el alimento cocinado con la espátula de plástico suministrada.

Nota: Siempre utilice utensilios de plástico, nylon o madera resistentes al calor para evitar rayar la superficie antiadherente de las placas para asar. Nunca use pinchos, pinzas, tenedores o cuchillos de metal.

Importante: La parrilla permanece encendida (ON) hasta que uno la desconecta.

10. Deje que la bandeja de goteo se enfríe antes de retirarla de debajo de la parrilla. Lave y seque la bandeja de goteo después de cada uso.

TABLA DE SUGERENCIAS PARA ASAR A LA PARRILLA

Los siguientes valores se deben usar como guía únicamente. Los tiempos sugeridos corresponden a la capacidad completa de la parrilla. El tiempo de cocción depende del grosor y del corte utilizado. Use un termómetro de cocción para comprobar si el alimento está listo. Si el alimento necesita una cocción más prolongada, verifique periódicamente para evitar cocinarlo en exceso.

ALIMENTO	TIEMPO DE COCCIÓN	COMENTARIOS
CARNE		
Hamburguesa 141,75 g (5 oz)	4 – 6 minutos	1,91 cm (¾ pulgada) de grosor Cocción a término medio 71 °C (160 °F)
Hamburguesas congeladas 141,75 g (5 oz)	5 – 6 minutos	Cocción a término medio 71 °C (160 °F)
Bistec de vacío 340,19 g (¾ lb)	6 – 8 minutos	1,91 cm (¾ pulgada) de grosor Cocción a punto 63 °C (145 °F) Cocción a término medio 71 °C (160 °F)
Bistec de falda 226,8 g (½ lb)	4 – 6 minutos	
Bistec tipo NY (del lomo corto) 170,1 g (6 oz)	6 – 8 minutos	1,91 cm (¾ pulgada) de grosor Cocción a punto 63 °C (145 °F)
Filete de carne de res 141,75 g (5 oz)	4 – 6 minutos	1,91 cm (¾ pulgada) de grosor Cocción a punto 63 °C (145 °F)
Pinchos de carne de res	5 – 7 minutos	Cocción a término medio 71 °C (160 °F)
Chuletas de lomo de puerco, deshuesadas	4 – 6 minutos	1,91 cm (¾ pulgada) de grosor Cocción a 71 °C (160 °F)

ALIMENTO	TIEMPO DE COCCIÓN
Chuletas de lomo de puerco, con hueso	4 – 6 minutos
Embutido, salchichita o pati	4 – 6 minutos
Hot dogs	4 – 5 minutos
Tocino	6 – 8 minutos
Chuletas de lomo de puerco ahumadas, deshuesadas	4 – 6 minutos
Chuletas de cordero, lomo	5 – 7 minutos
AVES	
Pechuga de pollo, deshuesada y sin piel 226,8 g (8 oz)	11 – 13 minutos
Lomitos de pollo (4 a 6 trozos)	4 – 6 minutos
Lomo de pavo 340,19 g (¾ lb)	9 – 11 minutos
Hamburguesas de pavo 141,75 g (5 oz)	4 – 6 minutos
PESCADO	
Filetes de tilapia 170,1 g (6 oz) c/u	5 – 7 minutos
Filete de trucha 170,1 g (6 oz)	4 – 6 minutos
Filete de salmón 226,8 g (8 oz) por pieza	5 – 7 minutos
Bistec de salmón 226,8 g (8 oz)	7 – 9 minutos
Bistec de atún 170,1 g (6 oz)	4 – 6 minutos
Langostinos	3 – 4 minutos

Tenga en cuenta: Para asegurarse de que su alimento esté completamente cocinado, el Departamento de Agricultura de los Estados Unidos (United States Department of Agriculture, USDA) recomienda las siguientes pautas. Use un termómetro para carnes para comprobar si el alimento está listo insertando el termómetro para carnes en el centro del alimento que está cocinando y asegúrese de que el termómetro no toque el hueso.

ALIMENTO PARA COCINAR	TÉRMINO MEDIO		BIEN COCIDO O TOTALMENTE COCIDO	
			170 °F	77 °C
Pechuga de pollo			170 °F	77 °C
Muslo de pollo			180 °F	82 °C
Carne de res / Cordero / Ternera	160 °F	71 °C	170 °F	77 °C
Puerco			160 °F	71 °C
Carne de res y ave cocidas recalentadas			165 °F	74 °C

COMO ASAR FRUTAS Y VERDURAS A LA PLANCHA

Los siguientes valores se deben usar como guía únicamente. Los tiempos sugeridos corresponden a la capacidad completa de la plancha. El tiempo de cocción depende del grosor del alimento. Introduzca un tenedor en el centro del alimento para comprobar si está listo. (Tenga cuidado de no tocar la placa de la plancha). Si el alimento necesita una cocción más prolongada, verifique periódicamente para evitar cocinarlo en exceso.

ALIMENTO	TIEMPO PARA ASAR A LA PLANCHA
Racimos de espárragos	4 – 6 minutos
Pimientos, diversos colores cortados en aros de 1,27 cm (½ pulgada)	5 – 7 minutos
Hongos, en rebanadas gruesas	4 – 5 minutos
Rebanadas de cebolla, 1,27 cm (½ pulgada)	5 – 7 minutos
Rebanadas de papa, 1,27 cm (½ pulgada)	15 – 18 minutos
Hongos portobello, 7,62 cm (3 pulgadas) de diámetro	4 – 6 minutos
Rebanadas de zucchini, 1,27 cm (½ pulgada)	3 – 4 minutos
Rodajas de piña fresca, 1,27 cm (½ pulgada)	2 – 4 minutos

CONSEJOS PARA ASAR A LA PARRILLA

- Para impedir la pérdida de calor y generar la parrilla frecuentemente durante la cocción.
- No llene la parrilla en exceso.
- Al cocinar por primera vez un alimento es mejor cocinarlo unos minutos antes del tiempo sugerido; si es necesario, ajuste el botón de control.
- Si cocina más de un trozo de alimento, intente cocinar trozos similares.
- Recuerde que, dado que la parrilla cocina más rápido que lo esperado. Puede cocinar en exceso.
- Para obtener un sabor más intenso, agregue especias a la parrilla o marine los alimentos antes de cocinarlos.

Importante: Para cocinar en esta parrilla, use un material resistente al calor o silicona. Se recomienda especialmente los materiales que no se descoloran ni se derriten a temperaturas altas.

USO DEL CALENTADOR PARA PANECILLOS

Las parrillas vienen con un calentador para panecillos para diferentes tipos de panes (panecillos para hamburguesas, bollos dulces, tortillas mexicanas, pan árabe, y pequeños “croissants” o medialunas). Por lo general, coloque el pan dentro del calentador para panecillos.

Precaución: Se debe usar el calentador para panecillos para panes. No es para cocinar ni para asar comida congelada.

Importante: El calentador de panecillos no tiene un interruptor. Si el pan es demasiado grueso, tendrá que cocinarlo en la parrilla.

Cómo usar el calentador para panecillos:

Tapa del calentador para panecillos

Cierre de la tapa



1. Levante el cierre de la tapa donde dice “Lift”.
2. Coloque el pan en el calentador para panecillos.
3. Una vez que haya colocado el pan, levante la tapa.

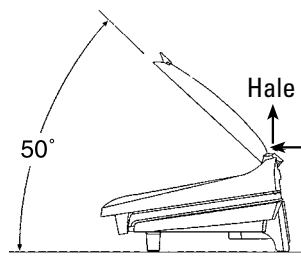
Importante: Nunca fuerce la tapa para cerrarla.

4. Para calentar bien el pan, déjelo en el calentador por el tiempo calentar aquellos panes que hayan sido congelados.

Precaución: El calentador para panecillos utiliza el mismo interruptor que la parrilla. Si desea calentar pan, pero no desea cocinar en la parrilla, recuerde que la parrilla estará encendida y muy caliente.

Advertencia: No utilice el calentador para panecillos para mantener la comida caliente (como carnes, verduras, papas, etc.). El calentador para panecillos es para panes únicamente.

Nota: La tapa del calentador para panecillos está diseñada especialmente para facilitar el uso. La tapa es desmontable y la puede quitar para limpiar. Para sacar la tapa, levántela en un ángulo de 50 grados, haciéndolo en las conexiones con bisagras. Revierta el procedimiento para volver a ensamblarla.



Cuidado y limpieza

Este aparato no contiene piezas reparables por el consumidor. Para servicio, por favor acuda a personal calificado.

LIMPIEZA

Precaución: Para evitar quemaduras accidentales, espere hasta que la parrilla se enfríe completamente antes de limpiarla.

1. Antes de limpiar, desenchufe la parrilla del tomacorriente de la pared y deje que se enfríe.

Importante: Las resistencias seguirán estando encendidas hasta presionar el interruptor de encendido/apagado o hasta desenchufar el electrodoméstico.

2. Coloque una bandeja de goteo debajo del frente de la parrilla. Use la espátula de plástico para raspar el exceso de grasa y las partículas de alimentos que queden en las placas de la parrilla; el escurrimiento caerá en la bandeja de goteo.
3. Limpie las placas de la parrilla con una esponja y agua tibia jabonada. Enjuague la esponja y repase las placas para limpiar todo residuo de jabón. Seque bien con papel de toalla absorbente.
4. Para eliminar las acumulaciones difíciles, use una esponjilla de nailon o no metálica para limpiar las placas de la parrilla.

Importante: No use esponjillas metálicas, lana de acero ni limpiadores abrasivos para limpiar ninguna parte de su plancha; use únicamente esponjillas de nailon o no metálicas.

5. Vacíe la bandeja de goteo y lávela con agua templada en jabón; séquela bien con una toalla de papel.
6. Para limpiar la tapa de la parrilla, limpie con una esponja húmeda templada y seque con un trapo seco suave.

Importante: No sumerja la estructura de la parrilla en agua ni en ningún otro líquido.

7. Cualquier servicio técnico que requiera desarmar la parrilla, además de la limpieza mencionada, debe ser realizado por un electricista calificado.

Precaución: Asegúrese de sujetar la tapa de la parrilla por el tirador al limpiarla para evitar que se cierre accidentalmente y provoque lesiones.

ALMACENAMIENTO

- Siempre asegúrese de que la parrilla esté limpia y seca antes de almacenarla.

RESOLUCIÓN DE PROBLEMAS

PROBLEMA	CAUSA
Las terminaciones de las placas de la parrilla tienen marcas de cortes.	Se han utilizado herramientas de metal.
Las marcas del asado a la parrilla en los alimentos son muy leves.	No se precalentó la parrilla completamente antes de usarla.
Hay acumulación de comida en las placas de la parrilla.	No se limpió correctamente la parrilla antes de usarla.
El alimento está seco y quemado.	El alimento se cocinó demasiado tiempo.
La plancha no enciende.	La plancha no está enchufada.

NEED HELP?

For service, repair or any questions regarding your appliance, call the appropriate 800 number on cover of this book. Please DO NOT return the product to the place of purchase. Also, please DO NOT mail product back to manufacturer, nor bring it to a service center. You may also want to consult the website listed on the cover of this manual.

Two-Year Limited Warranty

(Applies only in the United States and Canada)

What does it cover?

- Any defect in material or workmanship provided; however, Applicia's liability will not exceed the purchase price of product.

For how long?

- Two years after the date of original purchase.

What will we do to help you?

- Provide you with a reasonably similar replacement product that is either new or factory refurbished.

How do you get service?

- Save your receipt as proof of date of sale.
- Check our on-line service site at www.prodprotect.com/applica, or call our toll-free number, 1-800-231-9786, for general warranty service.
- If you need parts or accessories, please call 1-800-738-0245.

What does your warranty not cover?

- Damage from commercial use
- Damage from misuse, abuse or neglect
- Products that have been modified in any way
- Products used or serviced outside the country of purchase
- Glass parts and other accessory items that are packed with the unit
- Shipping and handling costs associated with the replacement of the unit
- Consequential or incidental damages (Please note, however, that some states do not allow the exclusion or limitation of consequential or incidental damages, so this limitation may not apply to you.)

How does state law relate to this warranty?

- This warranty gives you specific legal rights, and you may also have other rights that vary from state to state or province to province.

¿NECESITA AYUDA?

Para servicio, reparaciones o preguntas relacionadas con su electrodoméstico, llame al número "800" que aparece en la cubierta de este manual. No envíe el producto al establecimiento de compra. No envíe el producto al centro de servicio. También puede consultar el sitio web listado en la cubierta de este manual.

Dos años de garantía limitada

(Aplica solamente en Estados Unidos o Canadá)

¿Qué cubre la garantía?

- La garantía cubre cualquier defecto de material o mano de obra; sin embargo, la responsabilidad por ningún costo que exceda el precio de compra del producto.

¿Por cuánto tiempo es válida la garantía?

- Por dos años a partir de la fecha original de compra.

¿Qué clase de asistencia recibe el consumidor?

- El consumidor recibe un producto de reemplazo que sea razonablemente parecido al original.

¿Cómo se obtiene el servicio necesario?

- Conserve el recibo original como comprobante de compra.
- Se puede visitar el sitio web de asistencia al consumidor en www.prodprotect.com/applica, o se puede llamar al número de atención al cliente, 1-800-231-9786, para obtener información.
- Si necesita piezas o accesorios, por favor llame al 1-800-738-0245.

¿Qué aspectos no cubre esta garantía?

- Los daños al producto ocasionados por el mal uso, abuso o negligencia.
- Los daños ocasionados por el mal uso, abuso o negligencia.
- Los productos que han sido alterados de alguna manera.
- Los productos utilizados o reparados fuera de garantía.
- Las piezas de vidrio y demás accesorios empaquetados con el producto.
- Los gastos de tramitación y embarque relacionados con el envío.
- Los daños y perjuicios indirectos o incidentales. Algunos estados no permiten la exclusión de daños indirectos ni incidentales, de manera que esta limitación puede no aplicarse.

¿Qué relación tiene la ley estatal con esta garantía?

- Esta garantía le otorga derechos legales e información sobre otros derechos que varían de una región a otra.



2010/3-12-17E/S

Copyright © 2010 Applica Consumer Products, Inc.

Made in People's Republic of China

Printed in People's Republic of China

Fabricado en la República Popular de China

Impreso en la República Popular de China