

This Owner's Manual is provided and hosted by [Appliance Factory Parts](#).



George Foreman GRP6ENQ Owner's Manual

[Shop genuine replacement parts for George Foreman
GRP6ENQ](#)



[Find Your George Foreman Grill Parts - Select From 307 Models](#)

----- Manual continues below -----



GEORGE FOREMAN®

CUSTOMER CARE LINE:

USA/Canada 1-800-231-9786

Accessories/Parts (USA/Canada)

Accesorios/Partes (EE.UU./Canadá)

1-800-738-0245

3-YEAR LIMITED WARRANTY

Register your product at www.prodprotect.com/applica.

For delicious recipes and tips visit:
www.georgeforemancooking.com.



Join us on Facebook:

[Facebook.com/georgeforemanhealthycooking](https://www.facebook.com/georgeforemanhealthycooking)

MODELS / MODELOS

- GRP6E**
- GRP6ENQ**
- GRP6EGQ**
- GRP4EP**
- GRP4EWS**
- GRP4EMB**
- GRP6EBQ**
- GRP6EPQ**
- GRP6ERQ**

IMPORTANT SAFEGUARDS

When using electrical appliances, basic safety precautions should always be followed, including the following:

- Read all instructions.
- Do not touch hot surfaces. Use handles or knobs.
- To protect against electrical shock do not immerse cord, plugs or appliance in water or other liquid.
- Close supervision is necessary when any appliance is used by or near children.
- Unplug from outlet when not in use and before cleaning. Allow to cool before putting on or taking off parts.
- Do not operate any appliance with a damaged cord or plug, or after the appliance malfunctions or has been damaged in any manner. Contact customer support or call the appropriate toll-free number on the cover of this manual.
- The use of accessory attachments not recommended by the appliance manufacturer may cause injuries.
- Do not use outdoors.
- Do not let cord hang over edge of table or counter, or touch hot surfaces.
- Do not place on or near a hot gas or electric burner, or in a heated oven.
- Extreme caution must be used when moving an appliance containing hot oil or other hot liquids.
- To disconnect, turn any control to OFF, then remove plug from wall outlet.
- Do not use this appliance for other than intended use.
- Be sure that removable plates are assembled and fastened properly.
- The appliance is only to be operated in the closed position.
- Do not cook with slider plate handle. Remove the handle when cooking.
- This appliance is not intended for use by persons (including children) with reduced physical, sensory or mental capabilities, or lack of experience and knowledge, unless they have been given supervision or instruction concerning use of the appliance by a person responsible for their safety.
- Children should be supervised to ensure that they do not play with the appliance.

SAVE THESE INSTRUCTIONS.

This product is for household use only.

POLARIZED PLUG (120V Models Only)

This appliance has a polarized plug (one blade is wider than the other). To reduce the risk of electric shock, this plug is intended to fit into a polarized outlet only one way. If the plug does not fit fully into the outlet, reverse the plug. If it still does not fit, contact a qualified electrician. Do not attempt to modify the plug in any way.

TAMPER-RESISTANT SCREW

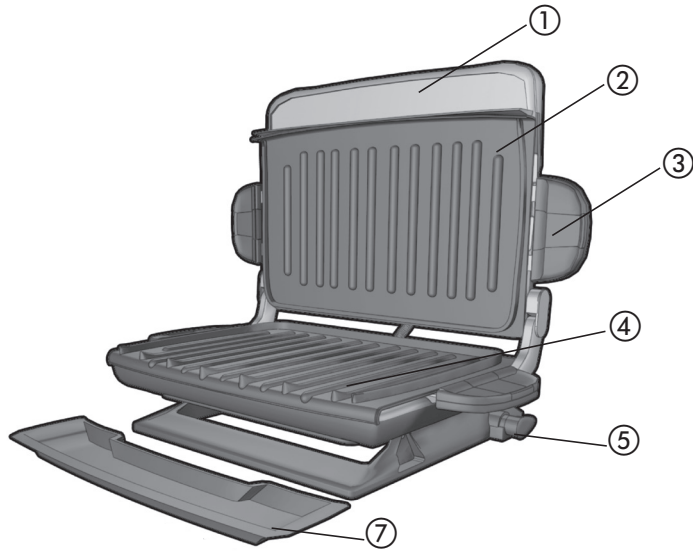
Warning: This appliance is equipped with a tamper-resistant screw to prevent removal of the outer cover. To reduce the risk of fire or electric shock, do not attempt to remove the outer cover. There are no user-serviceable parts inside. Repair should be done only by authorized service personnel.

ELECTRICAL CORD

- a) A short power-supply cord is provided to reduce the risk resulting from becoming entangled in or tripping over a longer cord.
- b) Longer detachable power-supply cords or extension cords are available and may be used if care is exercised in their use.
- c) If a long detachable power-supply cord or extension cord is used,
 - 1) The marked electrical rating of the detachable power-supply cord or extension cord should be at least as great as the electrical rating of the appliance,
 - 2) If the appliance is of the grounded type, the extension cord should be a grounding-type 3-wire cord, and
 - 3) The longer cord should be arranged so that it will not drape over the countertop or tabletop where it can be pulled on by children or tripped over.

Note: If the power supply cord is damaged, it should be replaced by qualified personnel, in Latin America, by an authorized service center.

Product may vary slightly from what is illustrated.



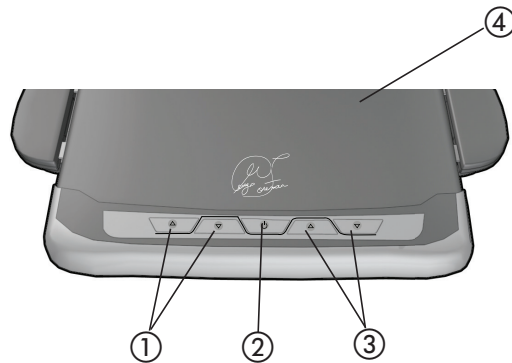
A1

- 1. Integrated handle
- † 2. Top grill plate (Part # GRP4-03)
- 3. Grill plate release handles (both sides)
- † 4. Bottom grill plate (Part # GRP4-04)
- 5. Adjustable slope switch
- 6. Power cord (not shown)

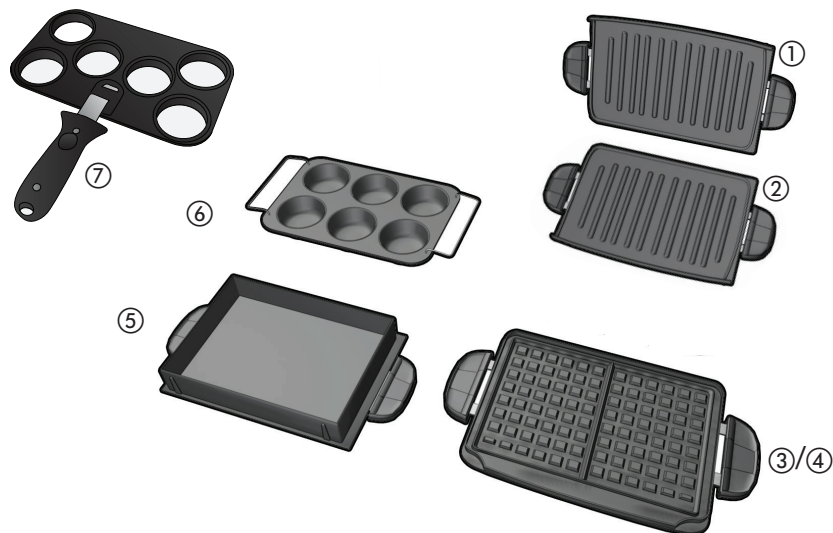
† 7. Grease tray (Part # GRP4-01)

Note: † indicates consumer replaceable/removable parts

-
- 1. Time increase/decrease buttons
 - 2. Power button (⏻)
 - 3. Temperature increase/decrease buttons
 - 4. Grill cover



A2



A3

Plate	Included	Part #	Models
1. Top grill plate	1	GRP4-04	All models
2. Bottom grill plate	1	GRP4-03	All models
3. Top waffle plate	1	22743U	GRP4EWS, GRP6EBQ,
4. Bottom waffle plate	1	22743L	GRP4EWS, GRP6EBQ,
5. Deep-dish bake pan	1	GRP4-07	GRP4EMB, GRP4EP,
6. Cupcake & muffin pan insert	1	GRP4-08	GRP4EMB, GRP6EBQ, GRP6EPQ, GRP6ERQ
7. Mini-burger insert with cool-touch handle	1	GRP4-09 (plate); GRP4-10 (handle)	GRP4EP

Note: To order additional plates not included with your grill model, please visit us at www.georgeforemancooking.com or contact Consumer Support

How to Use:

This product is for household use only.

GETTING STARTED

- Remove all packing material and, if applicable, any stickers from the product; remove and save literature.
- Please go to www.prodprotect.com/applica to register your warranty; for additional information go to www.georgeforemancooking.com.
- Wash all removable parts and/or accessories as instructed in CARE AND CLEANING.
- Select a dry, level location where your grill will be used, leaving enough space between the back of grill and wall to allow heat to flow without damage to cabinets and walls.

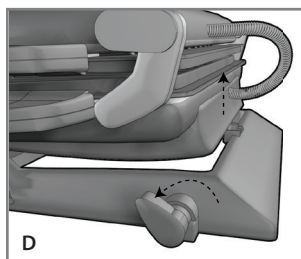
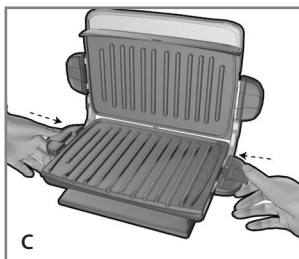
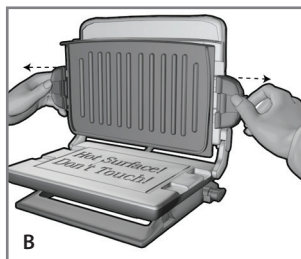
ATTACHING REMOVABLE PLATES

Important: This appliance should always be used with 2 plates securely attached.

BASIC GRILL PLATES

(See illustration A3)

1. Securely attach top and bottom grill plates using release handles on sides of plates (**B and C**).



Important: When using grill plates, use switch at bottom right rear of grill to lift back of grill, so that drippings run into drip tray. (D)

Caution: This position should only be used when grilling.

2. Place drip tray under front sloped section of bottom plate on grill.

WAFFLE PLATES

(See illustration A3)

Important: When using these plates, make sure bottom grill plate is in a completely horizontal (flat) position.

1. When baking waffles, securely attach top and bottom waffle plates using release handles on sides of plates.
2. Set temperature at 425°F and allow grill to preheat for at least 5 minutes.
3. Waffles take about 8 minutes to cook to golden brown.

DEEP-DISH BAKE PAN / CUPCAKE & MUFFIN PAN INSERT

(See illustration A3)

Important: When using this plate, make sure the grill is in a completely horizontal (flat) position.

1. If using deep-dish bake pan, securely attach top grill plate to top of grill and securely attach filled deep-dish bake pan to bottom of grill using release handles on sides of plates.

Important: When attaching the plates, be sure they are securely attached using release handles on sides of plates.

2. When finished baking in deep-dish bake pan, use pot holders to remove bake plate to wire rack.
3. If using the cupcake & muffin pan insert, place insert inside deep-dish bake pan on bottom plate.
4. Fill muffin cups about half-full and bake according to package directions.
5. When cupcakes or muffins are finished baking, use pot holders to remove the insert from inside deep-dish bake pan.
6. Place on wire rack to cool.

Suggestions for using deep-dish bake pan:

- **Brownies:** set temperature at 350°F and bake for 25 minutes or until tests done
- **Cornbread:** set temperature at 350°F and bake 20 minutes.
- **Chicken or fish in cream sauce:** set temperature at 350°F and bake for 25 minutes or until tests done.
- **Beef with vegetables in gravy:** brown beef deep dish bake plate at 400° F; add remaining ingredients and reduce temperature to 300°F; cook until meat and vegetables are tender.

Suggestions for using cupcake & muffin pan insert:

- Follow package directions, filling muffin cups about half-full and bake until golden. Try:
 - Corn muffins
 - Cranberry muffins
 - Banana nut
 - Blueberry
 - Mini meatloaves: see recipe on page 20.

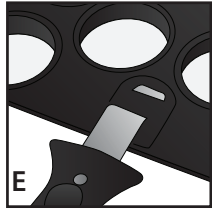
MINI-BURGER INSERT

(See illustration A3)

1. Securely attach grill plates using release handles on sides of plates.

Important: When using the mini-burger insert, always use switch at bottom right rear of grill to lift back of grill, so that drippings run into drip tray (see illustration D).

Note: Your mini-burger insert comes with a cool-touch handle to assist in inserting and removing the plate. Always use the handle to avoid touching hot surfaces. Remove handle when cooking.



2. Attach the cool-touch plate handle to the mini-burger insert by sliding the flat end into the indented opening in the plate (E).

Important: Be sure the handle is assembled and fastened properly.

3. Set the mini-burger insert onto the bottom plate and then remove the handle.

Caution: Remove the cool-touch handle from the mini-burger insert when cooking.

4. Place drip tray under the front of the grill.
5. Set temperature at 425°F and cooking time to 4 minutes; allow grill to preheat for at least 5 minutes.
6. For the mini-burger patties, use 2 ounces of meat each.

PREHEATING THE GRILL

1. Close lid on grill.
2. Unwind cord and plug it into standard electrical outlet. LCD display will show dashes where time and temperature will be displayed.
3. Press POWER (⏻) to turn grill on; 5 minutes will appear on timer display and 300°F will appear on temperature display.
4. To begin preheating, set desired cooking time, adding 5 minutes for grill to preheat by tapping ▲. Time changes in one-minute increments. (There is an audible signal each time button is pressed.) Display will show time selected.

5. Time can be changed at any time in one-minute increments by tapping ▲ or ▼ repeatedly. Minimum cooking time is 1 minute; maximum is 20 minutes. The LCD display will show ON, and an audible signal will sound once the selected temperature is reached and preheating is complete.
6. Set desired temperature by tapping ▲ repeatedly to select desired temperature. Temperature changes in 25° increments. Temperature settings range from 300°F to 425°F.

USING YOUR GRILL

Important: When grilling meats, poultry and fish, use switch at bottom right rear of the grill to lift back of bottom grill plate and have drippings run into drip tray. (See illustration D.)

Important: When grilling sandwiches, making waffles or muffins and baking, tilt bottom grill plate to horizontal (flat) position.

1. Select time and temperature desired, following directions in PREHEATING THE GRILL. Allow time for preheating.

Note: The George Tough™ nonstick coating on the plates is designed to work without oil, butter or cooking spray. If desired, you may use oil or butter. However, aerosol cooking spray should never be used; chemicals that allow spray to come out of can build up on the surface of the plates and reduce their efficiency.

2. Carefully place foods to be cooked on bottom plate of preheated grill. This grill usually accommodates 5 servings.

Note: Do not overload the cooking plate.

3. Close grill cover, closing it directly onto food.

Note: Use suggested cooking times found in GRILLING CHART on pages 10 - 12.

4. Allow food to cook for selected time.

Important: Do not leave the appliance unattended during use.

5. During cooking, timer will count down. When selected time has elapsed, grill will give a ready signal. Grill will remain on until it is unplugged.
6. After selected time, food should be done. If you would prefer longer cooking, simply follow steps beginning at step 3.
7. Using pot holder, carefully open grill cover.
8. Remove cooked food using plastic spatula provided.

Note: Always use heatproof plastic, silicone or wood utensils to avoid scratching nonstick surface of grill plates. Never use metal skewers, tongs, forks or knives.

9. Press POWER (⏻) to turn off and unplug grill.

Important: Heat continues to be ON until grill is unplugged.

10. Allow drip tray to cool before removing from under grill. Wash and dry the drip tray after each use.

Caution: Do not remove the cooking plates while grill is hot. Always allow them to cool to room temperature before removing or cleaning.

GRILLING CHART

The following are meant to be used as a guideline only. Times reflect full grill of food. Cooking time will depend upon thickness and cut being used. Use cooking thermometer as test for doneness. If food needs longer cooking, check periodically to avoid overcooking food.

FOOD	COOKING TIME	COMMENTS
MEAT		
Hamburger (5 oz.)	4 – 6 minutes	¾-inch thick Cooked to medium (160°F)
Frozen hamburgers (5 oz.)	5 – 6 minutes	¾-inch thick Cooked to medium (160°F)
Mini-burgers / sliders (2 oz.)	4 minutes	½-inch thick Cooked to 145°F
Flank steak (¾ lb.)	6 – 8 minutes	¾-inch thick Cooked to medium rare (145°F)
Skirt steak (½ lb.)	4 – 6 minutes	¾-inch thick Cooked to medium (160°F)
NY strip steak (shell steak) (6 oz.)	6 – 8 minutes	¾-inch thick Cooked to medium rare (145°F)
Beef tenderloin (5 oz.)	4 – 6 minutes	¾-inch thick Cooked to medium rare (145°F)
Beef kabobs	5 – 7 minutes	Cooked to medium (160°F)
Pork loin chops, boneless	4 – 6 minutes	¾-inch thick Cooked to 160°F
Pork loin chops, bone in	4 – 6 minutes	½ -inch thick Cooked to 160°F
Sausage, link or patty	4 – 6 minutes	Cooked to 160°F
Hot dogs	4 – 5 minutes	Cooked to 168°F
Bacon	6 – 8 minutes	Cook until just crisp

FOOD	COOKING TIME	COMMENTS
Smoked pork loin chops, boneless	4 – 6 minutes	Cooked to 160°F
Lamb chops, loin	5 – 7 minutes	$\frac{3}{4}$ -inch thick Cooked to medium (160°F)
POULTRY		
Chicken breast, boneless and skinless (8 oz.)	11 – 13 minutes	Cooked to 170°F
Chicken tenderloins (4 to 6 pieces)	4 – 6 minutes	Cooked to 170°F
Turkey tenderloin ($\frac{3}{4}$ lb.)	9 – 11 minutes	Cooked to 170°F
Turkey burgers (5 oz.)	4 – 6 minutes	Cooked to 170°F
FISH		
Tilapia fillets (6 oz., ea.)	5 – 7 minutes	Cooked to 145°F
Trout fillet (6 oz.)	4 – 6 minutes	Cooked to 145°F
Salmon fillet (8 oz. piece)	5 – 7 minutes	Cooked to 145°F
Salmon steak (8 oz.)	7 – 9 minutes	Cooked to 145°F
Tuna steak (6 oz.)	4 – 6 minutes	Cooked to 145°F
Shrimp	3 – 4 minutes	Cooked to 145°F
SANDWICHES		
Grilled cheese and sandwich is golden	2 – 3 minutes	Cook until cheese is melted
Grilled cheese with tomato tuna, ham or bacon	3 – 4 minutes	Cook until cheese is melted and sandwich is golden
Quesadillas	2 – 3 minutes	Cook until cheese is melted and tortilla is lightly browned

Please note: To be sure your food is fully cooked, the USDA recommends the following guidelines. Use a meat thermometer to test for doneness by inserting the meat thermometer into the center of the food being cooked and make sure the thermometer is not touching the bone or grill plates.

FOOD TO BE COOKED	MEDIUM	WELL DONE OR FULLY COOKED
Chicken breast		170°F
Chicken thigh		180°F
Beef / Lamb / Veal	160°F	170°
Pork		160°F
Reheated cooked meats and poultry		165°F

GRILLING FRUITS AND VEGETABLES

The following are meant to be used as a guideline only. The times reflect a full grill of food. Cooking time will depend upon thickness of food. Use a fork inserted into the center of the food to test for doneness. (Be careful not to touch the grill plates.) If the food needs longer cooking, check periodically to avoid overcooking the food.

FOOD	COOKING TIME
Asparagus spears	4 – 6 minutes
Bell peppers, assorted colors cut into ½-inch rings	5 – 7 minutes
Mushrooms, thickly sliced	4 – 5 minutes
Onion slices, ½-inch	5 – 7 minutes
Potato slices, ½-inch	15 – 18 minutes
Portobello mushrooms, 3-inch diameter	4 – 6 minutes
Zucchini slices, ½-inch	3 – 4 minutes
Fresh pineapple slices, ½-inch	2 – 4 minutes

GRILLING TIPS

- To prevent heat loss and promote even cooking, do not open the grill cover frequently while cooking.
- Do not overfill grill; it will hold 5 servings comfortably.
- When first cooking a particular food, check for doneness several minutes before suggested time; if necessary, adjust timer using control button.
- If cooking more than one piece of food, try to have them similar in size and thickness.
- Remember that since grill is cooking from both sides, cooking time will typically be shorter than expected. Watch carefully to avoid overcooking.
- For added flavor, add dry seasonings before grilling or marinate foods before cooking.

Important: Use only silicone, heatproof plastic and wooden utensils when cooking on the grill. Silicone utensils are especially good because they do not discolor or melt with the high temperature.

Care and Cleaning

This appliance contains no user-serviceable parts. Refer service to qualified service personnel.

CLEANING

Caution: To avoid accidental burns, allow grill to cool thoroughly before cleaning.

1. Before cleaning, unplug grill from wall outlet and allow to cool.

Important: Heating elements will continue to be ON until grill is unplugged.

2. Place drip tray under front of grill. Use plastic spatula to scrape off any excess fat and food particles left on the grill plates; runoff will drip into the drip tray. Wipe plates dry with a paper towel or sponge to avoid grease dripping onto your counter when plates are removed.
3. Remove plates as instructed in HOW TO USE (see **illustrations B and C**). To clean cooking plates, wash in warm, soapy water; dry thoroughly with a paper towel.
4. Empty drip tray and wash in warm, soapy water; dry thoroughly with a paper towel.
5. Reinstall cooking plates (see **illustrations B and C**), making sure they are securely attached to grill body.

Note: If washing the plates in a dishwasher, dishwasher detergent may cause oxidation on uncoated side of grill plate. This is not harmful.

6. To remove stubborn buildup, use a nylon or nonmetallic scrubbing pad to clean the cooking plates.

Important: Do not use metallic scrubbing pads, steel wool or any abrasive cleaners to clean any part of your grill; use only nylon or nonmetallic scrubbing pads.

7. To clean the grill cover, wipe with a warm, wet sponge and dry with a soft, dry cloth.

Important: Do not immerse body of grill in water or any other liquid.

8. Any servicing requiring disassembly other than the above cleaning must be performed by a qualified electrician.

Caution: Make sure to hold grill cover by the handle while cleaning to prevent accidental closing and injury.

STORAGE

Always make sure grill is clean and dry before storing.

NEED HELP?

For service, repair or any questions regarding your appliance, call the appropriate 800 number on cover of this book. Please DO NOT return the product to the place of purchase. Also, please DO NOT mail product back to manufacturer, nor bring it to a service center. You may also want to consult the website listed on the cover of this manual.

Three-Year Limited Warranty (Applies only in the United States and Canada)

What does it cover?

- Any defect in material or workmanship provided; however, Aplica's liability will not exceed the purchase price of product.

For how long?

- Three years from the date of original purchase with proof of such purchase.

What will we do to help you?

- Provide you with a reasonably similar replacement product that is either new or factory refurbished.

How do you get service?

- Save your receipt as proof of date of sale.
- Check our on-line service site at www.prodprotect.com/applica, or call our toll-free number, 1-800-231-9786, for general warranty service.
- If you need parts or accessories, please call 1-800-738-0245.

What does your warranty not cover?

- Damage from commercial use
- Damage from misuse, abuse or neglect
- Products that have been modified in any way
- Products used or serviced outside the country of purchase
- Glass parts and other accessory items that are packed with the unit
- Shipping and handling costs associated with the replacement of the unit
- Consequential or incidental damages (Please note, however, that some states do not allow the exclusion or limitation of consequential or incidental damages, so this limitation may not apply to you.)

How does state law relate to this warranty?

- This warranty gives you specific legal rights, and you may also have other rights that vary from state to state or province to province.

Made and Printed in People's Republic of China

Por favor lea este instructivo antes de usar el producto

INSTRUCCIONES IMPORTANTES DE SEGURIDAD

Cuando se usan aparatos eléctricos, siempre se deben respetar las siguientes medidas básicas de seguridad:

- Por favor lea todas las instrucciones.
- No toque las superficies calientes. Use las asas o las perillas.
- A fin de protegerse contra un choque eléctrico y lesiones a las personas, no sumerja el cable, los enchufes ni el aparato en agua ni en ningún otro líquido.
- Todo aparato eléctrico usado en la presencia de los niños o por ellos mismos requiere la supervisión de un adulto.
- Desconecte el aparato del tomacorriente cuando no esté en uso y antes de limpiarlo. Espere que el aparato se enfríe antes de instalarle o retirarle piezas y antes de limpiarlo.
- No use ningún aparato eléctrico que tenga el cable o el enchufe averiado, que presente un problema de funcionamiento o que esté dañado. Acuda a un centro de servicio autorizado para que lo examinen, reparen o ajusten o llame gratis al número correspondiente en la cubierta de este manual.
- El uso de accesorios no recomendados por el fabricante del aparato puede ocasionar incendio, choque eléctrico o lesiones a las personas.
- No use este aparato a la intemperie.
- No permita que el cable cuelgue del borde de la mesa o del mostrador ni que entre en contacto con superficies calientes.
- No coloque el aparato sobre ni cerca de las hornillas de gas o eléctricas ni adentro de un horno caliente.
- Tome mucha precaución al mover de un lugar a otro un aparato que contenga aceite u otros líquidos calientes.
- Para desconectar, ajuste todo control a la posición de apagado (O) y después, retire el enchufe del tomacorriente.
- Este aparato se debe usar únicamente con el fin previsto.
- Asegurese de que las placas removibles esten colocadas y ajustadas correctamente.
- Este aparato solo debe dejarse funcionar en posición cerrada.
- No cocine utilizando la asa de la placa para mini-hamburguesas. Remueva el asa para cocinar.

- Este aparato no está diseñado para ser usado por personas (incluido niños) con capacidad limitada física, mental o sensoriales disminuidas y falta de experiencia o conocimiento que les impida utilizar el aparato con toda seguridad sin supervisión o instrucción.
- Se debe asegurar la supervisión de los niños para evitar que usen el aparato como juguete.

CONSERVE ESTAS INSTRUCCIONES

Este aparato eléctrico es para uso doméstico únicamente.

ENCHUFE POLARIZADO (Solamente para los modelos de 120V)

Este aparato cuenta con un enchufe polarizado (un contacto es más ancho que el otro). A fin de reducir el riesgo de un choque eléctrico, este enchufe encaja en un tomacorriente polarizada en un solo sentido. Si el enchufe no entra en el tomacorriente, inviértalo y si aun así no encaja, consulte con un electricista. Por favor no trate de alterar esta medida de seguridad.

TORNILLO DE SEGURIDAD

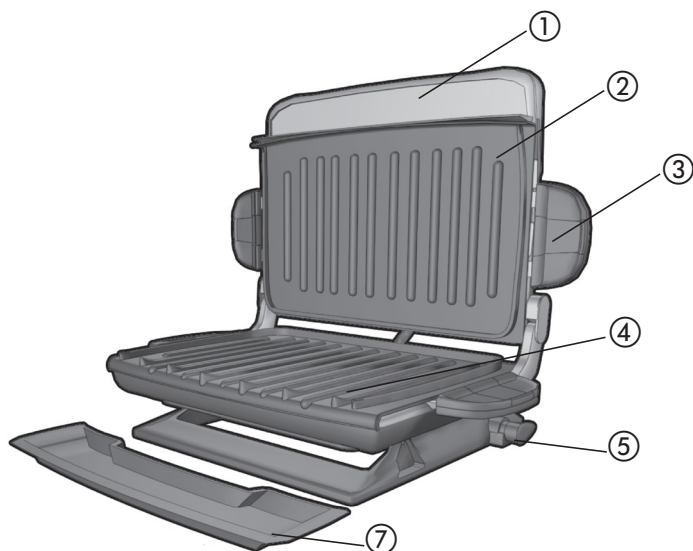
Advertencia: Este aparato cuenta con un tornillo de seguridad para evitar la remoción de la cubierta exterior del mismo. A fin de reducir el riesgo de incendio o de choque eléctrico, por favor no trate de remover la cubierta exterior. Este producto no contiene piezas reparables por el consumidor. Toda reparación se debe llevar a cabo únicamente por personal de servicio autorizado.

CABLE ELÉCTRICO

- a) El producto debe proporcionarse con un cable corto (o uno desmontable) para reducir el riesgo de enredarse o de tropezar con un cable largo.
- b) Se encuentran disponibles cables desmontables o de extensión más largos, que es posible utilizar si se emplea el cuidado debido.
- c) Si se utiliza un cable desmontable o de extensión.
 - 1) El voltaje eléctrico del cable desmontable o del cable de extensión debe ser, como mínimo, igual al del voltaje del aparato,
 - 2) Si el aparato es del tipo que va conectado a tierra, el cable de extensión deberá ser un cable de tres alambres conectado a tierra.
 - 3) El cable más largo debe acomodarse de modo que no cuelgue del mostrador o de la mesa, para evitar que un niño tire del mismo o que alguien se tropiece.

Nota: Si el cordón de alimentación está dañado, en América Latina se debe sustituirse por un personal calificado o por el centro de servicio autorizado.

El producto puede variar ligeramente del que aparece ilustrado aquí.

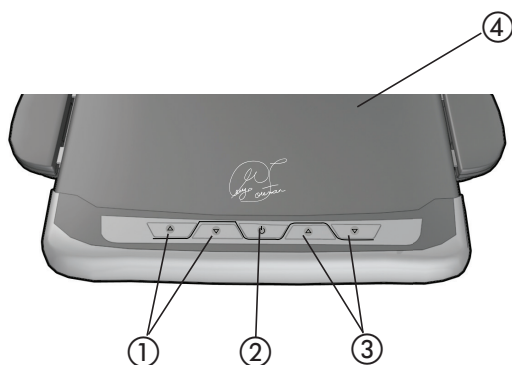


A1

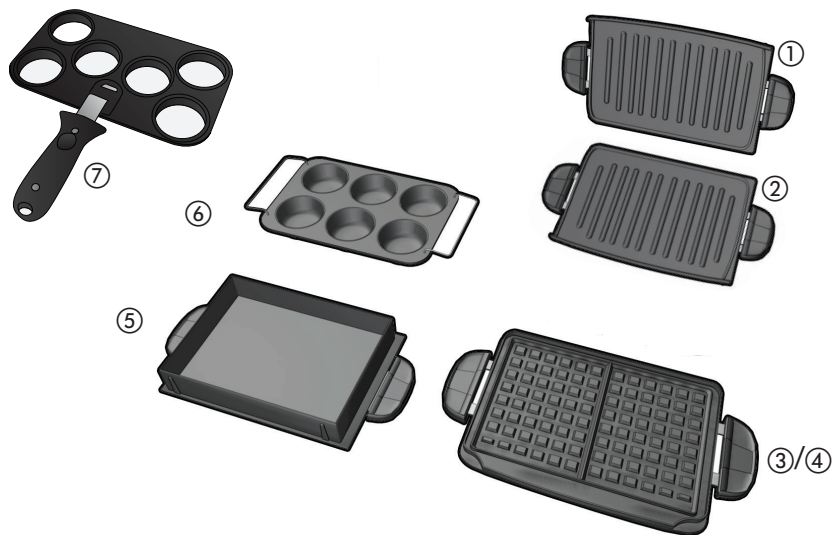
- 1. Mango integrado
- † 2. Placa superior para asar (Pieza N° GRP4-03)
- 3. Manijas de lanzamiento de la placa de la parrilla (ambos lados)
- † 4. Placa inferior para asar (Pieza N° GRP4-04)
- 5. Ángulo de parrilla ajustable
- 6. Cable de alimentación (no mostrado)
- † 7. Bandeja de goteo (Pieza N° GRP4-01)

Nota: † indica piezas desmontables/
reemplazables por el consumidor

- 1. Botones de aumento y reducción del tiempo
- 2. Botón de funcionamiento (⏻)
- 3. Botones de aumento y reducción de temperatura
- 4. Tapa de la parrilla



A2



A3

Placa	Incluída(s)	Pieza N°	Modelos
1. Placa inferior para asar con superficie	1	GRP4-04	Todos los modelos
2. Placa superior para asar	1	GRP4-03	Todos los modelos
3. Placa superior para waffles	1	22743U	GRP4EWS, GRP6EBQ, GRP6EPQ, GRP6ERQ
4. Placa inferior para waffles	1	22743L	GRP4EWS, GRP6EBQ, GRP6EPQ, GRP6ERQ
5. Placa para hornear	1	GRP4-07	GRP4EMB, GRP4EP, GRP6EBQ, GRP6EPQ, GRP6ERQ
6. Accesorio para bollitos	1	GRP4-08	GRP4EMB, GRP6EBQ, GRP6EPQ, GRP6ERQ
7. La placa para mini-hamburguesas con un asa fría al tacto	1	GRP4-09 (placa); GRP4-10 (asa)	GRP4EP

Nota: Para encargar placas adicionales que no se incluyen con el modelo de su parrilla, visítenos en www.georgeforemancooking.com.

Como usar

Este producto está diseñado únicamente para uso doméstico.

PASOS PRELIMINARES

- Retire todo el material de empaque y cualquier etiqueta que tenga el producto; retire y guarde el material de lectura.
- Por favor, ir a www.prodprotect.com/applica para registrar su garantía; para información adicional, ir a www.georgeforemancooking.com.
- Lave las piezas removibles y/o los accesorios según las instrucciones de CUIDADO y LIMPIEZA de este manual.
- Seleccione el lugar seco, nivelado donde se utilizará esta parrilla dejando el espacio suficiente entre la parte de atrás del aparato y la pared para permitir que el calor fluya sin dañar armarios y paredes.

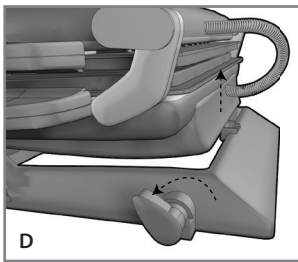
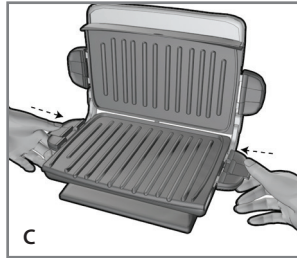
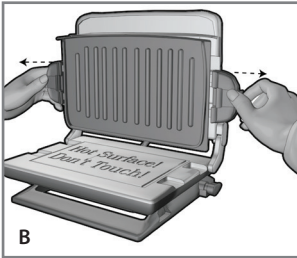
COLOCACIÓN DE LAS PLACAS REMOVIBLES

Importante: Este aparato debe utilizarse siempre con 2 placas firmemente aseguradas.

PLACAS PARA ASAR BÁSICAS

(Consulte la figura A3.)

1. Coloque la placa para asar superior e inferior usando las palancas de liberación que se encuentran a cada lado de las placas (B y C).



Importante: Al usar las placas para asar, use el interruptor que se encuentra en la parte inferior y posterior de la parrilla. De esta forma la parte posterior de la placa inferior quedará alzada y el goteo se dirigirá a la bandeja (D).

Precaución: Esta posición solo debe utilizarse para asar.

2. Coloque la bandeja de goteo debajo de la sección inclinada de la placa inferior.

PLACA PARA WAFLES

(Consulte la figura A3.)

Importante: Al utilizar estas placas, asegúrese de que la placa inferior esté en posición completamente horizontal.

1. Al preparar waffles, coloque la placa superior e inferior para waffles usando las palancas de liberación que se encuentran a cada lado de las placas.
2. Configure la temperatura a 425 °F y permita que la parrilla se caliente durante al menos 5 minutos.
3. Los waffles tardan aproximadamente 8 minutos en ponerse dorados.

PLACA PARA HORNEAR Y ACCESORIO PARA BOLLITOS

(Consulte la figura A3.)

Importante: Al utilizar esta placa, asegúrese de que la parrilla esté en posición completamente horizontal (vea D).

1. Si se va a utilizar la placa para hornear, coloque la placa superior en la sección superior de la parrilla y la placa para alimentos de masa gruesa, que contiene los alimentos que se van a preparar, en la sección inferior usando las palancas de liberación que se encuentran a cada lado de las placas.
2. Al terminar de hornear, retire la placa para hornear con la ayuda de agarraderas y colóquela sobre una bandeja de alambre.
3. Si se va a utilizar el accesorio para bollitos, colóquelo dentro de la placa para hornear y sobre la placa inferior.

Importante: Al colocar las placas, asegúrese de que queden firmemente colocadas usando las palancas de liberación que se encuentran a cada lado de las placas.

4. Llene los moldes de los bollitos hasta la mitad y hornéelos según las instrucciones del paquete.
5. Cuando los bollitos estén listos, retire el accesorio para bollitos (con la ayuda de agarraderas) de la placa hornear.
6. Coloque el accesorio sobre una bandeja de alambre para que se enfríe.

Sugerencias para el uso de la placa para hornear:

- **Brownies:** Configure la temperatura a 350 °F y hornee por 25 minutos o hasta que estén listos.
- **Pan de maíz:** Configure la temperatura a 350°F y hornee por 20 minutos.
- **Pollo o pescado en salsa cremosa:** Configure la temperatura a 350°F y hornee por 25 minutos o hasta que esté listo.
- **Carne con vegetales y salsa:** Cocine la carne en la placa para alimentos de masa gruesa a 400 °F; agregue los ingredientes restantes y reduzca la temperatura a 300 °F; cocine hasta que la carne y los vegetales estén tiernos.

Sugerencias para el uso del accesorio para bollitos:

- Siga las instrucciones del paquete y llene los moldes de los bollitos hasta la mitad. Hornéelos hasta que estén dorados. Pruebe:
 - **Bollitos de maíz**
 - **Bollitos de arándano (cranberry)**
 - **Bollitos de banana y nuez**
 - **Bollitos de arándano azul (blueberry)**
 - **Panes de carne en miniatura:** Vea la receta en la página 42.

PLACA PARA MINI-HAMBURGUESAS

(Consulte la figura A3.)

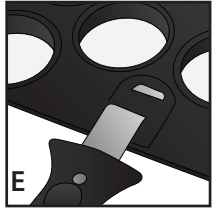
1. Coloque las placas de asar usando las palancas de liberación que se encuentran a cada lado de las placas.

Importante: Al usar la placa para mini-hamburguesas, use el interruptor que se encuentra en la parte inferior y posterior de la parrilla. De esta forma la parte posterior de la placa inferior quedará alzada y el goteo se dirigirá a la bandeja (vea D).

Nota: Su placa para mini-hamburguesas viene con un asa fría al tacto para asistirle al insertar y retirar la placa. Siempre use el asa para evitar tocar las superficies calientes. Remueva la asa cuando vaya a cocinar.

2. Deslice la punta plana dentro de la ranura en la placa (E).

Importante: Asegúrese de que la asa esté asegurada en su lugar.



3. Coloque la placa para mini-hamburguesas sobre la placa inferior de la parrilla y retire el asa.

Precaución: Remueva la asa fría al tacto de su placa para mini-hamburguesas cuando vaya a cocinar.

4. Coloque la bandeja de goteo debajo de la parrilla.
5. Ajuste la temperatura a 425 °F y el tiempo a 4 minutos; permita que la parrilla se precaliente por al menos 5 minutos.
6. Para hacer hamburguesas, utilice 2 onzas de carne.

PRECALENTAMIENTO DE LA PARRILLA

1. Cierre la tapa de la parrilla.
2. Desenrolle el cable y conéctelo a un tomacorriente estándar. La pantalla digital mostrará guiones donde aparecerán el tiempo y la temperatura.
3. Presione el botón de funcionamiento (⏻) para encender la parrilla; en la pantalla del cronómetro aparecerán 5 minutos y la de temperatura indicará 300 °F.
4. Para empezar a precalentar, seleccione el tiempo de cocción deseado y agregue 5 minutos tocando ▲. El tiempo cambia en incrementos de un minuto. (Se oirá una señal cada vez que se presione el botón de tiempo.) En

la pantalla se indicará el tiempo seleccionado.

5. El tiempo se puede modificar en cualquier momento en incrementos de un minuto tocando ▲ o ▼ reiteradamente. El tiempo mínimo de cocción es de 1 minuto; el máximo es de 20 minutos. La pantalla digital mostrará ON (encendido).
6. Establezca la temperatura deseada tocando ▲ reiteradamente. La temperatura cambia en incrementos de 25°. La temperatura se puede establecer entre 300 °F y 425 °F.

COMO USAR PARRILLA

Importante: Al asar carnes, aves y pescado, use el interruptor que se encuentra en la parte inferior y posterior de la parrilla. De esta forma la parte posterior de la placa inferior quedará alzada y el goteo se dirigirá a la bandejas (Consulte la figura D.)

Importante: Al preparar sándwiches, waffles o bollitos y para hornear, incline la placa inferior hacia la posición horizontal.

1. Seleccione el tiempo y la temperatura deseados según las instrucciones de la sección PRECALENTAMIENTO DE LA PARRILLA. Agregue tiempo para que la parrilla se precaliente.

Nota: La capa antiadherente George Tough™ que tienen las placas están diseñadas para trabajar sin aceite, mantequilla o spray para cocinar. Si lo desea, puede utilizar mantequilla o aceite, pero nunca debe de usar spray, ya que los mismos químicos que permiten que salga se acumulan en la superficie de las placas y reducen su eficiencia.

2. Coloque cuidadosamente los alimentos que se van a cocinar sobre la placa inferior. Generalmente en la parrilla caben de 5 porciones.

Nota: No sobrecargue la placa para asar.

3. Cierre la tapa directamente sobre los alimentos.

Nota: Utilice los tiempos de cocción sugeridos en la TABLA PARA ASAR en las páginas 30 a 33.

4. Permita que los alimentos se cocinen durante el tiempo seleccionado.

Importante: Preste atención al aparato durante su uso.

5. Durante la cocción, el cronómetro contará de forma regresiva. Una vez transcurrido el tiempo seleccionado, la parrilla emitirá un sonido. La parrilla permanecerá encendida hasta que se desconecte.
6. Una vez transcurrido el tiempo seleccionado, los alimentos deberían estar listos. Si prefiere más tiempo de cocción, siga los pasos empezando por el paso 3.
7. Abra la tapa cuidadosamente con la ayuda de agarraderas.
8. Retire los alimentos con la espátula de plástico proporcionada.

Nota: Utilice siempre utensilios de plástico, silicón o madera que sean resistentes al calor para no rayar la superficie antiadherente de las placas. Nunca utilice pinchos de metal, pinzas, tenedores o cuchillos.

9. Presione el botón de funcionamiento (⏻) para apagar y desconectar la parrilla.

Importante: La parrilla sigue generando calor hasta que se desconecta.

10. Permita que la bandeja de goteo se enfríe antes de alejarla de la parrilla. Lave y seque la bandeja de goteo después de cada uso.

Precaución: No retire las placas para asar mientras la parrilla aún esté caliente. Permita siempre que se enfríen a temperatura ambiente antes de retirarlas o limpiarlas.

TABLA PARA ASAR

Los siguientes valores se deben usar como guía únicamente. Los tiempos sugeridos corresponden a la capacidad completa de la parrilla. El tiempo de cocción depende del grosor y del corte utilizados. Use un termómetro de cocción para comprobar si el alimento está listo. Si el alimento necesita una cocción más prolongada, verifique periódicamente para evitar cocinarlo en exceso.

ALIMENTO	TIEMPO DE COCCIÓN	COMENTARIOS
CARNE		
Hamburguesa 141,75 g (5 oz)	4 – 6 minutos	1,91 cm (¾ pulgada) de grosor Cocción a término medio 71 °C (160 °F)
Hamburguesas congeladas 141,75 g (5 oz)	5 – 6 minutos	1,91 cm (¾ pulgada) de grosor Cocción a término medio 71 °C (160 °F)
Mini-hamburguesas 56,7 g (2 oz)	4 minutos	1,27 cm (½ pulgada) de grosor Cocción a 63 °C (145 °F)
Bistec de vacío 340,19 g (¾ lb)	6 – 8 minutos	1,91 cm (¾ pulgada) de grosor Cocción a punto 63 °C (145 °F)
Bistec de falda 226,8 g (½ lb)	4 – 6 minutos	1,91 cm (¾ pulgada) de grosor Cocción a término medio 71 °C (160 °F)
Bistec tipo NY (del lomo corto) 170,1 g (6 oz)	6 – 8 minutos	1,91 cm (¾ pulgada) de grosor Cocción a punto 63 °C (145 °F)

ALIMENTO	TIEMPO DE COCCIÓN	COMENTARIOS
CARNE		
Filete de carne de res 141,75 g (5 oz)	4 – 6 minutos	1,91 cm (¾ pulgada) de grosor Cocción a punto 63 °C (145 °F)
Pinchos de carne de res	5 – 7 minutos	Cocción a término medio 71 °C (160 °F)
Chuletas de lomo de puerco, deshuesadas	4 – 6 minutos	1,91 cm (¾ pulgada) de grosor Cocción a 71 °C (160 °F)
Chuletas de lomo de puerco, con hueso	4 – 6 minutos	1,27 cm (½ pulgada) de grosor Cocción a 71 °C (160 °F)
Embutido, salchichita o pati	4 – 6 minutos	Cocción a 71 °C (160 °F)
Hot dogs	4 – 5 minutos	Cocción a 75,5 °C (168 °F)
Tocino	6 – 8 minutos	Cocinado hasta estar crujiente
Chuletas de lomo de puerco ahumadas, deshuesadas	4 – 6 minutos	Cocción a 71 °C (160 °F)
Chuletas de cordero, lomo	5 – 7 minutos	1,91 cm (¾ pulgada) de grosor Cocción a término medio 71 °C (160 °F)
AVES		
Pechuga de pollo, deshuesada y sin piel 226,8 g (8 oz)	11 – 13 minutos	Cocción a 77 °C (170 °F)
Lomitos de pollo (4 a 6 trozos)	4 – 6 minutos	Cocción a 77 °C (170 °F)
Lomo de pavo 340,19 g (¾ lb)	9 – 11 minutos	Cocción a 77 °C (170 °F)
Hamburguesas de pavo 141,75 g (5 oz)	4 – 6 minutos	Cocción a 77 °C (170 °F)

ALIMENTO	TIEMPO DE COCCIÓN	COMENTARIOS
PESCADO		
Filetes de tilapia 170,1 g (6 oz) c/u	5 – 7 minutos	Cocción a 63 °C (145 °F)
Filete de trucha 170,1 g (6 oz)	4 – 6 minutos	Cocción a 63 °C (145 °F)
Filete de salmón 226,8 g (8 oz) por pieza	5 – 7 minutos	Cocción a 63 °C (145 °F)
Bistec de salmón 226,8 g (8 oz)	7 – 9 minutos	Cocción a 63 °C (145 °F)
Bistec de atún 170,1 g (6 oz)	4 – 6 minutos	Cocción a 63 °C (145 °F)
Langostinos	3 – 4 minutos	Cocción a 63 °C (145 °F)
SÁNDWICHES		
Queso asado a la plancha	2 – 3 minutos	Cocine hasta que el queso se derrita y el sándwich se dore
Queso asado a la plancha con tomate, atún, jamón o tocino	3 – 4 minutos	Cocine hasta que el queso se derrita y el sándwich se dore
Quesadillas	2 – 3 minutos	Cocine hasta que el queso se derrita y la tortilla adquiera un color ligeramente dorado

Tenga en cuenta: Para asegurarse de que su alimento esté completamente cocinado, el Departamento de Agricultura de los Estados Unidos (United States Department of Agriculture, USDA) recomienda las siguientes pautas. Use un termómetro para carnes para comprobar si el alimento está listo insertando el termómetro para carnes en el centro del alimento que está cocinando y asegúrese de que el termómetro no toque el hueso o las placas.

ALIMENTO PARA COCINAR	TÉRMINO MEDIO	BIEN COCIDO O TOTALMENTE COCIDO
Pechuga de pollo		170 °F 77 °C
Muslo de pollo		180 °F 82 °C
Carne de res / Cordero / Ternera	160 °F 71 °C	170 °F 77 °C
Puerco		160 °F 71 °C
Carne de res y ave cocidas recalentadas		165 °F 74 °C

COMO ASAR FRUTAS Y VERDURAS

Los siguientes valores se deben usar como guía únicamente. Los tiempos sugeridos corresponden a la capacidad completa de la parrilla. El tiempo de cocción depende del grosor del alimento. Introduzca un tenedor en el centro del alimento para comprobar si está listo. (Tenga cuidado de no tocar las placas de la parrilla.) Si el alimento necesita una cocción más prolongada, verifique periódicamente para evitar cocinarlo en exceso.

ALIMENTO	TIEMPO DE COCCIÓN
Racimos de espárragos	4 – 6 minutos
Pimientos, diversos colores cortados en aros de 1,27 cm (½ pulgada)	5 – 7 minutos
Hongos, en rebanadas gruesas	4 – 5 minutos
Rebanadas de cebolla, 1,27 cm (½ pulgada)	5 – 7 minutos
Rebanadas de papa, 1,27 cm (½ pulgada)	15 – 18 minutos
Hongos portobello, 7,62 cm (3 pulgadas) de diámetro	4 – 6 minutos
Rebanadas de zucchini, 1,27 cm (½ pulgada)	3 – 4 minutos
Rodajas de piña fresca, 1,27 cm (½ pulgada)	2 – 4 minutos

CONSEJOS PARA ASAR A LA PARRILLA

- Para impedir la pérdida de calor y generar una cocción pareja, no abra la tapa de la parrilla frecuentemente durante la cocción.
- No llene la parrilla en exceso.
- Al cocinar por primera vez un alimento específico, compruebe si está listo varios minutos antes del tiempo sugerido; si es necesario, ajuste el temporizador con el botón de control.
- Si cocina más de un trozo de alimento, intente que tengan un tamaño y grosor similares.
- Recuerde que, dado que la parrilla cocina de ambos lados, el tiempo de cocción será típicamente más corto que lo esperado. Preste atención para evitar cocinar en exceso.
- Para obtener un sabor más intenso, agregue los condimentos secos antes de asar a la parrilla o marine los alimentos antes de cocinarlos.

Importante: Para cocinar en esta parrilla, use solamente utensilios de silicón, plástico o madera. Se recomienda especialmente los utensilios de silicón, ya que no se descoloran ni se derriten a temperaturas altas.

Cuidado y limpieza

Este aparato no contiene piezas reparables por el consumidor. Para servicio, por favor acuda a personal calificado.

LIMPIEZA

Precaución: Para evitar quemaduras accidentales, espere hasta que la parrilla se enfríe completamente antes de limpiarla.

1. Antes de limpiar, desenchufe la parrilla del tomacorriente de la pared y deje que se enfríe.

Importante: Las resistencias seguirán estando encendidas hasta desenchufar el electrodoméstico.

2. Coloque una bandeja de goteo debajo del frente de la parrilla. Use la espátula de plástico para raspar el exceso de grasa y las partículas de alimentos que queden en las placas de la parrilla; el escurrimiento caerá en la bandeja de goteo. Seque las placas con una toalla de papel o esponja para evitar que la grasa gotee sobre la superficie de trabajo al retirar las placas.
3. Retire las placas según se indica en la sección COLOCACIÓN DE LAS PLACAS REMOVIBLES (vea las ilustraciones B y C). Para limpiar las parrilla de la plancha, lávelas con agua templada en jabón; séquela bien con una toalla de papel.
4. Vacíe la bandeja de goteo y lávela con agua templada en jabón; séquela bien con una toalla de papel.
5. Vuelva a instalar las placas de la parrilla (vea las ilustraciones B y C), y asegúrese de que estén firmemente sujetas a la estructura de la parrilla.

Nota: Si lava las placas en la máquina lavaplatos, el detergente de fregar platos puede oxidar la parte de la placa sin capa protectora. Esto no es dañino.

6. Para eliminar las acumulaciones difíciles, use una esponjilla de nailon o no metálica para limpiar las placas de la parrilla.

Importante: No use esponjillas metálicas, lana de acero ni limpiadores abrasivos para limpiar ninguna parte de su parrilla; use únicamente esponjillas de nailon o no metálicas.

7. Para limpiar la tapa de la parrilla, limpie con una esponja húmeda templada y seque con un trapo seco suave.

Importante: No sumerja la estructura de la plancha en agua ni en ningún otro líquido.

8. Cualquier servicio técnico que requiera desarmar la plancha, además de la limpieza mencionada, debe ser realizado por un electricista calificado.

Precaución: Asegúrese de sujetar la tapa de la parrilla por el tirador al limpiarla para evitar que se cierre accidentalmente y provoque lesiones.

ALMACENAMIENTO

Siempre asegúrese de que la parrilla esté limpia y seca antes de almacenarla.

¿NECESITA AYUDA?

Para servicio, reparaciones o preguntas relacionadas al producto, por favor llame gratis al número "800" que aparece en la cubierta de este manual. No devuelva el producto al establecimiento de compra. No envíe el producto por correo al fabricante ni lo lleve a un centro de servicio. También puede consultar el sitio web que aparece en la cubierta de este manual.

Tres años de garantía limitada

(Aplica solamente en Estados Unidos o Canadá)

¿Qué cubre la garantía?

- La garantía cubre cualquier defecto de materiales o de mano de obra. Aplica no se responsabiliza por ningún costo que exceda el valor de compra del producto.

¿Por cuánto tiempo es válida la garantía?

- Por tres años a partir de la fecha original de compra mientras que tenga una prueba de la compra.

¿Qué clase de asistencia recibe el consumidor?

- El consumidor recibe un producto de reemplazo nuevo o restaurado de fábrica, parecido al original.

¿Cómo se obtiene el servicio necesario?

- Conserve el recibo original como comprobante de la fecha de compra.
- Se puede visitar el sitio web de asistencia al consumidor www.prodprotect.com/applica, o se puede llamar gratis al número 1-800-231-9786, para obtener información relacionada al servicio de garantía.
- Si necesita piezas o accesorios, por favor llame gratis al 1-800-738-0245.

¿Qué aspectos no cubre esta garantía?

- Los daños al producto ocasionados por el uso comercial
- Los daños ocasionados por el mal uso, abuso o negligencia
- Los productos que han sido alterados de cualquier manera
- Los productos utilizados o reparados fuera del país original de compra
- Las piezas de vidrio y demás accesorios empacados con el aparato
- Los gastos de tramitación y embarque relacionados con el reemplazo del producto
- Los daños y perjuicios indirectos o incidentales (sin embargo, por favor observe que algunos estados no permiten la exclusión ni la limitación de los daños y perjuicios indirectos ni incidentales, de manera que esta restricción podría no aplicar a usted).

¿Qué relación tiene la ley estatal con esta garantía?

- Esta garantía le otorga derechos legales específicos y el consumidor podría tener otros derechos que varían de una región a otra.

Fabricado e Impreso en la República Popular de China

Para deliciosas recetas y consejos
visite: www.georgeforemancooking.com



Añádanos a su Facebook:

[Facebook.com/georgeforemanhealthycooking](https://www.facebook.com/georgeforemanhealthycooking)



© 2013 Applica Consumer Products, Inc.

2013/9/18/84 E/S