

This Owner's Manual is provided and hosted by [Appliance Factory Parts](http://www.appliancefactoryparts.com).



George Foreman PN2035B Owner's Manual

[Shop genuine replacement parts for George Foreman
PN2035B](#)



[Find Your George Foreman Grill Parts - Select From 307 Models](#)

----- Manual continues below -----



Panini Grill

GEORGE FOREMAN®
HEALTHY COOKING

CUSTOMER CARE LINE:

USA/Canada 1-800-231-9786

Accessories/Parts (USA/Canada)

Accesorios/Partes (EE.UU./Canadá)

1-800-738-0245

For online customer service
and to register your product,
go to www.prodprotect.com/applica

3-YEAR LIMITED WARRANTY

Find healthy recipes at
www.georgeforemancooking.com

MODEL/MODELO

□ **PN2035B**

Please Read and Save this Use and Care Book.

IMPORTANT SAFEGUARDS

When using electrical appliances, basic safety precautions should always be followed, including the following:

- Read all instructions.
- Do not touch hot surfaces. Use handles or knobs.
- To protect against electric shock do not immerse cord, plugs or appliance in water or other liquid.
- Close supervision is necessary when any appliance is used by or near children.
- Unplug from outlet when not in use and before cleaning. Allow to cool before putting on or taking off parts, and before cleaning the appliance.
- Do not operate any appliance with a damaged cord or plug, or after the appliance malfunctions or has been damaged in any manner. Return appliance to the nearest authorized service facility for examination, repair or adjustment. Or, call the appropriate toll-free number on the cover of this manual.
- The use of accessory attachments not recommended by the appliance manufacturer may cause injuries.
- Do not use outdoors.
- Do not let cord hang over edge of table or counter, or touch hot surfaces.
- Do not place on or near a hot gas or electric burner, or in a heated oven.
- Extreme caution must be used when moving an appliance containing hot oil or other hot liquids.
- To disconnect, remove plug from wall outlet.
- Do not use appliance for other than intended use.

SAVE THESE INSTRUCTIONS.

This product is for household use only.

POLARIZED PLUG (120V Models Only)

This appliance has a polarized plug (one flat blade longer than the other) to reduce the risk of electric shock, this plug will fit in a standard wall outlet only one way. If the plug does not fit one way, do not reverse it. If it still does not fit, contact a qualified electrician to modify the plug in any way.

TAMPER-RESISTANT SCREW

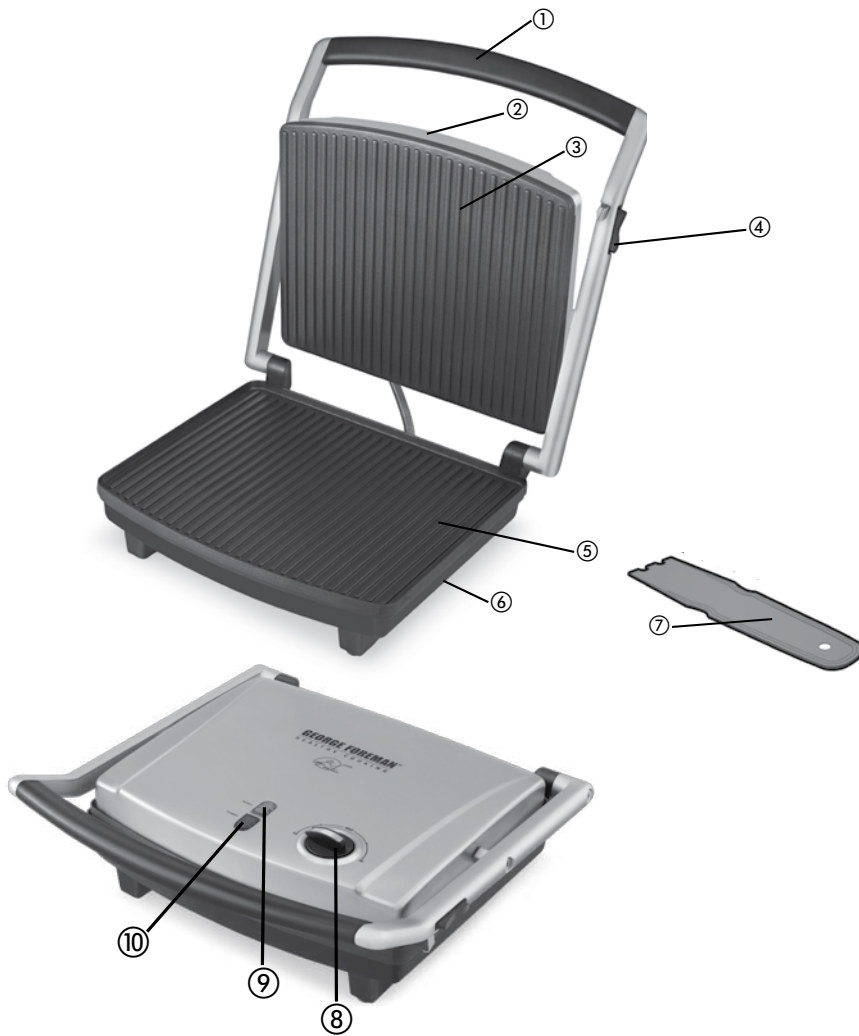
Warning: This appliance is equipped with a tamper-resistant screw to prevent removal of the outer cover. To avoid electric shock, do not attempt to remove the cover to access serviceable parts inside. Repair should be performed by qualified personnel.

ELECTRICAL CORD

- a) A short power-supply cord (or detachable power-supply cord) should be provided to reduce the risk resulting from in or tripping over a longer cord.
- b) Longer detachable power-supply cords should be used if care is exercised in their use.
- c) If a long detachable power-supply cord is used:
 - 1) The marked electrical rating of the cord or extension cord should be at least equal to the rating of the appliance,
 - 2) If the appliance is of the grounded type, the cord should be a grounding-type 3-wire cord,
 - 3) The longer cord should be arranged so that it does not hang over the countertop or tabletop where it could be stepped on or tripped over.

Note: If the power supply cord is damaged, it should be replaced by a qualified person; in Latin America, by an authorized service center.

Product may vary slightly from what is illustrated.



1. Handle
2. Lid
3. Top Panini plate
4. Vertical storage lock
5. Bottom Panini plate
6. Cord wrap (not shown; under unit)
- † 7. Spatula (Part #PN2035B-01)
8. Variable temperature control dial
9. Green ready indicator light
10. Red power light

Note: † indicates consumer replaceable/removable parts

How to Use

This product is for household use only.

GETTING STARTED

- Remove all packing material and, if applicable, remove and save literature.
- Please go to www.prodprotect.com/appliance for more information go to www.georgeforeman.com
- Wash all removable parts and/or accessories.
- Select a dry, level location for your appliance. Leave back of appliance and wall to allow heat to dissipate from cabinets.
- If the Panini grill is locked, closed see directions on how to unlock the appliance.

PREHEATING

1. Close the lid.
2. Unwind the cord and plug it into a standard wall outlet. The indicator light and the green ready light will turn on.
3. Turn the variable temperature control dial to the desired setting. See the TEMPERATURE CHARTS on pages 6, 7 and 8 for recommended cooking times.
 - o The temperature ranges from LO to HI.
 - o To increase temperature, turn the dial clockwise.
 - o To decrease temperature, turn the dial counter-clockwise to the LO setting.

Note: The temperature can be changed at any time during the preheating setting.

4. When the selected temperature is reached, the green ready light will turn on.

Note: The ready light will turn on and off during the preheating process; this is normal.

COOKING

1. Preheat the appliance at the desired setting. Once the appliance heats up.
2. Using a pot holder, carefully open the lid.

Note: The George Tough™ nonstick coating is designed to be used with oil, butter or cooking spray. If desired, you may use cooking spray. Cooking spray should never be used; chemical coatings can build up on the surface of the plates and reduce the nonstick coating.
3. Carefully place foods to be cooked on the grill. The grill accommodates 2 to 3 servings.

Important: Do not overload the cooking surface.

4. Close the lid so it rests flat directly on top of the grill.

Note: The floating hinge on the lid allows you to cook without squeezing them flat or sliding them. The lid will adjust automatically as you close the lid and the grill cooks.

5. Allow food to cook for the desired time. If desired, use a kitchen timer.

Note: Use the suggested cooking times found in the COOKING CHARTS on pages 6 and 8 as a guide.

Important: Do not leave the appliance unattended during use.

Tip: You can use light pressure on the handle to press and heat the food to your liking.

Important: Do not use heavy pressure on the lid at any time.

6. After the selected time the food should be done. If you prefer longer cooking, simply follow the steps beginning at step 4.

7. Using a pot holder, carefully open the lid.

8. Remove food using the plastic spatula provided.

Important: Always use heatproof plastic, silicone or wood utensils to avoid scratching the nonstick surface of the plates. Never use metal skewers, tongs, forks or knives.

9. When finished cooking, turn the dial to LO. Unplug to turn the appliance off; the red power light turns off.

Important: The heat continues to be ON until the appliance is unplugged.

COOKING CHARTS

COOKING CHART FOR SANDWICHES

The following settings are meant to be used as a guideline only. The times reflect a full cooking plate of food. Cooking time will depend upon thickness of the food. If the food needs longer cooking, check periodically to avoid overcooking.

SANDWICH	TEMPERATURE SETTING	COOKING TIME	COMMENTS
Panini	HI	4 – 6 minutes	Press lightly at the beginning of cooking. Cook until cheese is melted.
Grilled cheese, plain	MED-HI	4 – 5 minutes	Cook until cheese is melted and sandwich is golden.
Grilled cheese with added ingredients (like tomato, tuna, ham or bacon)	MED-HI	4 – 5 minutes	Cook until cheese is melted and sandwich is golden.
Quesadillas	HI	4 – 6 minutes	Cook until cheese is melted and tortilla is lightly browned.
Wraps	HI	4 – 6 minutes	Cook until tortilla is lightly browned and food inside is hot.

COOKING CHART FOR FRUITS AND VEGETABLES

The following settings are meant to be used on a full cooking plate of food. Cooking time will depend upon thickness of the food. (If a fork is inserted into the center of the food to test for doneness, the cooking plate should be hot.) If the food needs longer cooking, check periodically to avoid overcooking.

Note: Brush vegetables with olive oil and seasonings.

FOOD	TEMPERATURE SETTING
VEGETABLES	
Sliced yellow squash	MED-HI
Sliced peppers	MED-HI
Sliced onions	MED-HI
Asparagus spears	MED-HI
FRUITS	
Pineapple slices	MED-HI
Tomato slices	MED-HI
Quartered bananas	MED

COOKING CHART FOR MEATS

The following settings are meant to be used as a guideline only. The times reflect a full cooking plate of food. Cooking time will depend upon thickness and cut being used. Use a cooking thermometer as a test for doneness. If the food needs longer cooking, check periodically to avoid overcooking.

Note: Since this appliance has no drip tray, grill only meats that are low in fat and produce little or no drippings.

FOOD	TEMPERATURE SETTING	COOKING TIME	COMMENTS
MEAT			
Hot dogs	HI	4 – 6 minutes	Cooked to 160° F
Ham steaks	MED-HI	4 – 6 minutes	Cooked to 160° F
Reheating cooked meats or poultry	MED-HI	4 – 6 minutes	Cooked to 160° F

Please Note: To be sure your food is fully cooked, the USDA recommends the following guidelines. Using a meat thermometer, test for doneness by inserting the meat thermometer into the center of the food being cooked and make sure the thermometer is not touching the bone or cooking plates.

FOOD TO BE COOKED	MEDIUM	WELL DONE OR FULLY COOKED
Chicken breast		170°F
Chicken thigh		180°F
Beef / Lamb / Veal	160°F	170°F
Pork		160°F
Reheated cooked meats and poultry		165°F

FLOATING HINGE POSITION TIPS

- To prevent heat loss and promote even cooking, do not open the lid frequently.
- Do not overfill the appliance; it will hold 2 to 3 servings comfortably.
- When first cooking a particular food, check for doneness several minutes before suggested time; if necessary adjust the time.
- If cooking more than one piece of food, try to have them similar in size and thickness.
- Remember that since the appliance is cooking from both sides cooking time will probably be shorter than expected. Watch carefully to avoid overcooking.
- For added flavor, add dry seasonings before grilling or marinate foods before cooking.

Care and Cleaning

This appliance contains no user-serviceable personnel.

CLEANING

Caution: To avoid accidental burns, allow a cleaning.

1. Before cleaning, unplug grill from outlet.

Important: Heat will continue to be ON until the grill is cooled.

2. You may wash the plates by hand using hot water with a mild detergent. Rinse with clean water and dry with an absorbent paper towel before use.

Tip: To make the plates easier to simply wipe with damp paper towels across the entire surface. Allow to sit about 15 minutes. After 15 minutes, wipe the plates clean.

Note: To remove stubborn buildup, use a nylon scrubber on the grill plates.

Important: Do not use metallic scrubbing pads to clean any part of your grill; use only nylon.

3. To clean the lid, wipe with a warm, damp cloth.

Important: Do not immerse body of appliance in water.

Note: Any servicing requiring disassembly of the grill should be performed by a qualified electrician.

STORAGE

Note: Always make sure the appliance is clean before storage.

Vertical Storage Lock

This appliance has a lock button on the right side of the button closest to the front of the grill. Press the button in place for storage.

To unlock, press the side of the button towards the front of the grill to open.

Cord Wrap

For storage, wrap the cord around the plastic handle of the grill.

TROUBLESHOOTING

PROBLEM	POSSIBLE CAUSE	SOLUTION
Finish on cooking plates is scratched or has cut marks.	Metal utensils have been used.	Always use silicone, heatproof plastic or wood utensils to avoid scratching nonstick surface of the plates. Never use metal spatulas, skewers, tongs, forks or knives.
The green ready light turns on and off.	The heating elements are cycling.	This is normal. The green light turns on when the set temperature is reached. However, it will cycle on and off to indicate the correct temperature is being maintained.
Marks on food are very light. The food looks steamed.	Appliance was not fully preheated before use.	Always preheat fully before cooking any foods.
There is food buildup on the cooking plates.	Plates were not properly cleaned after use.	Use nylon scrubbing pad and hot, soapy water to clean the plates. Do not use steel wool scrubbing pads or abrasive cleaners.
Food is dry and burnt.	Food is overcooked.	Since food is cooking from both sides, it cooks much faster than in a skillet or under a broiler. Use cooking chart as a guide and check food at lowest time stated on chart.
Appliance does not turn on.	Appliance is not plugged in.	Check to be sure appliance is plugged into working outlet.
Cooking plates have white spots.	The water from cleaning has dried on the surface of the plates.	Dry plates immediately after washing.

RECIPES

BEEF, GORGONZOLA AND BASIL PANINI

4 thick slices seeded Italian bread
 Olive oil
 6 oz. thinly sliced deli roast beef
 ½ cup grilled onion rings
 4 oz. crumbled gorgonzola
 4 large basil leaves

1 medium tomato, sliced
 Preheat Panini grill on HI setting.

Brush one side of each slice of bread with olive oil on cutting board or work surface. Place beef on top of bread, followed by onion rings, cheese, basil leaves and tomato slices. Place second slice of bread on top, oiled side out.

Cook in preheated Panini grill 4 – 5 minutes until sandwich is heated through.

Makes 2 sandwiches.

CRAB AND AVACADO WRAP

8 oz. crab meat
 ½ cup diced avocado
 ¼ cup diced grilled sweet onion
 1 plum tomato, diced
 2 tbsp. chopped fresh cilantro leaves
 ¼ tsp. ground cumin
 ¼ tsp. salt
 ¼ cup light mayonnaise
 1 tbsp. fresh lime juice
 4, 12" flour tortillas or sandwich wraps

Olive oil
 Preheat Panini grill on HI setting.

In medium bowl, combine first 9 ingredients. Lay 1 wrap on work surface. Place ¼ crab mixture on one side of wrap and roll up like burrito, enclosing remaining filling and wraps. (The wraps can be made ahead if making ahead wrap each tightly with plastic wrap.)

Brush outside of wrap with olive oil. Cook in Panini grill until bread is golden and mixture is heated.

Makes 4 wraps.

GRILLED CUBAN SANDWICH

4 large thick slices Cuban, French or Italian bread, sliced diagonally

Olive oil

2 tbsp. mayonnaise

1 small clove garlic, minced

4 dill pickles, sliced lengthwise

2 slices Swiss cheese

3 oz. sliced roast pork

3 oz. sliced turkey

Preheat Panini grill on HI setting.

Brush one side of each slice of bread with olive oil; placed brushed side down on cutting board or work surface. Combine mayonnaise and garlic; blend well. Spread mayonnaise mixture on top of 2 slices of bread. Top with pickles, cheese, pork and turkey. Top with remaining 2 slices of bread placed oiled side out.

Cook in preheated Panini grill about 5 minutes until bread is golden, cheese is melted and sandwich is heated through.

Makes 2 sandwiches.

SQUASH AND MOZZARELLA WRAP

1 cup diced grilled yellow squash

1 cup diced grilled zucchini

½ cup packaged mushroom bruschetta

½ cup shredded Mozzarella cheese

½ cup diced tomato

¼ cup chopped pitted ripe olives

2 tbsp. chopped fresh basil

1 medium clove garlic, minced

¼ tsp. salt

4, 12" tomato flour tortillas or sandwich wraps

Olive oil

Preheat Panini grill on HI setting.

In medium bowl, combine first 9 ingredients. Toss to blend well.

Lay 1 wrap on work surface. Place ¼ squash mixture at one end of wrap. Fold in short sides of wrap and roll up like burrito, enclosing filling completely. Repeat with remaining filling and wraps. (Can be made 4 hours ahead. Wrap tightly with plastic wrap; keep refrigerated.)

Brush outside of wrap with olive oil. Cook in preheated Panini grill 4 – 5 minutes until bread is golden and mixture is heated.

Makes 4 wraps.

TURKEY AND PROVOLONE PANINI

4 thick slices Ciabatta or Artisan Italian bread

Olive oil

¼ cup jarred bruschetta with extra garlic

1 fresh or jarred roasted pepper, cut in strips

¼ cup green pepper strips

3 oz. thinly sliced Provolone cheese

4 oz. thinly sliced seasoned turkey

Preheat Panini grill on HI setting.

Brush one side of each slice of bread with olive oil; placed brushed side down on cutting board or work surface. Spread bruschetta, pepper strips, cheese and turkey. Top with remaining slice of bread.

Cook in preheated Panini grill 4 – 5 minutes until sandwich is heated through.

Makes 2 sandwiches.

ORANGE CHEESE PANINI

4 oz. lite cream cheese, softened

1 tbsp. light brown sugar

¼ tsp. ground cinnamon

¼ cup chopped toasted almonds

6 slices cinnamon raisin bread

2 navel oranges, peeled and sliced

2 tbsp. melted butter or margarine

Preheat Panini grill on MED-HI setting.

In small bowl, blend cream cheese, brown sugar and cinnamon.

Spread cheese mixture on 3 slices of bread.

Place 2 slices of bread on top of each slice of bread.

Brush outside of all slices of bread with melted butter.

Cook in preheated Panini grill about 4 minutes until sandwich is heated through.

Makes 3 sandwiches.

PROSCUITTO PESTO PANINI

4 thick slices seeded Italian bread cut diagonally

1 tbsp. extra virgin olive oil

2 tbsp. prepared pesto

2 oz. thinly sliced prosciutto

2 oz. thinly sliced dry salami

2 ripe tomatoes, thinly sliced

2 oz. sliced mozzarella cheese

Preheat Panini grill on HI setting.

Brush one side of each slice of bread with olive oil; placed brushed side down on cutting board or work surface. Spread pesto on top of 2 slices of bread. Top with prosciutto, salami, cheese and tomatoes. Top with remaining 2 slices of bread placed oiled side out.

Cook in preheated Panini grill about 4 minutes until bread is golden, cheese is melted and sandwich is heated through.

Makes 2 sandwiches.

TUNA MELT

1 can (7 oz.) tuna, drained and flaked

2 green onions, thinly sliced

2 tbsp. finely chopped red pepper

1 tbsp. chopped parsley

3 tbsp. light mayonnaise

1 tsp. fresh lemon juice

3 multigrain sandwich thins, split

6 thin slices purple onion

1 large tomato, thinly sliced

1 tbsp. extra virgin olive oil

Preheat Panini grill on MED-HI setting.

In medium bowl, combine first 6 ingredients; blend well. Brush outside of each sandwich thin with olive oil; placed brushed side of bottom of sandwich thins down on cutting board or work surface. Divide tuna mixture, purple onion slices tomato slices on top surface of 3 sandwich thins. Place tops of sandwich thins on tomatoes, oiled side out.

Cook in preheated Panini grill about 4 minutes until bread is golden, cheese is melted and sandwich is heated through.

Makes 2 sandwiches.

TUSCAN PANINI WITH PESTO

2 large thick slices Ciabatta, Tuscan or Artisan

Olive oil

2 tbsp. jarred traditional basil pesto

3 oz. sliced roasted chicken, thinly sliced

2 slices Asiago cheese

3 slices tomato

Preheat Panini grill on HI setting.

Brush one side of each slice of bread with olive oil; placed brushed side down on cutting board or work surface. Spread basil pesto on top of 2 slices of bread. Top with chicken, cheese and tomato. Top with remaining 2 slices of bread placed oiled side out.

Cook in preheated Panini grill about 5 minutes until bread is golden, cheese is melted and sandwich is heated through.

Makes 1 large sandwich.

GROWN-UP GRILLED CHEESE

4 slices hearty wheat bread

2 tbsp. melted butter

1 large tomato sliced

6 slices crisp bacon

4 slices (about 1/3 lb.) white Cheddar cheese

1/2 cup arugula

2 tbsp. bottled balsamic vinaigrette

Preheat Panini grill on HI setting.

Spread melted butter on one side of each slice of bread; placed buttered side down on cutting board or work surface. Top with tomato, bacon, cheese and arugula. Drizzle with vinaigrette. Cover with remaining slices of bread with buttered side out.

Cook in preheated Panini grill about 5 minutes until bread is golden, cheese is melted.

Makes 2 sandwiches.

HAM AND PINEAPPLE GRILL

- ¼ cup pineapple preserves
- ¼ cup chopped canned peaches
- 1 tbsp. finely diced candied ginger
- 4 slices sourdough bread
- 4 oz. thinly sliced ham
- 4 oz. brie, sliced
- 2 tbsp. melted butter

Preheat Panini grill on HI setting

In small bowl, combine preserves, peaches and ginger; set aside.

Spread melted butter on one side of each slice of bread. Place 2 slices of bread buttered side down on cutting board, spread pineapple mixture on bread. Top each slice of bread with ham and cheese. Cover with remaining slices of bread with buttered side up.

Cook in preheated Panini grill about 5 minutes until bread is golden and cheese is softened.

Makes 2 sandwiches.

NEED HELP?

For service, repair or any questions regarding your product, call the toll-free 1-800-231-9786 number on cover of this book. Please DO NOT purchase. Also, please DO NOT mail product to our service center.

You may also want to consult the website listed on the back cover.

Three-Year Limited Warranty (Applies only in the United States and Canada)

What does it cover?

- Any defect in material or workmanship provided the product does not exceed the purchase price of product.

For how long?

- Three years from the date of original purchase.

What will we do to help you?

- Provide you with a reasonably similar replacement product or factory refurbished.

How do you get service?

- Save your receipt as proof of date of sale.
- Check our on-line service site at www.proctor-kelch.com or call our toll-free number, 1-800-231-9786, for general information.
- If you need parts or accessories, please call 1-800-231-9786.

What does your warranty not cover?

- Damage from commercial use
- Damage from misuse, abuse or neglect
- Products that have been modified in any way
- Products used or serviced outside the country of purchase
- Glass parts and other accessory items that are not part of the product
- Shipping and handling costs associated with the product
- Consequential or incidental damages (Please note: Some states do not allow the exclusion or limitation of consequential damages. This limitation may not apply to you.)

How does state law relate to this warranty?

- This warranty gives you specific legal rights which may vary from state to state or province to province.

Made in People's Republic of China
Printed in People's Republic of China

Por favor lea este instructivo antes de usar el producto.

INSTRUCCIONES IMPORTANTES DE SEGURIDAD

Cuando se usan aparatos eléctricos, siempre se deben respetar las siguientes medidas básicas de seguridad:

- Por favor lea todas las instrucciones.
- No toque las superficies calientes. Use las asas o las perillas.
- A fin de protegerse contra un choque eléctrico y lesiones a las personas, no sumerja el cable, los enchufes ni el aparato en agua ni en ningún otro líquido.
- Todo aparato eléctrico usado en la presencia de los niños o por ellos mismos requiere la supervisión de un adulto.
- Desconecte el aparato del tomacorriente cuando no esté en uso y antes de limpiarlo. Espere que el aparato se enfríe antes de instalarle o retirarle piezas y antes de limpiarlo.
- No use ningún aparato eléctrico que tenga el cable o el enchufe averiado, que presente un problema de funcionamiento o que esté dañado. Acuda a un centro de servicio autorizado para que lo examinen, reparen o ajusten o llame gratis al número correspondiente en la cubierta de este manual.
- El uso de accesorios no recomendados por el fabricante del aparato puede ocasionar incendio, choque eléctrico o lesiones a las personas.
- No use este aparato a la intemperie.
- No permita que el cable cuelgue del borde de la mesa o del mostrador ni que entre en contacto con superficies calientes.
- No coloque el aparato sobre ni cerca de las hornillas de gas o eléctricas ni adentro de un horno caliente.
- Se debe tener muchísimo cuidado al mover un aparato cuando tiene aceite u otros líquidos calientes.
- Para desconectar, retire el enchufe del tomacorriente.
- Este aparato se debe usar únicamente con el fin previsto.

CONSERVE ESTAS INSTRUCCIONES.

Este aparato eléctrico es para uso doméstico solamente.

ENCHUFE POLARIZADO (Solamente para)

Este aparato cuenta con un enchufe polarizado (que el otro). A fin de reducir el riesgo de incendio, asegure el enchufe en un tomacorriente polarizado. Si el enchufe no entra en el tomacorriente, inviértalo y si persiste el problema, consulte a un electricista. Por favor no trate de alterar el enchufe.

TORNILLO DE SEGURIDAD

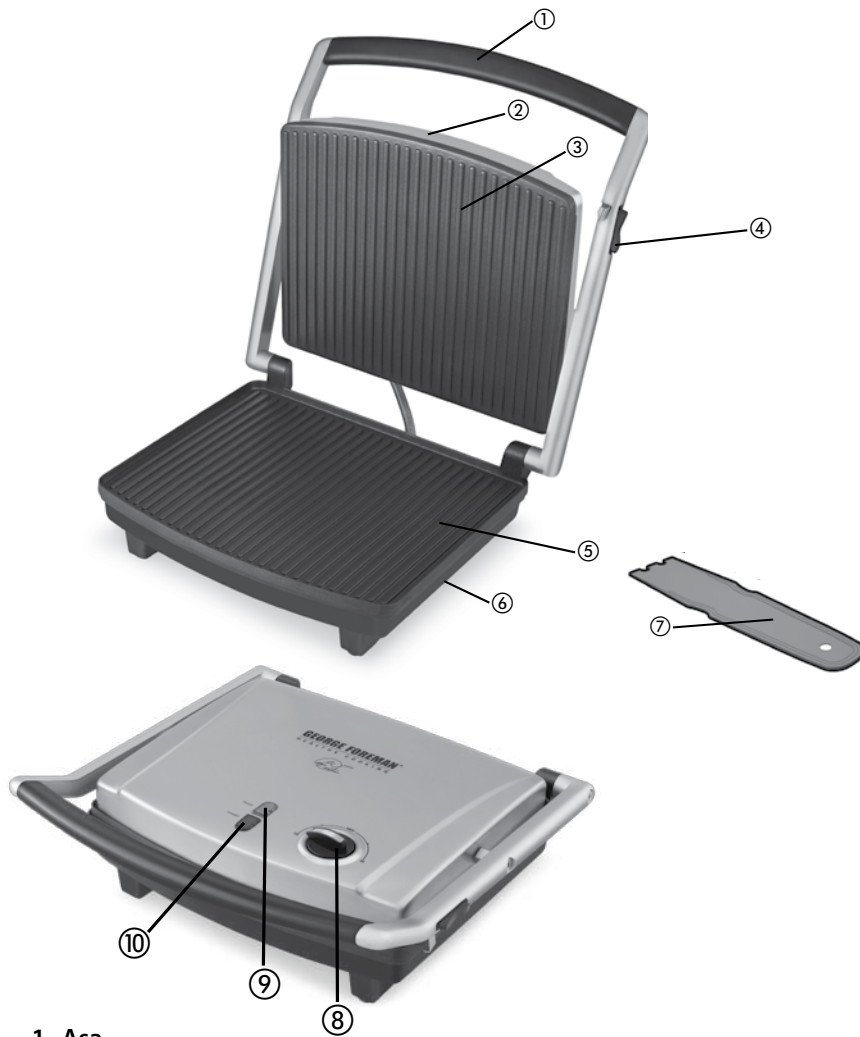
Advertencia: Este aparato cuenta con un tornillo de seguridad. La remoción de la cubierta exterior del aparato puede ocasionar incendio o de choque eléctrico, por favor no lo retire. Este producto no contiene piezas de repuesto. Toda reparación se debe llevar a cabo por un técnico autorizado.

CABLE ELÉCTRICO

- a) El producto se debe de proporcionar con un cable (separable), a fin de reducir el riesgo de incendio, asegure el cable más largo.
- b) Existen cables eléctricos más largos y uno puede utilizar si toma el cuidado de seguir las siguientes instrucciones:
- c) Si se utiliza un cable separable o de extensión:
 - 1) El régimen nominal del cable separable debe ser, como mínimo, igual al del régimen nominal del cable principal.
 - 2) Si el aparato es de conexión a tierra, asegure el cable de tres alambres de conexión a tierra.
 - 3) Uno debe de acomodar el cable de extensión del mostrador o de la mesa, para que no quede colgando, para que alguien se tropiece.

Nota: Si el cordón de alimentación está certificado por un electricista calificado, en América Latina, por el cen-

El producto puede variar ligeramente del que aparece ilustrado aquí.



1. Asa
2. Tapa
3. Placa para Panini superior
4. Cierre con seguro para almacenaje vertical
5. Placa para Panini inferior
6. Guardacable (no mostrado; debajo del aparato)
- † 7. Espátula (Pieza #PN2035B-01)
8. Selector de temperatura
9. Luz verde indicadora de que el aparato está listo (READY)
10. Luz roja indicadora de funcionamiento (POWER)

Nota: † indica piezas desmontables/reemplazables por el consumidor

Como usar

Este producto es para uso doméstico solamente.

PRIMEROS PASOS

- Retire todo el material de empaque y cualquier otro material que se encuentre dentro del producto y retire y guarde el material de lectura.
- Por favor, ir a www.prodprotect.com/app para obtener información adicional, ir a www.georgeforeman.com para obtener más información.
- Lave las piezas removibles y/o los accesorios antes de usarlos. Véase la sección LIMPIEZA de este manual.
- Seleccione el lugar seco, nivelado donde se instalará el producto, con suficiente espacio entre la parte de atrás del aparato y la pared para que el aire fluya sin dañar armarios y paredes.
- Si la plancha para Panini está cerrada con el seguro, véase la sección PARA ALMACENAJE en la página 26 para obtener más información.

PARA PRECALENTAR

1. Cierre la tapa.
2. Desenrolle el cable y enchúfelo a un tomacorriente. La luz verde se encenderá.
3. Ajuste el selector de temperatura según las instrucciones en las páginas 23 a 25 para los niveles de temperatura.
 - o El rango de temperatura es de LO (bajo).
 - o Para incrementar la temperatura, gire el selector del reloj hacia el nivel HI (alto).
 - o Para disminuir la temperatura, gire el selector del reloj hacia el nivel LO (bajo).

Nota: La temperatura puede ajustarse en cualquier momento a cualquier nivel deseado.

4. Una vez que alcance la temperatura deseada, la luz verde se apagará y el aparato está listo se apagará.

Nota: La luz verde se prenderá y apagará durante el calentamiento; esto es normal.

PARA COCINAR

1. Precaliente el aparato a la temperatura deseada. La luz verde se apagará y el aparato se calienta.

2. Con una agarradera, abra la tapa cuidadosamente.

Nota: La capa antiadherente George Tough™ requiere un poco de aceite para trabajar sin aceite, mantequilla o spray antiadherente. La mantequilla o aceite permiten que salga se acumulan en la superficie.

3. Cuidadosamente, coloque los alimentos en la placa superior.
Este aparato usualmente acomoda de 2 a 3 panes.

Importante: No sobrellene la placa de cocción.

4. Cierre la tapa de forma que descansa directamente sobre los alimentos.

Nota: La bisagra flotante que tiene la tapa le permite cocinar sándwiches y otros alimentos de mayor grosor sin aplastarlos, ni deslizar el pan de lugar. Simplemente deje que la bisagra se ajuste automáticamente al cerrar la tapa y ésta descansará encima de los alimentos.

5. Permita que los alimentos se cocinen por el tiempo deseado. Si gusta, puede utilizar un reloj automático de cocina.

Nota: Use los tiempos sugeridos en las TABLAS DE COCCIÓN en las páginas 23 a 25 cómo guía.

Importante: No deje el aparato desatendido durante su uso.

Consejo: Usted puede aplicar presión ligera sobre el asa para prensar y calentar los alimentos a su gusto.

Importante: No aplique presión fuerte sobre el asa en ningún momento.

6. Luego de transcurrido el tiempo seleccionado, los alimentos deben estar listos. Si usted prefiere cocinarlos durante más tiempo, simplemente siga los pasos anteriores, comenzando por el número 4.

7. Cuidadosamente, abra la tapa con una agarradera.

8. Retire los alimentos usando la espátula proporcionada.

Importante: Utilice siempre utensilios plásticos, de nailon o madera, resistentes al calor para evitar rayar la superficie antiadherente de las placas. Nunca use pinchos, pinzas, tenedores, ni cuchillos de metal.

9. Cuando termine de cocinar, ajuste el control de temperatura al nivel LO (bajo) y desenchufe el aparato.

Importante: Los elementos de calentamiento seguirán estando encendidos hasta desenchufar el electrodoméstico.

TABLAS DE COCCIÓN

TABLA DE COCCIÓN PARA HACER SÁNDWICHES

Las siguientes cantidades de tiempo se deben reflejar el uso de un plato lleno de comida del sándwich. Si la comida necesita cocinarse para evitar cocinarla de más.

SÁNDWICHES	NIVEL DE TEMPERATURA
Panini	HI
Sándwich de queso prensado, sencillo	MED-HI
Sándwich de queso prensado, con ingredientes por encima (cómo tomate, jamón o tocino)	MED-HI
Quesadillas	HI
Rollitos	HI

TABLA DE SUGERENCIAS PARA LA COCCIÓN DE FRUTAS Y VEGETALES

Las siguientes cantidades de tiempo se deben usar cómo guía solamente. Los tiempos reflejan el uso de un plato lleno de comida. El tiempo de cocción depende del grosor de los alimentos. Inserte un tenedor en el centro de los alimentos para probar el término. (Tenga cuidado de no tocar el plato de cocina). Si la comida necesita cocinarse más tiempo, verifique periódicamente para evitar cocinarla de más.

Nota: Úntele aceite de oliva a los vegetales y sazónelos con sal y pimienta antes de asarlos.

ALIMENTO	NIVEL DE TEMPERATURA	TIEMPO DE COCCIÓN	COMENTARIOS
VEGETALES			
Calabaza amarilla en tajadas	MED-HI	3 – 5 minutos	½ pulgada de grosor; Cocinar hasta que se ablande.
Pimientos en tajadas	MED-HI	5 – 7 minutos	½ pulgada de grosor; Cocinar hasta que se ablande.
Cebollas en tajadas	MED-HI	5 – 7 minutos	½ pulgada de grosor; Cocinar hasta que se ablande.
Espárragos	MED-HI	4 – 6 minutos	1 lb. recortados, sazonados con aceite de oliva y jugo de limón.
FRUTAS			
Piña en tajadas	MED-HI	3 – 5 minutos	Espolvorear con azúcar morena y canela.
Tomate en tajadas	MED-HI	3 – 5 minutos	Sazonar con aceite de oliva, sal y pimienta.
Bananas picadas en cuartos	MED	2 – 4 minutos	Espolvorear con azúcar morena y canela.

TIEMPOS DE COCCIÓN SUGERIDOS PARA CARNE

Las siguientes cantidades de tiempo se deben usar cómo guía solamente. Los tiempos reflejan el uso de un plato lleno de comida. El tiempo de cocción depende del tipo y del corte de carne que se use. Utilice un termómetro para probar el término. Si la comida necesita cocinarse más tiempo, verifique periódicamente para evitar cocinarla de más.

Nota: Ya que este aparato no tiene bandeja para goteo, asegure que la grasa que no goteen o que goteen poco.

ALIMENTO	NIVEL DE TEMPERATURA
CARNE	
Perros calientes	HI
Bistec de jamón	MED-HI
Recalentar carnes o aves ya cocinadas	MED-HI

Por favor notar: Para asegurar que su comida se cocine correctamente, siga las siguientes pautas. Usar un termómetro para probar el término de los alimentos insertando el termómetro en el centro del hueso, ni el plato de cocina.

ALIMENTO A COCINAR	TÉRMINO
Pechuga de pollo	
Muslo de pollo	
Carne / Cordero / Ternera	
Cerdo	
Carnes y aves recalentadas	

CONSEJOS PARA USO DE LA POSICIÓN COCCIÓN

- Para prevenir pérdida de calor y promover una cocción uniforme, cocine con frecuencia.
- No sobrellene el aparato; éste acomoda mejor una sola pieza de comida.
- Cuando cocine un alimento en particular, cocine primero por unos minutos antes del tiempo sugerido para probar el término.
- Si cocina más de un pedazo de comida, tome en cuenta el tipo de carne y grosor.
- Recuerde que cuando el aparato cocina por un tiempo más largo, el tiempo probablemente será más corto de lo esperado. Cocine primero por unos minutos para evitar cocinar los alimentos de más.
- Para añadir sabor, añada sazones secas antes de cocinarlos.

Cuidado y limpieza

Este aparato no contiene piezas reparables por el consumidor. Para servicio, por favor acuda a personal calificado.

LIMPIEZA

Precaución: Para evitar quemaduras accidentales, espere hasta que la plancha se enfríe completamente antes de limpiarla.

1. Antes de limpiar, desenchufe el aparato del tomacorriente de la pared y deje que se enfríe.

Importante: Los elementos de calentamiento seguirán estando encendidos hasta desenchufar el electrodoméstico.

2. Usted puede lavar las placas a mano en agua tibia jabonada o en la lavaplatos. Siempre séquelas con un papel toalla absorbente antes de volver a colocarlas en su lugar.

Consejo: Para limpiar las placas de forma más fácil con un paño, permita que la parrilla se enfríe, luego coloque papel toalla húmedo sobre toda la superficie de la placa inferior. Cierre la tapa y déjela reposar alrededor de 15 minutos. Luego de 15 minutos, abra la tapa, retire el papel toalla y frote las placas con un paño.

Nota: Para retirar cualquier acumulación de comida difícil, use un estropajo de nailon o no metálico para limpiar las placas de la parrilla.

Importante: No use estropajos de metal, ni almohadillas de aluminio, ni limpiadores abrasivos para limpiar ninguna parte de su parrilla; use solo estropajos de nailon o no metálicos.

3. Para limpiar la tapa, pásele una esponja húmeda en agua tibia y séquela con un paño suave y seco.

Importante: No sumerja el cuerpo del aparato en agua o ningún otro líquido.

Nota: Cualquier servicio que requiere desarmar el aparato de forma alguna, que además de la forma descrita anteriormente para su limpieza, debe llevarse a cabo por un electricista calificado.

ALMACENAMIENTO

Nota: Siempre asegúrese de que el aparato esté limpio y seco antes de almacenarlo.

Cierre con seguro para almacenaje

Este aparato tiene un botón de cierre en la parte derecha del asa. Al presionar el lado del botón más cercano a la parte de adelante del asa. La tapa de la plancha para Panini se cierra con seguro para que se pueda almacenar. Para abrir el cierre nuevamente, presione el lado del botón hacia la parte de atrás del asa. La plancha se abrirá.

Enrollacable

Para almacenar la unidad, enrolle el cable alrededor del enrollacable ubicado en la parte de abajo de la plancha para Panini.

RESOLUCIÓN DE PROBLEMAS

PROBLEMA	POSIBLE CAUSA
La terminación de las placas de cocción está rayada o tiene marcas de cortes.	Se han utilizado utensilios de metal.
La luz verde indicadora de listo se enciende y se apaga.	Los elementos calefactores están en su ciclo.
Las marcas en la comida quedan muy claras. La comida parece hervida.	El aparato no se precalentó completamente de su uso.
Hay acumulación de comida sobre las placas de cocción.	Las placas no se lavaron correctamente después de su uso.
Los alimentos están secos y quemados.	Los alimentos se cocinaron demasiado.
El aparato no se enciende.	El aparato no está enchufado.
Las placas de cocción tienen manchas blancas.	El agua de la limpieza se ha secado sobre la superficie de las placas.

RECETAS

PANINI DE CARNE, QUESO GORGONZOLA Y ALBAHACA

Aceite de oliva

6 tajadas finas de rosbif

½ taza de aros de cebolla asados

4 oz. queso gorgonzola en trozitos

4 hojas grandes de albahaca

1 tomate mediano, en tajadas

Precaliente la plancha para Panini al nivel HI (ALTO).

Úntele aceite de oliva a cada rebanada de pan, coloque el lado con aceite hacia abajo sobre la tabla de cortar o la superficie de trabajo. Coloque el rosbif sobre 2 rebanadas de pan. Colóquelo por encima los aros de cebolla, el queso, las hojas de albahaca y las tajadas de tomate. Por último coloque las 2 rebanadas de pan que quedan, con el lado aceitado hacia fuera.

Cocinar en la plancha para Panini precalentada alrededor de 4 – 5 minutos hasta que el pan se dore, el queso se derrita y el sándwich se cocine por dentro.

Rinde 2 sándwiches

WRAP DE CANGREJO Y AGUACATE

8 oz. carne de cangrejo

½ taza de aguacate en cubitos

¼ taza de cebolla dulce en cubitos

1 tomato cereza, en cubitos

2 cdas. hojas de cilantro fresco picado

¼ cda. comino molido

¼ cda. sal

¼ taza de mayonesa baja en calorías

1 cda. jugo de lima fresco

4, tortillas de harina o wraps para sándwiches de 12"

Aceite de oliva

Precalentar la plancha para Panini a temperatura HI (ALTA).

Coloque 1 wrap sobre la superficie de trabajo. Coloque ¼ de la mezcla de cangrejo en uno de los bordes del wrap. Doble los lados cortos del wrap hacia adentro y enróllelo como un burrito, encerrando el relleno por completo.

Repita lo mismo con el resto del relleno y los wraps.) Los wraps se pueden hacer hasta 4 horas antes de cocinarlas; si las va hacer por adelantado, enróllelas en papel plástico y manténgalas en el refrigerador.

Úntele aceite de oliva al wrap por la parte de afuera. Cocínelas en la plancha para Panini ya precalentada de 4 – 5 minutos hasta que el pan se dore y la mezcla de caliente.

Rinde 4 wraps.

SANDWICH CUBANO A LA PLANCHA

4 rebanadas grandes, gruesas de pan Cubano

Aceite de oliva

2 cdas. mayonesa

1 diente de ajo pequeño, bien picado

4 pepinillos, picados a lo largo

2 lascas de queso suizo

3 oz. cerdo asado en lascas

3 oz. pavo en lascas

Precaliente la plancha Panini a nivel HI (ALTO).

Úntele aceite de oliva a un lado del pan; coloque el otro lado sobre la tabla de picar o superficie de trabajo. Combine la mezcla de mayonesa por encima de

encima los pepinillos, el queso, cerdo y pavo. Coloque las 2 rebanadas de pan restantes con el aceite hacia afuera.

Cocinar en la plancha para Panini precalentada alrededor de 4 – 5 minutos hasta que el pan se dore, el queso se derrita y el sándwich se cocine por dentro.

Rinde 2 sándwiches.

WRAP DE CALABAZA Y QUESO MOZZARELLA

1 taza de calabaza amarilla asada, en cubitos

1 taza calabacín, en cubitos

½ taza bruschetta de hongo de paquete

½ taza de queso Mozzarella rayado

½ taza de tomate, en cubitos

¼ taza aceitunas sin semillas, picadas

2 cdas. albahaca fresca picada

1 diente de ajo mediano, bien picado

¼ cda. sal

4, tortillas de harina de tomate o wraps para sándwiches de 12"

Aceite de oliva

Precaliente la plancha para Panini a nivel HI (ALTA).

En un recipiente mediano, combine los ingredientes de la mezcla de calabaza y queso.

Coloque 1 wrap sobre la superficie de trabajo. Coloque ¼ de la mezcla de calabaza y queso en uno de los bordes del wrap. Doble los lados cortos del wrap hacia adentro y enróllelo como un burrito, encerrando el relleno por completo.

Repita lo mismo con el resto del relleno y los wraps.) Los wraps se pueden hacer hasta 4 horas antes de cocinarlos; si los va hacer por adelantado, enróllelos en papel plástico y manténgalos en el refrigerador.

Úntele aceite de oliva por la parte de afuera. Cocínelas en la plancha para Panini ya precalentada de 4 – 5 minutos hasta que el pan se dore y la mezcla de caliente.

Rinde 4 wraps.

PANINI DE PAVO Y QUESO PROVOLONE

4 rebanadas gruesas de pan Ciabatta o pan de artesano italiano

Aceite de oliva

¼ taza de bruschetta en conserva con ajo adicional

1 pimiento rojo asado fresco o en conserva, picado en tiras

¼ taza de pimiento verde en tiras

3 oz. queso Provolone en lascas finas

4 oz. pavo sazonado en lascas finas

Precaliente la plancha para Panini al nivel HI (ALTO).

Úntele aceite de oliva por un lado a cada rebanada de pan; coloque el lado con aceite hacia abajo sobre una tabla para picar o una superficie de trabajo. Úntele la bruschetta por encima de 2 de las rebanadas de pan. Colóquele por encima las tiras de pimiento, el queso y el pavo. Por último colóquele las 2 rebanadas de pan que quedan con el lado aceitado hacia afuera.

Cocinar en la plancha para Panini 4 – 5 minutos hasta que el pan se dore, el queso se derrita y el sándwich se caliente por dentro.

Rinde 2 sandwiches.

PANINI DE NARANJA Y QUESO

4 oz. queso crema bajo en calorías, suavizado

1 cda. azúcar morena clara

¼ cda. canela en polvo

¼ taza de almendras tostadas picadas

6 rebanadas de pan de canela y pasas

2 naranjas navelinas, peladas y en tajadas

2 cdas. mantequilla o margarina derretida

Precaliente la plancha para Panini a nivel MED-HI (MED-ALTO).

En un recipiente pequeño, mezcle el queso crema, el azúcar morena y la canela.

Revuélvase dentro las almendras.

Úntele la mezcla de queso a 3 de las rebanadas de pan. Colóquele por encima las tajadas de naranja y luego las rebanadas de pan que quedan. Úntele la mantequilla derretida por fuera al pan.

Cocinar en la plancha para Panini precalentada alrededor de 4 minutos hasta que el pan se dore y el sándwich se caliente por dentro.

Rinde 3 sandwiches.

PANINI DE PROSCIUTTO Y PESTO

4 rebanadas gruesas de pan italiano con semillas

1 cda. de aceite de oliva extra virgen

2 cdas. pesto preparado

2 oz. prosciutto en lascas finas

2 oz. salami seco en lascas finas

2 tomates maduros, en tajadas finas

2 oz. queso Mozzarella en lascas finas

Precaliente la plancha para Panini a nivel HI

Úntele aceite de oliva a cada rebanada de pan

tabla de picar o la superficie de trabajo. Úntele

Colóquele encima el prosciutto, salami, que

encima las rebanadas de pan, con el lado ace

Cocinar en la plancha para Panini precalenta

pan se dore, el queso se derrita y el sándwich

Rinde 2 sándwiches.

SANDWICH DE ATÚN CON QUESO DERRETIDO

1 lata (7 oz.) atún, escurrido y desmenuzado

2 cebollinos, en tajadas finas

2 cdas. pimiento rojo bien picado

1 cda. perejil picado

3 cdas. mayonesa baja en calorías

1 cda. jugo de limón fresco

6 rebanadas finas de pan multigrano

6 tajadas finas de cebolla morada

1 tomate grande, en tajadas finas

1 cda. aceite de oliva extra virgen

Precaliente la plancha para Panini a nivel MED

En un recipiente mediano, combine los 6 pr

Úntele aceite de oliva por fuera a cada reban

parte de abajo del sándwich sobre la tabla de

mezcla de tuna, las tajadas de cebolla y tom

las rebanadas de pan encima, con la parte a

Cocinar en la plancha para Panini precalenta

pan se dore el queso se derrita y el sándwich

Rinde 2 sándwiches.

PANINI TOSCANO CON PESTO

2 rebanadas grandes y gruesas de pan Ciabatta, Toscano o pan de artesano italiano
Aceite de oliva
2 cdas. de pesto tradicional de albahaca
3 oz. pollo asado en lascas finas
2 lascas de queso Asiago
3 tajadas de tomate

Precalentar la plancha Panini a nivel HI (ALTO).

Úntele aceite de oliva a un lado de cada rebanada de pan; coloque el lado aceitado hacia abajo sobre la tabla de cortar o la superficie de trabajo. Untele el pesto de albahaca por encima a una de las rebanadas de pan. Coloque por encima el pollo, queso y tomate. Coloque por último la rebanada de pan que queda, con el lado aceitado hacia afuera.

Cocinar en la plancha para Panini alrededor de 5 minutos hasta que el pan se dore, el queso se derrita y el sándwich se caliente por dentro.

Rinde 1 sándwich grande.

SÁNDWICH DE QUESO DERRETIDO CRECIDO

4 rebanadas de pan integral
2 cdas, mantequilla derretida
1 tomate grande, en tajadas
6 lascas de tocino crujientes
4 lascas (alrededor de $\frac{1}{3}$ lb.) queso Cheddar blanco
 $\frac{1}{2}$ taza de rúgola
2 cdas. vinagre balsámico de botella

Precalentar la plancha para Panini a nivel HI (ALTO).

Úntele la mantequilla derretida a un lado de cada rebanada de pan. Coloque las 2 rebanadas de pan con el lado que tiene mantequilla hacia abajo en la tabla de cortar o la superficie de trabajo. Colóquele por encima el tomate, tocino, queso y la rúgola.

Rociar cada sándwich con 1 cda de vinagre. Cubrir con las rebanadas de pan que quedan con el lado que tiene mantequilla hacia arriba.

Cocinar en la plancha para Panini alrededor de 5 minutos hasta que el pan se dore y el queso se derrita.

Rinde 2 sandwiches.

ASADO CON JAMÓN Y PIÑA

$\frac{1}{4}$ taza de conserva de piña
 $\frac{1}{4}$ taza de melocotones de lata picados
1 cda. jengibre acaramelado picado pequeño
4 rebanadas de pan de masa fermentada
4 oz. jamón en lascas finas
4 oz. brie, en lascas

2 cdas. mantequilla derretida

Precaliente la plancha para Panini a nivel HI

En un recipiente pequeño, combine las conservas y déjelos aparte.

Úntele mantequilla por un lado a cada rebanada de pan con el lado que tiene la mantequilla sobre la superficie de trabajo. Colóquele por encima el jamón y queso. Coloque por encima la piña y los melocotones con el lado que tiene mantequilla hacia arriba.

Cook in preheated Panini grill about 5 minutes until the cheese is melted and the bread is softened.

Rinde 2 sandwiches.

¿NECESITA AYUDA?

Para servicio, reparaciones o preguntas relacionadas con el producto, llame al número "800" que aparece en la cubierta de este manual o en el establecimiento de compra. No envíe el producto a un centro de servicio. También puede consultar el sitio web de este manual.

Tres años de garantía limitada (Aplica solamente en Estados Unidos o Canadá)

¿Qué cubre la garantía?

- La garantía cubre cualquier defecto de material o mano de obra que se responsabiliza por ningún costo que el consumidor pague.

¿Por cuánto tiempo es válida la garantía?

- Por tres años a partir de la fecha original de compra o prueba de la compra.

¿Qué clase de asistencia recibe el consumidor?

- El consumidor recibe un producto de reemplazo o un producto parecido al original.

¿Cómo se obtiene el servicio necesario?

- Conserve el recibo original como comprobante de compra.
- Se puede visitar el sitio web de asistencia al consumidor en www.prodprotect.com/applica, o se puede llamar al número 1-800-231-9786, para obtener información.
- Si necesita piezas o accesorios, por favor llame al número de servicio al cliente.

¿Qué aspectos no cubre esta garantía?

- Los daños al producto ocasionados por el uso indebido.
- Los daños ocasionados por el mal uso, abuso o negligencia.
- Los productos que han sido alterados de alguna manera.
- Los productos utilizados o reparados fuera de un establecimiento autorizado.
- Las piezas de vidrio y demás accesorios electrónicos.
- Los gastos de tramitación y embarque de productos.
- Los daños y perjuicios indirectos o incidentales, de naturaleza punitiva o que algunos estados no permiten la exclusión de daños y perjuicios indirectos ni incidentales, de naturaleza punitiva (no se aplican a usted).

¿Qué relación tiene la ley estatal con esta garantía?

- Esta garantía le otorga derechos legales que varían de una región a otra.

Fabricado en la República Popular de China

Impreso en la República Popular de China



Cook what you love, only healthier



© 2010 Applica Consumer Products, Inc.

2010/11-17-42E/S