

Installation Instructions

BVA1 Fresh Air Kit

For installation on the following appliances:

- (A)BVD(34,36)FP Series
- (A)BVP42FP Series
- (A)VFD(32,36,42)FB Series
- (A)VFP(32,36,42)FB Series

The optional BVA1 Fresh Air Kit is designed to introduce outside air to the fireplace or firebox as desired.

It must be installed prior to, or at the time of fireplace or firebox installation to framing.

The Fresh Air kit must be installed prior to the installation of wall-board or other finishing materials around the unit.

Tools needed: Gloves, Metal snips, Vise-Grip, 1/4" Nut Driver, Standard Screwdriver, Needle Nose Pliers

Caution: Sharp edges

Air Door Installation for B-Vent Models: (A)BVD(34,36)FP and (A)BVP42FP

1. Begin by removing the rectangular cutout located on the left side of the fireplace. Use gloves and sheet metal snips to create the opening for the Air Door assembly to install into. See **Figure 1**.
2. Install the small tubular rod clip into the air door bottom flange as shown in **Figure 2**.



Figure 1

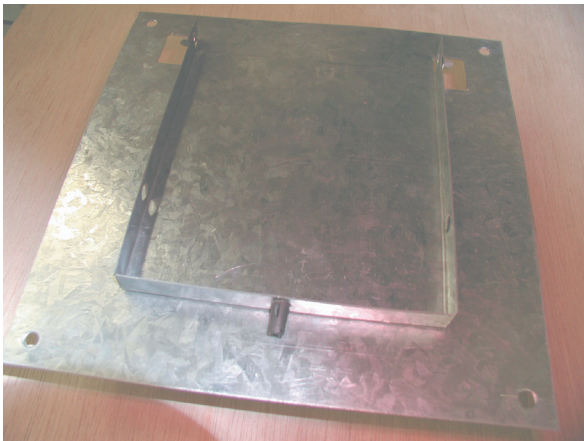


Figure 2

3. Next, place the "Z" shaped control lever (short end) into the small tubular retaining clip and using a pliers as shown in **Figure 3**, squeeze the rod so it passes through the end of the clip about an 1/8" to retain properly.



Figure 3

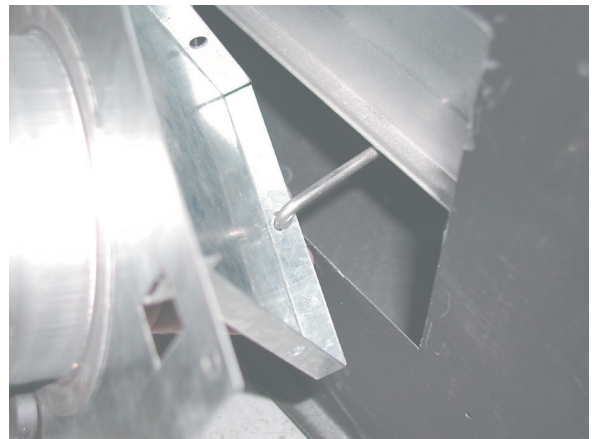


Figure 4

4. Working at the side cutout opening, begin installing the air door assembly by opening up the air door (**Figure 4**), then work the control rod lever under the inner firebox until the lever can be pushed up through the slot inside the firebox.



Figure 5

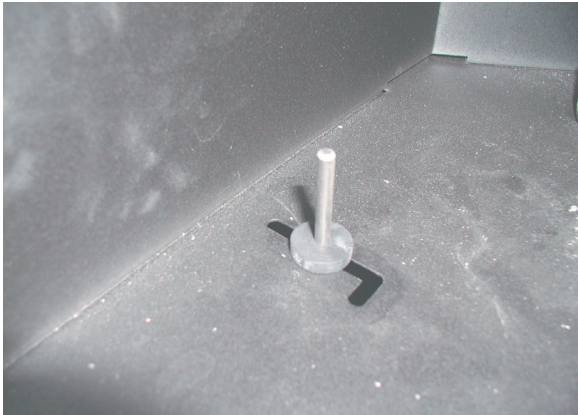


Figure 6

5. Before attaching the Air Door assembly to the outside wrap, grasp the control lever inside the firebox as shown in **Figure 5** and slip on the Silicone washer and slide it over the rod until it bottoms out. This will keep the lever upright after installation is complete. **See Figure 6.**
6. Secure the Air Door assembly to the outside of the fireplace with (4) screws provided. **See Figure 7.**
7. Check the operation of the air door by sliding the control lever left to right. A slot is provided to the right that can be used to hold the air door open. Be sure to slide the silicone retainer washer onto the lever so the lever remains upright. To close the Fresh Air assembly, move the control rod lever to the left and the air door will remain closed by magnetic action.



Figure 7



Figure 8

**Air Door Installation for Vent Free Firebox Models:
(A)VFD(32,36,42)FB and (A)VFP(32,36,42)FB**

1. Begin by removing the rectangular cutout located on the left side of the fireplace. Use gloves and sheet metal snips to create the opening for the Air Door assembly to install into. **See Figure 1.**
2. Move the left hand curtain screen to the center of the firebox opening.
3. Grasp the long control rod lever w/control bracket (items 7 and 8 in **Parts List**) securely with a vise grips as shown in **Figure 8.**
4. Next, with the vise grip attached, feed the long control rod through the small rectangular opening at the left side of the firebox face. Carefully position the rod and bracket so that the bracket can be secured to the inside opening of the firebox with two screws. **See Figure 9.** Do not remove vise grips at this time.



Figure 9



Figure 10

- Working from the side cutout opening, place the slightly opened air door assembly into the cutout opening as shown in **Figure 10**.
- While holding the door assembly in your left hand, grasp the vise grip (attached to the long control rod). Rotate and move the control rod around until the inside end of the rod is mated with the hole in the front flange of the movable air door. See **Figure 11**.



Figure 11

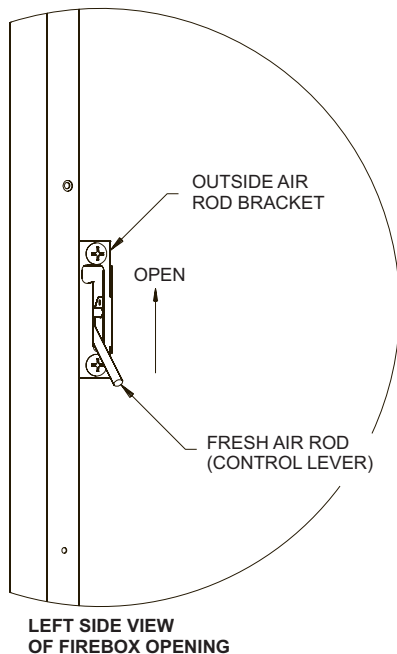


Figure 12

- Once the control rod is fed through the air door hole, gently lift the outer air door plate assembly inward and upward until the mounting holes in the plate line up with the pilot holes in the side wrap.
- Install (4) screws to retain the Air Door assembly. See **Figure 7**.
- Remove vise grip from control rod, then check the operation of the Air Door. The control lever should open the air door when rotated upward, and can be locked open by pulling forward into the notch at the top of the control lever bracket.
- To close, simply disengage by letting the lever rotate downward. The air door will remain closed by magnetic action. See **Figure 12**.

Completion of Air Kit installation

- Determine the length of 4" Dia. rigid or flex duct connector (installer supplied) you will need from the firebox/fireplace to the exterior surface of the outside wall, where the air kit hood will be installed. Add a few extra inches to the length to allow for easier attachment of the outside duct connection prior to securing the outside rain cap hood to the building.
- Secure the 4" dia. duct to the Air Door assembly collar on the firebox/fireplace with band clamps or screws.
- Run the other end of the duct through the exterior wall cut-out.
- From the outside of the building, connect the duct to the collar on the outside air vent assembly with band clamp or screws to secure.
- Mate the outside rain cap hood over the air vent, seal with caulk as necessary, then secure with screws provided to the exterior wall surface. See **Figure 13 and 14**.
- Figure 15 illustrates the various options for installation of the air duct run possibilities.

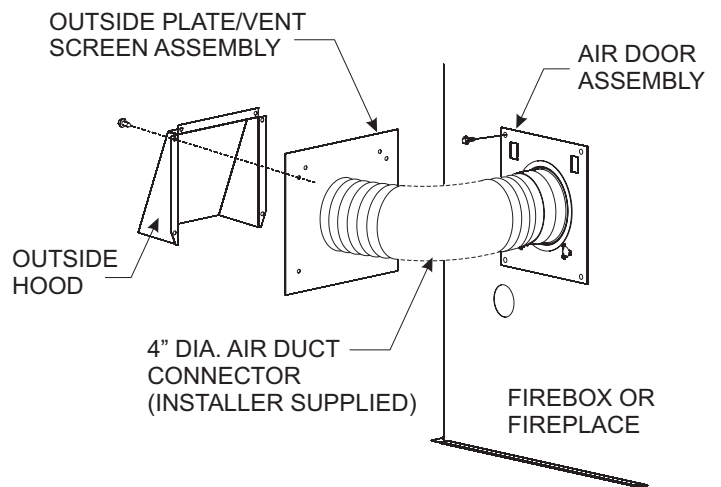
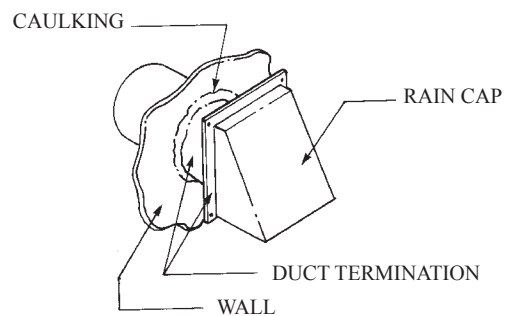


Figure 13



Caulk and Install Duct Termination

Figure 14

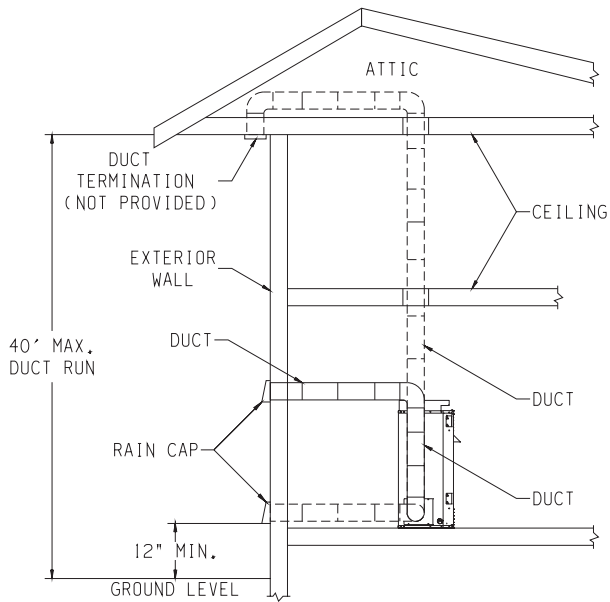
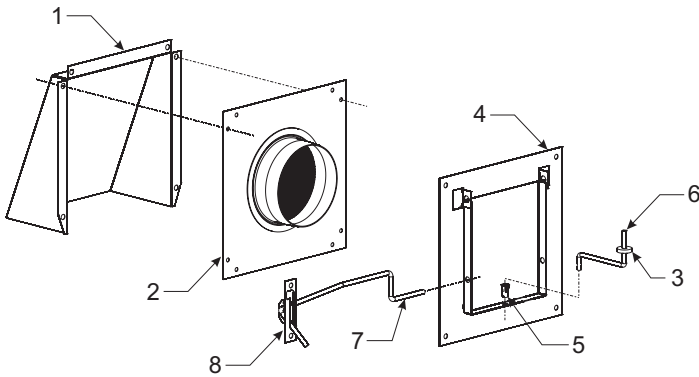


Figure 15



PARTS LIST

INDEX NO.	PART NO.	DESCRIPTION	QAUNTITY SUPPLIED
1	10124	OUTSIDE AIR HOOD	1
2	18476	OUTSIDE AIR TUBE ASSY	1
3	R8196	WASHER, SILICONE (BV)	1
4	19548	DAMPER ASSEMBLY	1
5	R8047	TUBULAR CLIP (BV)	1
6	R8189	ROD, FRESH AIR (BV)	1
7	R8703	ROD, AIR CONTRTOL (FB)	1
8	20473	BRACKET, OUTSIDE AIR ROD (FB)	1



Empire Comfort Systems, Inc.
 918 Freeburg Ave. Belleville, IL 62220
 PH: 618-233-7420 or 800-851-3153
 FAX: 618-233-7097 or 800-443-8648
 info@empirecomfort.com