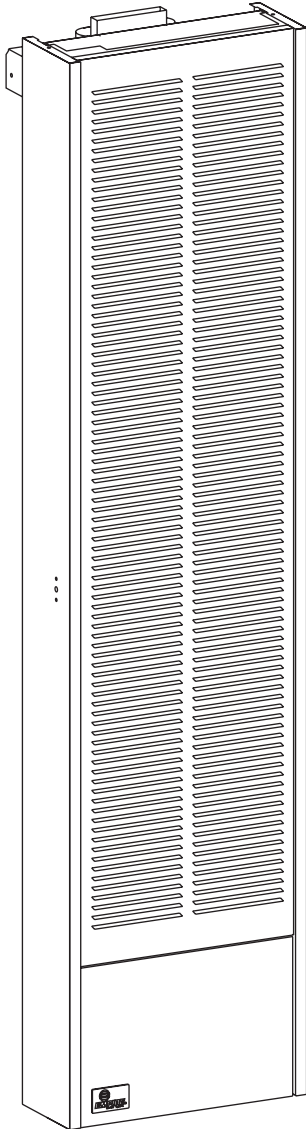




INSTALLATION INSTRUCTIONS AND OWNER'S MANUAL



GRAVITY VENTED SINGLE WALL FURNACE MODEL GWT-25W-2 GWT-35W-2



Installer: Leave this manual with the appliance.
Consumer: Retain this manual for future reference.

WARNING: If not installed, operated and maintained in accordance with the manufacturer's instructions, this product could expose you to substances in fuel or from fuel combustion which can cause death or serious illness.

WARNING: If the information in these instructions are not followed exactly, a fire or explosion may result causing property damage, personal injury or loss of life.

- Do not store or use gasoline or other flammable vapors and liquids in the vicinity of this or any other appliance.
- **WHAT TO DO IF YOU SMELL GAS**
 - Do not try to light any appliance.
 - Do not touch any electrical switch; do not use any phone in your building.
 - Immediately call your gas supplier from a neighbor's phone. Follow the gas supplier's instructions.
 - If you cannot reach your gas supplier, call the fire department.
- Installation and service must be performed by a qualified installer, service agency or the gas supplier.

TABLE OF CONTENTS

SECTION	PAGE
Important Safety Information.....	3
Safety Information for Users of LP Gas	4
Introduction	5
Specifications	5
Recommended Vent Configuration	6
Gas Supply.....	7
Clearances	8
Ventilation and Combustion Air	8
Location - All Models	8
Rough-In Instructions	8-9
Finishing Instructions	9-10
On/Off Device.....	11
Lighting Instructions	12
Vent Safety Shutoff System	13
Proper Main Burner Flame.....	13
Proper Pilot Flame	13
Troubleshooting.....	14
How To Order Repair Parts	15
Parts List	16
Parts View	17
Optional Blower Installation Instructions	18-20
Service Notes.....	21-22
Warranty.....	23

IMPORTANT SAFETY INFORMATION

THIS IS A HEATING APPLIANCE

DO NOT OPERATE THIS APPLIANCE WITHOUT OUTER CASING INSTALLED.

Due to high temperatures the appliance should be located out of traffic and away from furniture and draperies.

- Children and adults should be alerted to the hazards of high surface temperatures and should stay away to avoid burns or clothing ignition.
- Young children should be carefully supervised when they are in the same room as the appliance.
- Clothing or other flammable material should not be placed on or near the appliance.
- Any safety screen or guard removed for servicing an appliance must be replaced prior to operating the appliance.
- Keep burner and control compartment clean.
- Installation and repair should be done by a **QUALIFIED SERVICE PERSON**. The appliance should be inspected before use and at least annually by a qualified service person. More frequent cleaning may be required due to excessive lint from carpeting, bedding materials, etc. It is imperative that control compartments, burners and circulating air passageways of the appliance be kept clean.
- **DO NOT** put anything around the furnace that will obstruct the flow of combustion and ventilation air.
- **DO** keep the appliance area clear and free from combustible material, gasoline and other flammable vapors and liquids.
- **DO** examine venting system periodically and replace damaged parts.
- **DO** make a periodic visual check of pilot and burners. Clean and replace damaged parts.
- **DO NOT** use this heater if any part has been under water. Immediately call a qualified service technician to inspect the heater and to replace any part of the control system and any gas control which has been under water.
- This furnace must not be connected to a chimney flue serving a separate solid-fuel burning appliance.

SAFETY INFORMATION FOR USERS OF LP-GAS

Propane (LP-Gas) is a flammable gas which can cause fires and explosions. In its natural state, propane is odorless and colorless. You may not know all the following safety precautions which can protect both you and your family from an accident. Read them carefully now, then review them point by point

with the members of your household. Someday when there may not be a minute to lose, everyone's safety will depend on knowing exactly what to do. If, after reading the following information, you feel you still need more information, please contact your gas supplier.

LP-GAS WARNING ODOR

If a gas leak happens, you should be able to smell the gas because of the odorant put in the LP-Gas. That's your signal to go into immediate action!

- Do not operate electric switches, light matches, use your phone. Do not do anything that could ignite the gas.
- Get everyone out of the building, vehicle, trailer, or area. Do that IMMEDIATELY.
- Close all gas tank or cylinder supply valves.
- LP-Gas is heavier than air and may settle in low areas such as basements. When you have reason to suspect a gas leak, keep out of basements and other low areas. Stay out until firefighters declare them to be safe.
- Use your neighbor's phone and call a trained LP-Gas service person and the fire department. Even though you may not continue to smell gas, do not turn on the gas again. Do not re-enter the building, vehicle, trailer, or area.
- **Finally**, let the service man and firefighters check for escaped gas. Have them air out the area before you return. Properly trained LP-Gas service people should repair the leak, then check and relight the gas appliance for you.

NO ODOR DETECTED - ODOR FADE

Some people cannot smell well. Some people cannot smell the odor of the chemical put into the gas. You must find out if you can smell the odorant in propane. Smoking can decrease your ability to smell. Being around an odor for a time can affect your sensitivity or ability to detect that odor. Sometimes other odors in the area mask the gas odor. People may not smell the gas odor or their minds are on something else. Thinking about smelling a gas odor can make it easier to smell.

The odorant in LP-gas is colorless, and it can fade under some circumstances. For example, if there is an underground leak, the movement of the gas through soil can filter the odorant. Odorants in LP-Gas also are subject to oxidation. This fading can occur if there is rust inside the storage tank or in iron gas pipes.

The odorant in escaped gas can adsorb or absorb onto or into walls, masonry and other materials and fabrics in a room. That will take some of the odorant out of the gas, reducing its odor intensity.

LP-Gas may stratify in a closed area, and the odor intensity could vary at different levels. Since it is heavier than air, there may be more odor at lower levels. Always be sensitive to the slightest gas odor. If you detect any odor, treat it as a serious leak. Immediately go into action as instructed earlier.

SOME POINTS TO REMEMBER

- **Learn to recognize the odor of LP-gas.** Your local LP-Gas Dealer can give you a "Scratch and Sniff" pamphlet. Use it to find out what the propane odor smells like. If you suspect that your LP-Gas has a weak or abnormal odor, call your LP-Gas Dealer.
- If you are not qualified, do not light pilot lights, perform service, or make adjustments to appliances on the LP-Gas system. If you are qualified, consciously think about the odor of LP-Gas prior to and while lighting pilot lights or performing service or making adjustments.
- Sometimes a basement or a closed-up house has a musty smell that can cover up the LP-Gas odor. Do not try to light pilot lights, perform service, or make adjustments in an area where the conditions are such that you may not detect the odor if there has been a leak of LP-Gas.
- Odor fade, due to oxidation by rust or adsorption on walls of new cylinders and tanks, is possible. Therefore, people should be particularly alert and careful when new tanks or cylinders are placed in service. Odor fade can occur in new tanks, or reinstalled old tanks, if they are filled and allowed to set too long before refilling. Cylinders and tanks which have been out of service for a time may develop internal rust which will cause odor fade. If such conditions are suspected to exist, a periodic sniff test of the gas is advisable. **If you have any question about the gas odor, call your LP-gas dealer. A periodic sniff test of the LP-gas is a good safety measure under any condition.**
- If, at any time, you do not smell the LP-Gas odorant and you think you should, assume you have a leak. Then take the same immediate action recommended above for the occasion when you do detect the odorized LP-Gas.
- If you experience a complete "gas out," (the container is under no vapor pressure), turn the tank valve off immediately. If the container valve is left on, the container may draw in some air through openings such as pilot light orifices. If this occurs, some new internal rusting could occur. If the valve is left open, then treat the container as a new tank. Always be sure your container is under vapor pressure by turning it off at the container before it goes completely empty or having it refilled before it is completely empty.

INTRODUCTION

Introduction

Vented wall furnace is shipped ready to install in a 2" x 4" stud wall, with studs 16" (406mm) center to center. Always consult your local Building Department regarding regulations, codes or ordinances which apply to the installation of a vented wall furnace.

Instructions to Installer

1. Installer must leave instruction manual with owner after installation.
2. Installer must have owner fill out and mail warranty card supplied with furnace.
3. Installer should show owner how to start and operate furnace.

Warning:

Any change to this furnace or its control can be dangerous. This is a heating appliance and any panel, door or guard removed for servicing an appliance must be replaced prior to operating the appliance.

To conserve Gas: Turn off pilot when heater is not in use.

General Information

This series is design certified in accordance with American National Standard / CSA Standard Z21.86 and CSA 2.32 by the Canadian Standards Association, as a Vented Wall Furnace and must be installed according to these instructions.

Any alteration of the original design, installed other than as shown in these instructions or use with a type of gas not shown on the rating plate is the responsibility of the person and company making the change.

Important

All correspondence should refer to complete Model No., Serial No. and type of gas.

Notice: During initial firing of this furnace, its paint will bake out and smoke will occur. To prevent triggering of smoke alarms, ventilate the room in which the furnace is installed.

Installation in Residential Garages

Gas utilization equipment in residential garages shall be installed so that all burners and burner ignition devices are located not less than 18" (457mm) above the floor.

Such equipment shall be located, or protected, so it is not subject to physical damage by a moving vehicle.

Qualified Installing Agency

Installation and replacement of gas piping, gas utilization equipment or accessories and repair and servicing of equipment shall be performed only by a qualified agency. The term "qualified agency" means any individual, firm, corporation or company which either in person or through a representative is engaged in and is responsible for (a) the installation or replacement of gas piping or (b) the connection, installation, repair or servicing of equipment, who is experienced in such work, familiar with all precautions required and has complied with all the requirements of the authority having jurisdiction.

State of Massachusetts: The installation must be made by a licensed plumber or gas fitter in the Commonwealth of Massachusetts.

The installation must conform to local codes or, in the absence of local codes, with the *National Fuel Gas Code ANSI Z223.1/NFPA 54* Natural Gas and Propane Installation Code, CSA B149.1.*

**Available from the American National Standards Institute, Inc., 11 West 42nd St., New York, N.Y. 10036.*

High Altitudes

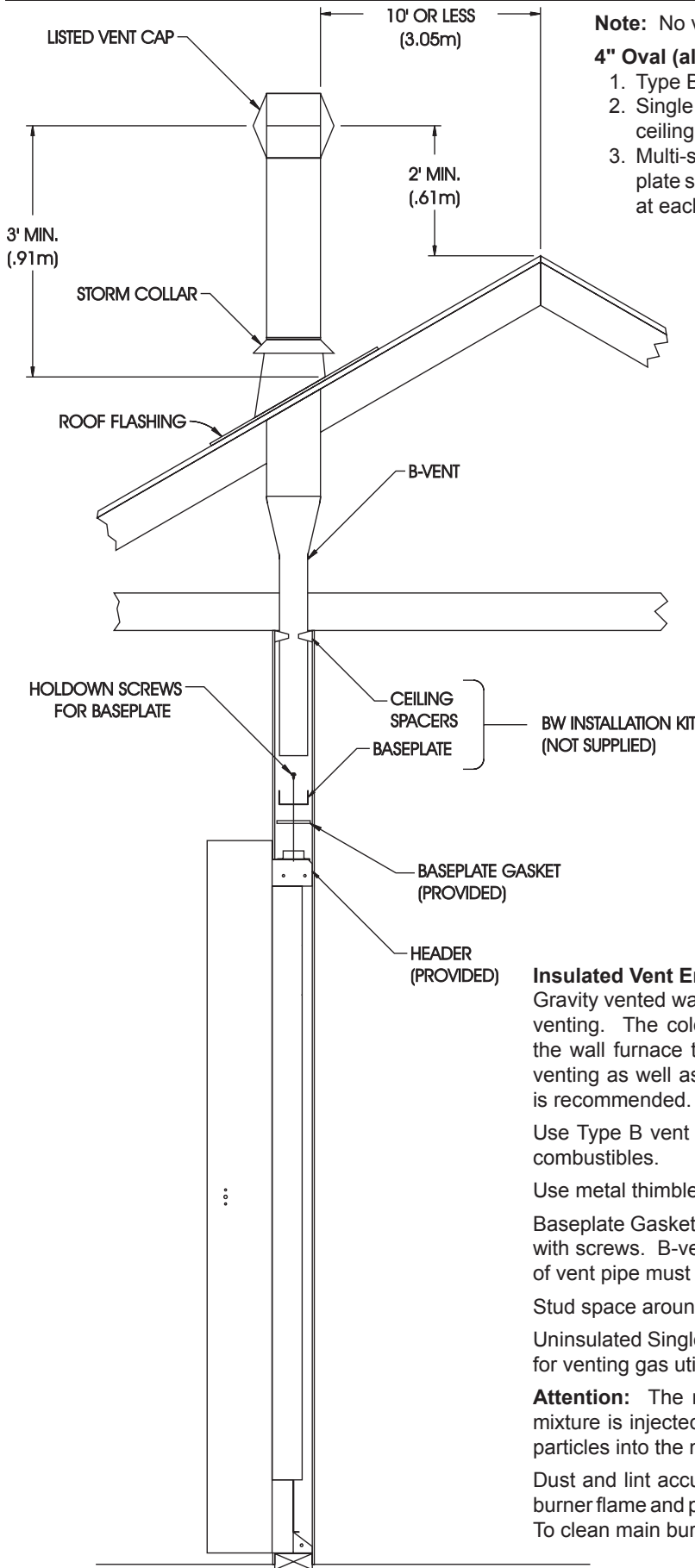
For altitudes/elevations above 2,000 feet (610m), input ratings should be reduced at the rate of 4 percent for each 1,000 (305m) feet above sea level. **Canadian High Altitudes** for locations having an elevation above mean sea level between 2,000 feet (610m) and 4,500 feet (1370m), the manifold pressure is to be decreased from 3.5" w.c. (.871kPa) to 3.0" w.c. (.747kPa) for Natural Gas and from 10.0" w.c. (2.49kPa) to 8.0" w.c. (1.992kPa) for Propane Gas.

SPECIFICATIONS

Model	GWT-25W	GWT-35W
Input BTU/HR (KW/H)	25,000 (7.3)	35,000 (10.3)
Height	66 1/8" (1679mm)	66 1/8" (1679mm)
Width	16" (406mm)	16" (406mm)
Depth	6" (152mm)	6" (152mm)
Gas Inlet Pipe	1/2"	1/2"
Vent Pipe Type B Oval	4" (102mm)	4" (102mm)
Accessories		
Blower Kit	GWTB2W	GWTB2W
Rear Register Kit	GWTR1W	GWTR1W
Out-of-the-Wall Kit	GWTW2W	GWTW2W

Attention: When the GWTW-2, Out-of-the-Wall kit is used the GWTR-1 Rear Register kit **cannot** be used.

RECOMMENDED VENT CONFIGURATION

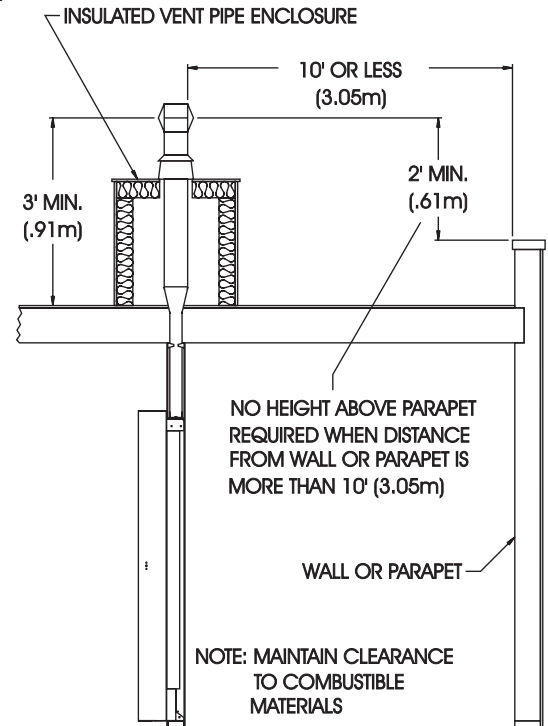


Note: No vent equipment supplied with furnace.

4" Oval (all parts purchase locally)

1. Type B-1 oval pipe
2. Single story type B-1 gas vents require a baseplate and one pair of ceiling plate spacers.
3. Multi-story type B-1 gas vents require a baseplate, one pair of ceiling plate spacers at the first floor ceiling and one pair of fire stop spacers at each successive ceiling level.

Type B-W gas vent pipe is available for single story or multi-story installations. Type B-W gas vent pipe is to be used with the Listed base plate, ceiling plate spacers and fire stop spacers.



Insulated Vent Enclosure

Gravity vented wall furnaces installed in buildings with flat roofs can have poor venting. The cold vent pipe will have a delay in proper venting and cause the wall furnace to shut "off" by the vent safety switch. To prevent delayed venting as well as condensation of flue products an insulated vent enclosure is recommended.

Use Type B vent pipe and maintain at least a one inch (25mm) clearance to combustibles.

Use metal thimble to protect vent pipe as it passes through combustibles.

Baseplate Gasket is factory installed on header. Baseplate attaches to header with screws. B-vent snaps into and is attached to baseplate. Minimum height of vent pipe must be six feet (1.8m) above header.

Stud space around gas vents must be free of obstructions and building paper.

Uninsulated Single-Wall Metal Pipe shall not be used outdoors in cold climates for venting gas utilization equipment.

Attention: The main burner uses room air for combustion. As the gas/air mixture is injected into the main burner, there is also the flow of dust and lint particles into the main burner.

Dust and lint accumulation inside the main burner will result in a yellow main burner flame and possible sooting inside the combustion chamber and vent pipe. To clean main burner refer to Page 13, "Proper Main Burner Flame."

GAS SUPPLY

Check all local codes for requirements, especially for the size and type of gas supply line required.

Recommended Gas Pipe Diameter

Pipe Length	Schedule 40 Pipe Inside Diameter		Tubing, Type L Outside Diameter	
	Nat.	L.P.	Nat.	L.P.
0-10 feet 0-3 meters	1/2"	3/8"	1/2"	3/8"
	12.7mm	9.5mm	12.7mm	9.5mm
10-40 feet 4-12 meters	1/2"	1/2"	5/8"	1/2"
	12.7mm	12.7mm	15.9mm	12.7mm
40-100 feet 13-30 meters	1/2"	1/2"	3/4"	1/2"
	12.7mm	12.7mm	19mm	12.7mm
100-150 feet 31-46 meters	3/4"	1/2"	7/8"	3/4"
	19mm	12.7mm	22.2mm	19mm

Note: Never use plastic pipe. Check to confirm whether your local codes allow copper tubing or galvanized.

Note: Since some municipalities have additional local codes, it is always best to consult your local authority and installation code.

Installing a New Main Gas Cock

Each appliance should have its own manual gas cock.

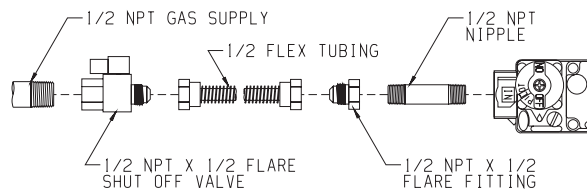
A manual main gas cock should be located in the vicinity of the unit. Where none exists, or where its size or location is not adequate, contact your local authorized installer for installation or relocation.

Compounds used on threaded joints of gas piping shall be resistant to the action of liquefied petroleum gases. The gas lines must be checked for leaks by the installer. This should be done with a soap solution watching for bubbles on all exposed connections, and if unexposed, a pressure test should be made.

Never use an exposed flame to check for leaks. Appliance must be disconnected from piping at inlet of control valve and pipe capped or plugged for pressure test. Never pressure test with appliance connected; control valve will sustain damage!

A gas valve and ground joint union should be installed in the gas line upstream of the gas control to aid in servicing. It is required by the National Fuel Gas Code that a drip line be installed near the gas inlet. This should consist of a vertical length of pipe tee connected into the gas line that is capped on the bottom in which condensation and foreign particles may collect.

FLEXIBLE GAS LINE CONNECTION



RIGID GAS LINE CONNECTION

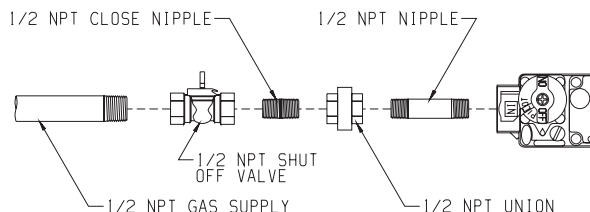


Figure 1

The use of the following gas connectors is recommended:

- ANS Z21.24 Appliance Connectors of Corrugated Metal Tubing and Fittings
- ANS Z21.45 Assembled Flexible Appliance Connectors of Other Than All-Metal Construction

The above connectors may be used if acceptable by the authority having jurisdiction. The state of Massachusetts requires that a flexible appliance connector cannot exceed three feet in length.

Pressure Testing of the Gas Supply System

1. To check the inlet pressure to the gas valve, a 1/8" (3.175mm) N.P.T. plugged tapping, accessible for test gauge connection, must be placed immediately upstream of the gas supply connection to the appliance.
2. The appliance and its individual shutoff valve must be disconnected from the gas supply piping system during any pressure testing of that system at test pressures in excess of 1/2 psig (3.5 kPa).
3. The appliance must be isolated from the gas supply piping system by closing its individual manual shutoff valve during any pressure testing of the gas supply piping system at test pressures equal to or less than 1/2 psig (3.5 kPa).

Attention! If one of the procedures results in pressures in excess of 1/2 psig (14" w.c.) (3.5 kPa) on the appliance gas valve, it will result in a hazardous condition.

Checking Manifold Pressure

Both Propane and Natural gas valves have a built-in pressure regulator in the gas valve. Natural gas models will have a manifold pressure of approximately 3.5" w.c. (.871kPa) at the valve outlet with the inlet pressure to the valve from a minimum of 4.5" w.c. (1.120kPa) for the purpose of input adjustment to a maximum of 10.5" w.c. (2.614kPa). Propane gas models will have a manifold pressure approximately 10.0" w.c. (2.49kPa) at the valve outlet with the inlet pressure to the valve from a minimum of 11.0" w.c. (2.739kPa) for the purpose of input adjustment to a maximum of 13.0" w.c. (3.237kPa).

A 1/8" (3.175mm) N.P.T. plugged tapping, accessible for test gauge connection, is located on the outlet side of the gas control.

CLEARANCES

1. In selecting a location for installation, it is necessary to provide adequate accessibility clearances for servicing and proper installation.
2. Clearances to combustible surfaces are 4" (102mm) from sides, 12" (305mm) to top, 1 1/2" (38mm) from floor.

NOTE: Minimum distance of 1 1/2" (38mm) must also be maintained from top surface of carpeting, tile, etc.

VENTILATION AND COMBUSTION AIR

Wall furnaces shall be installed in a location in which the facilities for ventilation permit satisfactory combustion of gas and proper venting under normal conditions. In buildings of conventional frame, brick, or stone construction without tight storm windows and doors, infiltration is normally adequate to provide air for combustion and draft hood dilution.

Where appliances are installed in confined and unconfined spaces within a building, the building being of unusually tight construction, air for combustion and ventilation must be obtained directly from outdoors or from such spaces that freely communicate with the outdoors. Under these conditions, the confined and unconfined spaces shall be provided with two permanent openings, one near the top of the enclosure and one near the bottom; each opening shall have a free area of not less than one square inch (6.45cm²) per 2,000 BTU (.6KW/H) per hour of total input.

LOCATION - ALL MODELS

Select a location near the center of the space to be heated. Overflow heat will circulate through doorways into adjacent rooms.

For large homes or spread-out floor plans, two or more furnaces are recommended. Do not locate furnace where a door could swing over the outer casing, or where circulation could be retarded by furniture or cabinets.

Do not install in a closet, alcove or small hallway where the furnace could be isolated by closing doors to the heated space.

When location is selected, check the walls, attic and roof to make sure there are no obstructions such as pipes, electric wiring, etc., which would interfere with the installation of the furnace or vent pipe.

NOTE: If Rear Register Kit is to be used, see Rear Register Kit instructions for location of hole in rear wall. Register outlet must be cut in wall before furnace is installed.

NOTE: If Optional Blower is to be used, hard wiring must be completed for the optional blower prior to installation of header plate.

ROUGH-IN INSTRUCTIONS

Provide an opening in the wall 14 1/2" (368mm) wide and 66 1/8" (168cm) high measured from top of floor plate (See Figure 2 and Figure 3). Wall depth is to be 2" x 4" framing with 1/4" (6.5mm) to 5/8" (16mm) sheeting. Attach baseplate (not supplied with furnace) to header plate with sheet metal screws at each end. Attach 4" (102mm) oval, double wall vent pipe to baseplate. Attach enough vent pipe so that when installed in wall opening the vent pipe will extend above the ceiling plate by at least 6" (152mm). Install ceiling spacers according to manufacturer's instructions. Insert header plate with attached 4"

oval, double wall vent pipe into wall opening. Position header plate at height shown in Figure 2. Locate rear edge of nailing flange at the back of the 2" x 4" stud which will center the vent collar in the wall. Locate the angled edge of header plate flush with the top of the wall opening. Nail header plate to the wall studs.

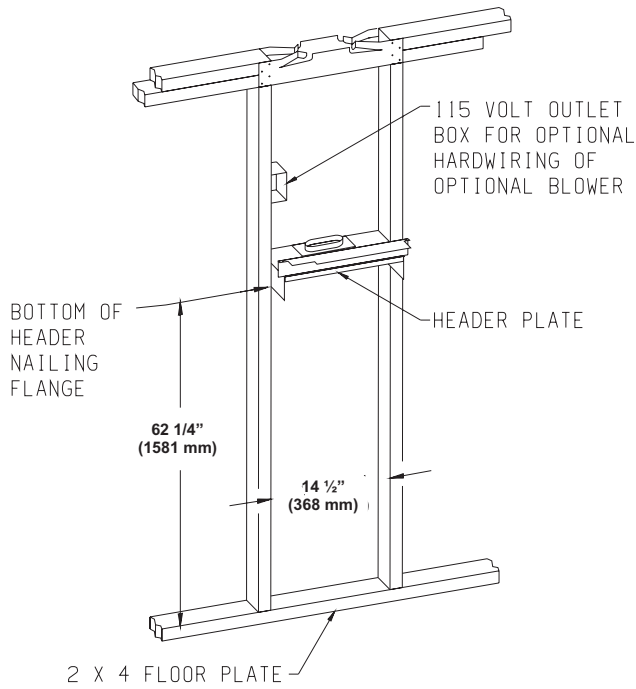


Figure 2

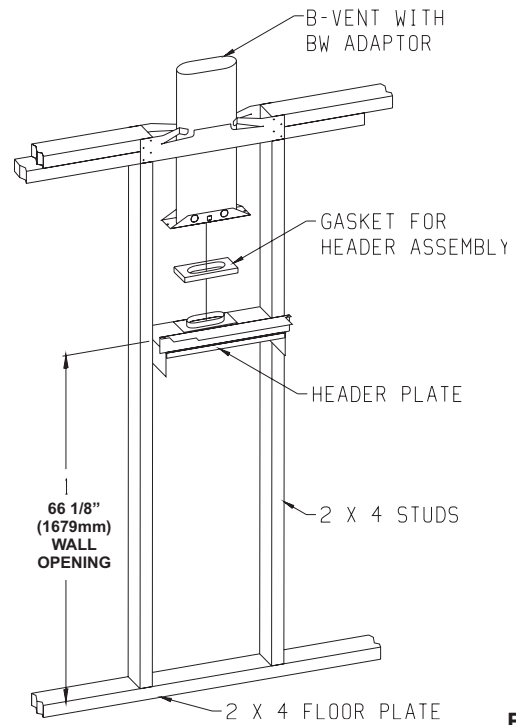


Figure 3

FINISHING INSTRUCTIONS

Plastering (Figure 4)

In new construction use only plain (not perforated) gypsum lath around furnace and vent pipe so that plaster "Keys" will not project into wall space.

Use wood strips nailed to inside of studs and top of bottom plate. These must be removed before installation of furnace. Lath and plaster against top projection of Header Plate.

Do not allow wall finish materials to project into furnace recess.

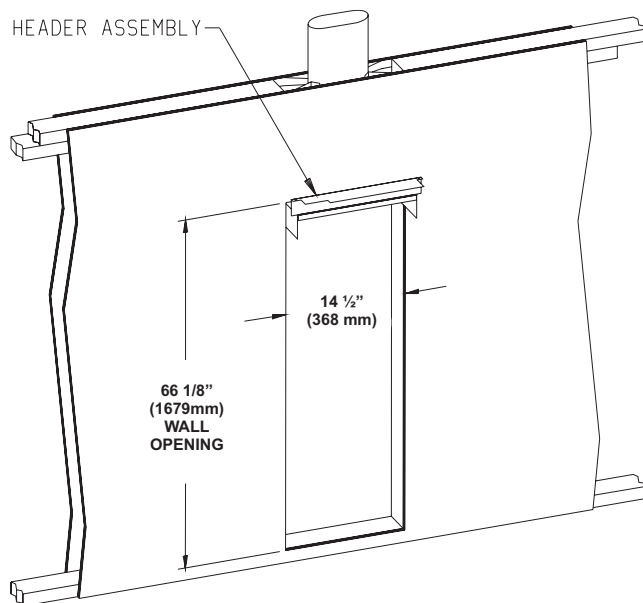


Figure 4

Installing Furnace (Figure 5)

Clear the recess of all debris, and remove any wood plaster-grounds. Stand the furnace on floor in front of wall opening.

Insert furnace flue into rectangular opening in header plate and raise furnace carefully (see Figure 5). Swing bottom of furnace into wall opening with back of legs flush with rear of floor plate. Secure furnace support legs to the floor plate.

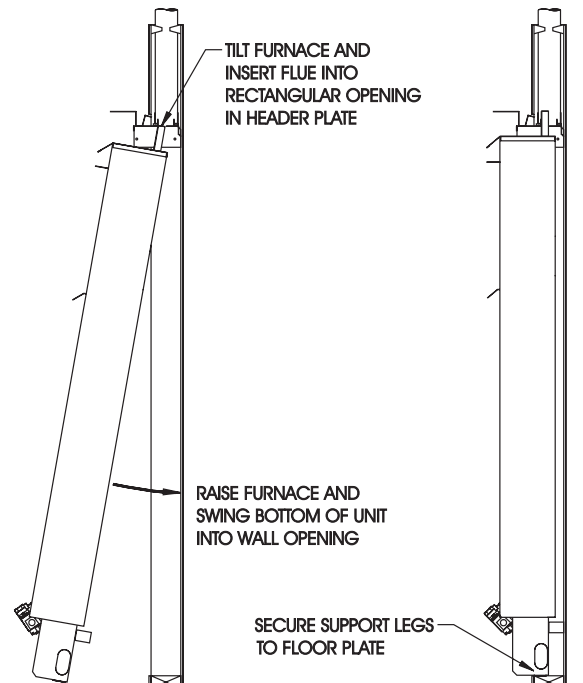


Figure 5

FINISHING INSTRUCTIONS (continued)

IMPORTANT — Avoid securing too tightly and disturbing the inner casing. Do not try to force furnace into a wall opening which is smaller than specified dimension.

OUTER CASING (Figure 6)

1. Align 1 3/4" slot on casing bracket with bottom screw hole on inner casing. Attach casing bracket to inner casing with one (1) 10 x 1/2" screws for each casing bracket. Do not completely tighten screws at this time.
2. Place outer casing onto header.

Attention: Use center clearance hole on outer casing top for attachment to header with one (1) 8 x 3/8" Phillips screw **when optional blower is not installed.**

Attention: Use outside clearance holes on outer casing top for attachment to header with two (2) 8 x 3/8" Phillips screws **when optional blower is installed.**
3. Align clearance holes on outer casing bottom with screw holes on casing brackets by adjusting slots on casing brackets.
4. Complete tightening casing bracket screws from Step 1 to inner casing at this time.
5. Attach outer casing to casing brackets with two (2) 10 x 1-1/2" screws.

INSTALLING CONTROL DOOR

Attach two washers supplied in hardware package to pivot pins located at bottom of control door. Install control door to outer casing assembly.

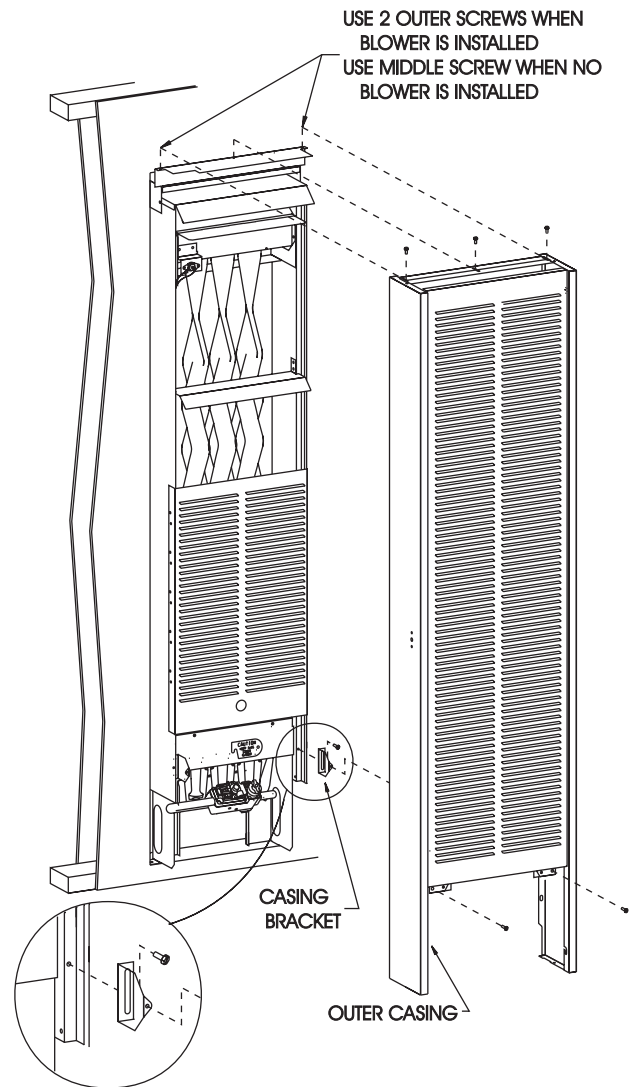


Figure 6

ON/OFF DEVICE

CAUTION — Do not run wire behind flanges of Header Plate or in any location where it might be damaged.

Millivolt wall on/off devices are specially designed for use on self-generating systems. They should **never** be used on **line** or **low** voltage A.C. circuits.

Installing the ON/OFF Device

To install an ON/OFF device (such as a wall switch, remote, toggle switch, or thermostat), remove the wire nut from the two wires from the valve. Run additional wire from the valve wires to the ON/OFF device. Install the ON/OFF device in the same room as the furnace following the installation instructions supplied with it. In the absence of instructions, install the ON/OFF device 4 to 5 feet above the floor on an interior wall not affected by another heating source (i.e. stove or water heater) or the temperature of an adjoining room..

Proper operation depends on a good pilot flame. The flame must cover the top of the thermopile. Cleaning of the pilot orifice and burner may be required due to spiders.

System Check (Figure7)

A millivolt meter is required to check the system. The millivolt readings should be:

- Across the thermopile terminals, 400-450 millivolts with the heater OFF.
- Across the thermopile terminals, 150-250 millivolts with the heater ON.
- Across the wires at the valve, less than 30 millivolts with the heater ON.

To conserve Gas: Turn off pilot when heater is not in use.

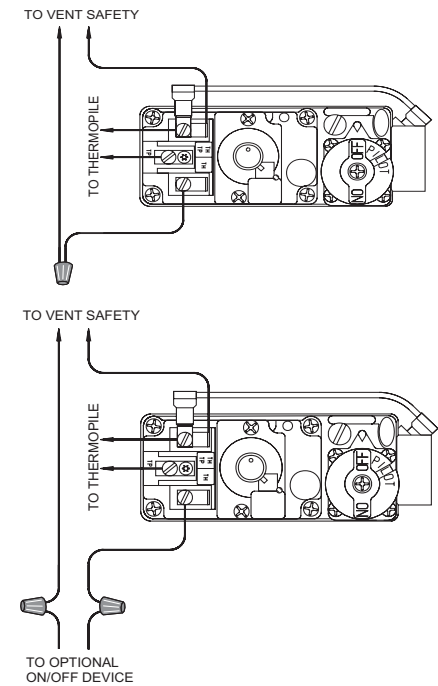


Figure 7

LIGHTING INSTRUCTIONS

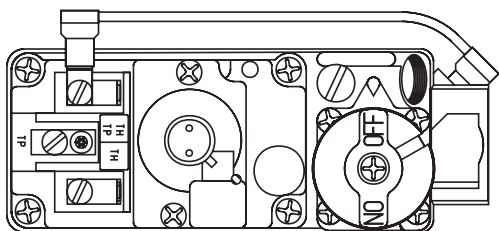
FOR YOUR SAFETY READ BEFORE LIGHTING

WARNING: If you do not follow these instructions exactly, a fire or explosion may result causing property damage personal injury or loss of life.

- A. This appliance has a pilot which must be lighted by hand. When lighting the pilot, follow these instructions exactly.
- B. **BEFORE LIGHTING** smell all around the appliance area for gas. Be sure to smell next to the floor because some gas is heavier than air and will settle on the floor.
- WHAT TO DO IF YOU SMELL GAS**
- Do not try to light any appliance.
 - Do not touch any electrical switch; do not use any phone in your building.
 - Immediately call your gas supplier from a neighbor's phone. Follow the gas supplier's instructions.
- If you cannot reach your gas supplier, call the fire department.
- C. Use only your hand to push in or turn the gas control knob. Never use tools. If the knob will not push in or turn by hand, don't try to repair it; call a qualified service technician. Force or attempted repair may result in a fire or explosion.
- D. Do not use this appliance if any part has been under water. Immediately call a qualified service technician to inspect the appliance and to replace any part of the control system and any gas control which has been under water.

LIGHTING INSTRUCTIONS

1. **STOP!** Read the safety information above.
2. Turn off all electric power to the appliance (if applicable).
3. Remove control access panel (control door).
4. Push in gas control knob slightly and turn clockwise to "OFF."

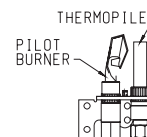


GAS CONTROL KNOB SHOWN IN "OFF" POSITION

NOTE: Knob cannot be turned from "PILOT" to "OFF" unless knob is pushed in slightly. Do not force.

5. Wait ten (10) minutes to clear out any gas. Then smell for gas, including near the floor. If you smell gas, **STOP!** Follow "B" in the safety information above. If you don't smell gas, go to the next step.
6. Find pilot - follow metal tube from gas control. The pilot is mounted on front of main burner.
7. Turn gas control knob counterclockwise to "PILOT."

8. Push in control knob all the way and hold in. Immediately light the pilot with a match. Continue to hold the control knob in for about one (1) minute after the pilot is lit. Release knob and it will pop back up. Pilot should remain lit. If it goes out, repeat steps 5 through 9.



- If knob does not pop up when released, stop and immediately call a qualified service technician or gas supplier.
 - If the pilot will not stay lit after several tries, turn the gas control knob to "OFF" and call your service technician or gas supplier.
9. Turn gas control knob counterclockwise to "ON."
 10. Replace control access panel (control door).
 11. Turn on all electric power to the appliance (if applicable).

TO TURN OFF GAS TO APPLIANCE

1. Turn off all electric power (if applicable) to appliance if service is to be performed.
2. Remove control access panel (control door).
3. Push in gas control knob slightly and turn clockwise to "OFF." Do not force.
4. Replace control access panel (control door).

VENT SAFETY SHUTOFF SYSTEM

This appliance must be properly connected to a venting system. This appliance is equipped with a vent safety shutoff system.

Warning: Operation of this wall furnace when not connected to a properly installed and maintained venting system or tampering with the vent safety shutoff system can result in carbon monoxide (CO) poisoning and possible death.

This furnace is equipped with a manual reset vent safety switch. The manual reset vent safety switch will cause gas flow to the main burner to "shut off" due to improper venting or a blocked flue.

To reset the manual reset vent safety switch:

1. Remove outer casing.
2. Depress manual reset button. The manual reset vent safety switch is located on the draft diverter.
3. Replace outer casing.

If the manual reset vent safety switch continues to "shut off" the gas flow to the main burner a qualified service person must be contacted to inspect for improper venting, blockage in the vent pipe or the manual reset vent safety switch for being defective.

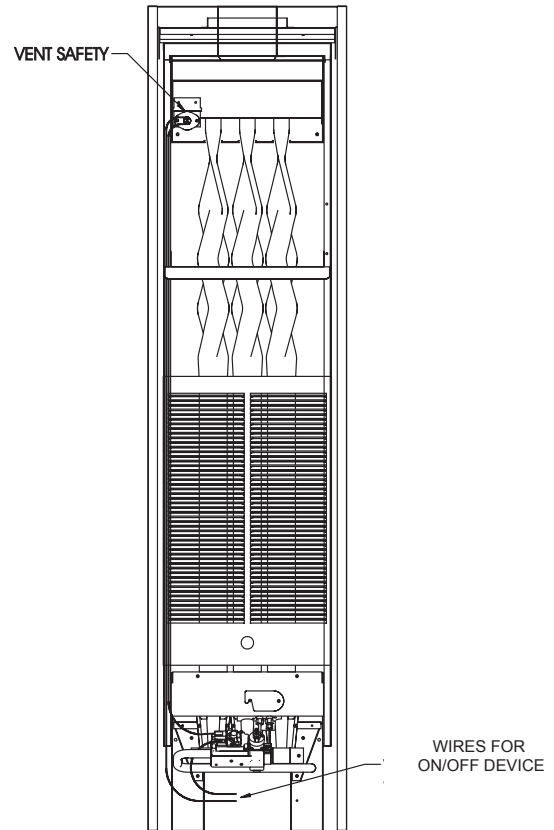


Figure 8

PROPER MAIN BURNER FLAME

The correct flame will be a short blue inner flame with a much larger light blue outer flame. The burner does not have a primary air adjustment. The flame will be proper if the factory-set pressure and orifice are used. After the furnace has begun operating, cleaning of the burner may be needed for proper flame, examine at least 2 times per season.

To clean burner ports, disconnect the gas supply to the valve. Remove the burner assembly from the combustion chamber. Remove pilot burner from main burner and then remove the main burner. Force water into the ports and blow dry with vacuum cleaner air, or low pressure compressed air.

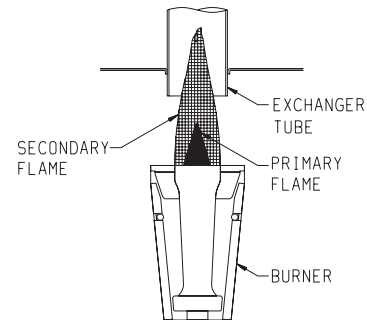


Figure 9

PROPER PILOT FLAME

The correct flame will be blue, extending past the thermopile. The flame will surround the thermopile just below its tip.

Natural gas pilots require adjusting when the inlet gas pressure is above 5" w.c. (1.245kPa). Remove the pilot cover screw on the control valve and turn the adjustment screw clockwise to reduce flame. Replace pilot cover screw to eliminate gas leaking at that control valve opening.

LP gas (propane) will not require adjustment.

After use, cleaning may be required for the proper flame.

Examine the pilot flame before and during each heating season.

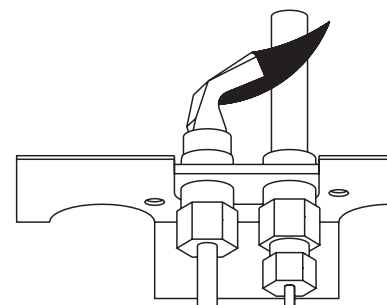


Figure 10

TROUBLESHOOTING

GENERAL All furnaces have been fire-tested to check for proper operation. This includes main burner flame, pilot flame, and gas control operation. If the furnace fails to function on initial installation, it is advisable to re-check the following:

1. Inlet gas pressure.
2. Type of gas being used and that shown on the rating plate.

Contact your Empire Dealer to assist in servicing furnace.

Servicing the Pilot and Main Burner, Pilot Orifice, Thermopile and Main Burner Orifice

Disconnect the gas supply at the inlet to the control valve. Remove the burner assembly to which the above components are attached.

Pilot Does Not Light

With air in the gas line, such as when the furnace is first installed or was "OFF" all summer, the pilot flame may be too lean to ignite on the first few trials. Turn the gas control knob to PILOT position and depress the gas control knob. Hold the gas control knob down to bleed the line;

1. Use lighter rod to light pilot with a match.

If Pilot Does Not Light By Any Means

1. Check gas control knob for being in the "Pilot" position.
2. Check pilot adjustment for being full open (counterclockwise to open).
3. If gas is available in the supply tubing, the pilot orifice and/or pilot burner is probably restricted by a spider web. Clean pilot assembly and relight.

If Pilot Does Not Remain "On" After Releasing Gas Control Knob

1. Follow instructions and hold gas control knob down longer and harder.
2. Determine if pilot flame extends past thermopile; if not, adjust pilot flame or clean pilot burner.
3. Replace thermopile if millivolt reading is less than 300 millivolts when wall mounted on/off device or remote bulb is turned OFF. Replace gas control if magnet dropout millivolt reading is over 100 millivolts.

Pilot Outage During Normal Operation

1. Check input by manifold pressure gauge or gas meter.
2. Check millivolt output when furnace is in operation. If millivolt output decreases during furnace operation gas control may be defective.

Main Gas Valve Does Not Open When The ON/OFF Device Is Turned "On"

1. Check millivolt output of thermopile.
2. On/off device wires may be broken.
3. On/off device may be defective.

MASTER PARTS DISTRIBUTOR LIST

To Order Parts Under Warranty, please contact your local Empire dealer. See the dealer locator at www.empirecomfort.com. To provide warranty service, your dealer will need your name and address, purchase date and serial number, and the nature of the problem with the fireplace.

To Order Parts After the Warranty Period, please contact your dealer or one of the Master Parts Distributors listed below. This list changes from time to time. For the current list, please click on the Master Parts button at www.empirecomfort.com.

Please note: Master Parts Distributors are independent businesses that stock the most commonly ordered Original Equipment repair parts for Heaters, Grills, and Fireplaces manufactured by Empire Comfort Systems Inc.

Dey Distributing

1401 Willow Lake Boulevard
Vadnais Heights, MN 55101

Phone: 651-490-9191

Toll Free: 800-397-1339

Website: www.deydistributing.com

Parts: Heater, Hearth and Grills

Victor Division of F. W. Webb Company

200 Locust Street
Hartford, CT 06114

Phone: 860-722-2433

Toll Free: 800-243-9360

Fax: 860-293-0479

Toll Free Fax: 800-274-2004

Websites: www.fwwebb.com & www.victormfg.com

Parts: Heater, Hearth and Grills

East Coast Energy Products

10 East Route 36
West Long Branch, NJ 07764

Phone: 732-870-8809

Toll Free: 800-755-8809

Fax: 732-870-8811

Website: www.eastcoastenergy.com

Parts: Heater, Hearth and Grills

HOW TO ORDER REPAIR PARTS

Parts Not Under Warranty

Parts can be ordered through your Service Person, Dealer, or a Master Parts Distributor. See this page for the Master Parts Distributors list. For best results, the **service person or dealer** should order parts through the distributor. Parts can be shipped directly to the **service person/dealer**.

Warranty Parts

Warranty parts will need a proof of purchase and can be ordered by your Service Person or Dealer. Proof of purchase is **required** for warranty parts.

All parts listed in the Parts List have a Part Number. When ordering parts, first obtain the Model Number and Serial Number from the name plate on your equipment. Then determine the Part Number (**not** the Index Number) and the Description of each part from the following illustration and part list. Be sure to give all this information . . .

Fireplace Model Number _____ Part Description _____

Fireplace Serial Number _____ Part Number _____

Type of Gas (Propane or Natural) _____

Do not order bolts, screws, washers or nuts. They are standard hardware items and can be purchased at any local hardware store.

Shipments contingent upon strikes, fires and all causes beyond our control.

PARTS LIST

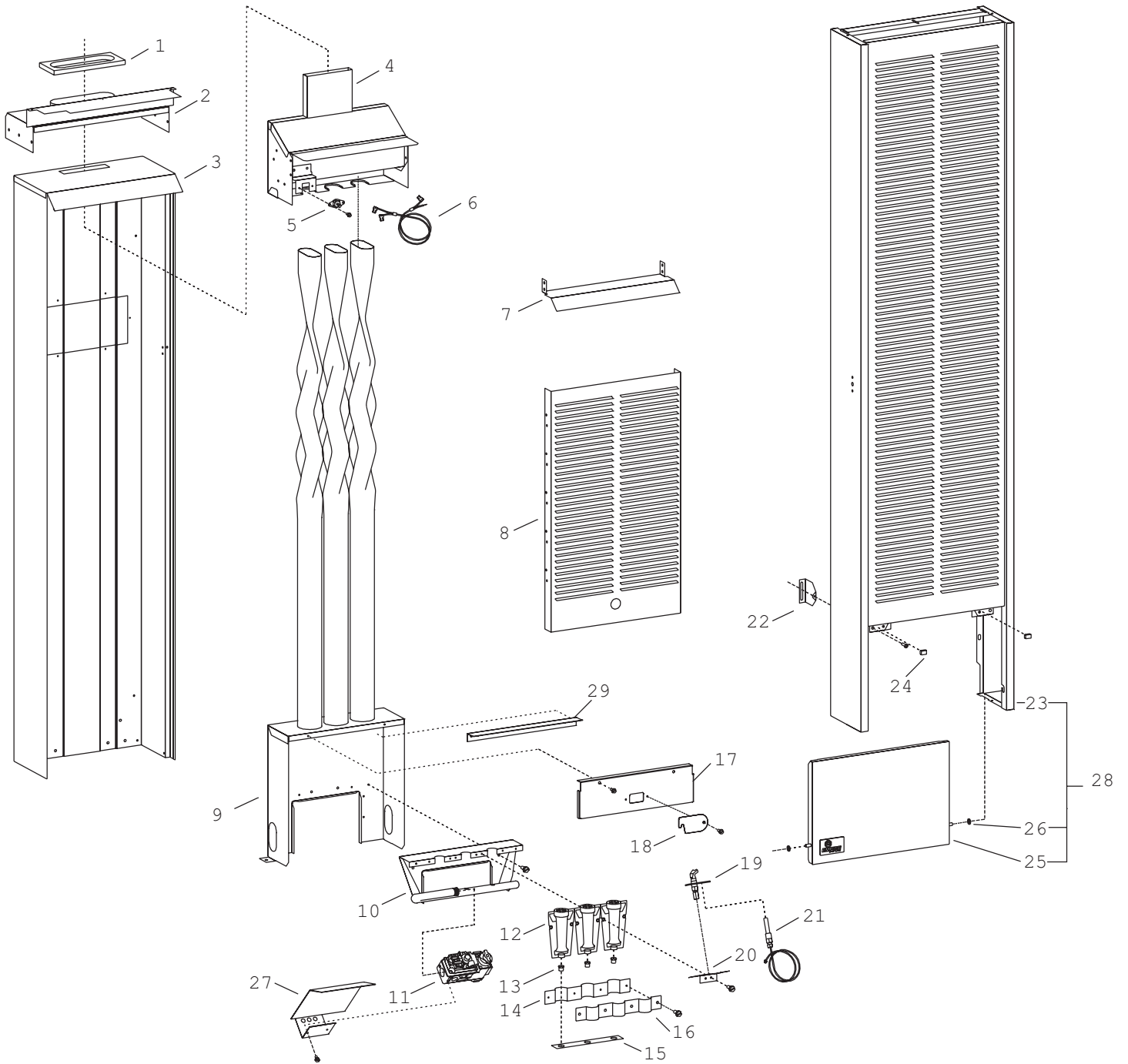
ATTENTION: When ordering parts, it is very important that **part number** and **description** of part coincide.

Index No.	Part No.	Description
1	WFA115	HEADER GASKET
2	36323	HEADER ASSEMBLY (INCLUDES NO. 1, GASKET)
3	GWT182	INNER CASING ASSEMBLY
4	GWT065	DIVERTER ASSEMBLY- GWT-25W-1
4	GWT066	DIVERTER ASSEMBLY - GWT-35W-1
5	R3239	VENT SAFETY SWITCH - GWT-25W-1
5	R3045	VENT SAFETY SWITCH - GWT-35W-1
6	R3038	ECO LEAD ASSEMBLY
7	GWT020	FRONT SHIELD
8	GWT077	HEAT SHIELD
9	26463	EXCHANGER ASSEMBLY - GWT-25W-1
9	26464	EXCHANGER ASSEMBLY- GWT-35W-1
10	GWT070	BURNER BRACKET ASSEMBLY - GWT-25W-1
10	GWT073	BURNER BRACKET ASSEMBLY - GWT-35W-1
11	R5245	GAS VALVE - NAT
11	R5246	GAS VALVE - LP
12	R3031	BURNER (GWT-25W-1 – 3 REQUIRED) (GWT-35W-1 – 4 REQUIRED)
13	P8855	BURNER ORIFICE - GWT-25W-1 NAT (3 REQUIRED)
13	P8865	BURNER ORIFICE - GWT-25W-1 LP (3 REQUIRED)
13	P8854	BURNER ORIFICE - GWT-35W-1 NAT (4 REQUIRED)
13	P8865	BURNER ORIFICE - GWT-35W-1 LP (4 REQUIRED)
14	GWT169	AIR SHUTTER REAR- GWT-25W-1 LPG
14	GWT012	AIR SHUTTER REAR - GWT-35W-1 LPG
15	GWT054	AIR SHUTTER BOTTOM - GWT-25W-1 LP

Index No.	Part No.	Description
15	GWT049	AIR SHUTTER BOTTOM - GWT-35W-1 LP
16	GWT168	AIR SHUTTER FRONT - GWT-25W-1 LP
16	GWT011	AIR SHUTTER FRONT - GWT-35W-1 LP
17	GWT010	BURNER COMPARTMENT FRONT - GWT-25W-1
17	GWT008	BURNER COMPARTMENT FRONT - GWT-35W-1
18	DV064	COVER PLATE
19	R3035	PILOT - LP
19	R3034	PILOT - NAT
20	GWT021	PILOT BRACKET
21	R1054	THERMOPILE
22	GWT186	CASING BRACKET
23	36328	CASING FRONT ASSEMBLY (INCLUDES #24)
24	R3763	MAGNET (2 REQUIRED)
25	36321	CASING DOOR ASSEMBLY
26	R885	NYLON WASHER (2 REQUIRED)
27	23906	VALVE SHIELD
28	36354	CASING ASSEMBLY COMPLETE (INCLUDES #23, #25, & #26)
29	29011	EXCHANGER TUBE SUPORT
N/S	GWT121	PILOT TUBING- GWT-25W-1
N/S	GWT076	PILOT TUBING- GWT-35W-1
N/S	R1089	PILOT ORIFICE (HONEYWELL .009 LP ONLY)
N/S	R1081	PILOT ORIFICE (HONEYWELL .014 NAT ONLY)
N/S	GWT190	HARDWARE PACKAGE

USE ONLY MANUFACTURER'S REPLACEMENT PARTS. USE OF ANY OTHER PARTS COULD CAUSE INJURY OR DEATH.

PARTS VIEW



OPTIONAL BLOWER INSTALLATION INSTRUCTIONS

8. Remove three prong cord set from blower housing.
9. Remove (4) 8 x 3/8" screws that attach blower front to blower housing.
10. Position blower housing on top of header assembly.
11. Route 120V field wiring into blower housing through cord set hole on back of blower housing.
12. Refer to wiring diagram to make wiring connections inside blower housing. Be sure to follow all local and National electrical codes when making field wiring connections.
13. Align key hole slots on back of blower housing with (2) screws attached to wall. Position blower housing flush with wall surface and on top of outer casing. Complete tightening blower housing screws from Step 7 to wall.
14. Attach caps and plugs from blower housing and blower front.
15. Attach blower front to blower housing with (4) 8 x 3/8" screws from Step 9.
16. Installation of optional blower assembly is completed.

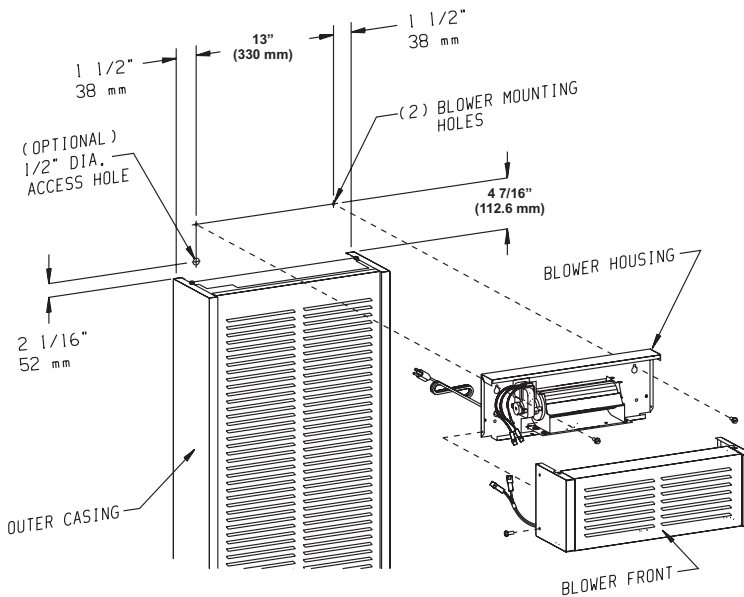


Figure 3

Fan Control

The automatic fan control is located on the bottom of the blower assembly. The fan control is a nonadjustable, automatic type. The fan control will require between 3 and 7 minutes of main burner operation before the fan control "closes" and activates the blower. The blower will continue to run between 3 and 7 minutes after the main burner shuts off, before the fan control "opens" and deactivates the blower.

Wiring

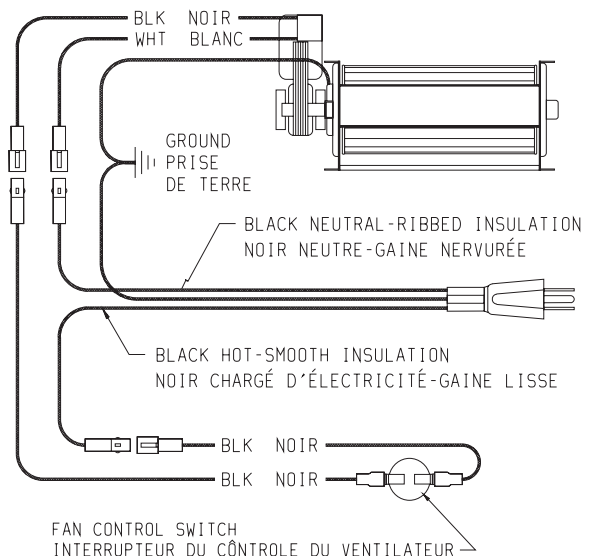
The appliance, when installed, must be electrically grounded in accordance with local codes or, in the absence of local codes, with the *National Electrical Code, ANSI/NFPA 70* or *Canadian Electrical Code, CSA C22.1*, if an external electrical source is utilized. **This appliance is equipped with a three-prong [grounding] plug for your protection against shock hazard and should be plugged directly into a properly grounded three-prong receptacle. Do not cut or remove the grounding prong from this plug.** For an ungrounded receptacle, an adapter, which has two prongs and a wire for grounding, can be purchased, plugged into the ungrounded receptacle and its wire connected to the receptacle mounting screws. With this wire completing the ground, the appliance cord plug can be plugged into the adapter and be electrically grounded.

CAUTION: Label all wires prior to disconnection when servicing controls. Wiring errors can cause improper and dangerous operation. Verify proper operation after servicing.

Oiling

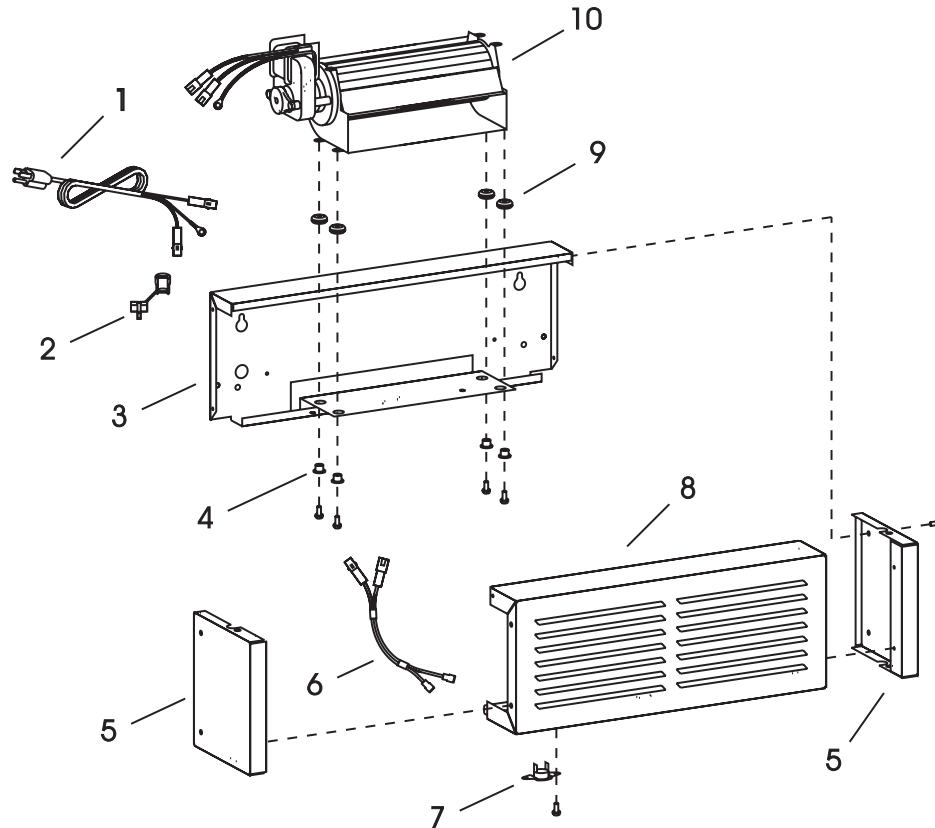
The blower motor does not have oiling holes. Do not attempt to oil the blower motor.

GWTB2W WIRING DIAGRAM



IF ANY OF THE ORIGINAL WIRE AS SUPPLIED WITH THIS UNIT MUST BE REPLACED. IT MUST BE REPLACED WITH 125°C WIRE OR ITS EQUIVALENT.
S'IL Y A UN FIL ORIGINAL FOURNI AVEC L'APPAREIL QUI DOIT ÊTRE REMPLACÉ, IL DOIT ÊTRE REMPLACÉ AVEC UN FIL DU GENRE 125°C OU L'ÉQUIVALENT.

OPTIONAL BLOWER INSTALLATION INSTRUCTIONS



PARTS LIST		
INDEX NUMBER	PART NUMBER	DESCRIPTION
1	R2204	CORD SET
2	R1468	STRAIN RELIEF BUSHING
3	36334	BLOWER HOUSING ASSEMBLY
4	R1454	BRASS BUSHING (4 REQUIRED)
5	36338	BLOWER SIDE (2 REQUIRED)
6	R3085	WIRE ASSEMBLY
7	R2503	FAN SWITCH
8	36337	BLOWER FRONT
9	R1499	RUBBER GROMMET (4 REQUIRED)
10	R2804	BLOWER MOTOR

OPTIONAL BLOWER INSTALLATION INSTRUCTIONS

GWTB2W-1 FOR MODELS GWT-25W, GWT-35W, GWT-50W

Installing Blower Using Three-Prong Plug

1. Install furnace according to Installation Instructions and Owner's Manual.
2. Refer to Drawing for measurements to locate (2) mounting holes on wall surface above furnace.

On Solid Wall

3. After locating mounting holes, attach (2) #10 x 1 1/2" screws provided in blower kit into wall. Do not completely tighten screwheads to wall, leave a 7/16" gap between screwheads and wall.

On Sheet Rock Wall

3. After locating mounting holes, drill (2) 5/16" diameter holes into wall. Insert the (2) plastic expansion anchors into holes. Insert (2) #10 x 1 1/2" screws provided in blower kit into (2) plastic expansion anchors. Do not completely tighten screwhead to plastic expansion anchors, leave a 7/16" gap between screwheads and plastic expansion anchors. Refer to Figure 2.
4. At the top of outer casing remove (1) screw from center clearance hole that attaches outer casing to header assembly. Also, remove (2) screws that attach bottom of outer casing to inner casing.
5. Pull the outer casing forward approximately 1 inch away from wall surface.
6. Remove (4) 8 x 3/8" screws that attach blower front to blower housing.

Caution: When removing blower front be careful not to damage motor coil wires. Damaged coil wires will disable blower function.

7. Position blower housing on top of header assembly and route three-prong cord set between left side of outer casing and inner casing.

Caution: Blower cord set routing is important. Cord set should be in proper location to avoid being overheated. Incorrect routing of cord set may result in damage to cord set.

8. Replace the outer casing to the wall surface.
9. Attach outer casing to header assembly. **Attention:** The center clearance hole will not be used. The two outside clearance holes will be used to attach outer casing to header assembly, (1) screw from Step 4 and (1) screw supplied in hardware package. Refer to Figure 1.

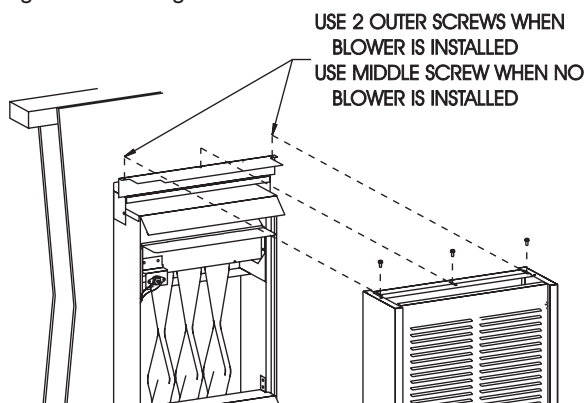


Figure 1

10. Attach outer casing to inner casing with (2) screws from Step 4.
11. Align key hole slots on back of blower housing with the (2) screws attached to wall. Position blower housing flush with wall surface and on top of outer casing. Complete tightening blower housing screws from Step 3 to wall.
12. Attach caps and plugs from blower housing and blower front.
13. Attach blower front to blower housing with (4) 8 x 3/8" screws from Step 6.
14. Installation of optional blower assembly is completed.

Caution: When installing blower housing onto wall be careful motor coil is not damaged.

Installing Blower With Hard Wiring

1. When facing the wall opening, install 120V electrical outlet junction box inside wall opening on left wall stud approximately 12 inches above header plate.
2. Refer to Drawing for measurements to locate access hole for electrical wiring on wall surface.
3. After locating access hole, drill a 1/2" hole into wall.
4. Route enough field wiring from 120V electrical outlet junction box through 1/2" access hole in wall for connection to blower housing.
5. Install furnace according to Installation Instructions and Owner's Manual.
6. Refer to Drawing for measurements to locate (2) mounting holes on wall surface above the furnace.

On Solid Wall

7. After locating mounting holes, attach (2) #10 x 1 1/2" screws provided in blower kit into wall. Do not completely tighten screwheads to wall, leave a 7/16" gap between screwheads and wall.

On Sheet Rock Wall

7. After locating mounting holes, drill (2) 5/16" diameter holes into wall. Insert (2) plastic expansion anchors into holes. Insert (2) #10 x 1 1/2" screws provided in blower kit into (2) plastic expansion anchors. Do not completely tighten screwhead to plastic expansion anchors, leave a 7/16" gap between screwheads and plastic expansion anchors. Refer to Figure 2.

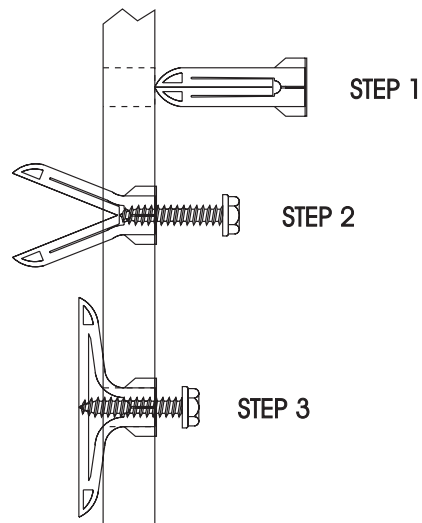


Figure 2

WARRANTY

Empire Comfort Systems Inc. warrants this space heating product to be free from defects at the time of purchase and for the periods specified below. Space heating products must be installed by a qualified technician and must be maintained and operated safely, in accordance with the instructions in the owner's manual. This warranty applies to the original purchaser only and is not transferable. All warranty repairs must be accomplished by a qualified gas appliance technician.

Limited Ten-Year Parts Warranty – Combustion Chamber

Empire promises to the owner that if the combustion chamber (see parts list) fails because of defective workmanship or material within ten years from the date of purchase, Empire will repair or replace at Empire's option.

Limited Three-Year Parts Warranty – All Other Components

(Except Remote Controls, Accessories and Replacement Parts)

Should any part fail because of defective workmanship or material within three years from the date of purchase, Empire will repair or replace at Empire's option.

Limited One-Year Parts Warranty – Remote Controls, Accessories, and Parts

Should any remote control, accessory, or other part fail because of defective workmanship within one year from the date of purchase, Empire will repair or replace at Empire's option.

Duties of the Owner

The appliance must be installed by a qualified installer and operated in accordance with the instructions furnished with the appliance. A bill of sale, cancelled check, or payment record should be kept to verify purchase date and establish warranty period. Ready access to the appliance for service.

What Is Not Covered

Damages that might result from the use, misuse, or improper installation of this appliance.

Travel, diagnostic costs and freight charges on warranted parts to and from the factory.

Claims that do not involve defective workmanship or materials.

Unauthorized service or parts replacements.

Removal and reinstallation cost.

Inoperable due to improper or lack of maintenance.

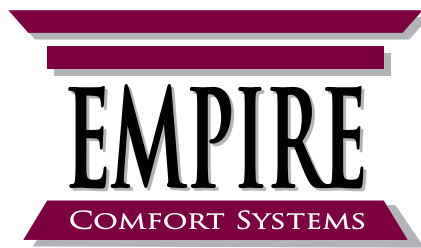
How To Get Service

To make a claim under this warranty, please have your receipt available and contact your installing dealer. Provide the dealer with the model number, serial number, type of gas, and purchase verification. The installing dealer is responsible for providing service and will contact the factory to initiate any warranted parts replacements. Empire will make replacement parts available at the factory. Shipping expenses are not covered.

If, after contacting your Empire dealer, service received has not been satisfactory, contact: Consumer Relations Department, Empire Comfort Systems Inc., PO Box 529, Belleville, Illinois 62222, or send an e-mail to info@empirecomfort.com with "Consumer Relations" in the subject line.

Your Rights Under State Law

This warranty gives you specific legal rights, and you may also have other rights, which vary from state to state.



SINCE 1932

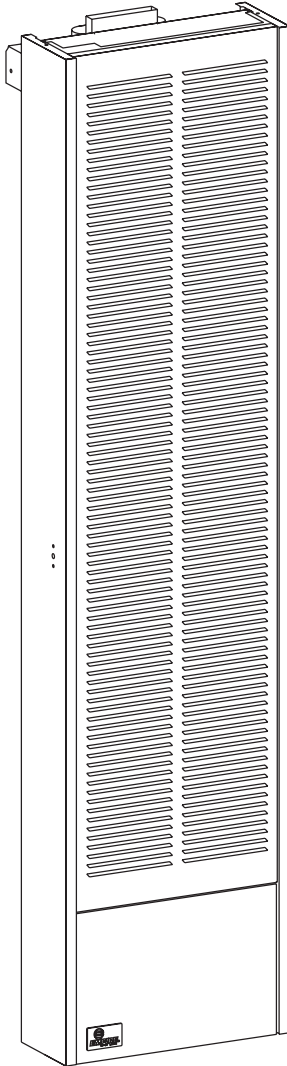
Empire Comfort Systems Inc.
Belleville, IL

If you have a general question about our products, please e-mail us at info@empirecomfort.com.

If you have a service or repair question, please contact your dealer.

www.empirecomfort.com

INSTRUCTIONS POUR L'INSTALLATION ET MANUEL DU PROPRIÉTAIRE



Installateur: Laissez cette notice avec l'appareil.
Consommateur: Conservez cette notice pour consultation ultérieure.

AVERTISSEMENT: Si l'installation, l'usage et l'entretien de ce produit ne sont pas faits selon les instructions du fabricant, ce produit peut vous exposer à des matières contenues dans le carburant ou provenant de la combustion du carburant lesquelles peuvent causer la mort ou de sérieuses maladies.

FOURNAISE MURALE À AIR CHAUD PAR GRAVITÉ

MODÈLES

GWT-25W-2

GWT-35W-2



AVERTISSEMENT: Assurez vous de bien suivre les instructions données dans cette notice pour réduire au minimum le risque d'incendie ou d'explosion ou pour éviter tout dommage matériel, toute blessure ou la mort.

- Ne pas entreposer ni utiliser d'essence ni d'autres vapeurs ou liquides inflammables dans le voisinage de cet appareil ou de tout autre appareil.
- **QUE FAIRE SI VOUS SENTEZ UNE ODEUR DE GAZ:**
 - Ne pas tenter d'allumer d'appareil.
 - Ne touchez à aucun interrupteur. Ne pas vous servir des téléphones se trouvant dans le bâtiment où vous vous trouvez.
 - Appelez immédiatement votre fournisseur de gaz depuis un voisin. Suivez les instructions du fournisseur.
 - Si vous ne pouvez rejoindre le fournisseur de gaz, appelez le service des incendies.
- L'installation et l'entretien doivent être assurés par un installateur ou un service d'entretien qualifié ou par le fournisseur de gaz.

TABLE DES MATIÈRES

SECTION	PAGE
Information Importante de Sécurité	3
Information de Sécurité pour les Utilisateurs de Propane.....	4
Introduction	5
Spécifications.....	5
Configuration Recommandée pour L'Évacuation	6
Alimentation en Gaz.....	7
Espaces Libres.....	8
Air de Ventilation et de Combustion	8
Emplacement - Pour Tous les Modèles	8
Instructions Sommaires	8-9
Instructions pour la Finition	9-10
Installation d'un Dispositif de Marche/Arrêt	11
Instructions d'Allumage.....	12
Le Système de Fermeture de Sûreté de l'Évent	13
Aspect Convenable de la Flamme du Brûleur Principal	13
Aspect Convenable de la Flamme de la Veilleuse.....	13
Détection des Défectuosités	14
Listes des Pièces.....	15
Façon de Commander les Pièces de Réparation.....	15
Vue des Pièces	16
Instructions pour l'Installation de la Soufflerie Facultative	17-18
Notes de Service.....	19

INFORMATION IMPORTANTE DE SÉCURITÉ

CECI EST UN APPAREIL DE CHAUFFAGE

NE PAS FAIRE FONCTIONNER CET APPAREIL SANS QUE LA PAROI EXTÉRIEURE SOIT INSTALLÉE.

- A cause des hautes températures, cet appareil doit être situé dans un endroit non achalandé et loin des meubles et des rideaux.
- Les enfants et les adultes doivent être avisés des dangers des parois très chaudes et doivent rester loin pour éviter les brûlures ou l'allumage des vêtements.
- Les petits enfants doivent être surveillés étroitement lorsqu'ils sont dans le même appartement que l'appareil.
- Les vêtements ou d'autres matériaux inflammables ne doivent pas être placés sur ou près de l'appareil.
- Tout écran de sûreté qui est enlevé lors de la réparation d'un appareil, doit être remplacé avant de remettre en marche cet appareil.
- Garder propre le brûleur et le compartiment de contrôle.
- L'installation et la réparation doivent être faites par une PERSONNE QUALIFIÉE. L'appareil doit être inspecté avant l'usage et au moins une fois par année, par une personne qualifiée. S'il y a un excès de poussière venant du tapis, de la literie, etc..., de fréquents nettoyages seront requis. Il est impératif que les compartiments de commandes, les brûleurs et les passages de circulation d'air de l'appareil soient gardés propres.
- Ne rien mettre autour de la fournaise qui pourrait obstruer le débit de combustion et la ventilation d'air.
- Les matériaux combustibles, la gazoline ou les vapeurs et liquides inflammables ne doivent jamais être dans le même endroit que le radiateur.
- Examiner périodiquement le système de ventilation et remplacer les pièces défectueuses.
- Faire périodiquement une inspection visuelle de la veilleuse et des brûleurs. Nettoyer et remplacer les pièces défectueuses.
- Ne pas utiliser cette fournaise s'il y a une pièce qui a été en contact avec l'eau. Appeler immédiatement un technicien qualifié pour inspecter la fournaise et remplacer toute pièce du système de commande et les commandes de gaz qui ont été en contact avec l'eau.
- Cette fournaise ne doit pas être branchée à une cheminée servant à un autre appareil brûlant un combustible solide.

INFORMATION DE SÉCURITÉ POUR LES UTILISATEURS DE PROPANE

Le propane est un gaz inflammable qui peut causer des feux et des explosions. Dans son état naturel, le propane est inodore et sans couleur. Peut-être que vous ne connaissez pas toutes les précautions décrites ci-dessous? Elles peuvent vous protéger ainsi que votre famille contre un accident. Lisez-les attentivement dès maintenant,

puis réexaminez les, point par point avec les membres de votre famille. Un jour, lorsqu'il n'y aura pas une minute à perdre, la sécurité de chacun dépendra de votre savoir-faire. Si après avoir lu les informations suivantes, vous pensez avoir besoin de plus amples informations, s'il vous plaît contactez votre fournisseur de gaz.

AVERTISSEMENT À PROPOS DE L'ODEUR DU PROPANE

Si une fuite de gaz survient, vous devriez sentir le gaz parce qu'il y a une odeur incorporée au propane.

C'est le signal que vous devez agir immédiatement.

- N'utiliser pas les interrupteurs électriques, n'allumer pas des allumettes ou n'utiliser pas le téléphone. Ne rien faire qui pourrait enflammer le gaz.
- Évacuer tout le monde du bâtiment, des véhicules et des lieux. Faire ceci immédiatement.
- Fermer toutes les soupapes d'approvisionnement des réservoirs et des bouteilles de gaz.
- Le propane est plus pesant que l'air et peut s'accumuler dans des endroits bas comme les soubassements. Lorsque vous avez des raisons de suspecter une fuite de gaz, n'allez pas dans les soubassements ou les endroits bas. Attendez que les pompiers vous assurent de la sûreté de ces endroits avant d'y aller.
- Utiliser le téléphone de votre voisin et appeler les pompiers et une personne entraînée avec le propane.
- Ne pas ouvrir les soupapes d'approvisionnement de gaz même si vous ne le sentez plus. Ne retourner pas dans le bâtiment, sur les véhicules ou sur les lieux.
- Finalement, laisser la personne qualifiée et les pompiers vérifier les fuites de gaz. Laisser-les aérer les lieux avant d'y retourner. Les personnes entraînées avec le propane devront réparer la fuite, vérifier et rallumer l'appareil au gaz, pour vous.

AUCUNE ODEUR DÉCELÉE - FAIBLE ODEUR

Il y a des personnes qui ne peuvent pas sentir très bien. Il y a des personnes qui ne peuvent pas sentir l'odeur chimique mis dans le gaz. Vous devez vérifier si vous pouvez sentir cette odeur. Fumer peut décroître votre capacité de sentir. Sentir une odeur pour un certain temps, peut affecter votre sensibilité ou votre capacité de déceler cette odeur. Quelquefois d'autres odeurs, dans le même endroit, peuvent masquer l'odeur du gaz. Il y a des personnes qui ne peuvent pas sentir l'odeur du gaz ou que leur attention est sur quelque chose d'autre. Penser à sentir l'odeur du gaz peut faciliter la capacité de sentir.

L'odeur dans le propane est sans couleur et peut s'affaiblir selon certaines circonstances. Par exemple, s'il y a une fuite souterraine, le mouvement du gaz à travers le sol peut filtrer l'odeur. Aussi, l'odeur dans le propane peut être exposée à l'oxydation. Cet affaiblissement

peut survenir s'il y a de la rouille à l'intérieur des réservoirs ou dans les tuyaux de fer pour le gaz.

L'odeur de la fuite de gaz peut être adsorbée ou absorbée sur ou dans les murs, maçonnerie et d'autres matériaux et tissus dans une chambre. Ceci enlèvera une quantité de l'odeur du gaz, affaiblissant l'intensité de la senteur.

Le propane peut stratifier dans un endroit fermé et l'intensité de l'odeur peut varier à différents niveaux. Puisque le propane est plus pesant que l'air, l'odeur peut être plus prononcée à un bas niveau. Toujours être sensible à la moindre odeur de gaz. Si vous décelez une odeur, réagissez comme si vous aviez une sérieuse fuite. Passez à l'action immédiatement en suivant les informations précédentes.

QUELQUES POINTS À RETENIR

- **Apprendre à reconnaître l'odeur du propane.** Votre distributeur de propane peut vous donner un échantillon que vous grattez et sentez. Utilisez-le pour savoir reconnaître l'odeur du propane. Si vous pensez que votre gaz propane a une faible ou anormale odeur, appelez votre distributeur.
- Si vous n'êtes pas qualifié, n'allumer pas la veilleuse, n'effectuer pas l'entretien ou n'ajuster pas les appareils fonctionnant au propane. Si vous êtes qualifié, soyez conscient de l'odeur du propane avant et pendant que vous allumez la veilleuse, effectuez l'entretien ou faites les ajustements.
- Quelquefois un soubassement ou une maison fermée a une senteur de moisi qui peut dissimuler l'odeur de propane. N'essayez pas d'allumer des veilleuses, d'effectuer l'entretien ou de faire des ajustements dans des endroits où les conditions sont de telle sorte que vous ne pouvez pas déceler l'odeur du propane en cas de fuite.
- L'affaiblissement d'odeur, attribuable à l'oxydation par la rouille ou l'adsorption sur les parois des nouveaux réservoirs et bouteilles, est possible. Par conséquent, les personnes doivent être particulièrement prudentes lorsque de nouveaux réservoirs ou bouteilles sont mis en service. L'affaiblissement d'odeur peut se produire dans les nouveaux réservoirs ou dans les vieux réservoirs qui sont réinstallés, s'ils sont remplis et inutilisés pour une longue période de temps. La formation de rouille à l'intérieur des bouteilles et des réservoirs qui ne sont pas utilisés pour une longue période de temps, peut provoquer un affaiblissement de l'odeur. Si vous pensez que de telles conditions existent, un test de senteur de gaz est recommandé périodiquement. **Si vous avez des questions à propos de l'odeur du gaz, appelez votre distributeur de propane. En toute circonstance, un test de senteur périodique du gaz propane est une mesure de prudence.**
- Si en aucun temps vous ne sentez pas l'odeur du propane et que vous devriez, assumez que vous avez une fuite. Agissez immédiatement selon les recommandations ci-dessus, décrivant les actions à suivre en cas de déclenchement de gaz propane.
- Si vous découvrez que le réservoir est complètement vide de gaz (le réservoir n'a aucune pression de vapeur), fermez la soupape du réservoir immédiatement. Si la soupape du réservoir reste ouverte, le réservoir peut aspirer de l'air par les ouvertures, par exemple les orifices de la veilleuse. Si ceci survient, l'intérieur peut subir une additionnelle formation de rouille. Si la soupape est restée ouverte, considérez le contenant comme étant un nouveau réservoir. Soyez toujours certain que le réservoir est sous pression de vapeur; fermez la soupape du réservoir avant qu'il ne soit complètement vide et faites le remplir.

INTRODUCTION

Lorsque la fournaise murale à air chaud est expédiée, elle est prête à être installée entre les montants du mur 2" x 4" (51mm x 102mm) et ceux-ci doivent avoir 16" (406mm) d'un centre à l'autre centre. Toujours consulter le département de construction de votre région en ce qui regarde les règlements, les codes ou les ordonnances qui s'appliquent à l'installation d'une fournaise murale à air chaud.

Instructions pour l'Installateur

1. Après l'installation, l'installateur doit laisser le manuel d'instructions au propriétaire.
2. L'installateur doit demander au propriétaire de compléter et poster la carte de garantie qui est fournie avec la fournaise.
3. L'installateur doit expliquer au propriétaire la mise en marche et le fonctionnement de la fournaise et du thermostat.

AVERTISSEMENT:

Tout changement fait à cette fournaise ou à ces commandes peut être dangereux. Ceci est un appareil de chauffage et si un panneau, une porte ou un dispositif protecteur est enlevé pour l'entretien de cet appareil, il doit être remplacé avant de remettre en marche.

De conserver le gaz : éteindre pilote lorsque le chauffe-eau n'est pas en usage.

Information Générale

Ce radiateur est un modèle conformément certifié avec l'American National Standard/CSA Standard Z21.86 et CSA 2.32 par Canadian Standards Association comme étant une fournaise murale à air chaud, devant être installée en accordance avec ces instructions.

Tout changement du modèle d'origine, installé autrement que décrit dans ces instructions ou fonctionnant avec un genre de gaz qui n'est pas indiqué sur la plaque d'identification, est la responsabilité de la personne et de la compagnie faisant ce changement.

Important

Toute la correspondance doit mentionner le numéro complet du modèle et de la série et le genre de gaz.

Avis: Pendant le premier allumage de cette unité, la peinture cuira et de la fumée se produira. Pour prévenir les détecteurs de fumée de se déclencher, bien ventiler l'appartement dans lequel l'unité est installée.

Installation dans les Garages Résidentiels

Tous les équipements dans les garages résidentiels employant du gaz, doivent être installés de façon à ce que les brûleurs et les appareils pour allumer les brûleurs doivent être situés à au moins (18") 45.7cm au dessus du plancher.

Tous ces équipements doivent être situés ou protégés de façon à ce qu'un véhicule en se déplaçant ne puisse les endommager.

Agence d'Installation Qualifiée

L'installation et le remplacement des tuyaux à gaz, des équipements ou accessoires, la réparation et l'entretien de l'équipement doivent être faits seulement par une agence qualifiée. Le terme "agence qualifiée" signifie tout individu, firme, corporation ou compagnie qui est, en personne ou par un représentant, engagé et responsable de: (a) l'installation ou le remplacement des tuyaux à gaz, ou (b) la connexion, l'installation, la réparation ou l'entretien de l'équipement, qui possède l'expérience nécessaire en ce genre de travail, est familier avec les précautions requises et s'est conformé à toutes les exigences de l'autorité ayant juridiction.

L'installation doit être conforme aux codes locaux. Dans l'absence de codes locaux, l'installation doit se conformer avec National Fuel Gas Code ANSI Z223.1/NFPA 54* Natural Gas and Propane Installation Code, CSA B149.1.

* Disponible chez American National Standards Institute, Inc., 11 West 42nd St., New York, N.Y. 10036.

Hautes Altitudes

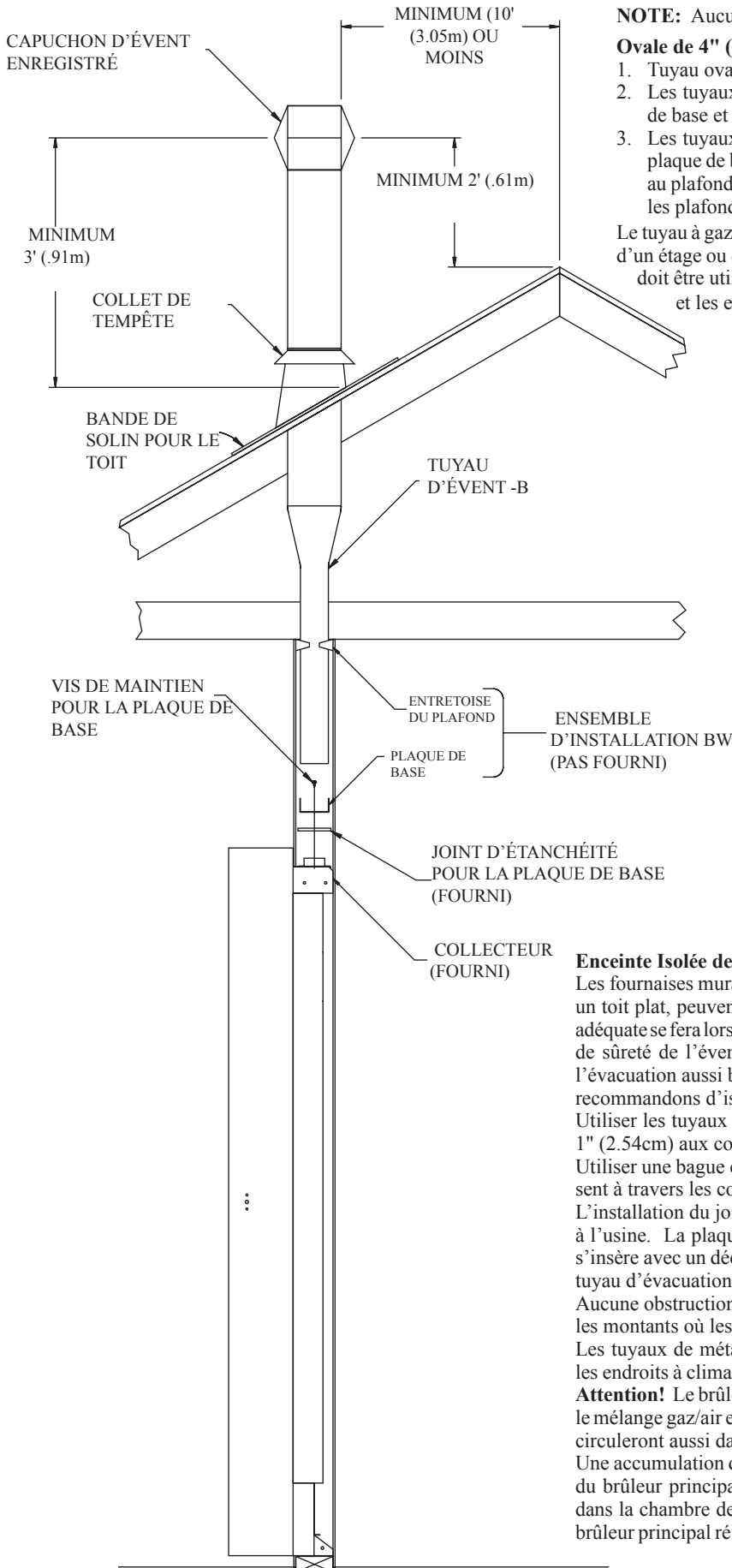
Pour des altitudes/élevations au dessus de 2,000' (610m), les puissances d'entrée devront être réduites de 4% pour chaque 1,000' (305m) au dessus du niveau de la mer. **Hautes Altitudes au Canada** pour les endroits ayant une élévation au dessus du niveau de la mer entre 2,000' (610m) et 4,500' (1370m), la pression doit être diminuée de 3.5" w.c. (.871kPa) à 3.0" w.c. (.747kPa) pour le gaz naturel et de 10.0" w.c. (2.49kPa) à 8.0" w.c. (1.992kPa) pour le gaz propane.

SPÉCIFICATIONS

Modèle	GWT-25W	GWT-35W
Puissance d'entrée BTU/HR (KW/H)	25,000 (7.3)	10.3
Hauteur	66 1/8" (1679mm)	66 1/8" (1679mm)
Largeur	16" (406mm)	16" (406mm)
Profondeur (hors du mur)	6" (152mm)	6" (152mm)
Tuyau d'entrée de gaz	1/2" (13mm)	1/2" (13mm)
Tuyau d'évacuation ovale de type B	4" (102mm)	4" (102mm)
Accessoires pour les fournaises ci-dessus		
Assemblage de la soufflerie	GWTB2W	GWTB2W
Ensemble du registre arrière	GWTR1W	GWTR1W
Ensemble hors du mur	GWTW2W	GWTW2W

Attention: Lorsque le GWTW-2, ensemble hors du mur, est utilisé, le GWTR-1, ensemble du registre arrière, ne peut pas être utilisé.

CONFIGURATION RECOMMANDÉE POUR L'ÉVACUATION

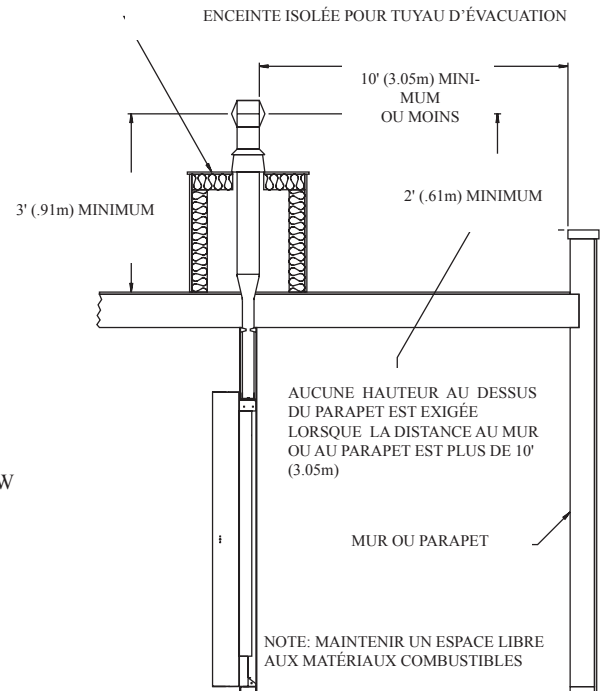


NOTE: Aucun matériel d'évacuation est fourni avec l'appareil.

Ovale de 4" (102mm) (toutes les pièces sont achetées localement)

1. Tuyau ovale de type B-1
2. Les tuyaux d'évacuation de type B-1 pour un étage exigent une plaque de base et une paire d'entretoises pour le plafond.
3. Les tuyaux d'évacuation de type B-1 pour plusieurs étages exigent une plaque de base, une paire d'entretoises pour le plafond que vous installez au plafond du premier étage et une paire d'entretoises pare-feu pour tous les plafonds successifs.

Le tuyau à gaz d'évacuation de type B-W est disponible pour les installations d'un étage ou de plusieurs étages. Le tuyau à gaz d'évacuation de type B-W doit être utilisé avec la plaque de base certifiée, les entretoises du plafond et les entretoises à pare-feu.



Enceinte Isolée de l'Évent

Les fournaies murales à air chaud par gravité installées dans des bâtiments ayant un toit plat, peuvent avoir une évacuation inadéquate. Un délai de l'évacuation adéquate se fera lorsque le tuyau d'évacuation est froid par conséquent l'interrupteur de sûreté de l'évent "fermera" la fournaie murale. Pour prévenir le délai de l'évacuation aussi bien que la condensation dans les conduits d'évacuation, nous recommandons d'isoler l'enceinte d'évent.

Utiliser les tuyaux d'évacuation de type B et garder un espace libre d'au moins 1" (2.54cm) aux combustibles.

Utiliser une bague en métal pour protéger les tuyaux d'évacuation lorsqu'ils passent à travers les combustibles.

L'installation du joint d'étanchéité de la plaque de base sur le collecteur est faite à l'usine. La plaque de base est attachée au collecteur avec des vis. L'évent-B s'insère avec un dé clic et est attaché à la plaque de base. La hauteur minimum du tuyau d'évacuation doit être de 6' (1.82m) au dessus du collecteur.

Aucune obstruction ou aucun papier de construction doit être dans l'espace entre les montants où les tuyaux d'évacuation passent.

Les tuyaux de métal à simple paroi non-isolés ne doivent pas être utilisés dans les endroits à climat froid pour évacuer les gaz d'un appareil fonctionnant au gaz.

Attention! Le brûleur principal utilise l'air ambiant pour la combustion. Lorsque le mélange gaz/air est injecté dans le brûleur principal, des particules de poussières circuleront aussi dans le brûleur principal.

Une accumulation de poussières dans le brûleur principal occasionnera la flamme du brûleur principal à devenir jaune et possiblement une accumulation de suie dans la chambre de combustion et dans le tuyau d'évacuation. Pour nettoyer le brûleur principal référez à la Page 13, "Flamme convenable du brûleur principal".

ALIMENTATION EN GAZ

Vérifier tous les codes locaux pour répondre aux exigences, spécialement pour la grandeur et le genre de ligne requise pour l'alimentation de gaz.

Le Diamètre recommandé de tuyau de gaz

Longuer de tuyau	Le plan 40 tuyau diameter d'intérieur		Les tuyaux, Taper L Hor du Diamètre	
	Nat.	LP	Nat.	LP
0-10 feet 0-3 meters	1/2"	3/8"	1/2"	3/8"
10-40 feet 4-12 meters	1/2"	1/2"	5/8"	1/2"
40-100 feet 13-30 meters	1/2"	1/2"	3/4"	1/2"
100-150 feet 31-46 meters	3/4"	1/2"	7/8"	3/4"

Note: Ne jamais utiliser des tuyaux de plastique. Assurez-vous que les codes locaux permettent les tuyaux de cuivre ou galvanisés.

Note: Étant donné que certaines municipalités ont des codes locaux additionnels, il est toujours préférable de consulter votre autorité locale et le code d'installation.

Installation d'un Nouveau Robinet Principal pour le Gaz

Chaque appareil doit avoir son propre robinet manuel de gaz.

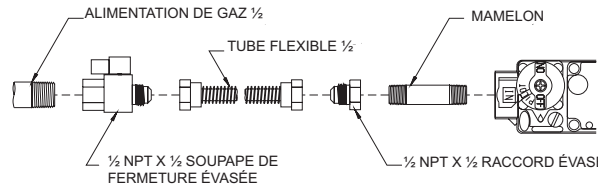
Un robinet manuel principal doit être situé près de l'appareil. S'il n'y en a pas ou si la grosseur ou l'emplacement est inadéquat, contacter votre installateur autorisé pour l'installation ou pour changer l'emplacement.

Les composantes employées sur les joints filetés des tuyaux doivent être résistantes à l'action des gaz de pétrole liquéfiés. La canalisation de gaz doit être vérifiée par l'installateur pour des possibilités de fuites. Ceci doit être fait sur toutes les connexions exposées avec une solution savonneuse. Surveiller pour la formation de bulles. Si les connexions ne sont pas exposées, un test de pression doit être fait.

Ne jamais employer une flamme pour vérifier les fuites. Lors d'un test de pression, le tuyau d'arrivée de la valve de commande doit être débranché de l'appareil et bouché. Ne jamais faire un test de pression lorsque l'appareil est branché; la valve de commande peut être endommagée!

Pour aider à l'entretien, une valve à gaz et un raccord horizontal doivent être installés sur la ligne de gaz en amont du contrôle de gaz. Le National Fuel Gas Code exige qu'une ligne d'égouttage soit installée près de l'entrée de gaz. Ceci doit consister en une longueur de tuyau vertical qui sera raccordé par un T sur la ligne de gaz et terminé au bas par un bouchon. La condensation et les particules étrangères s'y amasseront.

CONNEXION D'UNE LIGNE DE GAZ FLEXIBLE



CONNEXION D'UNE LIGNE RIGIDE

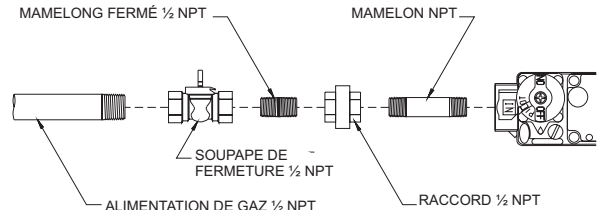


Figure 1

L'emploi des connexions de gaz suivantes est recommandé.

- ANS Z21.24 Connexions d'appareil de tuyaux et de raccords en métal ondulé.
- ANS Z21.45 Connexions flexibles d'appareil autre qu'en métal.

Les connexions ci-dessus peuvent être utilisées si elles sont acceptées par les autorités ayant juridiction. Les connexions ci-dessus peuvent être utilisées si elles sont acceptées par les autorités ayant juridiction. L'État de Massachusetts exige qu'une connexion flexible d'un appareil n'excede pas une longueur de trois pieds.

Test de Pression du Système d'Alimentation de Gaz

1. Pour vérifier la pression d'arrivée à la valve de gaz, une bonde N.P.T. de 1/8" (3.175mm), accessible pour vérifier le jaugeage des connexions, doit être située immédiatement en amont de la connexion d'alimentation de gaz de l'appareil.
2. Pendant un test de pression du système d'alimentation de gaz, l'appareil et sa valve de fermeture doivent être débranchés si une pression supérieure à 1/2 psig (3.5kPa) est employée.
3. Pendant un test de pression du système d'alimentation de gaz, si une pression égale ou inférieure à 1/2 psig (3.5kPa) est employée, l'appareil doit être isolé du système d'alimentation de gaz en fermant sa propre valve de fermeture manuelle.

Attention! Si une des procédures ci-dessus occasionne une pression supérieure à 1/2 psig (3.5kPa) sur la valve de gaz de l'appareil, une situation dangereuse s'en suivra.

Vérifier les Pressions de Gaz

Un régulateur de pression est incorporé dans la valve de gaz propane et celle de gaz naturel.

Les modèles pour le gaz naturel auront des pressions de gaz approximativement de 3.5" w.c. (.871kPa) à la sortie de la valve et une pression d'entrée à la valve d'un minimum de 4.5" w.c. (1.120kPa) pour permettre l'ajustement à l'entrée, allant à un maximum de 10.5" w.c. (2.614kPa). Les modèles pour le gaz propane auront des pressions de gaz approximativement de 10.0" w.c. (2.49kPa) à la sortie de la valve et une pression d'entrée à la valve d'un minimum de 11.0" w.c. (2.74kPa) pour permettre l'ajustement à l'entrée, allant à un maximum de 13.0 w.c. (3.24kPa).

Une bonde N.P.T. de 1/8" (3.175mm), accessible pour vérifier le jaugeage des connexions, est située sur le côté de la sortie de la commande de gaz.

ESPACES LIBRES

1. En choisissant un emplacement, il est nécessaire de fournir l'espace libre adéquat pour l'accès à l'installation et à l'entretien.
2. Les espaces libres aux surfaces combustibles sont de 4" (102mm) pour les côtés, 12" (305mm) pour le dessus et 1 1/2" (38mm) pour le plancher.

NOTE: Une distance minimum de 38mm doit aussi être maintenue

pour le dessus des tapis, tuiles, etc.

AIR DE VENTILATION ET DE COMBUSTION

Les fournaies murales doivent être installées dans un endroit où la facilité de la ventilation permet une combustion de gaz satisfaisante et un échappement convenable sous des conditions normales. Dans les bâtiments de construction conventionnelle, de brique ou de pierre sans fenêtre et porte étanche, l'infiltration est normalement adéquate pour fournir l'air pour la combustion et la dilution du coupe-tirage.

Lorsque les appareils sont installés dans des endroits confinés

et ouverts d'un bâtiment lequel est exceptionnellement étanche, l'air de combustion et de ventilation doit être obtenu directement de l'extérieur ou d'un espace qui communique librement avec l'extérieur. Sous ces conditions, les endroits confinés et ouverts doivent être pourvus de deux ouvertures permanentes, une près du dessus de l'enceinte et une près du dessous; chaque ouverture doit avoir un espace libre pas moindre que 6.45cm carré par 2,000 Btu (.6KW/H) d'entrée totale.

EMPLACEMENT- POUR TOUS LES MODÈLES

Choisir un emplacement près du centre de l'espace à être chauffé. Le surplus de chaleur circulera dans les chambres contiguës par les encadrements de porte.

Pour les grandes maisons ou des surfaces étendues de plancher, nous recommandons deux ou plusieurs fournaies. Ne placer pas une fournaie près d'une porte qui en s'ouvrant frapperait la paroi extérieure de la fournaie ou près d'un meuble ou une armoire qui ralentirait la circulation.

Ne pas installer dans un garde-robe, une alcôve ou un petit passage où des portes fermées peuvent isolées la fournaie de l'endroit à être chauffé.

Lorsque l'emplacement est choisi, vérifier les murs, le grenier et le toit pour être certain qu'il n'y a pas d'obstruction telles que des tuyaux, des fils électriques, etc., lesquels entraveraient l'installation de la fournaie ou le tuyau d'évacuation.

Note: Si l'ensemble du registre arrière est utilisé, voyez les instructions pour l'ensemble du registre arrière pour l'emplacement du trou dans le mur arrière. La sortie du registre doit être coupée dans le mur avant l'installation de la fournaie.

Note: Si la soufflerie facultative est utilisée, l'installation électrique permanente de la soufflerie facultative doit être complétée avant d'installer la plaque collectrice.

INSTRUCTIONS SOMMAIRES

Faites une ouverture dans le mur d'une largeur de 14 1/2" (368mm) et d'une hauteur de 66 1/8" (168cm), en mesurant à partir du dessus de la lambourde (Voir Figure 2 et Figure 3). L'épaisseur du mur consistera d'une construction de 2" x 4" (51mm X 102mm) avec une tôle de 1/4" (6.5mm) à 5/8" (16mm). Assembler la plaque de base (pas fournie avec la fournaie) à la plaque collectrice en utilisant des vis à tôle à chaque extrémité. Attachez un tuyau d'évacuation oval de 4" (102mm) et à double parois à la plaque de base. Assurez-vous que vous aurez assez de longueur de tuyau d'évacuation de façon que lorsqu'il sera installé dans l'ouverture murale, le tuyau d'évacuation s'allongera d'au moins 6" (152mm)

au-dessus de la plaque du plafond. Installez les entretoises du plafond en suivant les instructions du manufacturier. Insérez la plaque collectrice avec le tuyau d'évacuation oval de 4" (102mm) et à double parois dans l'ouverture murale. Mettez en place la plaque collectrice à la hauteur représentée à la Figure 2. Trouvez le bord arrière du rebord cloué à l'arrière du montant de 2" x 4" (51mm x 102mm) lequel centrera le collet de l'évent dans le mur. Placez le rebord angulaire de la plaque collectrice de niveau avec le dessus de l'ouverture murale. Clouez la plaque collectrice aux montants.

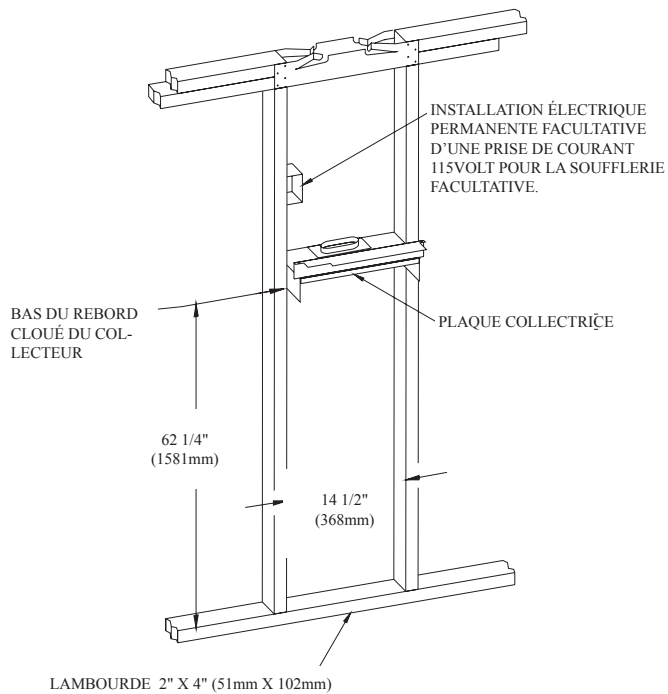


Figure 2

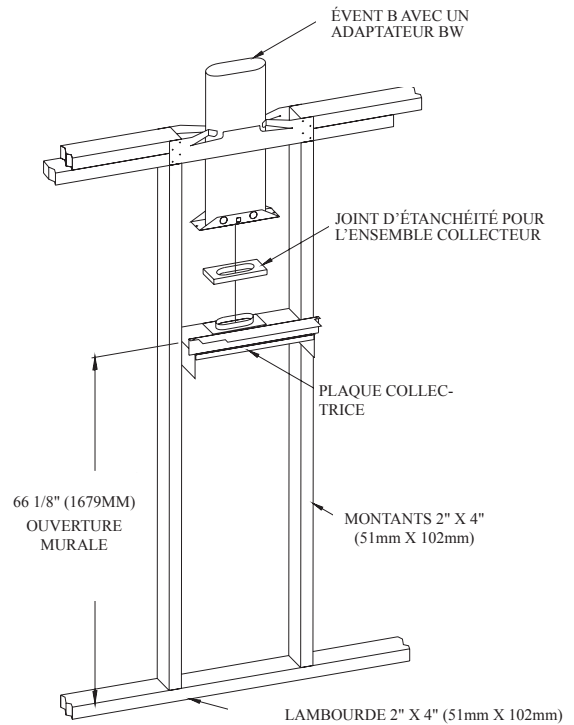


Figure 3

INSTRUCTIONS POUR LA FINITION

Plâtrage (Figure 4)

Dans une nouvelle construction utiliser seulement des lattes de gypse uni (non perforée) autour de la fournaise et du tuyau d'évacuation ainsi les "Rappointis" du plâtre ne sortiront pas dans le trou du mur. Voir Figure 4.

Utiliser des lattes de bois clouées à l'intérieur des montants et sur le dessus de la plaque du bas. Celles-ci doivent être enlevées avant d'installer la fournaise. Latter et plâtrer autour de la partie supérieure de la projection de la plaque collectrice.

Ne laisser aucun matériel de la finition du mur dépasser dans la cavité de la fournaise.

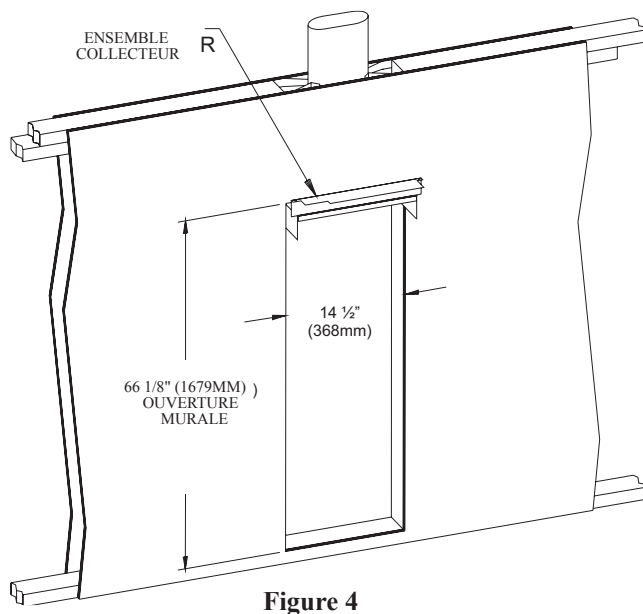


Figure 4

Installer la Fournaise (Figure 5)

Nettoyer la cavité de tous les débris et enlever le plâtre et le bois sur le sol. Placer la fournaise sur le plancher devant l'ouverture murale.

Insérer le tuyau d'évacuation de la fournaise dans l'ouverture rectangulaire dans la plaque collectrice et soulever la fournaise soigneusement. (voir Figure 5). Basculer le bas de la fournaise dans l'ouverture murale en ayant l'arrière des pattes à fleur avec l'arrière de la lambourde. Fixer les pattes de support de la fournaise à la lambourde.

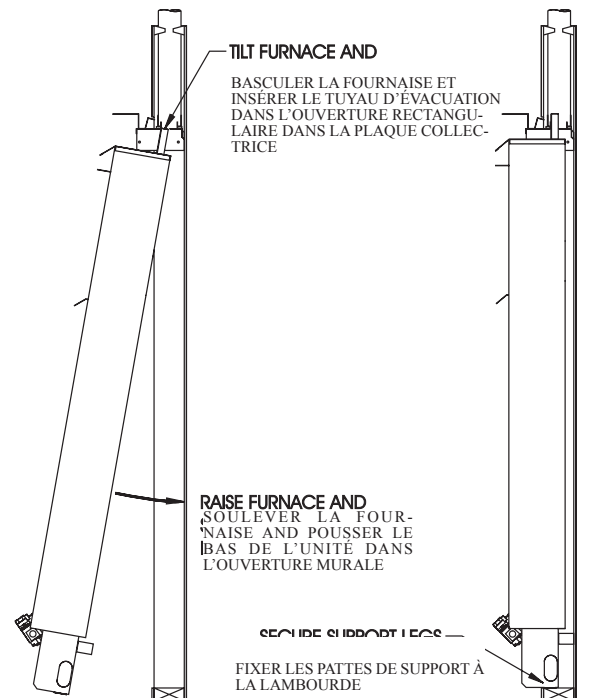


Figure 5

INSTRUCTIONS POUR LA FINITION (suite)

Éviter de fixer la fournaise trop serrée et de perturber la paroi intérieure. N'essayer pas de forcer la fournaise dans une ouverture murale qui serait plus petite que les dimensions mentionnées.

PAROI EXTÉRIEURE (Figure 6)

1. Aligner les encoches de 1 3/4" du support de la paroi avec les trous de vis qui sont au bas de la paroi intérieure. Attacher le support de la paroi avec la paroi intérieure avec une (1) vis #10 x 1/2" pour chaque support de la paroi. Ne serrez pas les vis complètement à ce moment.
2. Placer la paroi extérieure sur le collecteur.
Attention: Utiliser le trou libre au centre supérieur de la paroi extérieur pour attacher le collecteur avec une (1) vis Phillips #8 x 3/8" **lorsque la soufflerie facultative n'est pas installée.**
Attention: Utiliser les trous libres extérieurs de la partie supérieure de la paroi extérieure pour attacher le collecteur avec deux (2) vis Phillips #8 x 3/8" **lorsque la soufflerie facultative est installée.**
3. Aligner les trous libres au bas de la paroi extérieur avec les trous de vis qui sont sur les supports de la paroi en ajustant les encoches sur les supports de la paroi.
4. Maintenant, visser complètement les vis du support de la paroi que vous avez installées à l'Étape 1 avec la paroi intérieure.
5. Attacher la paroi extérieure avec les supports de la paroi en utilisant deux (2) vis #10 x 1 1/2".

INSTALLER LA PORTE DE COMMANDE

Attacher deux rondelles (fournies avec fournaise) aux goupilles situées au bas de la porte de commande. Installer la porte de commande à l'assemblage des parois extérieures.

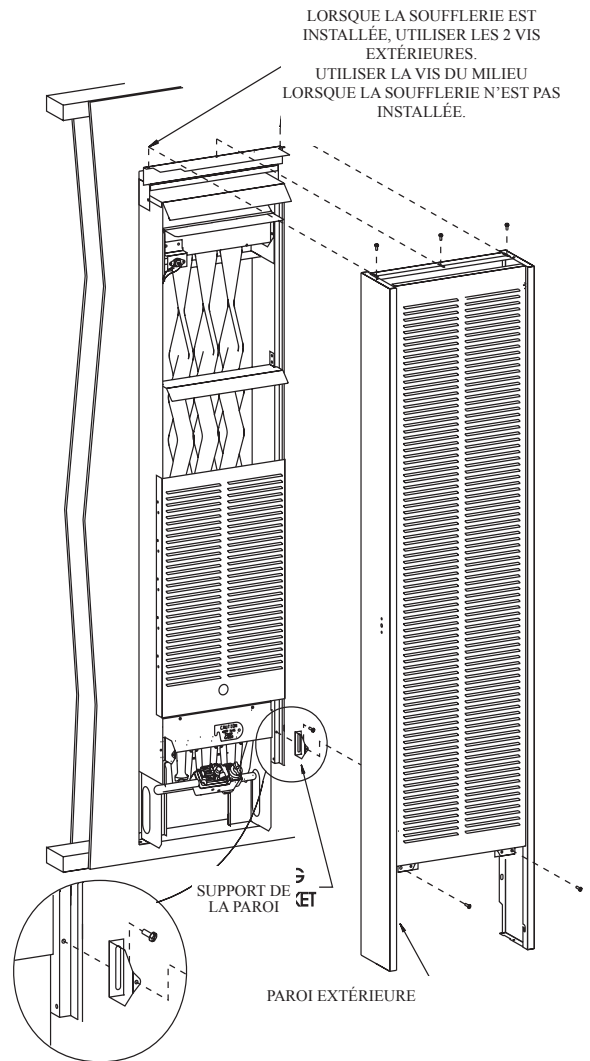


Figure 6

INSTALLATION d'un DISPOSITIF de MARCHE/ARRÊT

ATTENTION — Ne placer pas des fils électriques derrière les rebords de la plaque collectrice ou quelque part où ils seraient endommagés.

Les dispositifs de marche/arrêt muraux sont conçus pour l'usage d'un système auto-générateur. Il ne doivent jamais être utilisés sur un circuit en ligne ou un circuit de bas voltage de courant alternatif.

Installation d'un Dispositif de marche/arrêt

Pour installer un dispositif de marche/arrêt (tel qu'un interrupteur mural, une télécommande, un interrupteur à bascule ou un thermostat), enlever le capuchon de connexion des deux fils de la vanne. Tirer un fil supplémentaire entre les fils de vanne et le dispositif de marche/arrêt. Installer le dispositif de marche/arrêt dans la même pièce que la chaudière en suivant les instructions d'installation fournies avec le dispositif. En l'absence d'instructions, installez le dispositif de marche/arrêt à 1,2 à 1,5 mètres (4 à 5 pieds) au-dessus du sol sur un mur intérieur qui ne subit pas l'effet d'une autre source de chaleur (poêle ou chauffe-eau) ni de la température d'une pièce voisine.

Le bon fonctionnement dépend d'une flamme adéquate de la veilleuse. La flamme doit recouvrir le haut de la thermopile. Le nettoyage de l'orifice de la veilleuse et du brûleur doit être fait à cause des araignées.

Vérification du système

La vérification du système nécessite un millivoltmètre. Les mesures en millivolts doivent être :

- Entre les bornes de la thermopile : 400 à 450 millivolts avec la chaudière à OFF.
- Entre les bornes de la thermopile : 150 à 250 millivolts avec la chaudière à ON.
- Entre les fils de la vanne : moins de 30 millivolts avec la chaudière à ON.

De conserver le gaz : éteindre pilote lorsque le chauffe-eau n'est pas en usage.

Brancher les fils du thermostat à la valve de gaz comme il est représenté à la Figure 7.

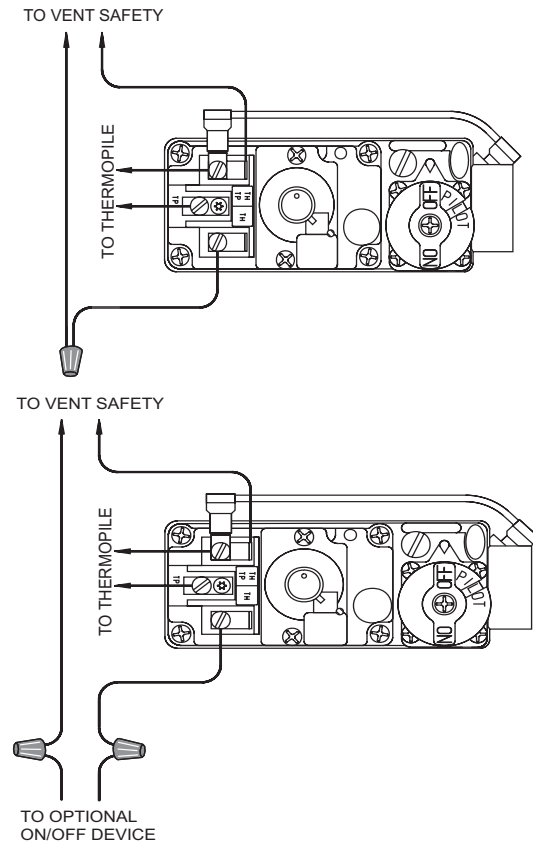


Figure 7

INSTRUCTIONS D'ALLUMAGE

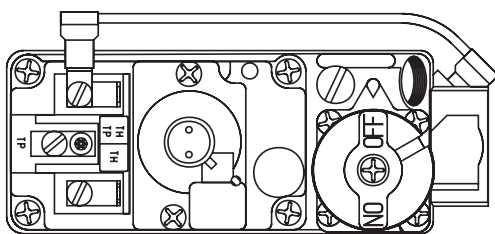
POUR VOTRE SÉCURITÉ LIRE AVANT D'ALLUMER

AVERTISSEMENT: Si vous ne suivez pas exactement ces instructions, un feu ou une explosion peut se produire causant des dommages à la propriété, des blessures corporelles ou la mort.

- A. Cet appareil a une veilleuse qui doit être allumée manuellement. Lorsque vous allumez la veilleuse, suivez exactement ces instructions.
- B. **AVANT D'ALLUMER**, sentez partout dans l'appartement dans lequel l'appareil est situé pour déceler une odeur de gaz. Soyez certain de sentir près du plancher parce qu'il y a des gaz qui sont plus pesant que l'air et ceux-ci resteront sur le plancher.
- QUOI FAIRE SI VOUS SENTEZ LE GAZ**
- N'essayez pas d'allumer un appareil.
 - Ne touchez pas les interrupteurs électriques. N'utilisez pas les téléphones dans le bâtiment.
 - Appelez immédiatement votre fournisseur de gaz en employant le téléphone de votre voisin. Suivre les instructions du fournisseur de gaz.
- Si vous ne pouvez pas contacter votre fournisseur de gaz, appeler le poste de pompiers.
- C. Utiliser seulement votre main pour pousser ou tourner le bouton de contrôle de gaz. N'utiliser jamais des outils. Si vous ne pouvez pas pousser ou tourner le bouton avec vos mains, n'essayez pas de le réparer; appeler un technicien qualifié. Forcer ou essayer de réparer peut résulter en un feu ou une explosion.
- D. Ne pas utiliser cet appareil si une pièce a été en contact avec l'eau. Appeler immédiatement un technicien qualifié pour inspecter le radiateur et remplacer toute pièce du système de commande et les commandes de gaz qui ont été en contact avec l'eau.

INSTRUCTIONS D'ALLUMAGE

1. Arrêter! Lire les informations de sécurité ci-dessus (le cas échéant).
2. Éteindre tout pouvoir électrique à l'appareil. (Si applicable)
3. Enlever le panneau d'accès aux commandes (porte des commandes).
4. Pousser légèrement le bouton de contrôle de gaz et tourner dans le sens des aiguilles d'une montre à la position "FERMÉ".

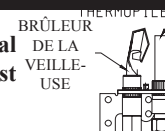


BOUTON DE CONTRÔLE DE GAZ REPRÉSENTÉ DANS LA POSITION "FERMÉ"

NOTE: Le bouton ne peut pas être tourné de la position "VEILLEUSE" à la position "FERMÉ" à moins que vous poussiez légèrement le bouton. Ne pas forcer.

5. Attendre 10 minutes pour se débarrasser des gaz. Après les 10 minutes, sentir partout y compris près du plancher pour déceler une odeur de gaz. Si vous sentez le gaz, ARRÊTER! Suivre "B" dans les informations de sécurité ci-dessus. Si vous ne sentez aucun gaz, aller à la prochaine étape.

6. Trouver la veilleuse - suivre le tuyau de métal à partir du contrôle de gaz. La veilleuse est montée devant le brûleur principal.
7. Tourner le bouton de contrôle de gaz dans le sens opposé des aiguilles d'une montre à la position "VEILLEUSE".
8. Pousser complètement en bas le bouton de contrôle et tenir dans cette position. Immédiatement, allumer la veilleuse avec une allumette. Continuer de tenir le bouton de contrôle pour environ une (1) minute après que la veilleuse soit allumée. Relâcher le bouton et il reviendra à sa position. La veilleuse est supposée rester allumée. Si elle s'éteint, recommencer les étapes 5 jusqu'à 9.
- Si le bouton ne revient pas à sa position lorsque vous le relâchez, arrêter et appeler immédiatement un technicien d'entretien qualifié ou le fournisseur de gaz.
- Si la veilleuse ne reste pas allumée après plusieurs essais, tourner le bouton de contrôle de gaz à la position "fermé" et appeler votre technicien d'entretien ou votre fournisseur de gaz.
9. Tourner le bouton de contrôle de gaz dans le sens opposé des aiguilles d'une montre à la position "OUVERT".
10. Replacer le panneau d'accès aux commandes (porte des commandes).
11. Allumer tout le pouvoir électrique de l'appareil. (si applicable)



POUR FERMER LE GAZ À L'APPAREIL

1. Si l'entretien doit être fait, éteindre tout le pouvoir électrique à l'appareil (si applicable).
2. Enlever le panneau d'accès aux commandes (porte des commandes).
3. Pousser légèrement le bouton de contrôle de gaz et tourner dans le sens des aiguilles d'une montre à la position "FERMÉ". Ne pas forcer.
4. Replacer le panneau d'accès aux commandes (porte des commandes).

LE SYSTÈME DE FERMETURE DE SÛRETÉ DE L'ÉVENT

Cet appareil doit être branché correctement à un système d'évacuation. Cet appareil est muni d'un système de fermeture de sûreté de l'évent.

AVERTISSEMENT: Le fonctionnement de cette fournaise murale lorsqu'elle n'est pas branchée à un système d'évacuation lequel doit être installé et entretenu correctement ou lorsque vous tripotez avec le système de fermeture de sûreté de l'évent, peut causer un empoisonnement au monoxyde de carbone (CO) et possiblement la mort.

Cette fournaise est munie d'un interrupteur de sûreté de l'évent avec une remise à zéro manuelle. Lors d'une évacuation inadéquate ou d'une obstruction de la cheminée, l'interrupteur de sûreté de l'évent avec une remise à zéro manuelle provoquera une fermeture du débit de gaz au brûleur principal.

Pour remettre à zéro l'interrupteur de sûreté de l'évent avec une remise à zéro manuelle:

1. Enlever la paroi extérieure.
2. Abaisser le bouton de remise à zéro manuelle. L'interrupteur de sûreté de l'évent avec une remise à zéro manuelle est situé sur le coupe-tirage.
3. Replacer la paroi extérieure.

Si l'interrupteur de sûreté de l'évent avec remise à zéro manuelle continu d'arrêter le débit de gaz au brûleur principal, un technicien d'entretien qualifié doit être contacté pour vérifier s'il y a une évacuation inadéquate, une obstruction dans le tuyau d'échappement ou si l'interrupteur de sûreté de l'évent avec remise à zéro manuelle est défectueux.

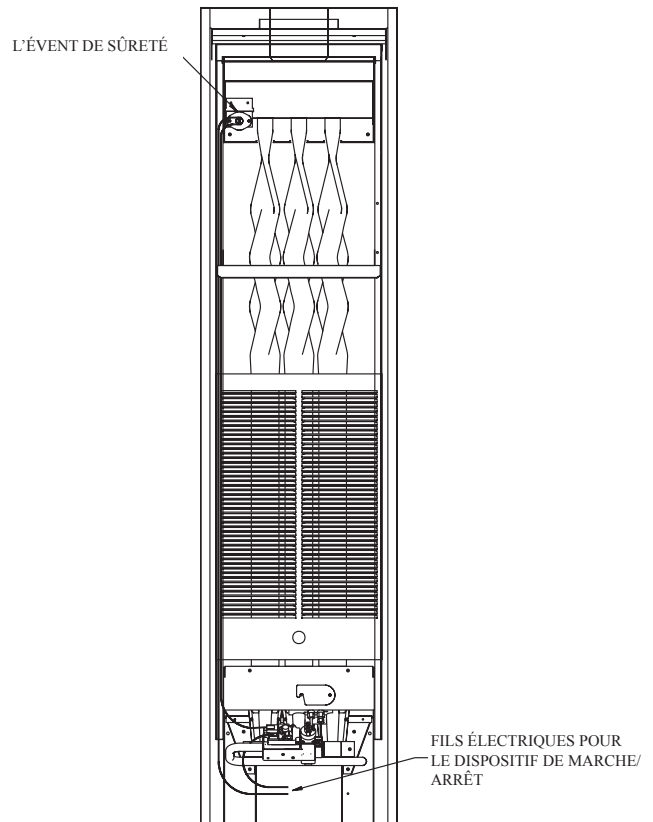


Figure 8

ASPECT CONVENABLE DE LA FLAMME DU BRÛLEUR PRINCIPAL

La flamme convenable aura une petite flamme bleue intérieure avec une flamme extérieure bleue pâle beaucoup plus grande. Il n'y a pas d'ajustement d'air primaire pour le brûleur. La flamme sera adéquate si la pression pré-ajustée à l'usine et les orifices sont utilisés. Après que la fournaise ait fonctionné, un nettoyage du brûleur peut être exigé pour obtenir une flamme adéquate. Vérifier au moins 2 fois par année.

Pour nettoyer les orifices du brûleur, débrancher l'alimentation de gaz à la valve. Dans la chambre de combustion, enlever l'assemblage du brûleur. Enlever le brûleur de la veilleuse qui est branché au brûleur principal et alors vous pourrez enlever le brûleur principal. Faire entrer de l'eau avec force dans les orifices et sécher avec une pression d'air par exemple un aspirateur ou un compresseur d'air à basse pression.

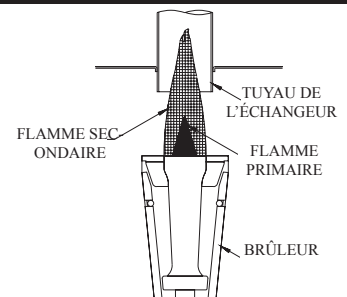


Figure 9

ASPECT CONVENABLE DE LA FLAMME DE LA VEILLEUSE

La flamme adéquate sera bleue et s'allongera plus loin que la thermopile. La flamme entourera la thermopile juste en-dessous de la pointe.

Les veilleuses de gaz naturel exigent un ajustement lorsque la pression d'entrée de gaz est supérieure à 5" w.c. (1.25kPa). Enlever la vis du couvercle de la veilleuse sur la valve de contrôle et tourner la vis d'ajustement dans le sens des aiguilles d'une montre pour réduire la flamme. Replacer la vis du couvercle de la veilleuse pour éliminer une fuite de gaz à l'ouverture de cette valve de contrôle.

Le gaz PL (propane) n'exige aucun ajustement.

Après l'usage, un nettoyage peut être exigé pour obtenir une flamme adéquate.

Examiner la flamme de la veilleuse avant et durant chaque saison de chauffage.

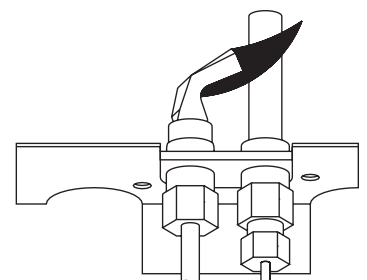


Figure 10

DÉTECTION DES DÉFECTUOSITÉS

GÉNÉRAL: Toutes les fournaies ont reçu un test d'allumage pour vérifier le bon fonctionnement. Ceci inclus la flamme du brûleur principal, la flamme de la veilleuse et le fonctionnement du contrôle de gaz. Si la fournaie ne fonctionne pas à la première installation, nous vous suggérons de revérifier ce qui suit:

1. Pression de gaz à l'arrivée
2. Le genre de gaz utilisé et montré sur la plaque d'identification.

Pour vous assister à l'entretien de la fournaie, vous pouvez contacter le département de service à Empire Comfort Systems, Inc.

Entretien de la Veilleuse et du Brûleur Principal, Orifice de la Veilleuse, Thermopile et Orifice du Brûleur Principal

Débrancher l'alimentation de gaz à l'entrée de la valve de contrôle. Enlever l'assemblage du brûleur à laquelle les pièces composantes ci-dessus sont attachées.

Veilleuse ne s'Allume pas

Lorsqu'il y a de l'air dans la ligne de gaz, par exemple lors de la première installation de la fournaie ou à cause du non-fonctionnement durant l'été, la flamme de la veilleuse peut être trop faible pour s'enflammer lors des premiers essais. Tourner le bouton de la valve de contrôle à la position VEILLEUSE et baisser le bouton de contrôle de gaz. Tenir le bouton de contrôle de gaz baissé pour drainer la ligne;

1. Utiliser une tige d'allumage pour allumer la veilleuse avec une allumette.

En Aucune Façon, la Veilleuse ne s'Allume Pas

1. Vérifier le bouton de contrôle de gaz, il doit être dans la position "Veilleuse".
2. Vérifier l'ajustement de la veilleuse, il doit être complètement ouvert (dans le sens opposé des aiguilles d'une montre pour "ouvert").
3. S'il y a du gaz dans le tuyau d'alimentation, l'orifice de la veilleuse et/ou le brûleur de la veilleuse est probablement bouché par un fil d'araignées. Nettoyer l'assemblage de la veilleuse et réallumer.

La Veilleuse s'Enflamme mais s'Éteint Lorsque le Bouton de Contrôle de Gaz est Relâché:

1. Suivre les instructions et appuyer sur le bouton de contrôle de gaz plus longtemps et fermement.
2. Déterminer si la flamme de la veilleuse s'allonge au-delà de la thermopile; si non, ajuster la flamme de la veilleuse ou nettoyer le brûleur de la veilleuse.
3. Remplacer la thermopile si la lecture des millivolts est moindre que 300 millivolts lorsque le dispositif de marche/arrêt mural ou la commande lumineuse est FERMÉ. Remplacer le contrôle de gaz si la lecture des millivolts de l'aimant à déclenchement est plus de 100 millivolts.

Panne de la Veilleuse lors d'un Fonctionnement Normal

1. Vérifier l'entrée de gaz avec un manomètre ou un gazomètre.
2. Vérifier la sortie en millivolt lorsque la fournaie fonctionne. Si la sortie en millivolt décroît lorsque la fournaie fonctionne, le contrôle de gaz peut être défectueux.

Valve Principale de Gaz ne s'Ouvre Pas Lorsque dispositif de marche/arrêt est Tourné à "Ouvert":

1. Vérifier la sortie en millivolt de la thermopile.
2. Les fils électriques du dispositif de marche/arrêt peuvent être brisés.
3. Le dispositif de marche/arrêt peut être défectueux.

LISTE DES PIÈCES

ATTENTION: Lorsque vous commandez les pièces, il est très important que le numéro de la pièce et la description coïncident.

Numéro d'index	Numéro de la pièce	Description	Numéro d'index	Numéro de la pièce	Description
1	WFA-115	Joint d'étanchéité du collecteur	17	GWT-010	Compartiment avant du brûleur - GWT-25W-1 PL
2	36323	Ensemble collecteur (inclus no. 1, joint d'étanchéité)	17	GWT-008	Compartiment avant du brûleur - GWT-35W-1 PL
3	GWT-182	Ensemble des parois intérieures	18	DV-064	Plaque de recouvrement
4	GWT-065	Ensemble du coupe-tirage - GWT-25W-1	19	R-3035	Veilleuse - PL
4	GWT-066	Ensemble du coupe-tirage - GWT-35W-1	19	R-3034	Veilleuse - NAT
5	R-3239	Interrupteur de sûreté de l'évent - GWT-25W-1	20	GWT-021	Support de la veilleuse
5	R-3045	Interrupteur de sûreté de l'évent - GWT-35W-1	21	R-1054	Thermopile
6	R-3038-A	Ensemble de conducteur ECO	22	GWT-186	Support des parois
7	GWT-020	Blindage à l'avant	23	36328	Ensemble de la paroi avant (Comprend n°24)
8	GWT-077	Blindage thermique	24	R-3763	Aimant (exige 2)
9	26463	Ensemble de l'échangeur - GWT-25W-1	25	36321	Ensemble des portes
9	26464	Ensemble de l'échangeur - GWT-35W-1	26	R-885	Rondelle en nylon (exige 2)
10	GWT-070	Ensemble du support du brûleur - GWT-25W-1	27	23906	protection
10	GWT-073	Ensemble du support du brûleur - GWT-35W-1	28	36354	Enveloppe complète (comprend n°23, n°25 et n°26)
11	R-5245	Soupape de gaz - NAT	29	29011	Support de tube d'échangeur
11	R-5246	Soupape de gaz - PL	Pas Représenté	GWT-121	Tubulure de la veilleuse - GWT-25W-1
12	R-3031	Brûleur (GWT-25W-1 - exige 3) (GWT-35W-1 - exige 4)	Pas Représenté	GWT-076	Tubulure de la veilleuse - GWT-35W-1
13	P-88-55	Orifice du brûleur - GWT-25W-1 NAT (exige 3)	Pas Représenté	R-1089	Orifice de la veilleuse (Honeywell .009 PL seulement)
13	P-88-65	Orifice du brûleur - GWT-25W-1 PL (exige 3)	Pas Représenté	R-1081	Orifice de la veilleuse (Honeywell .014 NAT seulement)
13	P-88-54	Orifice du brûleur - GWT-35W-1 NAT (exige 4)	Pas Représenté	GWT-190	Ensemble de quincaillerie
13	P-88-65	Orifice du brûleur - GWT-35W-1 PL (exige 4)			
14	GWT-015	Volet arrière pour l'air - GWT-25W-1			
14	GWT-012	Volet arrière pour l'air - GWT-35W-1			
15	GWT-054	Volet du bas pour l'air - GWT-25W-1 PL			
15	GWT-049	Volet du bas pour l'air - GWT-35W-1 PL			
16	GWT-014	Volet avant pour l'air - GWT-25W-1			
16	GWT-011	Volet avant pour l'air - GWT-35W-1			

Utiliser seulement les pièces de remplacement du fabricant. L'emploi de d'autres pièces peut causer des blessures ou la mort.

FAÇON DE COMMANDER LES PIÈCES DE RÉPARATION

Les pièces peuvent être commandées seulement par l'entremise du **technicien d'entretien ou du vendeur**. Pour de meilleurs résultats, le **technicien d'entretien ou le vendeur** devrait commander les pièces chez le distributeur. Les pièces peuvent être expédiées directement au technicien d'entretien ou au vendeur.

Toutes les pièces énumérées dans la liste ont un numéro de pièce. Lorsque vous commandez des pièces, premièrement obtenez le numéro du modèle sur la plaque d'identification de l'appareil. Puis en vous référant à l'illustration et à la liste des pièces, déterminer le numéro de la pièce (pas le numéro d'index) et la description de chaque pièce. Soyez certain de donner toutes ces informations.

Numéro du modèle du radiateur _____ Description de la pièce _____

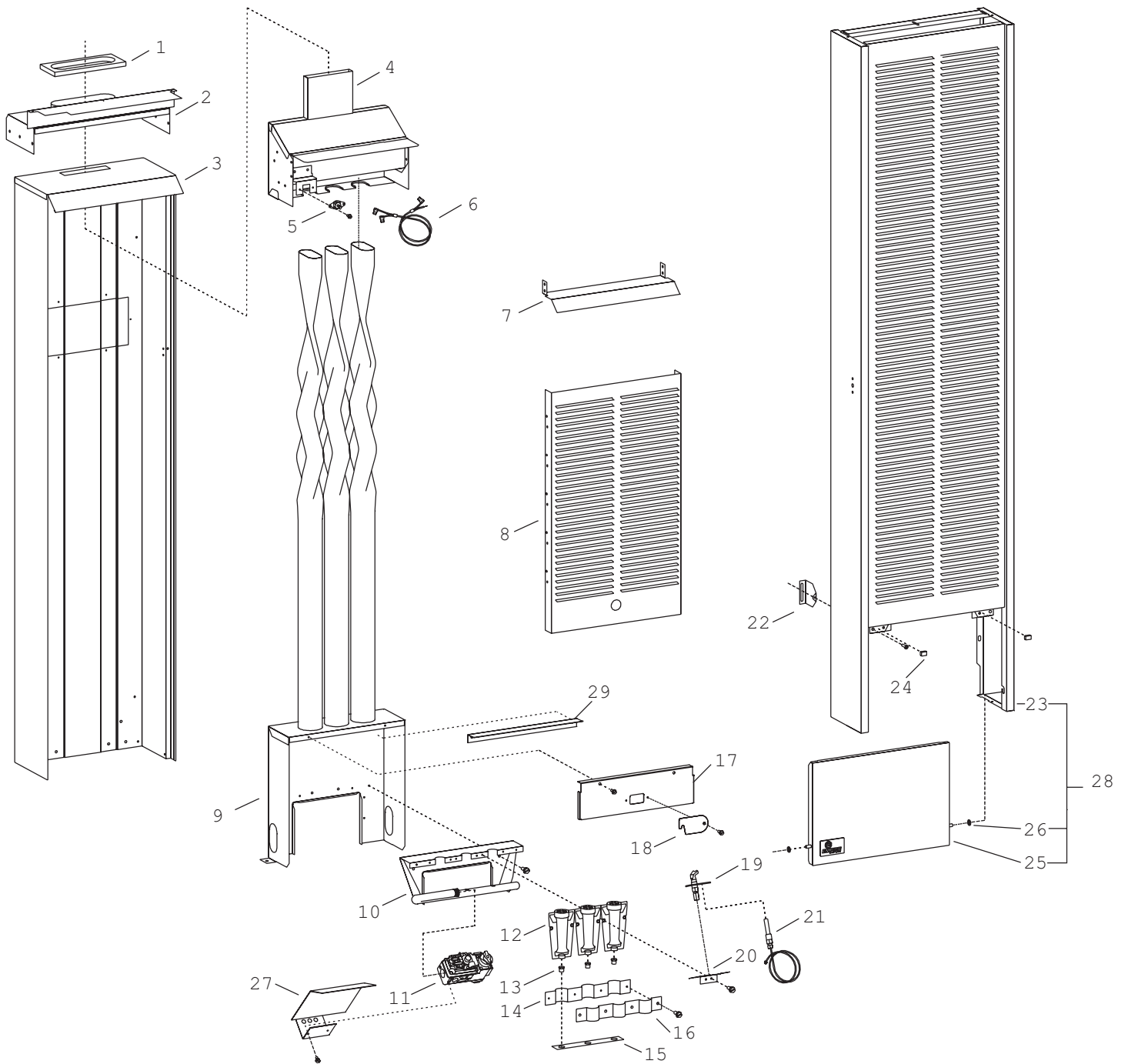
Numéro de série du radiateur _____ Numéro de la pièce _____

Sorte de Gaz (Propane ou Naturel) _____

Ne pas commander les boulons, les vis, les rondelles ou les écrous. Ce sont des pièces standard que vous pouvez acheter dans les quincailleries.

L'expédition des marchandises se fera sans délai, excepté en cas de grèves, de feux ou toutes autres circonstances indépendantes de notre volonté.

VUE DES PIÈCES



INSTRUCTIONS POUR L'INSTALLATION DE LA SOUFFLERIE FACULTATIVE

Installation de la Soufflerie en Utilisant une Fiche à Trois Broches

1. Installer la fournaise selon les Instructions pour l'Installation et Manuel du Propriétaire.
2. Référez-vous au dessin pour les mesures qui vous permettront de localiser (2) trous de montage sur la surface murale au-dessus de la fournaise.

Sur un Mur Solide

3. Après avoir localiser les trous de montage, attacher (2) vis 10 x 1 1/2" (38mm) dans le mur. Les vis sont fournies dans l'ensemble de la soufflerie. Ne vissez pas complètement les vis au mur, laisser un espace de 7/16" (11mm) entre la tête de la vis et le mur.

Sur un Mur en Placoplâtre

3. Après avoir localiser les trous de montage, percer (2) trous de 5/16" (7.8mm) de diamètre dans le mur. Insérer les (2) ancrages d'expansion en plastique dans les trous. Insérer les (2) vis 10 x 1 1/2" (38mm) dans les ancrages d'expansion en plastique. Les vis sont fournies dans l'ensemble de la soufflerie. Ne vissez pas complètement les vis dans les ancrages d'expansion en plastique, laisser un espace de 7/16" (11mm) entre la tête de la vis et l'ancrage d'expansion en plastique. Référez-vous à la Figure 2.
4. À la partie supérieure de la paroi extérieure, enlevez la (1) vis du trou du milieu qui attachent la paroi extérieure avec le collecteur. Aussi enlevez les (2) vis qui attachent la partie inférieure de la paroi extérieure à la paroi intérieure.
5. Tirer la paroi extérieure vers l'avant approximativement 1" (26mm) de la surface murale.
6. Enlever (4) vis 8 x 3/8" qui attachent l'avant de la soufflerie au châssis de la soufflerie.

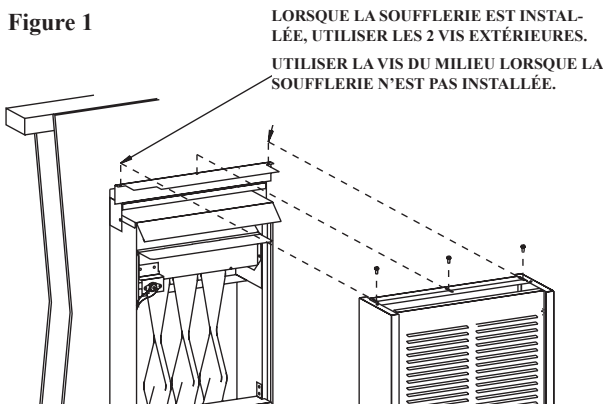
Avvertissement: Lorsque vous enlevez la paroi avant de la soufflerie, faites attention de ne pas endommager la bobine de fils électrique du moteur. Si la bobine de fils électrique est endommagée, ceci mettra la soufflerie hors de service

7. Placer le châssis de la soufflerie sur le dessus de l'ensemble collecteur et acheminer le cordon électrique à trois broches entre le côté gauche de la paroi extérieure et la paroi intérieure.

Attention: L'acheminement du cordon électrique est très important. Le cordon électrique doit être localiser adéquatement pour éviter le surchauffage. Des dommages au cordon électrique peuvent survenir si le cheminement est inadéquat.

8. Replacer la paroi extérieure à la surface murale.
9. Attacher la paroi extérieure au collecteur. Attention: Le trou du milieu ne servira pas. Les deux trous libres extérieurs seront utilisés pour attacher la paroi extérieure au collecteur, (1) vis de l'Étape 4 et (1) vis du paquet de quincaillerie. Référez-vous à la Figure 1.

Figure 1



10. Attacher la paroi extérieure à la paroi intérieure en utilisant les (2) vis de l'Étape 4.
11. Aligner les encoches de repérage sur l'arrière du châssis de la soufflerie avec les (2) vis qui sont attachées au mur. Placer le châssis de la soufflerie à fleur avec la surface murale et sur le dessus de la paroi extérieure. Visser complètement les vis du châssis de la soufflerie

au mur. Ce sont les vis de l'Étape 3.

12. Placer les bouchons du châssis et de l'avant de la soufflerie.
 13. Attacher l'avant de la soufflerie au châssis de la soufflerie en utilisant les quatre (4) vis 8 x 3/8" de l'Étape 6.
 14. L'installation de la soufflerie facultative est complétée.
- Attention: Lorsque vous installez le châssis de la soufflerie sur le mur, faites attention de ne pas endommager le serpentin du moteur.

Installation de la soufflerie avec l'Installation Électrique Permanente.

1. En faisant face à l'ouverture murale, installer la boîte de jonction pour la prise de courant de 120 volt à l'intérieur de l'ouverture murale sur le montant gauche approximativement 12" (312mm) au dessus de la plaque collectrice.
2. Référez-vous au dessin pour les mesures qui vous permettront de localiser sur le mur, le trou d'accès pour les fils électriques.
3. Après avoir localiser le trou d'accès, percez un trou de 1/2" (13mm) dans le mur.
4. Acheminer assez de fil électrique de la boîte de jonction pour la prise de courant de 120 volt et à travers le trou d'accès dans le mur pour brancher le châssis de la soufflerie.
5. Installer la fournaise selon les Instructions pour l'Installation et Manuel du Propriétaire.
6. Référez-vous au dessin pour les mesures qui vous permettront de localiser (2) trous de montage sur le mur au-dessus de la fournaise.

Sur un Mur Solide

7. Après avoir localiser les trous de montage, attacher (2) vis 10 x 1 1/2" (38mm) dans le mur. Les vis sont fournies dans l'ensemble de la soufflerie. Ne vissez pas complètement les vis au mur, laisser un espace de 7/16" entre la tête de la vis et le mur.

Sur un Mur en Placoplâtre

7. Après avoir localiser les trous de montage, percer (2) trous de 5/16" de diamètre dans le mur. Insérer les (2) ancrages d'expansion en plastique dans les trous. Insérer les (2) vis 10 x 1 1/2" dans les ancrages d'expansion en plastique. Les vis sont fournies dans l'ensemble de la soufflerie. Ne vissez pas complètement les vis dans les ancrages d'expansion en plastique, laisser un espace de 7/16" entre la tête de la vis et l'ancrage d'expansion en plastique. Référez-vous à la Figure 2.

8. Du châssis de la soufflerie, enlever le cordon électrique à trois broches.
9. Enlever les (4) vis 8 x 3/8" qui attachent l'avant de la soufflerie au châssis de la soufflerie.
10. Placer le châssis de la soufflerie sur le dessus du collecteur.
11. Acheminer le fil électrique de 120 volt dans le châssis de la soufflerie en passant à travers le trou pour le cordon électrique situé à l'arrière du châssis de la soufflerie.
12. Référez-vous au diagramme électrique pour faire les connexions des fils électriques à l'intérieur du châssis de la soufflerie. Soyez certain de suivre tous les codes électriques locaux et nationaux lorsque vous faites les connexions des fils électriques.
13. Aligner les encoches de repérage sur l'arrière du châssis de la soufflerie avec les (2) vis qui sont attachées au mur. Placer le châssis de la soufflerie à fleur avec la surface murale et sur le dessus de la paroi extérieure. Visser complètement les vis du châssis de la soufflerie au mur. Ce sont les vis de l'Étape 7.
14. Placer les bouchons du châssis et de l'avant de la soufflerie.
15. Attacher l'avant de la soufflerie au châssis de la soufflerie en utilisant les quatre (4) vis 8 x 3/8" de l'Étape 9.
16. L'installation de la soufflerie facultative est complétée.

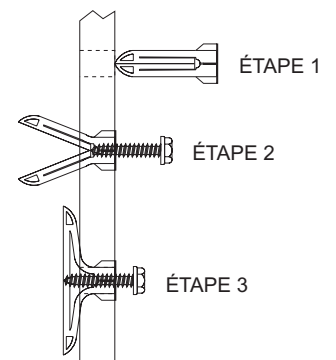


Figure 2

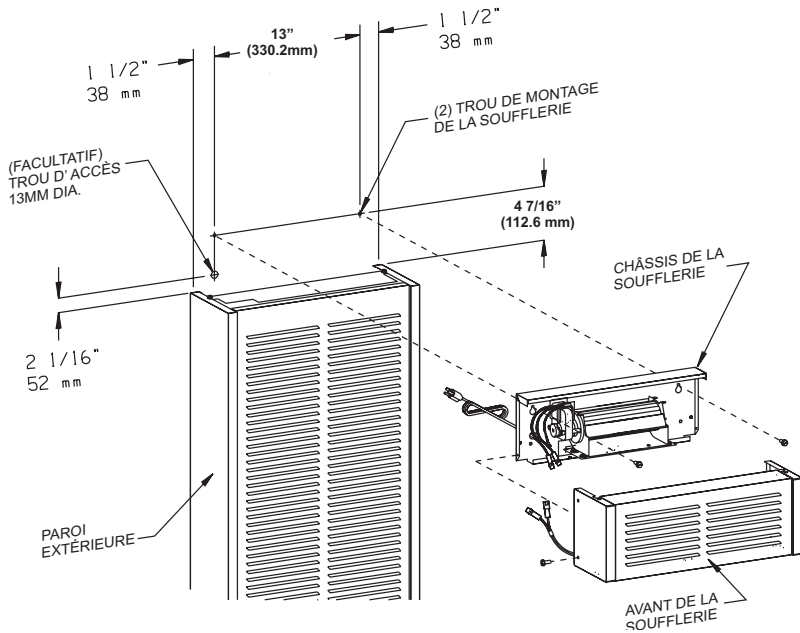
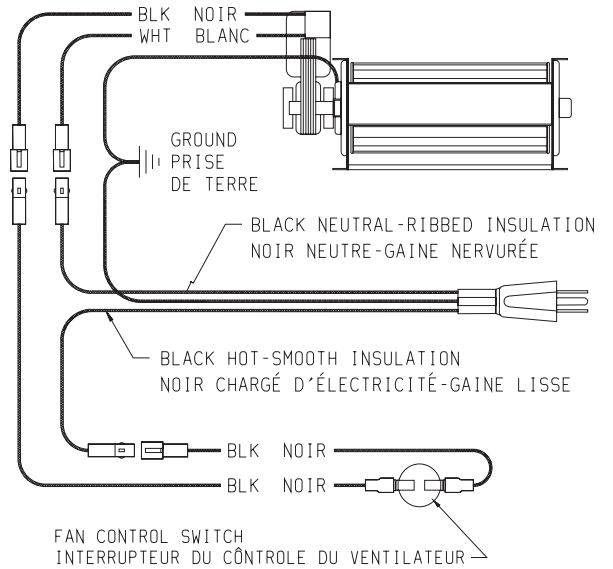


Figure 3

GWTB2W DIAGRAMME DE L'INSTALLATION ÉLECTRIQUE



Commande du Ventilateur

La commande automatique du ventilateur est située au bas de la soufflerie. La commande du ventilateur n'est pas réglable, type automatique. La commande du ventilateur exige que le brûleur fonctionne entre 3 et 7 minutes, avant que la commande du ventilateur "ferme" et active la soufflerie. La soufflerie continuera de fonctionner entre 3 et 7 minutes après que le brûleur principal s'arrêtera, et avant que la commande du ventilateur "s'ouvre" et désactive la soufflerie.

Installation des Fils Électriques

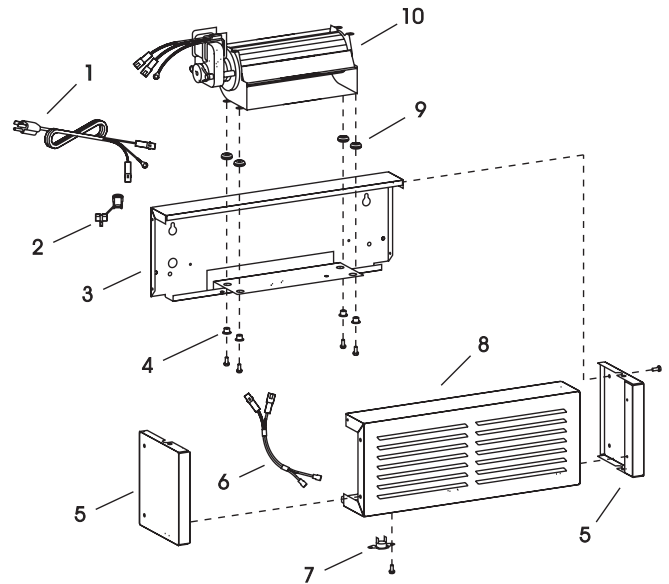
Si vous utilisez une source électrique extérieure, l'appareil, lorsqu'il est installé, doit avoir une prise de terre conforme avec les codes locaux ou dans l'absence de codes locaux, avec le National Electrical Code, ANSI/NFPA70 ou Canadian Electrical Code, CSA C22.1. Pour votre protection contre les dangers de chocs, cet appareil est muni d'une fiche à trois broches (prise de terre) qui doit être branchée directement dans une prise de courant femelle qui a été convenablement mise à terre. Ne pas couper ou enlever la broche de mise à terre de cette fiche. Pour une prise de courant femelle qui n'a pas de mise à terre, un adaptateur qui a deux broches et un fil de mise à terre peut être acheté et branché dans la prise de courant femelle qui n'a pas de mise à terre et le fil doit être attaché à la vis du support de la prise de courant. Avec ce fil complétant la mise à terre, la fiche de l'appareil peut être branchée dans l'adaptateur.

AVERTISSEMENT
Débrancher l'accessoire de la soufflerie n'arrêtera pas le cycle de la fournaise. Pour fermer la fournaise: Tourner le cadran de température ou le thermostat à son plus bas réglage. Tourner le bouton de commande de gaz à "FERMÉ", relâcher légèrement. Ne pas forcer.

AVERTISSEMENT: Lors de l'entretien des commandes, tous les fils doivent être identifiés avant de les débrancher. Une erreur de filetage peut entraîner un mauvais et dangereux fonctionnement. Vérifier que le fonctionnement soit convenable après l'entretien.

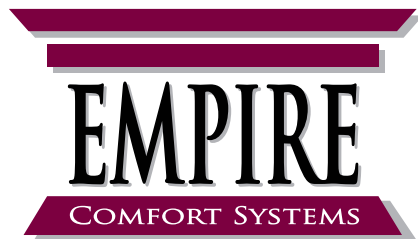
Huiler

Le moteur de la soufflerie n'a pas de trou pour l'huile. N'essayez pas d'huiler le moteur de la soufflerie.



Liste des Pièces

Numéro d'index	Numéro de la pièce	Description
1	R-2204	Cordon électrique
2	R1468	Manchon de tension
3	36334	Assemblage du châssis de la soufflerie
4	R1454	Bague en laiton (exige 4)
5	36338	Côté du châssis de la soufflerie (exige 2)
6	R-3085	Assemblage des fils
7	R-2503	Interrupteur du ventilateur
8	36337	Devant du châssis de la soufflerie
9	R1499	Anneau de caoutchouc (exige 4)
10	R-2804	Moteur de la soufflerie



SINCE 1932

Empire Comfort Systems Inc.
Belleville, IL

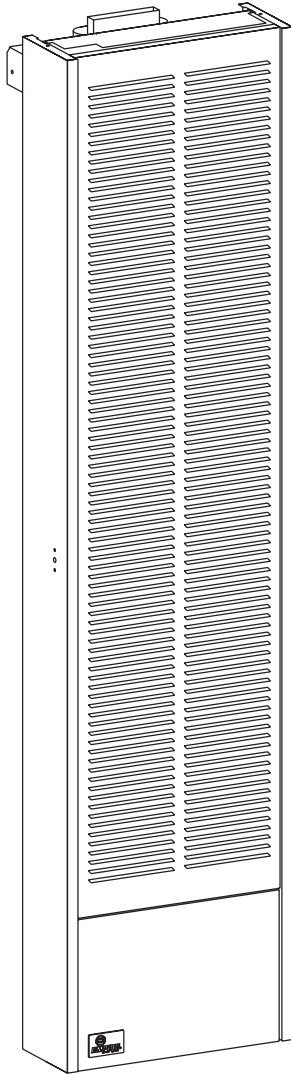
Pour toute question générale concernant nos produits, veuillez nous envoyer un courriel à info@empirecomfort.com.

Pour toute question d'entretien ou de réparation, veuillez contacter votre revendeur.

www.empirecomfort.com



INSTRUCCIONES DE INSTALACION Y MANUAL DEL PROPIETARIO



CALENTADOR DE PARED CON VENTILACION POR GRAVEDAD MODELOS GWT-25W-2 GWT-35W-2



Instalador: Dele estas instrucciones al cliente.
Cliente: Mantenga estas instrucciones como referencia un futuro.

ADVERTENCIA: Si no se instala, opera o no se mantiene según instrucciones del fabricante, este producto podría exponerlo a las sustancias en combustión o de combustión que pueden ocasionar muerte o enfermedad seria.

ADVERTENCIA: Al no seguir la información de este manual correctamente, existe el peligro de incendio o explosión, ocasionando daños o pérdidas individuales o de bienes materiales.

— No almacene ni utilice gasolina o cualquier otro líquido o combustible en la proximidad de este o cualquier otro aparato.

— **QUÉ HACER SI HUELE A GAS**

- No encienda ningún aparato.
- No encienda ningún interruptor eléctrico; no utilice ningún teléfono en el edificio.
- Desde el teléfono de un vecino llame inmediatamente a su suministrador de gas y siga sus instrucciones.
- En caso de no poder comunicarse con su suministrador de gas, llame al Departamento de Bomberos.

— La instalación y el servicio deberán ser desempeñados por una persona capacitada, agencia de servicio o el suministrador de gas.

TABLA DE CONTENIDO

SECCIÓN	PÁGINA
Importante Información de Seguridad	3
Información de Seguridad para Usuarios de Gas Propano (LP)	4
Introducción	5
Especificaciones	5
Configuración Recomendada para Ventilación	6
Abastecimiento de Gas	7
Espacios Libres	8
Ventilación y Aire para Combustión	8
Ubicación - Todo Modelo	8
Instrucciones de Bosquejo	8-9
Instrucciones de Acabado	9-10
Instalación del Dispositivo de Encendido y Apagado	11
Instrucciones de Encendido	12
Sistema de Apago del Dispositivo de Seguridad del Respiradero	13
Flama Correcta del Quemador Principal	13
Flama Correcta del Piloto	13
Información de Reparación para Personas Calificadas de Servicio	14
Lista de Partes	15
Como Pedir Partes de Repuesto	15
Vista de Partes	16
Notas de Servicio Técnico	17
Ventilador Opcional Instrucciones de Instalación	18-19

IMPORTANTE INFORMACIÓN DE SEGURIDAD

ESTE ES UN APARATO DE CALEFACCIÓN
NO OPERE ESTE APARATO SIN EL PANEL FRONTAL INSTALADO.

- Debido a las altas temperaturas, el aparato debe ubicarse en áreas que no son transitables y también lejos de muebles y cortinas.
- A niños y adultos se les debe advertir de los peligros de las temperaturas altas en la superficie del aparato y de mantener distancia para evitar quemaduras o ignición de la ropa.
- Niños menores de edad deberán ser cuidadosamente supervisados al estar en la misma habitación que el aparato.
- Ropa u otros materiales inflamables no deben colocarse encima o cerca de este aparato.
- Cualquier pantalla de seguridad o panel que se substituya para su servicio debe reemplazarse antes de operar de nuevo este aparato.
- Mantenga el compartimiento de control y quemador limpios.
- La instalación y reparación la debe hacer un TECNICO CALIFICADO. El aparato debe revisarse antes de usarse y por lo menos anualmente, por una persona de servicio profesional. Puede requerirse una limpieza más frecuente debido a excesivas pelusas de alfombra, ropa de cama, etc. Es muy importante mantener limpios los compartimientos de control, los quemadores y los pasajes para la circulación del aire.
- NO coloque nada alrededor del calentador que pueda obstruir el flujo de combustión y de respiración de aire.
- MANTENGA el área de este aparato limpia y libre de material de combustión, gasolina o de otros vapores o líquidos inflamables.
- EXAMINE el sistema de respiración periódicamente y substituya las partes dañadas.
- HAGA inspecciones visuales periódicas del piloto y los quemadores. Limpie y reemplace cualquier parte dañada.
- No use este calentador de habitación si alguna parte ha estado bajo agua. Inmediatamente llame a un técnico de servicio capacitado para que revise el calentador y para reemplazar cualquier parte del sistema de control y cualquier control de gas que haya estado bajo agua.
- Este aparato de calefacción no debe conectarse a un cañon de chimenea que ya se esta usando para otro aparato calefactor que usa combustible sólido.

INFORMACIÓN DE SEGURIDAD PARA USUARIOS DE GAS PROPANO (LP)

Gas propano (LP-GAS) es un gas inflamable el cual puede causar fuegos y explosiones. En su estado natural, el propano (LP) no tiene olor ni color. Ud necesita saber todas las siguientes precauciones las cuales lo pueden protegerlo junto con su familia en caso de accidente. Léalas cuidadosamente ahora, luego revíselas de nuevo punto por punto

con los miembros de su casa. Algún día cuando no tenga un minuto que perder, la seguridad de todos dependerá de exactamente que hacer. Si después de leer la siguiente información, siente que necesita más información, por favor, contacte a su suplidor de gas.

PRECAUCION CON EL OLOR DEL PROPANO (LP-GAS)

Si ocurriera una fuga de gas, Ud puede olerla ya que al gas propano se le pone un olor a perfume.

¡Esta es su señal para tomar acción inmediata!

- No opere tomacorrientes eléctricos, no encienda fósforos, no use el teléfono. No haga nada que pueda encender el gas.
- Saque a todas las personas afuera del edificio, vehículo, trailer o área. Haga esto INMEDIATAMENTE.
- Cierre todas las válvulas del tanque de gas o suplidor del cilindro.
- El gas propano es más pesado que el aire y se puede estacionar o quedar suspendido en áreas inferiores como en sótanos. Cuando Ud sospeche que exista fuga de gas, manténgase lejos de sótanos u otras áreas inferiores. Quédese afuera hasta que los bomberos las hayan declarado fuera de peligro.
- Use el teléfono de su vecino y llame a un reparador entrenado o al departamento de incendios. Aún cuando Ud deje de oler gas no abra de nuevo el gas. No entre al edificio, al vehículo, trailer o al área.
- Finalmente, deje que el reparador y los bomberos verifiquen la fuga de gas. Dígale a ellos que airen el área antes de regresar. Reparadores entrenados deben reparar la fuga, luego deben verificar y encenderle su aparato de gas.

EL OLOR NO SE DECTECTA - EL OLOR DESAPARECE

Alguna gente no puede oler bien. Alguna gente no puede oler el aroma a hediondez química que se le pone al gas. Ud debe averiguar si puede oler el aroma a gas propano (LP). El fumar puede afectar su habilidad para oler bien. Estar alrededor del aroma por un tiempo puede afectarle su sensibilidad en detectar este aroma. Algunas veces otros aromas en el área detiene el aroma a gas. La gente puede no oler el aroma a gas o sus mentes están en alguna otra cosa. El pensar en oler aroma a gas puede facilitar el oler.

El aroma en el gas propano (LP-GAS) no tiene color y puede desaparecer en algunas circunstancias. Por ejemplo, si existiera una fuga bajo tierra, el movimiento del gas a través de la tierra puede filtrar el aroma. Aromas en el gas propano son también

sujetos a oxidación. Esta desaparición puede ocurrir en caso de que existiera herrumbre adentro del tanque de depósito o en la tubería de gas.

El aroma en gas disipado puede absorberse en las paredes, pisos u otros materiales o telas en cuartos. Estos puede sacar el aroma del gas, lo que reduciría la intensidad del olor.

El gas LP puede estratificarse (conservarse) en una área cerrada, y la intensidad de su aroma puede variar a diferentes niveles. Como es más pesado que el aire, pueden existir aromas a niveles inferiores. Manténgase bien sensible al menor aroma de gas. Si detecta cualquier olor, trátelo como una fuga de gas. Inmediatamente tome acción apropiada como se le ha indicado en el párrafo anterior.

PUNTOS PARA RECORDAR

- Aprenda a reconocer el olor a gas propano (LP). Su vendedor local de gas puede darle a Ud un panfleto de "Rascar y Oler". Uselo para averiguar como es que huele el gas propano. Si Ud sospecha que su aparato tiene un olor a propano débil o anormal, llame a su vendedor local de gas.
- Si Ud no está calificado, no encienda la llama del piloto, no le dé servicio y no ajuste ningún aparato en el sistema de gas LP. Si Ud está calificado, consientemente piense en el aroma u olor antes y durante el encendido de la llama del piloto o cuando le dé servicio o ajuste los aparatos del calentador.
- Algunas veces el sótano o una casa que ha permanecido cerrada tienen olor a humedad que puede bloquear el olor a gas LP. No trate de encender la llama del piloto, o de darle servicio al aparato, o de ajustar aparatos alrededor donde las condiciones son tales que Ud no pueda detectar el olor en caso que haya habido una fuga de gas LP.
- Olor puede disiparse, por oxidación de herrumbre o absorberse en paredes de cilindros o tanques nuevos. Por consiguiente, las personas deben de estar bien alertas y cuidadosas cuando los cilindros y tanques se pongan en servicio. La disipación del olor puede ocurrir en tanques nuevos o en tanques viejos recién instalados, si fueran llenados y se dejan estacionados demasiado tiempo antes que se rellenen. Cilindros y tanques que hayan estado fuera de servicio por algún tiempo pueden desarrollar herrumbre interna lo que puede causar disipación del olor. Si se sospecha que exista esta condición, olfatear periódicamente es recomendable. Si tiene cualquier pregunta acerca del olor de gas, llame a su vendedor de gas LP. Un olfateo periódico es una buena medida de seguridad en estas condiciones.
- Si, en cualquier momento Ud no huele el aroma del gas LP, y Ud cree que debería olerlo, asuma que tiene una fuga de gas. Luego tome la acción inmediata que se le recomienda en el párrafo anterior cuando sí se detecta el aroma a gas LP.
- Si Ud experimenta un "desgase" (el contenedor no está en vapor de presión), cierre la válvula del contenedor inmediatamente. Si la válvula del contenedor se ha dejado abierta, el contenedor puede haber chupado aire a través de aberturas como el orificio de la llama del piloto. Si esto ocurriera, herrumbre interno ha ocurrido. Si la válvula se ha dejado abierta, asuma que el tanque esté como nuevo. Siempre asegúrese que su contenedor esté sometido a presión de vapor, cerrándolo en la válvula del contenedor antes de que se vacie completamente o rellénelo antes de que esté completamente vacío.

INTRODUCCIÓN

Calentadores ventilados de pared son enviados listos para instalarse en travesaños de paredes de 2" x 4" (51mm x 102mm) a 16" (406mm) de distancia entre centro y centro. Siempre consulte a su Departamento de Construcción local acerca de reglamentos, códigos o ordenanzas que se apliquen en la instalación de calentadores ventilados de pared.

Instrucciones al Instalador

1. El instalador debe dejar el manual de instrucciones con el propietario después de la instalación.
2. El instalador debe ver que el propietario llene la tarjeta de garantía que se incluye con el calentador y la mande por correo.
3. El instalador debe mostrarle al propietario como encender y operar el calentador de sala.

Advertencia:

Cualquier cambio a este calentador o sus controles puede ser peligroso. Este es un aparato de calefacción y cualquier pantalla, puerta o reja que se cambie debe ser reemplazada antes de operar el aparato.

Para conservar gas: Apagar el piloto cuando el calentón no se ocupe.

Información General

El diseño de este aparato está de acuerdo a las normas del American National Standard / CSA Standard Z21.86 y CSA 2.32 es certificado por Canadian Standards Association, como un calentador sin emisión de sala y tiene que ser instalado de acuerdo con estas instrucciones.

Cualquier alteración del diseño original, otra instalación que difiera de la que se muestra en este instructivo o uso de otro tipo de gas que no se mencione en la placa de características, es responsabilidad de la persona o compañía que haga el cambio.

Importante

Toda correspondencia deberá referirse al número completo del modelo, número de serie y tipo de gas.

Aviso: Durante el encendido inicial de esta unidad, la pintura se

horneará, y humo aparecerá. Para prevenir que se active la alarma de humo, ventile el cuarto donde se usará este aparato.

Instalación en Garages Residenciales

Cualquier aparato que utilice gas en garages residenciales puede ser instalado siempre y cuando todos los quemadores y sus aparatos de encendido sean ubicados a 18 pulgadas (457mm) del piso.

Dicho aparato debe ser ubicado, o protegido contra daño físico producido por un vehículo en movimiento.

Agencia Calificada de Instalación

Instalación y reemplazo de tubería de gas, equipo para la utilización de gas o accesorios, y reparación o mantenimiento de equipo debe hacerse únicamente por una agencia calificada. El término "agencia calificada" significa cualquier individuo, firma, corporación, o compañía la cual en persona o a través de un representante se encargue o sea responsable por (a) la instalación, inspección, o reemplazo de tubería de gas por (b) la conexión, instalación, inspección, reparación, o servicio del equipo, el cual tiene experiencia en este tipo de trabajo y tiene conocimiento de todas las precauciones requeridas, y ha cumplido con todos los requerimientos de las autoridades con jurisdicción en el caso.

Esta instalación debe concordar con códigos locales. En ausencia de códigos locales, la instalación debe concordar con la *National Fuel Gas Code ANSI Z223.1/NFPA 54* Natural Gas and Propane Installation Code, CSA B149.1.*

**Publicada por la American National Standards Institute, Inc., 11 West 42nd St., New York, N.Y. 10036.*

Alturas Elevadas

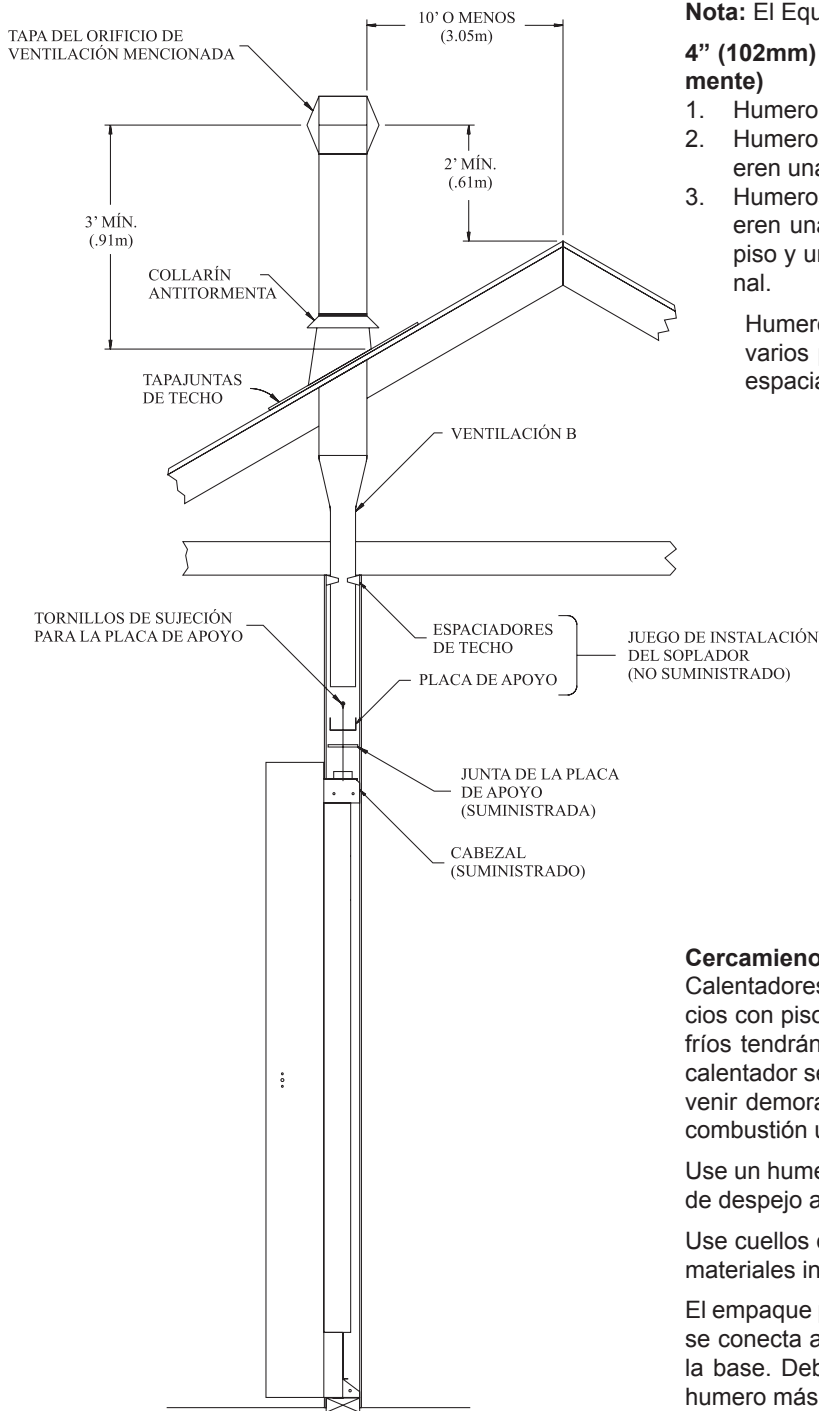
Cuando las altitudes sean más de 2.000 pies (610m), la capacidad de entrada debe reducirse 4% por cada 1.000 pies (305m) de altura sobre el nivel del mar. Alturas elevadas en Canada para ubicaciones teniendo una elevación arriba mencionadas significan niveles de mar entre 2.000 pies (610m) y 4.500 (1370m), la presión de entrada debe bajarse de 4.0" w.c. (.996kPa) a 3.2" w.c. (.797kPa) para gas natural y de 10.0" w.c. (2.49kPa) a 8.0" w.c. (1.99kPa) para gas propano.

ESPECIFICACIONES

Modelo	GWT-25	GWT-35
Consumo BTU/HR (KW/H)	25,000 (7.3)	35,000 (10.3)
Altura	66 1/8" (1679mm)	66 1/8" (1679mm)
Ancho	16" (406mm)	16" (406mm)
Profundidad	6" (152mm)	6" (152mm)
Entrada de Gas	1/2"	1/2"
Anillo de Ventilación Tipo B Ovaldo	4" (102mm)	4" (102mm)
Accesorios		
Conjunto Ventilador	GWTB2W	GWTB2W
Conjunto Registro Trasero	GWTR1W	GWTR1W
Conjunto Fuera de Pared	GWTW2W	GWTW2W

Atención: Cuando se use el conjunto fuera de Pared, GWTW-2, el Conjunto Registro Trasero, GWTR-1, no se puede usar.

CONFIGURACIÓN RECOMENDADA PARA VENTILACIÓN

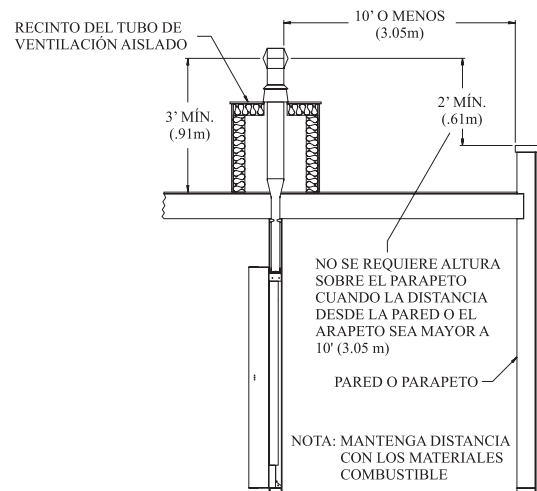


Nota: El Equipo de ventilación no se supe con este aparato.

4" (102mm) Ovalado (todas estas partes se pueden comprar localmente)

1. Humero ovalado Tipo B-1.
2. Humeros de gas Tipo B-1 para habitaciones de un sólo piso requieren una base y un par de espaciadores de cieloraso.
3. Humeros de gas Tipo B-1 para habitaciones de varios pisos requieren una base, un par de espaciadores en el cieloraso del primer piso y un par de espaciadores contra incendios en cada piso adicional.

Humeros de gas Tipo B-W se usan en instalaciones de uno o varios pisos. Estos humeros deben de usarse con la dada base, espaciador de cieloraso y espaciador contra incendios.



Cercamienos Aislados para Humeros

Calentadores de pared con ventilación por gravedad instalados en edificios con pisos lisos pueden tener ventilación inadecuada. Los humeros fríos tendrán un demora a la hora de ventilar y pueden causar que el calentador se apague por medio del dispositivo de seguridad. Para prevenir demoras en ventilación así como condensación de productos de combustión un cercamiento aislado es recomendado.

Use un humero Tipo B-1 y mantenga por lo menos una pulgada (25mm) de despejo a los materiales inflamables.

Use cuellos de metal para proteger el humero cuando pase a través de materiales inflamables.

El empaque para la base se instala en el cabecero en la fábrica. La base se conecta al cabecero con dos tornillos. Humeros tipo B se presan a la base. Debe de existir un mínimo de seis pies de altura (1.82m) de humero más arriba del cabecero.

Espacio de travesaño alrededor del tubo de ventilación debe ser libre de obstrucciones y de papeles de edificios.

Tubos metálicos de pared singular sin aislamiento no deben de usarse en las afueras durante climas fríos para equipos de uso de ventilación de gas.

Atención: El quemador principal usa aire de la alcoba para combustión. Cuando la mezcla de gas y aire es obtenida hacia el quemador, existe también el caudal de partículas de polvo e hilazas hacia el quemador.

La acumulación de hilazas adentro del quemador causa una flama amarilla y un posible tiznado adentro de la cámara de combustión y el humero. Para limpiar el quemador vea la Página 13, "Flama Correcta del Quemador."

ABASTECIMIENTO DE GAS

Consulte todos los requerimientos de códigos locales, especialmente el tamaño y tipo de la línea de suministro de gas requeridos.

Diámetro Recomendado de Tubería

Longitud de Tubería (Pies)	Tubería Diámetro Interno		Tubo, Tipo L Diámetro Externo	
	Nat.	L.P.	Nat.	L.P.
0-10 0-3 meters	1/2"	3/8"	1/2"	3/8"
	12.7 mm	9.5 mm	12.7 mm	9.5 mm
10-40 4-12 meters	1/2"	1/2"	5/8"	1/2"
	12.7 mm	12.7 mm	15.9 mm	12.7 mm
40-100 13-30 meters	1/2"	1/2"	3/4"	1/2"
	12.7 mm	12.7 mm	19 mm	12.7 mm
100-150 31-46 meters	3/4"	1/2"	7/8"	3/4"
	19 mm	12.7 mm	22.2 mm	19 mm

Nota: Nunca use tubería de plástico. Pruebe para confirmar si los códigos locales le permiten usar tubo galvanizado o de cobre.

Nota: Como algunas municipalidades tienen códigos locales adicionales, siempre es mejor consultar los códigos y autoridades locales.

Instalando una Nueva Llave para Válvula

Cada aparato debe tener su propia llave manual de gas.

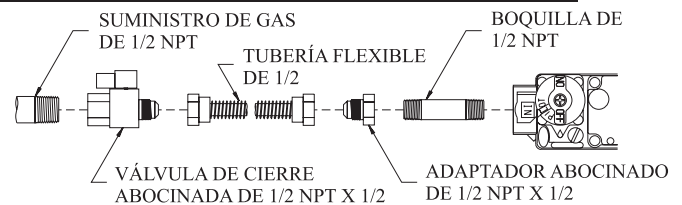
La llave manual de gas debe ir localizada en la proximidad del aparato. Cuando no exista esta llave o donde su tamaño o ubicación no se adecuada, contacte el instalador local autorizado para su instalación o reubicación.

Componentes usados en juntas de rosca para tubería de gas deben ser resistentes a la acción de gas licuado de petróleo derivados del petróleo. Las líneas de gas deben ser inspeccionadas por fugas por el instalador. Esto debe ser hecho con una solución de jabón mirando por posibles burbujas en todas las conexiones expuestas y, si las conexiones no están expuestas, una prueba de presión de gas debe hacerse.

Nunca use una llama expuesta para inspeccionar fugas. El aparato debe desconectarse de la tubería a la salida de la válvula, y sellarse cuando se pruebe la presión de gas. ¡Nunca pruebe la presión de gas estando el calentador conectado; la válvula se dañará!

Una unión para válvula de gas y para la conexión de tierra deben de instalarse en la línea de gas contracorriente de la válvula para ayudar durante su servicio. Se requiere según el National Fuel Gas Code que una línea de gotera sea instalada cerca de la salida de gas. Esta debe consistir en una tubería vertical 'T' conectada a la línea de gas que se selle en el fondo en donde pueda acumularse condensación o partículas foráneas.

CONEXIÓN FLEXIBLE DE LA LÍNEA DE GAS



CONEXIÓN RÍGIDA DE LA LÍNEA DE GAS

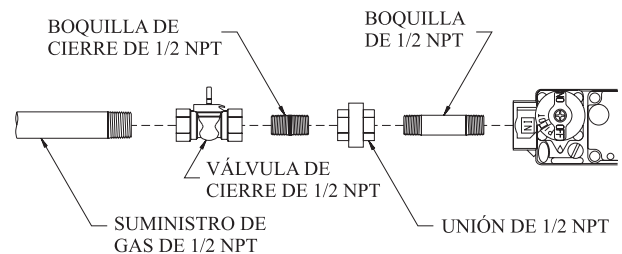


Figura 1

Se recomienda el uso de una de las siguientes normas de gas:

- ANS Z21.24 Conectores de Aparato de Tubería y Accesorios de Metal Corrugado
- ANS Z21.45 Conectores de Aparatos de Ensamblaje Flexible de Construcción otra que de Todo-Metal.

Las normas arriba citadas se pueden usar siempre que sean aceptadas por la autoridad que tiene jurisdicción sobre estas.

Probando la Presión en el Sistema de Gas

1. Para inspeccionar la presión de entrada de la válvula de gas, un tapón sellado, de 1/8" (3mm) N.P.T. accesible para la conexión del manómetro, debe de colocarse inmediatamente sobre corriente a la conexión del suministro de gas del aparato.
2. Este aparato con su válvula deben desconectarse del sistema de tubería de suministro de gas durante la prueba de presión del sistema si esta presión excede 1/2 psig (3.5 kPa).
3. El aparato debe aislarse del sistema de tubería de suministro de gas cerrando la válvula manual durante cualquier prueba de presión si ésta presión es igual o menos que 1/2 psig (3.5 kPa).

Atención! Si alguno de los procedimientos anteriores resulta en un exceso de presión de 1/2" psig (14" w.c.) (3.5 kPa) en la válvula del aparato, esto causará condiciones de peligro.

Inspección de la Presión de Consumo

Tanto las válvulas de gas Propano como Natural traen un regulador de presión el cual tiene un ajuste sellado. Modelos para gas natural tienen una presión de consumo de aproximadamente 3.5" w.c. (.871kPa) a la salida de la válvula con una presión de entrada de la válvula de un mínimo de 4.5" w.c. (1.120kPa) con el propósito de ajuste de entrada a un máximo de 10.5" w.c. (2.614kPa). Modelos para gas Propano tienen una presión de consumo de aproximadamente 10.0" w.c. (2.49kPa) a la entrada de la válvula, con una presión de entrada a la válvula de un mínimo de 11.0" w.c. (2.739kPa) con el propósito de ajuste de entrada a un máximo de 13.0" w.c. (3.237kPa).

Un tapón de 1/8" (3mm) N.P.T. accesible para el manómetro de presión de gas está localizado al lado, a la salida de la válvula de gas.

ESPACIOS LIBRES

1. Cuando se seleccione la ubicación del aparato, es necesario condicionarlo con espacios adecuados accesibles para su servicio e instalación.
2. Espacios mínimos a superficies combustibles son 4" (102mm) a los lados, 12" (305mm) de la cima, y 1-1/2" (38mm) del piso.

NOTA: La distancia mínima de 1-1/2" (38mm) debe de medirse sobre la cima de la alfombra, azulejo, etc.

VENTILACIÓN Y AIRE PARA COMBUSTIÓN

Calentadores de pared tienen que instalarse en una ubicación que permita suficiente aeración para la combustión del gas y ventilación apropiada en condiciones normales. En edificios de construcción de armazón convencional, ladrillo, o de piedra sin ventanas de sobredrillada apretadas, la infiltración es normalmente adecuada para aire de combustión y para la dilución a través de la cubierta de chiflón.

Cuando estos aparatos son instalados en un espacio confinado pequeño dentro de un edificio, el edificio como es de construcción hermética inusual, aire para la combustión y ventilación debe obtenerse directamente de afuera o de espacios que se comuniquen libremente con afuera. En estas condiciones, el espacio confinado pequeño tiene que tener dos aberturas permanentes, una de ellas cerca de la cima del encerramiento y la otra cerca del fondo; cada abertura tiene que tener una área libre de no menos de una pulgada cuadrada (6.45cm²) por 2,000 BTU (.6KW/H) hora del consumo total.

UBICACIÓN - TODO MODELO

Seleccione una ubicación cerca del centro del espacio a calentar. Calor de sobre flujo circulará a través de puertas hacia cuartos contiguos.

Para casas grandes o casas con planos amplios, dos o más calentadores son recomendados. No ubique este calentador en la cercanía de una puerta giratoria o donde la circulación pueda retardarse por tener muebles.

No instale este aparato en armarios, gabinetes o en vestíbulos pequeños donde éste pueda estar aislado cuando se cierren puertas que den el espacio a calentarse.

Cuando se seleccione su ubicación, asegúrese que no existan obstáculos en las paredes, el desván y el techo como tubos, cables eléctricos, etc.; los cuales puedan interferir con la instalación del calentador o el tubo respiradero.

NOTA: Si el Conjunto Registro Trasero se usara, consulte las instrucciones en éste, para la ubicación del hueco o receso en la pared trasera. La salida del registro debe cortarse en la pared antes de instalar el calentador.

NOTA: Si el Conjunto Ventilador se usara, el cableaje debe completarse para éste, antes de la instalación del cabecero.

INSTRUCCIONES DE BOSQUEJO

Provera una abertura en la pared de 14-1/2" (368mm) de ancho por 66-1/8" (168cm) de altura, medidas desde encima de la viga horizontal (Ver Figura 2 y Figura 3). La profundidad mínima debe ser 2" x 4" de armazón con 1/4" (6.5mm) a 5/8" (16mm) de panel. Ate la placa de base (no suministrado) al cabecero con tornillos para lámina de metal a cada extremo. Una la cañería de ventilación de pared doble de 4" (102mm) a la placa de base. Conecte suficiente cañería de ventilación para que una vez instalada en la abertura de la pared, la cañería de ventilación se extienda sobre el platillo del techo por lo menos 6" (152mm). Instale los separadores de techo de acuerdo a las instrucciones del fabricante. Inserte

la placa cabezal con la cañería de ventilación ovalada de 4" y de doble pared en la abertura de la pared. Coloque la placa cabezal a la altura que se ilustra en la Figura 2. Ubique la orilla trasera del reborde atrás del travesaño de 2 x 4 (51mm x 102mm), el cual centrará el respiradero la pared. Posicione el borde angular de la placa cabezal nivelado con la parte superior de la abertura de la pared. Clave la placa cabezal al entramado de la pared.

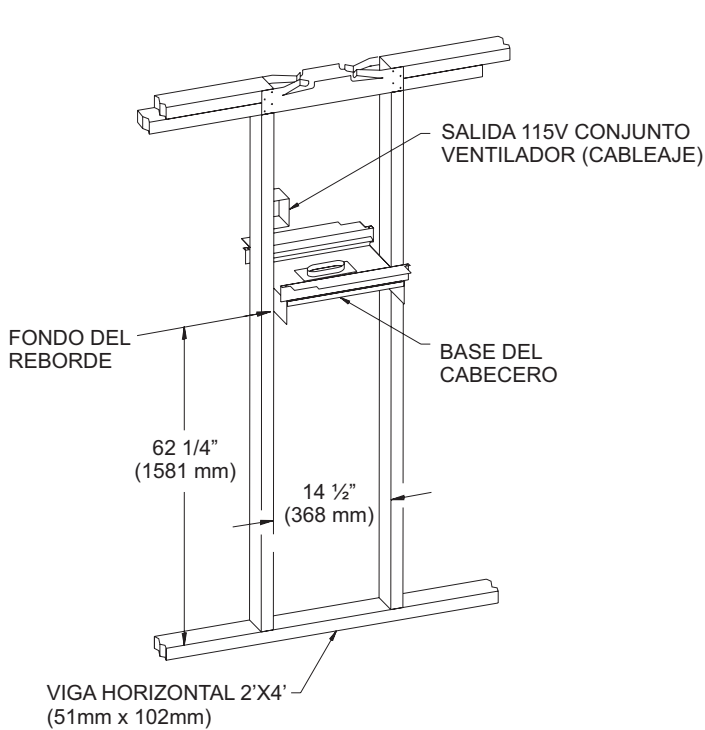


Figure 2

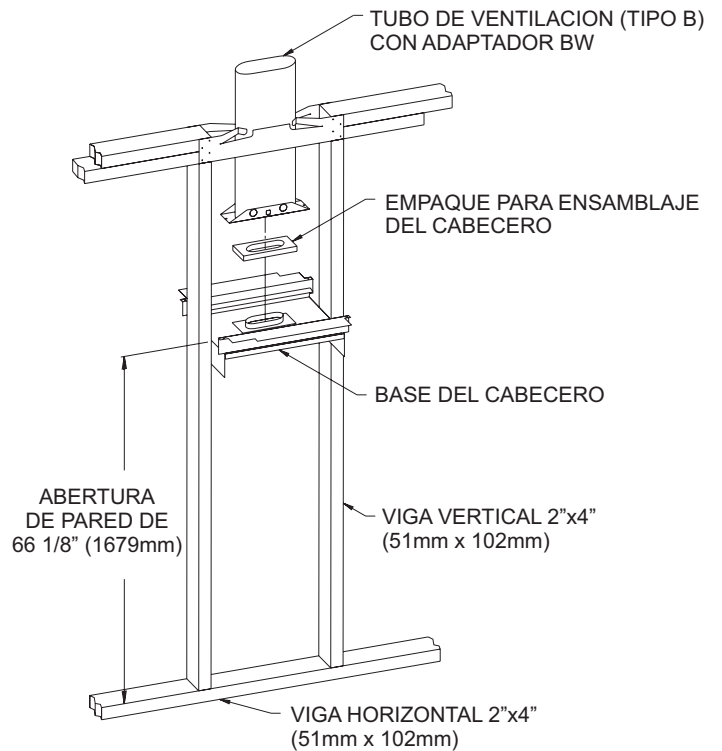


Figure 3

INSTRUCCIONES DE ACABADO

Enyesado (Figura 4)

En construcciones nuevas, use únicamente láminas de yeso sólido (no perforado) alrededor del calentador y la tubería de ventilación para que el exceso de yeso no se proyecte en el espacio adentro de la pared.

Use tiras de madera clavadas en el interior de los travesaños y encima de la viga horizontal. Estas se tienen que quitar antes de la instalación del calentador. Listone y enyese contra la proyección de arriba del cabecero.

Procure que el material de acabado no se proyecte adentro del receso del calentador.

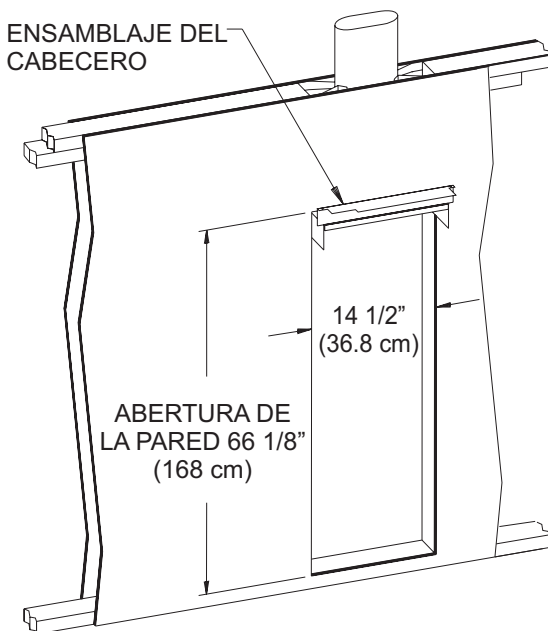


Figure 4

Instalando el Calentador (Figura 5)

Limpie todos los desechos de la cavidad en la pared y remueva todo residuo de yeso y madera. Pare el calentador en el piso frente a la abertura de la pared.

Encaje el humedero en la abertura rectangular de la placa cabeczal y levante el calentador con mucho cuidado (ver Figura 5). Oscile la parte inferior del calentador hacia la abertura de la pared con las patas traseras niveladas con la viga horizontal del piso. Asegure las patas de apoyo del calentador a la plancha del piso.

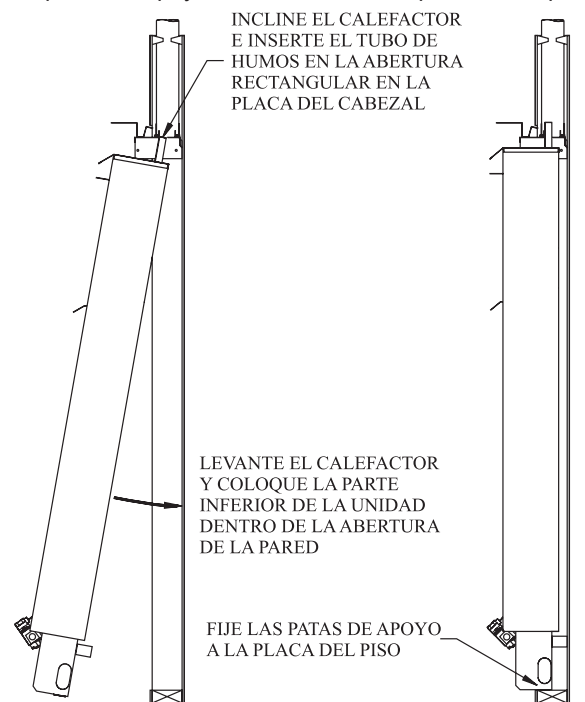


Figure 5

INSTRUCCIONES DE ACABADO (continuación)

IMPORTANTE- Evite apretar demasiado para no dañar la carcasa interna. No trate de forzar el calentador en una abertura de pared que sea más pequeña a las dimensiones especificadas.

CARCASA EXTERIOR (Figura 6)

1. Aline la ranura de 1 3/4" del soporte de la carcasa con el agujero inferior del tornillo en la carcasa interior. Una la consola de la carcasa a la carcasa interior con un tornillo de 10 x 1/2" para cada consola. En este momento no apriete completamente los tornillos.
2. Coloque la carcasa exterior sobre el cabecero.
Importante: Use los agujeros de claridad centrales ubicados en la parte superior de la carcasa exterior para unir al cabecero con dos tornillos (2) Philips de 8 x 3/8" cuando no se instala con el ventilador opcional.
Importante: Use los agujeros de claridad exteriores en la parte superior de la carcasa para fijar al cabecero con dos (2) tornillos Philips de 8 x 3/8" cuando se instala con el ventilador opcional.
3. Aline los agujeros de claridad en la parte inferior de la carcasa exterior con los agujeros para los tornillos en las consolas de la carcasa, ajustando las ranuras en las consolas de la carcasa.
4. En este momento termine de apretar los tornillos de las consolas de la carcasa (del Paso 1) a la carcasa interior.
5. Fijar la carcasa exterior a las consolas de la carcasa con dos (2) tornillos de 10 x 1-1/2".

INSTALANDO LA PUERTA DE CONTROL

Fije las dos arandelas suministradas en el paquete de ferretería para pivotar los pasadores localizados en la parte inferior de la puerta de control. Instale puerta de control en la ensamblaje de la carcasa exterior.

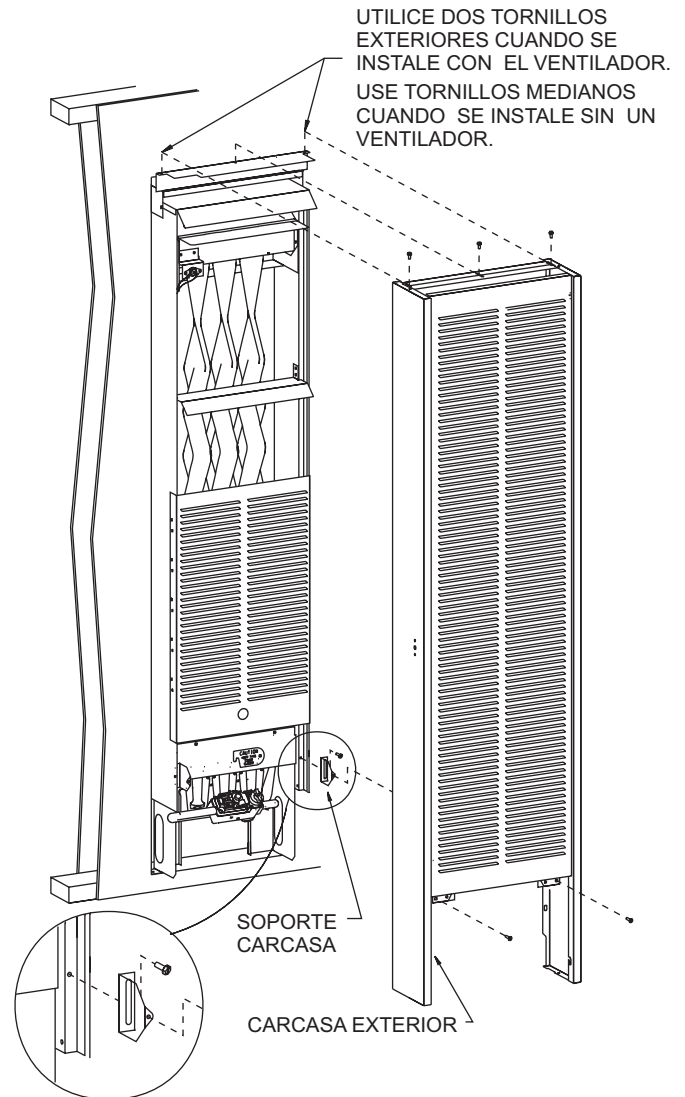


Figura 6

INSTALACIÓN DEL DISPOSITIVO DE ENCENDIDO Y APAGADO

PRECAUCIÓN — No localice cables detrás del reborde del cabezera o en una ubicación donde se puedan dañar. Termostatos de pared de milivoltios son diseñados especialmente para usarse en sistemas de generación propia. **Nunca** deben de usarse en **línea** o circuitos **bajo** de voltaje C.A.

Instalación del dispositivo de encendido y apagado

Para instalar un dispositivo de encendido y apagado (como un interruptor de pared, un control remoto, un interruptor de palanca o un termostato), retire la tuerca para cables de los dos cables de la válvula. Pase un cable adicional desde los cables de la válvula hacia el dispositivo de encendido y apagado. Instale el dispositivo de encendido y apagado en la misma habitación de la caldera, siguiendo las instrucciones de instalación que se suministran con él. Si no tiene las instrucciones, instale el dispositivo de encendido y apagado de 1,2 a 1,5 m (4 a 5 pies) sobre el suelo en una pared interior que no se vea afectada por otra fuente de calefacción (por ejemplo, una cocina o un calentador de agua) o por la temperatura de una habitación contigua.

Una correcta operación depende de una buena flama del piloto. La flama debe cubrir la cima de la termopar. El limpiar el inyector del piloto y el quemador debe de requerirse ya que se pueden presentar telas de araña.

Inspección del Sistema (Figura 7)

Se necesita un medidor de milivoltios para revisar el sistema. Las lecturas de milivoltios deberían ser las siguientes:

- A través de los terminales de la termopila, 400 a 450 milivoltios con el calentador APAGADO.
- A través de los terminales de la termopila, 150 a 250 milivoltios con el calentador ENCENDIDO.
- A través de los cables en la válvula, menos de 30 milivoltios con el calentador ENCENDIDO.

Conecte los cables del termostato a la válvula de gas como se muestra en la Figura 7.

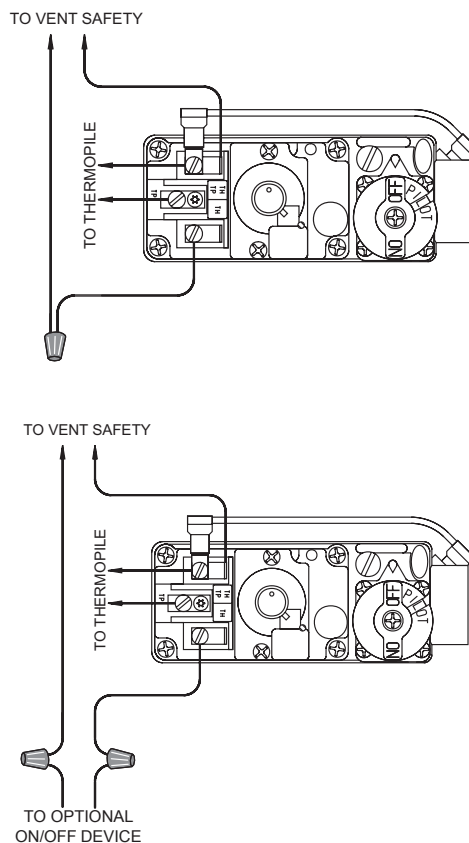


Figura 7

Para conservar gas: Apagar el piloto cuando el calentón no se ocupe.


INSTRUCCIONES DE ENCENDIDO

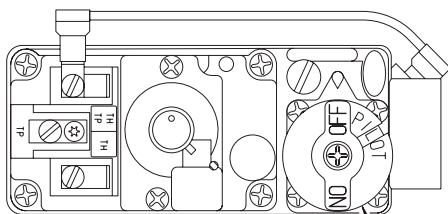
PARA SU SEGURIDAD LEA ANTES DE ENCENDER

ADVERTENCIA: Si usted no sigue estas instrucciones con exactitud, puede provocar incendio o explosión, causando daños a la propiedad, lesión personal o pérdida de vida.

- A. Este aparato tiene que encenderse manualmente. Cuando encienda el piloto, siga estas instrucciones con exactitud.
- B. **ANTES DE ENCENDER**, huela alrededor del área donde se ubique el calentador por si oliera a gas. Asegúrese de oler cerca del piso, ya que algunos gases son más pesados que el aire y se asientan en el piso.
- QUÉ HACER SI HUELE GAS**
- No encienda ningún aparato.
 - No encienda ningún interruptor eléctrico; no use ningún teléfono de su edificio.
 - Inmediatamente llame a su suministrador de gas desde el teléfono de un vecino. Prosiga según instrucciones del suministrador de gas.
 - Si no puede comunicarse con su suministrador de gas, llame al Departamento de Bomberos.
- C. Únicamente con sus manos oprima o gire el botón del control de gas. Nunca use herramientas. Si el botón no se pudiera oprimir o girar manualmente, no trate de repararlo y llame a un técnico de servicio capacitado. El forzar o reparar puede causar un incendio o explosión.
- D. No use este calentador si alguna de sus partes ha estado bajo agua. Inmediatamente llame a un técnico de servicio capacitado para que inspeccione el calentador y reemplace cualquier parte del sistema de control o cualquier control de gas que haya estado bajo agua.


INSTRUCCIONES DE ENCENDIDO

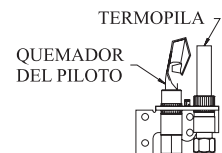
1. PARE! Lea la información de seguridad mencionada arriba.
2. Apague todo sistema eléctrico del calentador (si fuera aplicable).
3. Remueva el panel de acceso de control (puerta de control).
4. Apriete la perilla de control de gas levemente y gírela en el sentido de las manillas del reloj  "OFF."




PERILLA DE CONTROL DE GAS EN LA POSICIÓN DE "OFF"

- NOTA:** La perilla no gira de "PILOT" a "OFF" a menos que se apriete levemente. No la force.
5. Espere diez (10) minutos para el desalojo del gas. Luego huela por posible gas, incluyendo cerca del piso. ¡Si huele a gas, PARE! Siga el paso "B" en la información de seguridad de arriba. Si no huele a gas, prosiga con el próximo paso.
 6. Localice el piloto. Siga el tubo de metal desde el control de gas. El piloto está montado en frente del quemador principal.

7. Gire la perilla de la válvula de gas en dirección opuesta al sentido de las manillas del reloj  hacia "PILOT."



8. Apriete la perilla de control completamente hacia abajo y manténgala en esta posición. Inmediatamente encienda el piloto con un fósforo. Continúe manteniendo la perilla en esta posición por un (1) minuto después de que el piloto se haya encendido. Suelte la perilla y ésta se saltará hacia arriba. El piloto se mantendrá encendido. Si se apagara, repita los pasos 5 a 9.
 - Si la perilla no saltara cuando se suelte, pare e inmediatamente llame a un técnico de servicio o de suministro de gas.
 - Si el piloto no se mantuviera encendido después de varios intentos, mueva la perilla hacia "OFF" y llame a un técnico de servicio o de suministro de gas.
9. Rote la perilla de control de gas en dirección opuesta al sentido de las manillas del reloj hacia  "ON."
10. Reemplace el panel de acceso de control (puerta de control).
11. Encienda todos los sistemas eléctricos del aparato (si fuera aplicable).

PARA APAGAR EL GAS DEL CALENTADOR

1. Apague todo sistema eléctrico del calentador si se sometiera el aparato a servicio.
2. Remueva el panel de acceso de control (puerta de control).
3. Apriete la perilla de control de gas levemente y rotela en el sentido de las manillas del reloj a "OFF." No la force.
4. Reemplace el panel de acceso de control (puerta de control).

SISTEMA DE APAGO DEL DISPOSITIVO DE SEGURIDAD DEL RESPIRADERO

Este aparato tiene que conectarse apropiadamente a un sistema de respiración. Este aparato está equipado con un Sistema de Dispositivo de Seguridad del Respiradero.

Advertencia: La operación de este calentador de pared puede resultar en envenenamiento con monóxido de carbono (CO) o posible muerte si (a) no está conectado a un sistema de ventilación que haya sido instalado y mantenido en forma correcta o (b) si se altera el dispositivo de seguridad.

Este calentador esta equipado con un dispositivo de seguridad con reactivación manual. Este dispositivo causaría el discontinuamiento del flujo de gas al quemador principal cuando exista un bloqueo del humero o ventilación inapropiada.

Para reactivar este dispositivo:

1. Quite la carcasa.
2. Apriete el botón rojo del dispositivo. Este dispositivo de seguridad está ubicado en el desviador.
3. Reemplace la carcasa.

Si el dispositivo de seguridad todavía continua apagando el flujo de gas al quemador principal contacte al suplidor de gas para que inspeccione la ventilación, el bloqueo en el tubo del humero o el dispositivo que puede estar defectuoso.

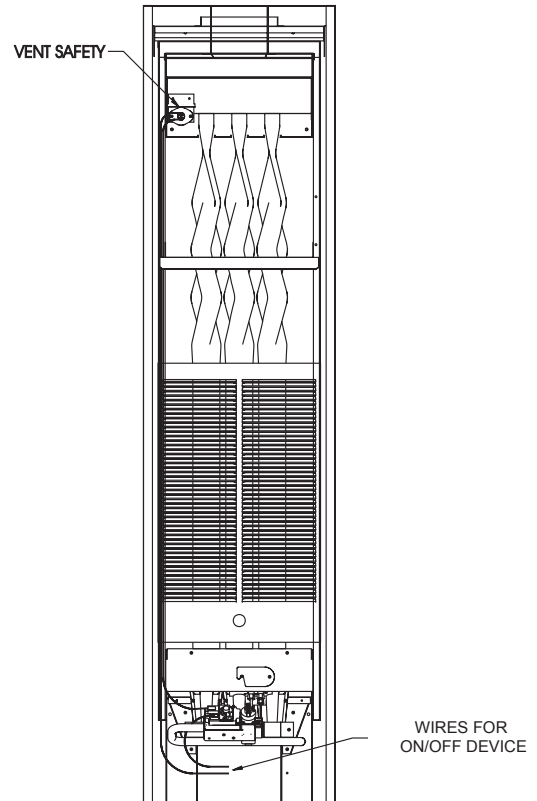


Figura 8

FLAMA CORRECTA DEL QUEMADOR PRINCIPAL

La flama correcta será una flama interna pequeña y azul, con una flama externa más grande de color azul claro. El quemador no tiene ajuste para aire primario. La flama será la apropiada si se usa el ajuste de presión y la abertura del orificio puestos en la fábrica. Una vez que el calentador esté en operación, el limpiar el quemador puede necesitarse para obtener una flama correcta, examinándose por lo menos 2 veces en cada estación de invierno.

Para limpiar los agujeros del quemador, desconecte el suministro de gas a la válvula y remueva el ensamblaje del quemador. Después de remover el ensamblaje del quemador de la cámara de combustión, desabroche el quemador, luego el piloto del quemador. Force agua dentro de la faja de agujeros y seque con aire caliente con una aspiradora, o con gas comprimido a baja presión (aire, nitrógen, etc.).

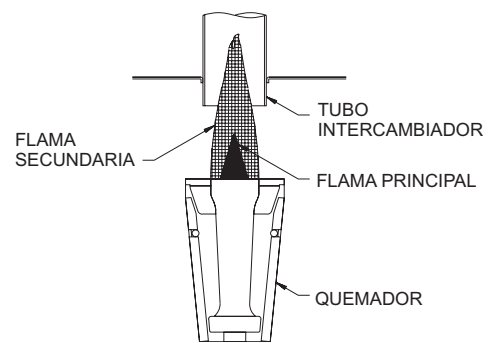


Figura 9

FLAMA CORRECTA DEL PILOTO

La flama correcta será azul, extendiéndose más allá de la termopar. La flama se ubicará alrededor de la termopar un poquito más abajo de su punta.

Pilotos para gas natural necesitan ajuste cuando la presión de gas de entrada es más de 5" w.c. (1.245kPa). Remueva el tornillo de la cubierta del piloto en la válvula y gire el tornillo de ajuste en el sentido de las manillas del reloj, para reducir la flama. Reinstale el tornillo de la cubierta del piloto para evitar fuga de gas en esta abertura de la válvula.

Gas LP (propano) no necesita ajuste.

Después de cierto uso, el limpiarse puede necesitarse para una flama apropiada. Examine la flama del piloto antes y durante la estación de invierno.

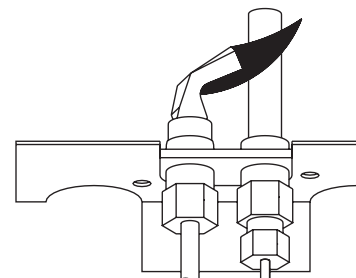


Figura 10

INFORMACIÓN DE REPARACIÓN PARA PERSONAS CALIFICADAS DE SERVICIO

GENERAL: Todos los calentadores han sido encendidos e inspeccionados por operación. Esto incluye BTU de entrada, flama del quemador principal, flama del piloto y operación de la válvula. Si la unidad falla en operar, es sugerido que se inspeccione lo siguiente:

1. Presión de entrada del gas.
2. Tipo de gas que se está usando con el indicado en la placa de características.

El Departamento de Servicio de Empire Comfort Systems, Inc. puede contactarse para su asistencia.

Para Darle Servicio al Piloto y al Quemador Principal, Orificio Piloto, Termopar y Orificio Quemador Principal

Desconecte el suministro de gas en la entrada de la válvula de control. Luego remueva el ensamblaje del quemador para poder reparar los componentes mencionados.

El Piloto No Enciende

Con aire en la línea de gas, como cuando el aparato inicialmente se enciende o cuando permanece apagado durante el verano, la flama del piloto puede estar muy escasa en los primeros intentos. Gire la perilla de control de la válvula a la posición piloto y apriétela manteniéndola en esta posición varios minutos para desalojar el aire de la línea.

1. Use la varilla encendedora con un fósforo para encender.

Si el Piloto no Enciende de Ninguna Manera

1. Inspeccione la perilla de la válvula para que esté en la posición de Piloto.
2. Inspeccione el ajuste del piloto para que esté completamente abierto (en el sentido contrario a las manillas del reloj).
3. Si existe suministro de gas en la línea, tanto el orificio del piloto como el quemador del piloto están probablemente obstruidos por una tela de araña. Limpie el ensamblaje del piloto y recienda.

Si el Piloto no se Mantiene Encendido Después de Soltar la Perilla

1. Siga las instrucciones y mantenga la perilla hacia abajo con más fuerza y más tiempo.
2. Determine si la flama del piloto se extiende más allá de la termopar; si éste no es el caso ajuste el flujo de entrada o limpie el quemador del piloto.
3. Reemplace la termopar si la toma de milivoltios lee menos que 300 milivoltios. Reemplace el imán de la válvula si la toma de milivoltios cuando el imán se separa es mayor que 100 milivoltios.

Apago del Piloto Durante Operación Normal

1. Inspeccione el flujo de entrada usando un manómetro o medidor de presión.
2. Revise la salida de milivoltios cuando el calentador este en operación. Si la salida de milivoltios baja durante la operación del calentador, puede que el control de gas está defectuoso.

Válvula Principal de Gas no se Abre Cuando dispositivo de encendido y apagado Está Conectado

1. Revise la salida de milivoltios de la termopar
2. Los alambres eléctricos del dispositivo de encendido y apagado pueden estar cortados
3. El dispositivo de encendido y apagado puede estar defectuoso

LISTA DE PARTES

POR FAVOR NOTE: Cuando partes se ordenen, es muy importante que el número de parte y descripción de la parte coincidan.

NO. ÍNDICE	NO. PARTE	DESCRIPCIÓN
1	WFA-115	Empaque para Ensamblaje Cabecero
2	36323	Ensamblaje Cabecero (incluye empaque no. 1)
3	GWT-182	Ensamblaje Carcasa Interna
4	GWT-065	Desviador- GWT-25W-1
4	GWT-066	Desviador - GWT-35W-1
5	R-3239	Dispositivo Seguridad Interruptor - GWT-25W-1
5	R-3045	Dispositivo Seguridad Interruptor - GWT-35W-1
6	R-3038-A	Cable Dispositivo Seguridad
7	GWT-020	Escudo Frontal
8	GWT-077	Escudo Calor
9	26463	Ensamblaje Cámara Combustión - GWT-25W-1
9	26464	Ensamblaje Cámara Combustión- GWT-35W-1
10	GWT-070	Ensamblaje Soporte Quemador - GWT-25W-1
10	GWT-073	Ensamblaje Soporte Quemador - GWT-35W-1
11	R-5245	Válvula - NAT
11	R-5246	Válvula - LP
12	R-3031	Ensamblaje Quemador (GWT-25W-1 - 3 Requeridas) (GWT-35W-1 - 4 Requeridas)
13	P-88-55	Inyector - GWT-25W-1 NAT (3 Requeridas)
13	P-88-65	Inyector - GWT-25W-1 LP (3 Requeridas)
13	P-88-54	Inyector - GWT-35W-1 NAT (4 Requeridas)
13	P-88-65	Inyector - GWT-35W-1 LP (4 Requeridas)
14	GWT-015	Obsturador Aire Trasero- GWT-25W-1 LPG

NO. ÍNDICE	NO. PARTE	DESCRIPCIÓN
14	GWT-012	Obsturador Aire Trasero- - GWT-35W-1 LPG
15	GWT-054	Obsturador Aire Inferior - GWT-25W-1 LP
15	GWT-049	Obsturador Aire Inferior - GWT-35W-1 LP
16	GWT-014	Obsturador Aire Frontal - GWT-25W-1 LP
16	GWT-011	Obsturador Aire Frontal - GWT-35W-1 LP
17	GWT-010	Compartimiento Quemador Frontal - GWT-25W-1
17	GWT-008	Compartimiento Quemador Frontal - GWT-35W-1
18	DV-064	Placa Cubertura
19	R-3035	Piloto - LP
19	R-3034	Piloto - NAT
20	GWT-021	Soporte Piloto
21	R-1054	Termopar
22	GWT-186	Soporte Carcasa
23	36328	Ensamblaje Frontal de Soporte (incluye #24)
24	R-3763	Imán (2 Requeridos)
25	36321	Ensamblaje Puerta Carcasa
26	R-885	Arandelas Plásticas (2 Requeridas)
27	23906	So Porte de Válvula
28	36354	Asamblea de cubierta completa (incluye #23, #25, y #26)
29	29011	Soporte para el tubo del intercambiador
N/S	GWT-121	Tubo Piloto- GWT-25W-1
N/S	GWT-076	Tubo Piloto - GWT-35W-1
N/S	R-1089	Piloto con Inyector (HONEYWELL .009 LP Sólomente)
N/S	R-1081	Piloto con Inyector (HONEYWELL .014 NAT Sólomente)
N/S	GWT-190	Paquete de Tornillos

N/S - No Se Muestra

USE ÚNICAMENTE PARTES PARA REPUESTO DEL FABRICANTE. EL USO DE CUALQUIER OTRA PARTE PUEDE CAUSAR LESION O MUERTE

LISTA DE PARTES

Partes de repuesto deben de ordenarse a través de **la persona de servicio únicamente**. Para mejores resultados, la persona de servicio debe ordenar partes al distribuidor. Partes de repuesto deben de enviarse directamente a **la persona de servicio**.

Todas las partes listadas tienen un Número de Parte. Cuando pida partes, primero obtenga el Número de Modelo del calentador que se encuentra en la placa de características. Luego averigüe el Número de Parte (no el Número Índice) y la Descripción de cada parte que se puede obtener de la ilustración y lista en la próxima página. Asegúrese de dar toda la siguiente información.

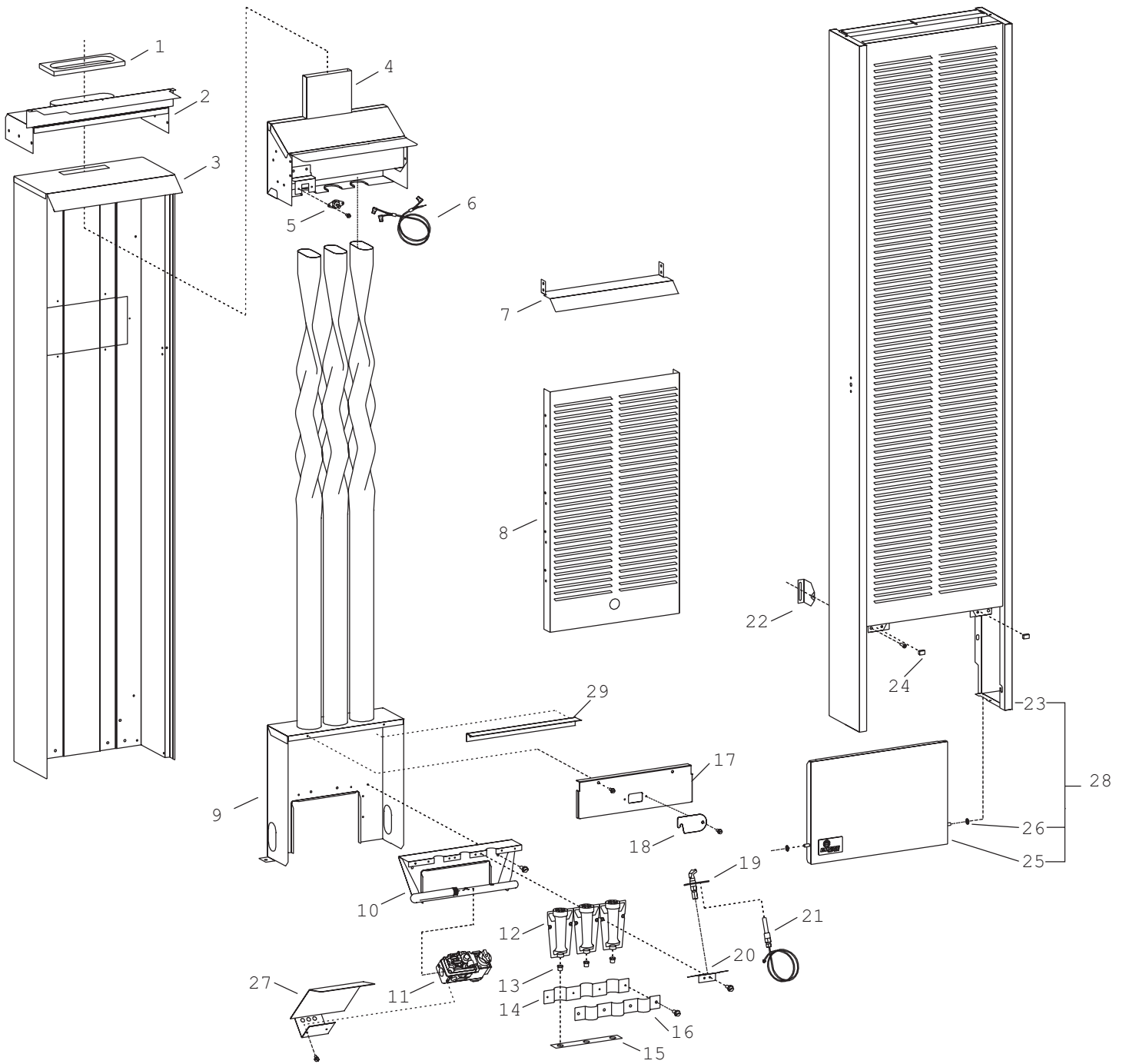
Número Modelo Calentador _____ Descripción de Parte _____

Número Serie Calentador _____ Número de Parte _____

Tipo De Gas (Propano o Natural) _____

No pida tornillos, arandelas, o tuercas. Estos son artículos comunes de ferretería que se consiguen localmente. Envíos atrasados por huelgas, incendios o otras causas están más allá de nuestro control.

VISTA DE PARTES



INSTRUCCIONES DE INSTALACIÓN PARA EL VENTILADOR OPCIONAL

Instalación del Ventilador Usando un Enchufe de Tres Puntas

1. Instale el calentador de acuerdo a las Instrucciones de Instalación y al Manual del Propietario.
2. Consulte las medidas en los dibujos para colocar los agujeros de ensamblaje (2) en la superficie de la pared sobre el calentador.

Sobre una Pared Sólida

3. Después de colocar los agujeros de montaje, fije (2) tornillos de 10 x 1-1/2" (que son parte del juego de ferretería del Ventilador) en la pared. No apriete totalmente las cabezas de los tornillos a la pared, deje un espacio de 7/16" entre la cabeza de los tornillos y la pared.

Sobre una Pared de Yeso

3. Después de localizar los agujeros de ensamblaje, perforo (2) agujeros de 5/16" de diámetro en la pared. Inserte los (2) escudetes de expansión plástica. Inserte los (2) tornillos de 10 x 1-1/2" (suministrados en el juego de ferretería del Ventilador) en los (2) escudetes de expansión plástica. No apriete totalmente la cabeza de los tornillos a los escudetes de expansión plástica, deje un espacio de 7/16" entre la cabeza de los tornillos y los escudetes de expansión plástica. Referirse a la Figura 2.
4. En la parte superior de la carcasa exterior remueva (1) tornillo del agujero del espacio libre que une la carcasa exterior al ensamblaje del cabezera. También remueva los (2) tornillos que fijan la parte inferior de la carcasa exterior a la carcasa interior.
5. Separe la carcasa exterior aproximadamente 1 pulgada de la superficie de la pared.
6. Remueva los (4) tornillos de 8 x 3/8" que fijan la parte frontal del ventilador a la envoltura del ventilador.

Precaución: Al remover el ventilador de la parte frontal tenga cuidado en no dañar los cables. Cables dañados no permiten que el ventilador funcione.

7. Coloque la envoltura del ventilador sobre el ensamblaje del cabezera y alinie el juego de cable de tres puntas entre el lado izquierdo de la carcasa exterior y la carcasa interior.

Precaución: El trazado del conjunto de cables del ventilador es muy importante. Los cables deben estar ubicados correctamente para evitar sobrecalentamiento. Un trazado incorrecto del grupo de cables puede resultar en daño al grupo de cables.

8. Reponer nuevamente la carcasa exterior en la superficie de la pared.
9. Fijar la carcasa exterior al ensamblaje del cabezera. Importante: No se usara el agujero de la claridad. Los dos agujeros de claridad se usaran para unir la carcasa exterior al ensamblaje del cabezera, el (1) tornillo del paso 4 y (1) tornillo suministrado en el paquete de ferretería. Vea la Figura 1.

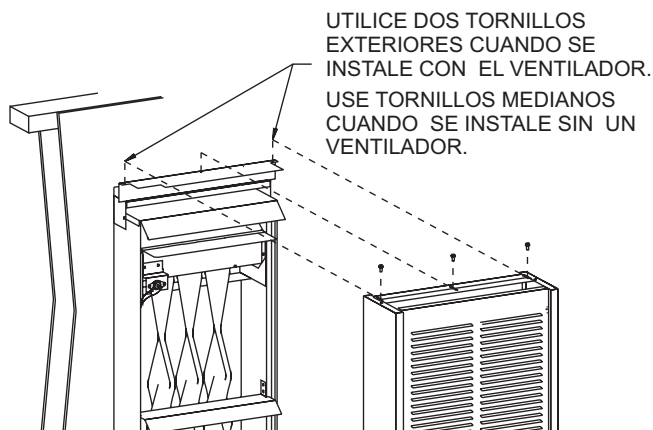


Figura 1

10. Fijar la carcasa exterior a la carcasa interior con (2) tornillos del Paso 4.
11. Alinie las ranuras bocallaves en la envoltura del ventilador con los (2) tornillos ya fijos en la pared. Posicione la envoltura del ventilador nivelado con la superficie de la pared arriba de la carcasa exterior.

Termine de apretar los tornillos del Paso 3 en la envoltura del ventilador a la pared.

12. Colocar las tapas y tapones de la envoltura a la parte frontal del ventilador.
13. Fijar la parte frontal del ventilador a la envoltura con cuatro (4) tornillos 8 x 3/8" del Paso 6.
14. La instalación del ensamblaje del ventilador opcional ahora se ha completado.

Cuidado: Al instalar la envoltura a la pared tener cuidado de no dañar la bobina del motor.

Instalación del Ventilador con Conexión Eléctrica Directa

1. Frente a la abertura de la pared, instale la envoltura de empalme dentro de la abertura de la pared en la viga de la pared izquierda aproximadamente 12 pulgadas de la placa del cabezera.
2. Consulte los Dibujos para la medidas necesarias para ubicar el agujero de acceso para la conexión eléctrica en la superficie de la pared.
3. Después de ubicar el agujero de acceso perforo un agujero de 1/2" en la pared.
4. Guíe suficiente cable eléctrico (genérico) desde la envoltura de empalme de 120v a través de agujero de acceso de 1/2" en la pared para la conexión a la envoltura del ventilador.
5. Instale el calentador de acuerdo a las Instrucciones de Instalación y Manual del Propietario.
6. Consulte el Dibujo para las medidas que se necesitan para ubicar los (2) agujeros de ensamblaje en la superficie de la pared sobre el calentador.

Sobre una Pared Sólida

7. Después de colocar los agujeros de ensamblaje, fije (2) tornillos de 10 x 1- 1/2" (que son parte del juego de ferretería del Ventilador) en la pared. No apriete totalmente las cabezas de los tornillos a la pared, deje un espacio de 7/16" entre la cabeza de los tornillos y la pared.

Sobre una Pared de Yeso

7. Después de localizar los agujeros de ensamblaje, perforo (2) agujeros de 5/16" de diámetro en la pared. Inserte los (2) escudetes de expansión plástica. Inserte los (2) tornillos de 10 x 1-1/2" (suministrados en el juego de ferretería del Ventilador) en los (2) escudetes de expansión plástica. No apriete totalmente la cabeza de los tornillos a los escudetes de expansión plástica, deje un espacio de 7/16" entre la cabeza de los tornillos y los escudetes de expansión plástica. Referirse a la Figura 2.

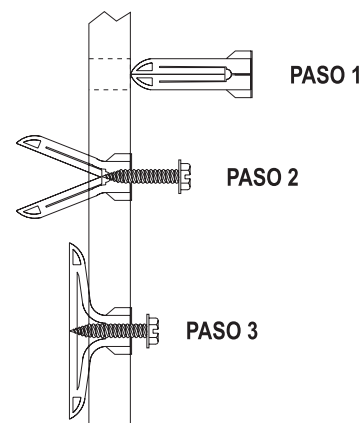


Figura 2

8. Saque el cable con tres puntas de la envoltura.
9. Saque los (4) tornillos de 8 x 3/8" que une el frente del ventilador a la envoltura del ventilador.
10. Coloque la envoltura del ventilador arriba del ensamblaje del cabezera.
11. Trace alambre eléctrico de 120V en la envoltura del ventilador a través del agujero para el cordón conductor atrás de la envoltura del ventilador.

12. Consulte el diagrama de la instalación alámbrica para hacer las conexiones eléctricas dentro de la envoltura del ventilador. Asegúrese que cumple con todos los códigos eléctricos Nacionales y Locales cuando hace las conexiones eléctricas, (genéricas).
13. Aline las ranuras bocallaves detrás de la envoltura del ventilador con (2) tornillos fijos a la pared. Posicione la envoltura del ventilador nivelada con la superficie de la pared y arriba de la carcasa exterior. Termine de apretar los tornillos de la envoltura del ventilador (del Paso 7) a la pared.
14. Fije las tapas y tapones de la envoltura del ventilador y del frente del ventilador.
15. Fije el frente del ventilador a la envoltura del ventilador con cuatro (4) tornillos de 8 x 3/8" del paso 9.
16. La instalación del ensamblaje del ventilador opcional se ha completado.

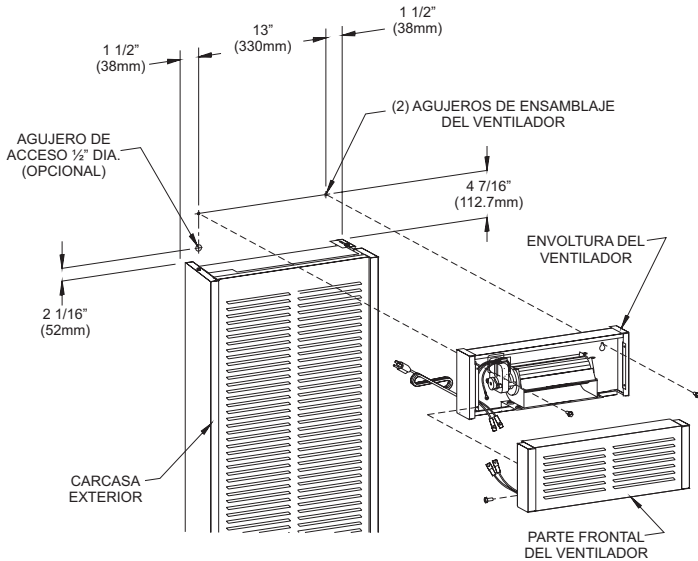


Figura 3

Dispositivo Ventilador

El dispositivo automático del ventilador está ubicado en la parte inferior del ensamblaje del ventilador. El control del ventilador necesitará que el quemador principal esté en operación entre 3 y 7 minutos antes que el control del ventilador "cierre" y active el ventilador. El ventilador continuará funcionando entre 3 y 7 minutos después de que el quemador principal se apague, antes que el control del ventilador "abra" y desactive el ventilador.

Cableaje

El aparato debe de estar conectado a tierra de acuerdo al *National Electrical Code, ANSI/NFPA 70* o *Canadian Electrical Code, CSA C22.1*. **Este Conjunto Ventilador está equipado con un tapón aislado de tierra con tres puntas para su protección contra jalones peligrosos y debe conectarse directamente a un tomacorriente del mismo tipo. No corte o remueva la punta para tierra que tiene el tapón.** Se puede también comprar un tapón adaptador con dos puntas y un cable para tierra. El cable para tierra se conecta a un tornillo del tomacorriente. De esta manera el aparato queda conectado a tierra.

ADVERTENCIA:

Desconectando el ventilador no interrumpe este calentador. Para desconectar el calentador: Apriete la perilla de control de gas levemente y rótelas en el sentido de las manillas del reloj a "OFF." No la force.

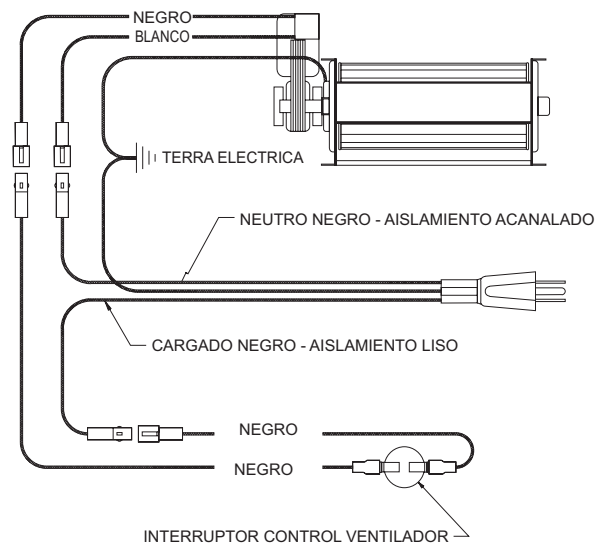
CUIDADO:

Marque todos los cables antes de la conexión cuando le de servicio a los controles. Errores atribuidos a conexión de cables pueden causar una operación incorrecta o peligrosa. Verifique la operación correcta antes de darle servicio.

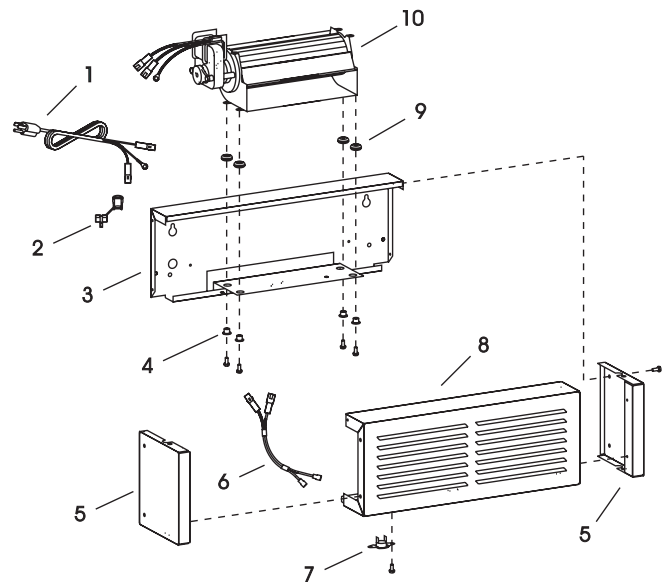
Aceitando el Motor

El motor de este ventilador no tiene agujeros de aceite. No trate de aceitar el motor de este ventilador.

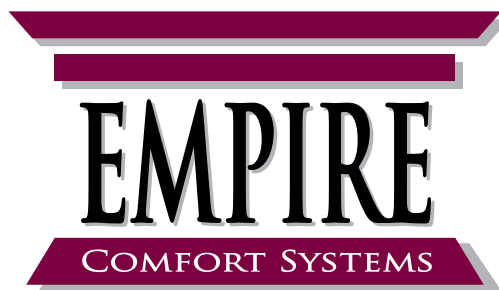
DIAGRAMA DE LA INSTALACION ALAMBRICA DEL MODELO GWTB2W



Si alguno de los cables originales suministrados con este aparato debe cambiarse, debe reemplazarse con uno tipo termoplástico de 125°C o su equivalente.



LISTA DE PARTES		
NO. INDICE	NO. DE PARTE	DESCRIPCIÓN
1	R-2204	Cable Entrada
2	R1468	Retenedor heyco
3	36334	Envoltura Ventilador
4	R1454	Boquilla de Bronce (4 Requeridas)
5	36338	Parte Lateral del Ventilador (2 Requeridas)
6	R-3085	Ensamblaje Cable
7	R-2503	Interruptor Ventilador
8	36337	Frente del Ventilador
9	R1499	Ojal de Hule (4 Requeridas)
10	R-2804	Motor Ventilador



SINCE 1932

www.empirecomfort.com

**Empire Comfort Systems Inc.
Belleville, IL**

Si Ud tiene una pregunta general
acerca de nuestros productos por
favor envíenos un correo al
info@empirecomfort.com.

Si Ud tiene una pregunta de servicio
o de repuestos favor de llamar
donde Ud compró el aparato.