

This Owner's Manual is provided and hosted by [Appliance Factory Parts](#).



COMFORT-AIRE PCG 300 A-3L Owner's Manual

[Shop genuine replacement parts for COMFORT-AIRE
PCG 300 A-3L](#)

The logo for Comfort-Aire is written in a blue, cursive script font. A registered trademark symbol (®) is located at the end of the word "Aire".

[Find Your COMFORT-AIRE HVAC Parts - Select From 1486 Models](#)

----- Manual continues below -----

HEAT CONTROLLER, INC.



This parts list is current as of the above revision date.

Form Number: 92-42810-PCG

Table of Contents

| | |
|--|---------|
| Model Explanation | Page 3 |
| Parts Numbers | |
| Panels - Miscellaneous 072-150 (1) | Page 4 |
| Panels - Miscellaneous 072-150 (2) | Page 5 |
| Panels - Miscellaneous 151 (3) | Page 6 |
| Panels - Miscellaneous 151 (4) | Page 7 |
| Panels - Miscellaneous 180-300 (1) | Page 8 |
| Panels - Miscellaneous 180-300 (2) | Page 9 |
| Electrical Group 072-150 | Page 10 |
| Electrical Group 151 | Page 11 |
| Electrical Group 180-300 | Page 12 |
| Fan Group 072-151 | Page 13 |
| Fan Group 180-300 | Page 14 |
| Blower Group 072-151 | Page 15 |
| Blower Group 180-300 | Page 16 |
| Coil Parts 072-090 | Page 17 |
| Coil Parts 102-150 | Page 18 |
| Coil Parts 151 | Page 19 |
| Coil Parts 180-300 | Page 20 |
| Compressor Group 072-151 | Page 21 |
| Compressor Group 180-300 | Page 22 |
| Heater Kits | Page 23 |
| Accessories 072-151 | Page 24 |
| Accessories 180-300 | Page 25 |
| Drawings/Photographs | |
| Exploded View 072-150 | Page 26 |
| Exterior - Front 072-150 | Page 27 |
| Exterior - Back 072-150 | Page 27 |
| Filter-Coil Assembly 072-150 | Page 28 |
| Condenser Coil Assembly 072-150 | Page 28 |
| Front Panel Brackets 072-150 | Page 29 |
| Filter Frame Assembly 072-150 | Page 30 |
| Blower Assembly 072-150 | Page 30 |
| Control Box 072-150 | Page 31 |
| Exterior - Front 180-300 | Page 32 |
| Exterior - Rear 180-300 | Page 32 |
| Base Pan Assembly 180-300 | Page 33 |
| Base Rail Assembly 180-300 | Page 33 |
| Front Panel Brackets 180-300 | Page 34 |
| Interior - Coil 180-300 | Page 34 |
| Heat Compartment 180-300 | Page 35 |
| Condenser Bulkhead 180-300 | Page 35 |
| Filter Frame Assembly 180-300 | Page 36 |
| Blower Assembly 180-300 | Page 36 |
| Control Box 180-300 | Page 37 |
| Electric Heat Block-Off 180-300 | Page 38 |
| Notes | Page 39 |

MODEL NUMBER EXPLANATION

| | | | | | | | | | |
|----------|----------|----------|----------|----------|----------|----------|----------|----------|----------|
| P | C | G | 0 | 7 | 2 | A | - | 3 | L |
| 1 | | | 2 | | | 3 | | | |

- (1) **SERIES**
- (2) **COOLING CAPACITY (BTU/HR)**
 072/073 = 72,000
 085 = 85,000
 090 = 90,000
 102 = 102,000
 120 = 120,000
 150 = 150,000
 151 = 150,000
 180 = 180,000
 210 = 210,000
 240 = 240,000
 300 = 300,000
- (3) **VARIATION**

SERIAL NUMBER EXPLANATION

| | | | | | | | | | | | | |
|----------|----------|----------|----------|----------|----------|----------|----------|----------|----------|----------|----------|----------|
| 7 | 9 | 1 | 6 | F | 0 | 2 | 0 | 9 | 9 | 9 | 9 | 9 |
| 1 | | | | 2 | 3 | | 4 | 5 | | | | |

- (1) **COMPRESSOR IDENTIFICATION NUMBER**
- (2) **PRODUCTION LOCATION**
- (3) **WEEK OF PRODUCTION**
- (4) **YEAR OF PRODUCTION**
- (5) **PRODUCTION NUMBER**

| No. | Notes | MODEL COOLING CAPACITY VARIATION | PCG 072/073 A-3L / A-4L | PCG 085 A-3L / A-4L | PCG 090 A-3L / A-4L | PCG 102 A-3L / A-4L | PCG 120 A-3L / A-4L | PCG 150 A-3L / A-4L |
|--|-------|--|-------------------------------|---------------------------|---------------------------|---------------------------|---------------------------|---------------------------|
| PANELS - RAILS, BASE PANS, INSIDE CABINET | | | | | | | | |
| BASE RAILS: | | | | | | | | |
| A | | Base Rail - Front | AE-90575-15 | AE-90575-15 | AE-90575-15 | AE-90575-15 | AE-90575-15 | AE-90575-15 |
| B | | Base Rail - Right | AE-90576-03 | AE-90576-03 | AE-90576-03 | AE-90576-03 | AE-90576-03 | AE-90576-03 |
| C | | Base Rail - Rear | AE-90575-04 | AE-90575-04 | AE-90575-04 | AE-90575-04 | AE-90575-04 | AE-90575-04 |
| D | | Base Rail - Left | AE-90576-04 | AE-90576-04 | AE-90576-04 | AE-90576-04 | AE-90576-04 | AE-90576-04 |
| BASE PANS: | | | | | | | | |
| E | | Outdoor Coil Base Pan | AS-90583-03C | AS-90583-05C | AS-90583-05C | AS-90583-05C | AS-90583-05C | AS-90577-14C |
| F | | Indoor Coil Base Pan | AS-90577-12 | AS-90577-12 | AS-90577-12 | AS-90577-12 | AS-90577-12 | AS-90577-12 |
| INSIDE CABINET: | | | | | | | | |
| G | | Entry Plate | AE-90614-02 | AE-90614-02 | AE-90614-02 | AE-90614-02 | AE-90614-02 | AE-90614-02 |
| H | | Entry Plate | AE-90614-01 | AE-90614-01 | AE-90614-01 | AE-90614-01 | AE-90614-01 | AE-90614-01 |
| J | | Heat Compartment Side | AE-90598-09 | AE-90598-09 | AE-90598-09 | AE-90598-09 | AE-90598-09 | AE-90598-09 |
| K | | Blower Deck | AS-90592-12 | AS-90592-13 | AS-90592-13 | AS-90592-13 | AS-90592-13 | AS-90592-13 |
| L | | Wireway | AE-90718-05 | AE-90718-05 | AE-90718-05 | AE-90718-05 | AE-90718-05 | AE-90718-05 |
| M | | Condenser Bulkhead | AS-90609-22 | AS-90609-21 | AS-90609-18 | AS-90609-18 | AS-90609-18 | AS-90609-23 |

| No. | Notes | MODEL COOLING CAPACITY VARIATION | PCG 072/073 A-3L / A-4L | PCG 085 A-3L / A-4L | PCG 090 A-3L / A-4L | PCG 102 A-3L / A-4L | PCG 120 A-3L / A-4L | PCG 150 A-3L / A-4L | |
|-----------------------|-------|---|-------------------------------|---------------------------|---------------------------|---------------------------|---------------------------|---------------------------|--|
| PANELS - FRONT | | | | | | | | | |
| 1 | | Control Box Door Assembly - w/Hinges, Latch, Gasket, Insulation | AS-102872-14C | AS-102872-14C | AS-102872-14C | AS-102872-14C | AS-102872-14C | AS-102872-14C | |
| 2a | | Bracket - Top Panel (Left) | AS-102859-16C | AS-102859-16C | AS-102859-16C | AS-102859-16C | AS-102859-16C | AS-102859-16C | |
| 2b | | Bracket - Top Panel (Center) | AS-102859-15C | AS-102859-15C | AS-102859-15C | AS-102859-15C | AS-102859-15C | AS-102859-15C | |
| 2c | | Post - Blower Section | AS-102682-12C | AS-102682-12C | AS-102682-12C | AS-102682-12C | AS-102682-12C | AS-102682-12C | |
| 3a | | Bracket - Bottom Panel (Left) | AS-102859-17C | AS-102859-17C | AS-102859-17C | AS-102859-17C | AS-102859-17C | AS-102859-17C | |
| 3b | | Bracket - Blower/Heater Compartment | AS-102859-14C | AS-102859-14C | AS-102859-14C | AS-102859-14C | AS-102859-14C | AS-102859-14C | |
| 3c | | Bracket - Bottom Panel (Right) | AS-102859-13C | AS-102859-13C | AS-102859-13C | AS-102859-13C | AS-102859-13C | AS-102859-13C | |
| | | Latch Assembly - Control Box Door (2) | 64-102855-01 | 64-102855-01 | 64-102855-01 | 64-102855-01 | 64-102855-01 | 64-102855-01 | |
| 4 | | Post Assembly - Indoor Coil Section | AS-90620-18C | AS-90620-18C | AS-90620-17C | AS-90620-17C | AS-90620-17C | AS-90620-17C | |
| 5 | | Control Box Cover | AE-90713-02 | AE-90713-02 | AE-90713-02 | AE-90713-02 | AE-90713-02 | AE-90713-02 | |
| 6 | | Control Mounting Plate | AE-90712-06 | AE-90712-06 | AE-90712-06 | AE-90712-06 | AE-90712-06 | AE-90712-06 | |
| 7 | | Low Voltage Shield | AE-90742-03 | AE-90742-03 | AE-90742-03 | AE-90742-03 | AE-90742-03 | AE-90742-03 | |
| 8 | | Control Box Back Insulation Assembly | AS-90601-06 | AS-90601-06 | AS-90601-06 | AS-90601-06 | AS-90601-06 | AS-90601-06 | |
| 9 | | Mounting Bracket | AE-90779-02 | AE-90779-02 | AE-90779-02 | AE-90779-02 | AE-90779-02 | AE-90779-02 | |
| 10 | | Electric Heat Blockoff Plate Assembly (models with no heat) | AS-90720-02 | AS-90720-02 | AS-90720-02 | AS-90720-02 | AS-90720-02 | AS-90720-02 | |
| 11 | | Terminal Block | See Electrical Group | | | | | | |
| 12 | | Electric Heat Access Panel Assembly - w/Hinges, Latch, Gasket, Insulation | AS-102872-18C | AS-102872-18C | AS-102872-18C | AS-102872-18C | AS-102872-18C | AS-102872-18C | |
| | | Latch Assembly - Electric Heat Door (2) | 64-102855-01 | 64-102855-01 | 64-102855-01 | 64-102855-01 | 64-102855-01 | 64-102855-01 | |
| 13 | | Power Entry Plate Assembly | AS-90774-11C | AS-90774-11C | AS-90774-11C | AS-90774-11C | AS-90774-11C | AS-90774-11C | |
| 14 | | Blower Access Panel Assembly - w/Hinges, Latch, Gasket, Insulation | AS-102872-16C | AS-102872-16C | AS-102872-16C | AS-102872-16C | AS-102872-16C | AS-102872-16C | |
| | | Latch Assembly - Blower Access Panel (3) | 64-102855-01 | 64-102855-01 | 64-102855-01 | 64-102855-01 | 64-102855-01 | 64-102855-01 | |
| 15 | | High Pressure Guard (2) | AS-76160-01C | AS-76160-01C | AS-76160-01C | AS-76160-01C | AS-76160-01C | AS-76160-01C | |
| 16 | | Heat Mounting Frame Assembly | AS-90754-02 | AS-90754-02 | AS-90754-02 | AS-90754-02 | AS-90754-02 | AS-90754-02 | |
| 17 | | Condenser Coil Access Panel-Front | AS-90631-10C | AS-90631-09C | AS-90631-09C | AS-90631-09C | AS-90631-09C | AS-90631-11C | |
| 18 | | Front Corner Post | AS-90701-06C | AS-90701-06C | AS-90701-06C | AS-90701-06C | AS-90701-06C | AS-90701-05C | |

| No. | Notes | MODEL COOLING CAPACITY VARIATION | PCG 072/073 A-3L / A-4L | PCG 085 A-3L / A-4L | PCG 090 A-3L / A-4L | PCG 102 A-3L / A-4L | PCG 120 A-3L / A-4L | PCG 150 A-3L / A-4L |
|--|-------|--|-------------------------------|---------------------------|---------------------------|---------------------------|---------------------------|---------------------------|
| PANELS - RIGHT, REAR AND LEFT SIDES | | | | | | | | |
| RIGHT: | | | | | | | | |
| 19 | | Air Stop | N/A | N/A | N/A | N/A | N/A | N/A |
| 20 | | Louver Panel Assembly | AS-90789-01C | AS-90789-01C | AS-90789-01C | AS-90789-01C | AS-90789-01C | AS-90789-03C |
| REAR: | | | | | | | | |
| 21 | | Rear Corner Post | AS-90702-03C | AS-90702-03C | AS-90702-03C | AS-90702-03C | AS-90702-03C | AS-90702-04C |
| 22 | | Condenser Coil Access Panel-Rear | AS-90631-03C | AS-90631-05C | AS-90631-05C | AS-90631-05C | AS-90631-05C | AS-90631-12C |
| 23 | | Rear Panel | AS-90618-02C | AS-90618-02C | AS-90618-02C | AS-90618-02C | AS-90618-02C | AS-90618-02C |
| 24 | | Supply Cover | AS-90626-02C | AS-90626-02C | AS-90626-02C | AS-90626-02C | AS-90626-02C | AS-90626-02C |
| 25 | | Return Cover | AS-90628-02C | AS-90628-02C | AS-90628-02C | AS-90628-02C | AS-90628-02C | AS-90628-02C |
| LEFT: | | | | | | | | |
| 26 | | Upper Left Panel | AS-90624-03C | AS-90624-03C | AS-90624-03C | AS-90624-03C | AS-90624-03C | AS-90624-03C |
| 27 | | Lower Left Panel | AS-90624-04C | AS-90624-04C | AS-90624-04C | AS-90624-04C | AS-90624-04C | AS-90624-04C |
| 28 | | Left Corner Panel | AS-90755-07C | AS-90755-07C | AS-90755-07C | AS-90755-07C | AS-90755-07C | AS-90755-07C |
| 29 | | Plate - Receptacle | AS-90756-02C | AS-90756-02C | AS-90756-02C | AS-90756-02C | AS-90756-02C | AS-90756-02C |
| 30 | | Plate - Disconnect | AS-90756-03C | AS-90756-03C | AS-90756-03C | AS-90756-03C | AS-90756-03C | AS-90756-03C |
| 31 | | Button Plug (2) | 45-22980-06 | 45-22980-06 | 45-22980-06 | 45-22980-06 | 45-22980-06 | 45-22980-06 |
| 32 | | Button Plug | 45-22980-05 | 45-22980-05 | 45-22980-05 | 45-22980-05 | 45-22980-05 | 45-22980-05 |
| TOP: | | | | | | | | |
| 33 | | Top Panel Assembly | AS-90616-06C | AS-90616-06C | AS-90616-06C | AS-90616-06C | AS-90616-06C | AS-90616-06C |
| 34 | | Condenser Top Panel | AS-90703-09C | AS-90703-09C | AS-90703-09C | AS-90703-09C | AS-90703-09C | AS-90703-08C |
| 35 | | Venturi | AS-90632-03C (2) | AS-90632-03C (2) | AS-90632-03C (2) | AS-90632-03C (2) | AS-90632-03C (2) | AS-90632-03C (2) |
| 36 | | Wire Grille | 95-100906-09 (2) | 95-100906-09 (2) | 95-100906-09 (2) | 95-100906-09 (2) | 95-100906-09 (2) | 95-100906-09 (2) |
| 43 | | Drain Pan - Removable | See Coil Group | | | | | |

| No. | Notes | MODEL COOLING CAPACITY VARIATION | PCG 151 A-3L / A-4L |
|--|-------|--|---------------------------|
| PANELS - RAILS, BASE PANS, INSIDE CABINET | | | |
| BASE RAILS: | | | |
| A | | Base Rail - Front | AE-90575-15 |
| B | | Base Rail - Right | AE-90576-03 |
| C | | Base Rail - Rear | AE-90575-04 |
| D | | Base Rail - Left | AE-90576-04 |
| BASE PANS: | | | |
| E | | Outdoor Coil Base Pan | AS-90577-14C |
| F | | Indoor Coil Base Pan | AS-90577-12 |
| INSIDE CABINET: | | | |
| G | | Entry Plate | AE-90614-02 |
| H | | Entry Plate | AE-90614-01 |
| J | | Heat Compartment Side | AE-90598-09 |
| K | | Blower Deck | AS-90592-13 |
| L | | Wireway | AE-90718-05 |
| M | | Condenser Bulkhead | AS-90609-23 |

| No. | Notes | MODEL COOLING CAPACITY VARIATION | PCG 151 A-3L / A-4L |
|-----------------------|-------|---|---------------------------|
| PANELS - FRONT | | | |
| 1 | | Control Box Door Assembly - w/Hinges, Latch, Gasket, Insulation | AS-102872-14C |
| 2a | | Bracket - Top Panel (Left) | AS-102859-16C |
| 2b | | Bracket - Top Panel (Center) | AS-102859-15C |
| 2c | | Post - Blower Section | AS-102682-12C |
| 3a | | Bracket - Bottom Panel (Left) | AS-102859-17C |
| 3b | | Bracket - Blower/Heater Compartment | AS-102859-14C |
| 3c | | Bracket - Bottom Panel (Right) | AS-102859-13C |
| | | Latch Assembly - Control Box Door (2) | 64-102855-01 |
| 4 | | Post Assembly - Indoor Coil Section | AS-90620-17C |
| 5 | | Control Box Cover | AE-90713-02 |
| 6 | | Control Mounting Plate | AE-90712-06 |
| 7 | | Low Voltage Shield | AE-90742-03 |
| 8 | | Control Box Back Insulation Assembly | AS-90601-06 |
| 9 | | Mounting Bracket | AE-90779-02 |
| 10 | | Electric Heat Blockoff Plate Assembly (models with no heat) | AS-90720-02 |
| 11 | | Terminal Block | |
| 12 | | Electric Heat Access Panel Assembly - w/Hinges, Latch, Gasket, Insulation | AS-102872-18C |
| | | Latch Assembly - Electric Heat Door (2) | 64-102855-01 |
| 13 | | Power Entry Plate Assembly | AS-90774-11C |
| 14 | | Blower Access Panel Assembly - w/Hinges, Latch, Gasket, Insulation | AS-102872-16C |
| | | Latch Assembly - Blower Access Panel (3) | 64-102855-01 |
| 15 | | High Pressure Guard (2) | AS-76160-01C |
| 16 | | Heat Mounting Frame Assembly | AS-90754-02 |
| 17 | | Condenser Coil Access Panel-Front | AS-90631-11C |
| 18 | | Front Corner Post | AS-90701-05C |

| No. | Notes | MODEL COOLING CAPACITY VARIATION | PCG 151 A-3L / A-4L |
|--|-------|--|---------------------------|
| PANELS - RIGHT, REAR AND LEFT SIDES | | | |
| RIGHT: | | | |
| 19 | | Air Stop | N/A |
| 20 | | Louver Panel Assembly | AS-90789-03C |
| REAR: | | | |
| 21 | | Rear Corner Post | AS-90702-04C |
| 22 | | Condenser Coil Access Panel-Rear | AS-90631-12C |
| 23 | | Rear Panel | AS-90618-02C |
| 24 | | Supply Cover | AS-90626-02C |
| 25 | | Return Cover | AS-90628-02C |
| LEFT: | | | |
| 26 | | Upper Left Panel | AS-90624-03C |
| 27 | | Lower Left Panel | AS-90624-04C |
| 28 | | Left Corner Panel | AS-90755-07C |
| 29 | | Plate - Receptacle | AS-90756-02C |
| 30 | | Plate - Disconnect | AS-90756-03C |
| 31 | | Button Plug (2) | 45-22980-06 |
| 32 | | Button Plug | 45-22980-05 |
| TOP: | | | |
| 33 | | Top Panel Assembly | AS-90616-06C |
| 34 | | Condenser Top Panel | AS-90703-08C |
| 35 | | Venturi | AS-90632-03C (2) |
| 36 | | Wire Grille | 95-100906-09 (2) |
| 43 | | Drain Pan - Removable | |

| No. | Notes | MODEL COOLING CAPACITY VARIATION | PCG 180/210 A-3L / A-4L | PCG 240 A-3L / A-4L | PCG 300 A-3L / A-4L |
|--|-------|--|-------------------------------|---------------------------|---------------------------|
| PANELS - RAILS, BASE PANS, INSIDE CABINET | | | | | |
| BASE RAILS: | | | | | |
| A | | Front | AS-90827-03 | AS-90827-03 | AS-90827-03 |
| B | | Right | AE-90576-06 | AE-90576-06 | AE-90576-06 |
| C | | Rear | AS-90827-04 | AS-90827-04 | AS-90827-04 |
| D | | Left | AE-90576-05 | AE-90576-05 | AE-90576-05 |
| BASE PANS: | | | | | |
| E | | Outdoor Base Pan | AS-90583-09C | AS-90583-09C | AS-90583-09C |
| F | | Indoor Coil Base Pan - Return Air | AS-90577-09 | AS-90577-09 | AS-90577-09 |
| G | | Indoor Coil Base Pan - Supply Air | AS-90577-10 | AS-90577-10 | AS-90577-10 |
| INSIDE CABINET PANEL/PIECES: | | | | | |
| H 1 | | Entry Plate | AE-90614-01 | AE-90614-01 | AE-90614-01 |
| H 2 | | Entry Plate - Rooftop | AE-90614-02 | AE-90614-02 | AE-90614-02 |
| I | | Post - Blower Section | AS-102682-07C | AS-102682-07C | AS-102682-07C |
| J | | Heat Compartment Side | AE-90598-08 | AE-90598-08 | AE-90598-08 |
| K | | Blower Deck Assembly | AS-90592-11 | AS-90592-11 | AS-90592-11 |
| L | | Wireway | AE-90718-04 | AE-90718-04 | AE-90718-04 |
| M | | Condenser Bulkhead | AS-90609-17 | AS-90609-17 | AS-90609-17 |
| N | | Divider Panel - Between Coils | AE-90735-05 | AE-90735-05 | AE-90735-05 |
| O | | Bulkhead Support | AE-102725-01 | AE-102725-01 | AE-102725-01 |
| P | | Primary Drain Pan | AS-103030-02 | AS-103030-02 | AS-103030-02 |
| | | Air Stop - Outdoor Coil- Front | AE-90706-13 | AE-90706-13 | AE-90706-13 |
| | | Air Stop - Outdoor Coil- Rear | AE-90706-12 | AE-90706-12 | AE-90706-12 |
| U | | Coil Support Top | AE-102700-03 | AE-102700-03 | AE-102700-03 |

| No. | Notes | MODEL COOLING CAPACITY VARIATION | PCG 180/210 A-3L / A-4L | PCG 240 A-3L / A-4L | PCG 300 A-3L / A-4L |
|---------------------------------------|-------|---|-------------------------------|---------------------------|---------------------------|
| PANELS - FRONT AND RIGHT SIDES | | | | | |
| 1 | | Control Box Door Assembly - w/Hinges, Latch, Gasket, Insulation | AS-102872-04C | AS-102872-04C | AS-102872-04C |
| 2a | | Bracket - Top Panel (Left) | AS-102859-01C | AS-102859-01C | AS-102859-01C |
| 2b | | Bracket - Top Panel (Center) | AS-102969-01C | AS-102969-01C | AS-102969-01C |
| 2c | | Post - Blower Section | AS-102682-07C | AS-102682-07C | AS-102682-07C |
| 3a | | Bracket - Bottom Panel (Left) | AS-102859-02C | AS-102859-02C | AS-102859-02C |
| 3b | | Bracket - Blower/Heater Compartment | AS-102859-11C | AS-102859-11C | AS-102859-11C |
| 3c | | Bracket - Bottom Panel (Right) | AS-102859-12C | AS-102859-12C | AS-102859-12C |
| 4 | | Post Assembly - Indoor Coil Section | AS-90620-15C | AS-90620-15C | AS-90620-15C |
| 5 | | Control Box Cover | AE-90713-05 | AE-90713-05 | AE-90713-05 |
| 6 | | Control Mounting Panel | AE-90712-05 | AE-90712-05 | AE-90712-05 |
| 7a | | Low Voltage Shield - Control Box (Upper Right) | AE-90742-07 | AE-90742-07 | AE-90742-07 |
| 7b | | Low Voltage Shield - Control Box (Lower Left) | AE-90742-06 | AE-90742-06 | AE-90742-06 |
| 7c | | Thermostat Chase Cover | AE-102722-01 | AE-102722-01 | AE-102722-01 |
| 8 | | Control Box Back | AS-90601-05 | AS-90601-05 | AS-90601-05 |
| 9 | | Bracket | AE-90779-02 | AE-90779-02 | AE-90779-02 |
| 10 | | Electric Heat Blockoff Plate Assembly (models with no heat) | AS-90720-03 | AS-90720-03 | AS-90720-03 |
| 11 | | Terminal Block - Heat Compartment | See Electrical Group | | |
| 12 | | Electric Heat Access Panel Assembly - w/Hinges, Latch, Gasket, Insulation | AS-102872-06C | AS-102872-06C | AS-102872-06C |
| 13 | | Power Entry Plate Assembly | AS-90774-13C | AS-90774-13C | AS-90774-13C |
| 14 | | Blower Access Panel Assembly - w/Hinges, Latch, Gasket, Insulation | AS-102872-02C | AS-102872-02C | AS-102872-02C |
| 15 | | Ground Lug - Heat Compartment | See Electrical Group | | |
| 16 | | Mounting Frame - Heat Exchanger Frame | AS-90754-04 | AS-90754-04 | AS-90754-04 |
| 17 | | Condenser Coil Access Panel-Front | AS-90734-08C | AS-90734-08C | AS-90734-08C |
| 38c | | Post - Outdoor Coil (Front) | See Coil Group | | |
| 39c | | Post - Outdoor Coil (Rear) | See Coil Group | | |

| No. | Notes | MODEL COOLING CAPACITY VARIATION | PCG 180/210 A-3L / A-4L | PCG 240 A-3L / A-4L | PCG 300 A-3L / A-4L |
|-------------------------------------|-------|--|-------------------------------|---------------------------|---------------------------|
| PANELS - REAR, LEFT, AND TOP | | | | | |
| REAR: | | | | | |
| 22 | | Condenser Coil Access Panel-Rear | AS-90734-09C | AS-90734-09C | AS-90734-09C |
| 23 | | Rear Panel - Right | AS-90618-08C | AS-90618-08C | AS-90618-08C |
| 24 | | Supply Cover | AS-90628-03C | AS-90628-03C | AS-90628-03C |
| 25 | | Return Cover | AS-90628-04C | AS-90628-04C | AS-90628-04C |
| LEFT: | | | | | |
| 26 | | Upper Left Panel | AS-90624-09C | AS-90624-09C | AS-90624-09C |
| 27 | | Lower Left Panel | AS-90624-08C | AS-90624-08C | AS-90624-08C |
| 28 | | Left Corner Panel Assembly | AS-90755-05C | AS-90755-05C | AS-90755-05C |
| | | Bracket - Left Corner Panel Assembly (2) | AE-90779-01 | AE-90779-01 | AE-90779-01 |
| | | Gasket for receptacle plate | 68-42514-08 | 68-42514-08 | 68-42514-08 |
| | | Gasket for disconnect plate | 68-42514-09 | 68-42514-09 | 68-42514-09 |
| 29 | | Plate - Install inside Panel-Receptacle | AS-90756-02C | AS-90756-02C | AS-90756-02C |
| 30 | | Plate - Install inside Panel-Disconnect | AS-90756-03C | AS-90756-03C | AS-90756-03C |
| 31 | | Button Plug (3) | 45-42558-01 | 45-42558-01 | 45-42558-01 |
| 32 | | Star Bushing (3) | 45-18515-01 | 45-18515-01 | 45-18515-01 |
| TOP: | | | | | |
| 33a | | Top Panel Assembly - Right | AS-90616-04C | AS-90616-04C | AS-90616-04C |
| 33b | | Top Panel Assembly - Left | AS-90616-05C | AS-90616-05C | AS-90616-05C |
| 34a | | Top Panel - Front | AS-90633-10C | AS-90633-10C | AS-90633-10C |
| 34b | | Top Panel - Middle | AS-90633-12C | AS-90633-11C | AS-90633-11C |
| 34c | | Top Panel - Rear | AS-90633-09C | AS-90633-09C | AS-90633-09C |
| 35 | | Venturi | AS-90632-03C (4) | AS-90632-03C (6) | AS-90632-03C (6) |
| 36 | | Wire Grille | 95-100906-09 (4) | 95-100906-09 (6) | 95-100906-09 (6) |
| 43 | | Drain Pan - Removable | See Coil Group | | |

| No. | Notes | MODEL COOLING CAPACITY VARIATION | PCG 072/073 A-3L | PCG 085 A-3L | PCG 090 A-3L | PCG 102 A-3L | PCG 120 A-3L | PCG 150 A-3L |
|--------------------------------|-------|--|------------------------|--------------------|--------------------|--------------------|--------------------|--------------------|
| ELECTRIC GROUP | | | | | | | | |
| 11 | | Terminal Block | 45-41669-01 | 45-41669-01 | 45-41669-01 | 45-41669-01 | 45-41669-01 | 45-41669-01 |
| CONTROL BOX COMPONENTS: | | | | | | | | |
| 57 | Stk | Transformer - Control | 46-42515-04 | 46-42515-04 | 46-42515-04 | 46-42515-04 | 46-42515-04 | 46-42515-04 |
| 58a | | Double Row Terminal Block | 45-42548-02 | 45-42548-02 | 45-42548-02 | 45-42548-02 | 45-42548-02 | 45-42548-02 |
| 58b | | Ground Lug | 45-19000-02 | 45-19000-02 | 45-19000-02 | 45-19000-02 | 45-19000-02 | 45-19000-02 |
| 59 | Stk | Contactora - Blower | 42-22464-01 | 42-22464-01 | 42-22464-01 | 42-22464-01 | 42-22464-01 | 42-22464-01 |
| 60 | | Capacitor - Fan Motor | See Fan Group | | | | | |
| | | High Pressure Control | See Coil Group | | | | | |
| | | Low Pressure Control | See Coil Group | | | | | |
| 61 | | Integrated Furnace Control Board (IFC) | 47-102884-01 | 47-102884-01 | 47-102884-01 | 47-102884-01 | 47-102884-01 | 47-102884-01 |
| 62 | Stk | Compressor Contactor | 42-22464-03 (1) | 42-22464-03 (1) | 42-22464-01 (2) | 42-22464-01 (2) | 42-22464-01 (2) | 42-22464-01 (2) |
| WIRING HARNESES: | | | | | | | | |
| | | Wiring Harness - Motor #1 | See Fan Group | | | | | |
| | | Wiring Harness - Motor #2 | See Fan Group | | | | | |
| | | Wiring Harness - Twist-Loc 12 Pin to 9 Pin | 45-102706-05 | 45-102706-05 | 45-102706-05 | 45-102706-05 | 45-102706-05 | 45-102706-05 |
| | | Plug Harness - Compressor | See Compressor Group | | | | | |
| | | Wiring Harness - Main Power | 45-42522-09 | 45-42522-09 | 45-42522-09 | 45-42522-09 | 45-42522-09 | 45-42522-09 |
| | | Bypass Plug - Economizer 12 Pin | AS-61997-55 | AS-61997-55 | AS-61997-55 | AS-61997-55 | AS-61997-55 | AS-61997-55 |
| | | Wiring Harness - 6 Pin to Heater Kit | 45-102706-09 | 45-102706-09 | 45-102706-09 | 45-102706-09 | 45-102706-09 | 45-102706-09 |
| | | High/Low Pressure Switch Assembly (Includes both switches and Wiring Harness) | See Coil Group | | | | | |

| No. | Notes | MODEL COOLING CAPACITY VARIATION | PCG 072/073 A-4L | PCG 085 A-4L | PCG 090 A-4L | PCG 102 A-4L | PCG 120 A-4L | PCG 150 A-4L |
|--------------------------------|-------|--|------------------------|--------------------|--------------------|--------------------|--------------------|--------------------|
| ELECTRIC GROUP | | | | | | | | |
| 11 | | Terminal Block | 45-41669-01 | 45-41669-01 | 45-41669-01 | 45-41669-01 | 45-41669-01 | 45-41669-01 |
| CONTROL BOX COMPONENTS: | | | | | | | | |
| 57 | Stk | Transformer - Control | 46-42515-05 | 46-42515-05 | 46-42515-05 | 46-42515-05 | 46-42515-05 | 46-42515-05 |
| 58a | | Double Row Terminal Block | 45-42548-02 | 45-42548-02 | 45-42548-02 | 45-42548-02 | 45-42548-02 | 45-42548-02 |
| 58b | | Ground Lug | 45-19000-02 | 45-19000-02 | 45-19000-02 | 45-19000-02 | 45-19000-02 | 45-19000-02 |
| 59 | Stk | Contactora - Blower | 42-22464-01 | 42-22464-01 | 42-22464-01 | 42-22464-01 | 42-22464-01 | 42-22464-01 |
| 60 | | Capacitor - Fan Motor | See Fan Group | | | | | |
| | | High Pressure Control | See Coil Group | | | | | |
| | | Low Pressure Control | See Coil Group | | | | | |
| 61 | | Integrated Furnace Control Board (IFC) | 47-102884-01 | 47-102884-01 | 47-102884-01 | 47-102884-01 | 47-102884-01 | 47-102884-01 |
| 62 | Stk | Compressor Contactor | 42-22464-03 (1) | 42-22464-03 (1) | 42-22464-01 (2) | 42-22464-01 (2) | 42-22464-01 (2) | 42-22464-01 (2) |
| WIRING HARNESES: | | | | | | | | |
| | | Wiring Harness - Motor #1 | See Fan Group | | | | | |
| | | Wiring Harness - Motor #2 | See Fan Group | | | | | |
| | | Wiring Harness - Twist-Loc 12 Pin to 9 Pin | 45-102706-05 | 45-102706-05 | 45-102706-05 | 45-102706-05 | 45-102706-05 | 45-102706-05 |
| | | Plug Harness - Compressor | See Compressor Group | | | | | |
| | | Wiring Harness - Main Power | 45-42522-09 | 45-42522-09 | 45-42522-09 | 45-42522-09 | 45-42522-09 | 45-42522-09 |
| | | Bypass Plug - Economizer 12 Pin | AS-61997-55 | AS-61997-55 | AS-61997-55 | AS-61997-55 | AS-61997-55 | AS-61997-55 |
| | | Wiring Harness - 6 Pin to Heater Kit | 45-102706-09 | 45-102706-09 | 45-102706-09 | 45-102706-09 | 45-102706-09 | 45-102706-09 |
| | | High/Low Pressure Switch Assembly (Includes both switches and Wiring Harness) | See Coil Group | | | | | |

| No. | Notes | MODEL COOLING CAPACITY VARIATION | PCG 151 A-3L |
|--------------------------------|-------|---|-------------------------|
| ELECTRIC GROUP | | | |
| 11 | | Terminal Block | 45-41669-01 |
| CONTROL BOX COMPONENTS: | | | |
| 57 | Stk | Transformer - Control | 46-42515-04 |
| 58a | | Double Row Terminal Block | 45-42548-02 |
| 58b | | Ground Lug | 45-19000-02 |
| 59 | Stk | Contactora - Blower | 42-22464-01 |
| 60 | | Capacitor - Fan Motor | See Fan Group |
| | | High Pressure Control | See Coil Group |
| | | Low Pressure Control | |
| 61 | | Integrated Furnace Control Board (IFC) | 47-102884-01 |
| 62 | Stk | Compressor Contactor | 42-22464-01 (2) |
| WIRING HARNESES: | | | |
| | | Wiring Harness - Motor #1 | See Fan Group |
| | | Wiring Harness - Motor #2 | |
| | | Wiring Harness - Twist-Loc 12 Pin to 9 Pin | 45-102706-05 |
| | | Plug Harness - Compressor | See Compressor Group |
| | | Wirng Harness - Main Power | 45-42522-09 |
| | | Bypass Plug - Economizer 12 Pin | AS-61997-55 |
| | | Wiring Harness - 6 Pin to Heater Kit | 45-102706-09 |
| | | High/Low Pressure Switch Assembly (Includes both switches and Wiring Harness) | See Coil Group |

| No. | Notes | MODEL COOLING CAPACITY VARIATION | PCG 151 A-4L |
|--------------------------------|-------|---|-------------------------|
| ELECTRIC GROUP | | | |
| 11 | | Terminal Block | 45-41669-01 |
| CONTROL BOX COMPONENTS: | | | |
| 57 | Stk | Transformer - Control | 46-42515-05 |
| 58a | | Double Row Terminal Block | 45-42548-02 |
| 58b | | Ground Lug | 45-19000-02 |
| 59 | Stk | Contactora - Blower | 42-22464-01 |
| 60 | | Capacitor - Fan Motor | See Fan Group |
| | | High Pressure Control | See Coil Group |
| | | Low Pressure Control | |
| 61 | | Integrated Furnace Control Board (IFC) | 47-102884-01 |
| 62 | Stk | Compressor Contactor | 42-22464-01 (2) |
| WIRING HARNESES: | | | |
| | | Wiring Harness - Motor #1 | See Fan Group |
| | | Wiring Harness - Motor #2 | |
| | | Wiring Harness - Twist-Loc 12 Pin to 9 Pin | 45-102706-05 |
| | | Plug Harness - Compressor | See Compressor Group |
| | | Wirng Harness - Main Power | 45-42522-09 |
| | | Bypass Plug - Economizer 12 Pin | AS-61997-55 |
| | | Wiring Harness - 6 Pin to Heater Kit | 45-102706-09 |
| | | High/Low Pressure Switch Assembly (Includes both switches and Wiring Harness) | See Coil Group |

| No. | Notes | MODEL COOLING CAPACITY VARIATION | PCG 180/210 A-3L | PCG 240 A-3L | PCG 300 A-3L |
|--------------------------------|-------|---|------------------------|----------------------|--------------------|
| ELECTRIC GROUP | | | | | |
| 11 | | Terminal Block - Heater Compartment | 45-21134-04 | 45-21134-04 | 45-21134-04 |
| 15 | | Ground Lug - Heater Compartment | 45-19000-02 | 45-19000-02 | 45-19000-02 |
| CONTROL BOX COMPONENTS: | | | | | |
| 57 | Stk | Transformer - Control | 46-42515-04 | 46-42515-04 | 46-42515-04 |
| 58a | | Terminal Block - Double Row | 45-42548-02 | 45-42548-02 | 45-42548-02 |
| 58b | | Terminal Block - Power Block | 45-41765-01 | 45-41765-01 | 45-41765-01 |
| 58c | | Ground Lug | 45-19000-02 | 45-19000-02 | 45-19000-02 |
| 59 | Stk | Contactora - Blower | 42-102664-08 | 42-102664-08 | 42-102664-08 |
| 60 | | Run Capacitor | | See Fan Group | |
| | | High Pressure Control | | See Coil Group | |
| | | Low Pressure Control | | See Coil Group | |
| 61 | | Integrated Furnace Control | 47-102884-01 | 47-102884-01 | 47-102884-01 |
| 62 | Stk | Compressor Contactor (2) | 42-102664-12 | 42-22464-04 | 42-22464-04 |
| WIRING HARNESES: | | | | | |
| | | Wiring Harness - Motor #1 | | See Fan Group | |
| | | Wiring Harness - Motor #2 | | See Fan Group | |
| | | Plug Harness - Compressor | | See Compressor Group | |
| | | Wirng Harness - Main Power | 45-42522-92 | 45-42522-92 | 45-42522-92 |
| | | Bypass Plug - Economizer 12 Pin | AS-61997-55 | AS-61997-55 | AS-61997-55 |
| | | Wiring Harness - 6 Pin to Heater Kit | 45-42522-91 | 45-42522-91 | 45-42522-91 |
| | | Wiring Harness - Economizer (12 pin to 9 pin) | 45-42522-89 | 45-42522-89 | 45-42522-89 |
| | | High/Low Pressure Switch Assembly (Includes both Switches and Wiring Harness) | | See Coil Group | |

| No. | Notes | MODEL COOLING CAPACITY VARIATION | PCG 180/210 A-4L | PCG 240 A-4L | PCG 300 A-4L |
|--------------------------------|-------|---|------------------------|----------------------|--------------------|
| ELECTRIC GROUP | | | | | |
| 11 | | Terminal Block - Heater Compartment | 45-21134-04 | 45-21134-04 | 45-21134-04 |
| 15 | | Ground Lug - Heater Compartment | 45-19000-02 | 45-19000-02 | 45-19000-02 |
| CONTROL BOX COMPONENTS: | | | | | |
| 57 | Stk | Transformer - Control | 46-42515-05 | 46-42515-05 | 46-42515-05 |
| 58a | | Terminal Block - Double Row | 45-42548-02 | 45-42548-02 | 45-42548-02 |
| 58b | | Terminal Block - Power Block | 45-41765-01 | 45-41765-01 | 45-41765-01 |
| 58c | | Ground Lug | 45-19000-02 | 45-19000-02 | 45-19000-02 |
| 59 | Stk | Contactora - Blower | 42-22464-01 | 42-22464-01 | 42-22464-01 |
| 60 | | Run Capacitor | | See Fan Group | |
| | | High Pressure Control | | See Coil Group | |
| | | Low Pressure Control | | See Coil Group | |
| 61 | | Integrated Furnace Control | 47-102884-01 | 47-102884-01 | 47-102884-01 |
| 62 | Stk | Compressor Contactor (2) | 42-22464-02 | 42-22464-02 | 42-22464-04 |
| WIRING HARNESES: | | | | | |
| | | Wiring Harness - Motor #1 | | See Fan Group | |
| | | Wiring Harness - Motor #2 | | See Fan Group | |
| | | Plug Harness - Compressor | | See Compressor Group | |
| | | Wirng Harness - Main Power | 45-42522-92 | 45-42522-92 | 45-42522-92 |
| | | Bypass Plug - Economizer 12 Pin | AS-61997-55 | AS-61997-55 | AS-61997-55 |
| | | Wiring Harness - 6 Pin to Heater Kit | 45-42522-91 | 45-42522-91 | 45-42522-91 |
| | | Wiring Harness - Economizer (12 pin to 9 pin) | 45-42522-89 | 45-42522-89 | 45-42522-89 |
| | | High/Low Pressure Switch Assembly (Includes both Switches and Wiring Harness) | | See Coil Group | |

| No. | Notes | MODEL COOLING CAPACITY VARIATION | PCG 072/073 A-3L | PCG 085 A-3L | PCG 090 A-3L | PCG 102 A-3L | PCG 120 A-3L |
|------------------|-------|--|------------------------|--------------------|--------------------|--------------------|--------------------|
| FAN GROUP | | | | | | | |
| 52 | Stk | Fan Motor (2) | 51-42534-24 | 51-42534-24 | 51-42534-24 | 51-42534-24 | 51-42534-24 |
| | | Wiring Harness - Motor #1 (7 wire) | 45-102706-01 | 45-102706-01 | 45-102706-01 | 45-102706-01 | 45-102706-01 |
| | | Wiring Harness - Motor #2 (5 wire) | 45-102706-02 | 45-102706-02 | 45-102706-02 | 45-102706-02 | 45-102706-02 |
| 53 | Stk | Fan Blade (2) | 70-42572-04 | 70-42572-04 | 70-42572-04 | 70-42572-04 | 70-42572-04 |
| 60 | Stk | Capacitor - Fan Motor (2) | 43-100496-12 | 43-100496-12 | 43-100496-12 | 43-100496-12 | 43-100496-12 |

| No. | Notes | MODEL COOLING CAPACITY VARIATION | PCG 072/073 A-4L | PCG 085 A-4L | PCG 090 A-4L | PCG 102 A-4L | PCG 120 A-4L |
|------------------|-------|--|------------------------|--------------------|--------------------|--------------------|--------------------|
| FAN GROUP | | | | | | | |
| 52 | Stk | Fan Motor (2) | 51-42534-25 | 51-42534-25 | 51-42534-25 | 51-42534-25 | 51-42534-25 |
| | | Wiring Harness - Motor #1 (7 wire) | 45-102706-01 | 45-102706-01 | 45-102706-01 | 45-102706-01 | 45-102706-01 |
| | | Wiring Harness - Motor #2 (5 wire) | 45-102706-02 | 45-102706-02 | 45-102706-02 | 45-102706-02 | 45-102706-02 |
| 53 | Stk | Fan Blade (2) | 70-42572-04 | 70-42572-04 | 70-42572-04 | 70-42572-04 | 70-42572-04 |
| 60 | Stk | Capacitor - Fan Motor (2) | 43-100496-12 | 43-100496-12 | 43-100496-12 | 43-100496-12 | 43-100496-12 |

| No. | Notes | MODEL COOLING CAPACITY VARIATION | | | | PCG 150 A-3L | PCG 151 A-3L |
|------------------|-------|--|--|--|--|--------------------|--------------------|
| FAN GROUP | | | | | | | |
| 52 | Stk | Fan Motor (2) | | | | 51-42534-29 | 51-42534-29 |
| | | Wiring Harness - Motor #1 (7 wire) | | | | 45-102706-03 | 45-102706-03 |
| | | Wiring Harness - Motor #2 (5 wire) | | | | 45-102706-04 | 45-102706-04 |
| 53 | Stk | Fan Blade (2) | | | | 70-42502-03 | 70-103693-01 |
| 60 | Stk | Capacitor - Fan Motor (2) | | | | 43-100496-17 | 43-100496-17 |

| No. | Notes | MODEL COOLING CAPACITY VARIATION | | | | PCG 150 A-4L | PCG 151 A-4L |
|------------------|-------|--|--|--|--|--------------------|--------------------|
| FAN GROUP | | | | | | | |
| 52 | Stk | Fan Motor (2) | | | | 51-42534-28 | 51-42534-28 |
| | | Wiring Harness - Motor #1 (7 wire) | | | | 45-102706-03 | 45-102706-03 |
| | | Wiring Harness - Motor #2 (5 wire) | | | | 45-102706-04 | 45-102706-04 |
| 53 | Stk | Fan Blade (2) | | | | 70-42502-03 | 70-103693-01 |
| 60 | Stk | Capacitor - Fan Motor (2) | | | | 43-100496-12 | 43-100496-12 |

| No. | Notes | MODEL COOLING CAPACITY VARIATION | PCG 180/210 A-3L | PCG 240 A-3L | PCG 300 A-3L |
|------------------|-------|--|------------------------|---------------------|---------------------|
| FAN GROUP | | | | | |
| 52 | Stk | Fan Motor | 51-42534-24 (4) | 51-42534-24 (6) | 51-42534-24 (6) |
| | | Wiring Harness - Motor #1 & #4 | 45-42522-71 | 45-42522-71 | 45-42522-71 |
| | | Wiring Harness - Motor #2 & #5 | N/A | 45-42522-70 | 45-42522-70 |
| | | Wiring Harness - Motor #3 & #6 | 45-42522-69 | 45-42522-69 | 45-42522-69 |
| 53 | Stk | Fan Blade | 70-42572-04 (4) | 70-42572-04 (6) | 70-42572-04 (6) |
| 60 | Stk | Run Capacitor | 43-100496-12 (4) | 43-100496-12 (6) | 43-100496-12 (6) |

| No. | Notes | MODEL COOLING CAPACITY VARIATION | PCG 180/210 A-4L | PCG 240 A-4L | PCG 300 A-4L |
|------------------|-------|--|------------------------|---------------------|---------------------|
| FAN GROUP | | | | | |
| 52 | Stk | Fan Motor | 51-42534-25 (4) | 51-42534-25 (6) | 51-42534-25 (6) |
| | | Wiring Harness - Motor #1 & #4 | 45-42522-71 | 45-42522-71 | 45-42522-71 |
| | | Wiring Harness - Motor #2 & #5 | N/A | 45-42522-70 | 45-42522-70 |
| | | Wiring Harness - Motor #3 & #6 | 45-42522-69 | 45-42522-69 | 45-42522-69 |
| 53 | Stk | Fan Blade | 70-42572-04 (4) | 70-42572-04 (6) | 70-42572-04 (6) |
| 60 | Stk | Run Capacitor | 43-100496-12 (4) | 43-100496-12 (6) | 43-100496-12 (6) |

| No. | Notes | MODEL COOLING CAPACITY VARIATION | PCG 072/073 A-3L / A-4L | PCG 085 A-3L / A-4L | PCG 090 A-3L / A-4L | PCG 102 A-3L / A-4L | PCG 120 A-3L / A-4L | PCG 150 A-3L / A-4L |
|---|-------|--|-------------------------------|---------------------------|---------------------------|---------------------------|---------------------------|---------------------------|
| BLOWER ASSEMBLY GROUP - BELT DRIVE | | | | | | | | |
| 64 | Stk | Blower Assembly (w/o Motor Mount, Belt, Fixed Sheave, and Key) | AS-102711-02 | AS-90757-01 | AS-90757-01 | AS-90757-01 | AS-90757-01 | AS-90757-01 |
| 65 | Stk | Blower Wheel | 70-21773-01 | 70-42540-02 | 70-42540-02 | 70-42540-02 | 70-42540-02 | 70-42540-02 |
| 66 | | Bearing Frame Tri-Arm (2) | 70-41723-02 | 70-42540-05 | 70-42540-05 | 70-42540-05 | 70-42540-05 | 70-42540-05 |
| 67 | | Bearing with Bearing Lock (2) | 70-41911-01 | 70-41854-02 | 70-41854-02 | 70-41854-02 | 70-41854-02 | 70-41854-02 |
| 68 | Stk | Blower Shaft | 70-21933-02 | 70-42540-04 | 70-42540-04 | 70-42540-04 | 70-42540-04 | 70-42540-04 |
| 69 | | Blower Mounting Angles (2) | AE-90708-01 | AE-90708-01 | AE-90708-01 | AE-90708-01 | AE-90708-01 | AE-90708-01 |
| | | Blower Angle Stop | AE-90709-02 | AE-90709-02 | AE-90709-02 | AE-90709-02 | AE-90709-02 | AE-90709-02 |
| 70 | | Motor Mount | AE-90710-05 | AE-90710-04 | AE-90710-04 | AE-90710-04 | AE-90710-04 | AE-90710-04 |
| 71 | Stk | Blower Motor - C/D Voltages | 51-41936-03 | 51-42536-01 | 51-42536-01 | 51-42537-01 | 51-42537-01 | 51-42498-07 |
| 72 | Stk | Variable Sheave | 71-40427-25 | 71-42538-02 | 71-42538-02 | 71-42538-02 | 71-42538-02 | 71-40427-11 |
| 73 | Stk | Belt | 71-40235-48 | 71-40438-27 | 71-40438-27 | 71-40438-23 | 71-40438-23 | 71-40438-31 |
| 74 | Stk | Fixed Sheave | 71-100772-03 | 71-100774-02 | 71-100774-02 | 71-100774-04 | 71-100774-04 | 71-26254-06 |
| | | Key | 94-22030-01 | 94-42551-09 | 94-42551-09 | 94-42551-09 | 94-42551-09 | 94-42551-09 |
| | Stk | Bushing for Sheave w/Screws | N/A | 71-100773-01 | 71-100773-01 | 71-100773-01 | 71-100773-01 | 71-100773-01 |

| No. | Notes | MODEL COOLING CAPACITY VARIATION | | | | | | PCG 151 A-3L / A-4L |
|---|-------|--|--|--|--|--|--|---------------------------|
| BLOWER ASSEMBLY GROUP - BELT DRIVE | | | | | | | | |
| 64 | Stk | Blower Assembly (w/o Motor Mount, Belt, Fixed Sheave, and Key) | | | | | | AS-90757-01 |
| 65 | Stk | Blower Wheel | | | | | | 70-42540-02 |
| 66 | | Bearing Frame Tri-Arm (2) | | | | | | 70-42540-05 |
| 67 | | Bearing with Bearing Lock (2) | | | | | | 70-41854-02 |
| 68 | Stk | Blower Shaft | | | | | | 70-42540-04 |
| 69 | | Blower Mounting Angles (2) | | | | | | AE-90708-01 |
| | | Blower Angle Stop | | | | | | AE-90709-02 |
| 70 | | Motor Mount | | | | | | AE-90710-04 |
| 71 | Stk | Blower Motor - C/D Voltages | | | | | | 51-102826-06 |
| 72 | Stk | Variable Sheave | | | | | | 71-40427-11 |
| 73 | Stk | Belt | | | | | | 71-40438-31 |
| 74 | Stk | Fixed Sheave | | | | | | 71-26254-06 |
| | | Key | | | | | | 94-42551-09 |
| | Stk | Bushing for Sheave w/Screws | | | | | | 71-100773-01 |

| No. | Notes | MODEL COOLING CAPACITY VARIATION | PCG 180/210 A-3L / A-4L | PCG 240 A-3L / A-4L | PCG 300 A-3L / A-4L |
|---|-------|---|-------------------------------|---------------------------|---------------------------|
| BLOWER ASSEMBLY GROUP - BELT DRIVE | | | | | |
| 64 | Stk | Blower Assembly (includes Bearing Frame and Blower Wheel) (2) | AS-90757-06 | AS-90757-06 | AS-90757-06 |
| 65 | Stk | Blower Wheel (2) | 70-42564-02 | 70-42564-02 | 70-42564-02 |
| 66 | | Bearing Frame Tri-Arm (4) | 70-42284-04 | 70-42284-04 | 70-42284-04 |
| 67 | | Bearing with Bearing Lock (4) | 70-41854-02 | 70-41854-02 | 70-41854-02 |
| 68 | Stk | Blower Shaft | 70-42564-03 | 70-42564-03 | 70-42564-03 |
| 69 | | Blower Connector Angles (3) | AE-90798-01 | AE-90798-01 | AE-90798-01 |
| 70 | | Motor Mount | AE-90710-03 | AE-90710-03 | AE-90710-03 |
| 71 | Stk | Blower Motor - C/D Voltages | 51-102826-01 | 51-102826-02 | 51-102826-03 |
| 72 | Stk | Variable Sheave | 71-40427-04 | 71-40427-59 | 71-40427-60 |
| 73 | Stk | Belt | 71-40438-46 | 71-40438-54 | 71-102847-01 |
| 74a | Stk | Fixed Sheave | 71-100774-08 | 71-100774-06 | 71-100774-07 |
| 74b | | Key | 94-42551-09 | 94-42551-09 | 94-42551-09 |
| 74c | Stk | Bushing for Sheave w/Screws | 71-100773-01 | 71-100773-01 | 71-100773-01 |

| No. | Notes | MODEL COOLING CAPACITY VARIATION | PCG | PCG | PCG | PCG |
|-------------------------------|-------|---|---------------------|---------------------|---------------------|---------------------|
| | | | 072 A-3L / A-4L | 073 A-3L / A-4L | 085 A-3L / A-4L | 090 A-3L / A-4L |
| COIL GROUP | | | | | | |
| EVAPORATOR COIL GROUP: | | | | | | |
| 42 | Stk | Evaporator Coil | AS-90656-70 | AS-90656-88 | AS-90656-76 | AS-90656-68 |
| | Stk | Distributor / Flowcheck Piston Assembly | 61-102809-94 | N/A | 61-102912-98 | N/A |
| | Stk | Flowcheck Piston Kit | 61-25414-94 | N/A | N/A | N/A |
| | Stk | Flowcheck Distributor | 61-26113-35 | N/A | N/A | N/A |
| | | TXV - Circuit #1 | N/A | 61-101351-13 | N/A | 61-101351-11 |
| | | TXV - Circuit #2 | N/A | N/A | N/A | 61-101351-11 |
| | | Bulb Strap Kit - TXV (2) | N/A | N/A | N/A | 64-101357-01 |
| 43 | Stk | Drain Pan - Removable | 68-102699-02 | 68-102699-02 | 68-102699-02 | 68-102699-02 |
| FILTER PIECES: | | | | | | |
| 44 | | Filter Frame | AE-90606-11 | AE-90606-11 | AE-90606-11 | AE-90606-11 |
| 45 | | Air Stop - Bottom | AE-102712-10 | AE-102712-10 | AE-102712-10 | AE-102712-10 |
| 46 | | Air Stop - Side | AE-102712-06 | AE-102712-06 | AE-102712-06 | AE-102712-06 |
| 47 | | Top Air Stop Assembly | AS-90604-06 | AS-90604-06 | AS-90604-06 | AS-90604-06 |
| 48 | | Filter Channel (2) | AE-102712-08 | AE-102712-08 | AE-102712-08 | AE-102712-08 |
| 49 | | Filter Slide (2) | AE-102712-11 | AE-102712-11 | AE-102712-11 | AE-102712-11 |
| 50 | | Filter (6) | 54-42541-01 | 54-42541-01 | 54-42541-01 | 54-42541-01 |
| CONDENSER COIL: | | | | | | |
| 37a | Stk | Condenser Coil | AS-102704-03 | AS-102704-03 | AS-102704-03 | AS-102704-03 |
| 37b | Stk | Condenser Coil | N/A | N/A | AS-102839-03 | AS-102704-03 |
| 38 | | Front Air Stop | AE-90706-19 | AE-90706-19 | AE-90706-19 | AE-90706-19 |
| 39 | | Rear Air Stop | AE-90706-18 | AE-90706-18 | AE-90706-18 | AE-90706-18 |
| 40a,b | | Bottom Retainer (2) | N/A | N/A | N/A | AE-90700-03 |
| 40a | | Micro-Channel Coil Mounting Base - Left | N/A | N/A | N/A | N/A |
| 40b | | Micro-Channel Coil Mounting Base - Right | N/A | N/A | N/A | N/A |
| 41a | | Top Support - Condenser Coil | N/A | N/A | AE-90612-09 | AE-90612-09 |
| 41b | | Top Support - Condenser Bulkhead | N/A | N/A | AE-90612-19 | AE-90612-03 |
| | | Filter Drier - Liquid Line | 83-22755-05 (1) | 83-22755-05 (1) | 83-40386-07 (1) | 83-22755-05 (2) |
| | | Strap - Filter Drier | N/A | N/A | N/A | AE-102132-01 (2) |
| | Stk | High Pressure Control | 47-23699-05 | 47-23699-05 | 47-23699-05 | 47-23699-05 |
| | Stk | Low Pressure Control - Before F2710 | 47-101529-05 (1) | N/A | 47-101529-05 (1) | 47-101529-05 (2) |
| | Stk | Low Pressure Control - After F2710 | 47-101529-09 (1) | 47-101529-09 (1) | 47-101529-09 (1) | 47-101529-09 (2) |
| | | High/Low Pressure Switch Assembly (Includes both switches and Wiring Harness) | AS-102877-01 | AS-102877-01 | AS-102877-01 | AS-102877-01 |

| No. | Notes | MODEL COOLING CAPACITY VARIATION | PCG | PCG | PCG |
|-------------------------------|-------|---|---------------------|---------------------|---------------------|
| | | | 102 A-3L / A-4L | 120 A-3L / A-4L | 150 A-3L / A-4L |
| COIL GROUP | | | | | |
| EVAPORATOR COIL GROUP: | | | | | |
| 42 | Stk | Evaporator Coil | AS-90656-77 | AS-90656-69 | AS-90656-75 |
| | Stk | Distributor / Flowcheck Piston Assembly | N/A | N/A | N/A |
| | Stk | Flowcheck Piston Kit | N/A | N/A | N/A |
| | Stk | Flowcheck Distributor | N/A | N/A | N/A |
| | | TXV - Circuit #1 | 61-101351-12 | 61-101351-13 | 61-101351-14 |
| | | TXV - Circuit #2 | 61-101351-12 | 61-101351-13 | 61-101351-14 |
| | | Bulb Strap Kit - TXV (2) | 64-101357-01 | 64-101357-01 | 64-101357-01 |
| 43 | Stk | Drain Pan - Removable | 68-102699-02 | 68-102699-02 | 68-102699-02 |
| FILTER PIECES: | | | | | |
| 44 | | Filter Frame | AE-90606-11 | AE-90606-11 | AE-90606-11 |
| 45 | | Air Stop - Bottom | AE-102712-10 | AE-102712-10 | AE-102712-10 |
| 46 | | Air Stop - Side | AE-102712-06 | AE-102712-06 | AE-102712-06 |
| 47 | | Top Air Stop Assembly | AS-90604-06 | AS-90604-06 | AS-90604-06 |
| 48 | | Filter Channel (2) | AE-102712-08 | AE-102712-08 | AE-102712-08 |
| 49 | | Filter Slide (2) | AE-102712-11 | AE-102712-11 | AE-102712-11 |
| 50 | | Filter (6) | 54-42541-01 | 54-42541-01 | 54-42541-01 |
| CONDENSER COIL: | | | | | |
| 37a | Stk | Condenser Coil | AS-90656-25 | AS-90656-42 | 65-101478-01 |
| 37b | Stk | Condenser Coil | AS-90656-25 | AS-90656-42 | 65-101478-01 |
| 38 | | Front Air Stop | AE-90706-19 | AE-90706-19 | N/A |
| 39 | | Rear Air Stop | AE-90706-18 | AE-90706-18 | N/A |
| 40a,b | | Bottom Retainer (2) | AE-90700-02 | AE-90700-02 | N/A |
| 40a | | Micro-Channel Coil Mounting Base - Left | N/A | N/A | 68-102752-01 |
| 40b | | Micro-Channel Coil Mounting Base - Right | N/A | N/A | 68-102752-02 |
| 41a | | Top Support - Condenser Coil | AE-90612-02 | AE-90612-02 | AE-90612-13 |
| 41b | | Top Support - Condenser Bulkhead | AE-90612-03 | AE-90612-03 | AE-90612-05 |
| | | Filter Drier - Liquid Line | 83-22755-05 (2) | 83-22755-05 (2) | 83-22755-05 (2) |
| | | Strap - Filter Drier | AE-102132-01 (2) | AE-102132-01 (2) | AE-102132-01 (2) |
| | Stk | High Pressure Control | 47-23699-05 | 47-23699-05 | 47-23699-05 |
| | Stk | Low Pressure Control - Before F2710 | 47-101529-05 (2) | 47-101529-05 (2) | 47-101529-05 (2) |
| | Stk | Low Pressure Control - After F2710 | 47-101529-09 (2) | 47-101529-09 (2) | 47-101529-09 (2) |
| | | High/Low Pressure Switch Assembly (Includes both switches and Wiring Harness) | AS-102877-01 | AS-102877-01 | AS-102877-01 |

| No. | Notes | MODEL COOLING CAPACITY VARIATION | PCG 151 A-3L / A-4L |
|-------------------------------|-------|---|---------------------------|
| COIL GROUP | | | |
| EVAPORATOR COIL GROUP: | | | |
| 42 | Stk | Evaporator Coil | AS-90656-75 |
| | Stk | Distributor / Flowcheck Piston Assembly | N/A |
| | Stk | Flowcheck Piston Kit | N/A |
| | Stk | Flowcheck Distributor | N/A |
| | | TXV - Circuit #1 | 61-101351-14 |
| | | TXV - Circuit #2 | 61-101351-14 |
| | | Bulb Strap Kit - TXV (2) | 64-101357-01 |
| 43 | Stk | Drain Pan - Removable | 68-102699-02 |
| FILTER PIECES: | | | |
| 44 | | Filter Frame | AE-90606-11 |
| 45 | | Air Stop - Bottom | AE-102712-10 |
| 46 | | Air Stop - Side | AE-102712-06 |
| 47 | | Top Air Stop Assembly | AS-90604-06 |
| 48 | | Filter Channel (2) | AE-102712-08 |
| 49 | | Filter Slide (2) | AE-102712-11 |
| 50 | | Filter (6) | 54-42541-01 |
| CONDENSER COIL: | | | |
| 37a | Stk | Condenser Coil | 65-101478-01 |
| 37b | Stk | Condenser Coil | 65-101478-01 |
| 38 | | Front Air Stop | N/A |
| 39 | | Rear Air Stop | N/A |
| 40a,b | | Bottom Retainer (2) | N/A |
| 40a | | Micro-Channel Coil Mounting Base - Left | 68-102752-01 |
| 40b | | Micro-Channel Coil Mounting Base - Right | 68-102752-02 |
| 41a | | Top Support - Condenser Coil | AE-90612-13 |
| 41b | | Top Support - Condenser Bulkhead | AE-90612-05 |
| | | Filter Drier - Liquid Line | 83-22755-05 (2) |
| | | Strap - Filter Drier | AE-102132-01 (2) |
| | Stk | High Pressure Control | 47-23699-05 |
| | Stk | Low Pressure Control - Before F2710 | 47-101529-05 (2) |
| | Stk | Low Pressure Control - After F2710 | 47-101529-09 (2) |
| | | High/Low Pressure Switch Assembly (Includes both switches and Wiring Harness) | AS-102877-01 |

| No. | Notes | MODEL COOLING CAPACITY VARIATION | PCG | PCG | PCG | PCG |
|-------------------------------|-------|---|---------------------|---------------------|---------------------|---------------------|
| | | | 180 A-3L / A-4L | 210 A-3L / A-4L | 240 A-3L / A-4L | 300 A-3L / A-4L |
| COIL GROUP | | | | | | |
| EVAPORATOR COIL GROUP: | | | | | | |
| 40 | | Air Flow Panel | AS-90828-02C | AS-90828-02C | AS-90828-02C | AS-90828-02C |
| 42 | Stk | Complete Coil - Indoor | AS-102821-03 | AS-102821-03 | AS-102652-03 | AS-102428-03 |
| | Stk | TXV/Distributor Assembly - Circuit #1 | 61-102845-01 | 61-102845-01 | 61-102687-01 | 61-102815-01 |
| | Stk | TXV/Distributor Assembly - Circuit #2 | 61-102845-01 | 61-102845-01 | 61-102687-01 | 61-102815-01 |
| 43 | Stk | Drain Pan - Removable | 68-102699-01 | 68-102699-01 | 68-102699-01 | 68-102699-01 |
| FILTER PIECES: | | | | | | |
| 44 | | Filter Frame | AE-90606-10 | AE-90606-10 | AE-90606-10 | AE-90606-10 |
| 45 | 1 | Air Stop - Bottom (Before F1811) - See Note 1 | AE-102712-05 | AE-102712-05 | AE-102712-05 | AE-102712-05 |
| 45 | | Air Stop - Bottom (After F1811) | AE-102712-17 | AE-102712-17 | AE-102712-17 | AE-102712-17 |
| 46 | 1 | Air Stop - Side (Before F1811) - See Note 1 | AE-102712-01 | AE-102712-01 | AE-102712-01 | AE-102712-01 |
| 46 | | Air Stop - Side (After F1811) | AE-102712-14 | AE-102712-14 | AE-102712-14 | AE-102712-14 |
| 47 | | Top Air Stop Assembly | AS-90604-04 | AS-90604-04 | AS-90604-04 | AS-90604-04 |
| 48 | 1 | Filter Channel (2) (Before F1811) - See Note 1 | AE-102712-03 | AE-102712-03 | AE-102712-03 | AE-102712-03 |
| 48 | | Filter Channel (2) (After F1811) | AE-102712-16 | AE-102712-16 | AE-102712-16 | AE-102712-16 |
| 49 | 1 | Filter Slide (2) (Before F1811) - See Note 1 | AE-102712-02 | AE-102712-02 | AE-102712-02 | AE-102712-02 |
| 49 | | Filter Slide (2) (After F1811) | AE-102712-15 | AE-102712-15 | AE-102712-15 | AE-102712-15 |
| 50 | | Filter - 20 in. x 25 in. x 2 in. (8) | 54-42541-04 | 54-42541-04 | 54-42541-04 | 54-42541-04 |
| CONDENSER COIL: | | | | | | |
| 37 | Stk | Condenser Coil Assembly (2) | AS-102647-03 | AS-103204-03 | AS-102666-03 | AS-102666-03 |
| 38a | | Air Stop - Front | AE-90706-13 | AE-90706-13 | AE-90706-13 | AE-90706-13 |
| 38b | | Corner Brace - Top Front | AS-90706-16C | AS-90706-16C | AS-90706-16C | AS-90706-16C |
| 38c | | Post - Front | AS-90706-14C | AS-90706-14C | AS-90706-14C | AS-90706-14C |
| 39a | | Air Stop - Rear | AE-90706-12 | AE-90706-12 | AE-90706-12 | AE-90706-12 |
| 39b | | Corner Brace - Top Rear | AS-90706-17C | AS-90706-17C | AS-90706-17C | AS-90706-17C |
| 39c | | Post - Rear | AS-90706-15C | AS-90706-15C | AS-90706-15C | AS-90706-15C |
| 41 | | Air Stop- Top Right | AS-90753-08C | AS-90753-08C | AS-90753-08C | AS-90753-08C |
| 41a | | Top Support - Inner Condenser Coil (2) | AE-90612-21 | AE-90612-08 | AE-90612-08 | AE-90612-08 |
| 41b | | Top Support - Outer Condenser Coil | AE-90612-20 | AE-90612-11 | AE-90612-11 | AE-90612-11 |
| 41c | | Top Support - Condenser Bulkhead | AE-90612-18 | AE-90612-06 | AE-90612-06 | AE-90612-06 |
| | | Filter Drier - Liquid Line (2) | 83-22755-11 | 83-22755-11 | 83-22755-11 | 83-22755-11 |
| | Stk | High Pressure Control | 47-23699-05 | 47-23699-05 | 47-23699-05 | 47-23699-05 |
| | Stk | Low Pressure Control - Before F2710 | 47-101529-05 (2) | 47-101529-05 (2) | 47-101529-05 (2) | 47-101529-05 (2) |
| | Stk | Low Pressure Control - After F2710 | 47-101529-09 (2) | 47-101529-09 (2) | 47-101529-09 (2) | 47-101529-09 (2) |
| | | High/Low Pressure Switch Assembly (Includes both Switches and Wiring Harness) | AS-102877-01 | AS-102877-01 | AS-102877-01 | AS-102877-01 |

| No. | Notes | MODEL COOLING CAPACITY VARIATION | PCG 072 A-3L | PCG 073 A-3L | PCG 085 A-3L | PCG 090 A-3L | PCG 102 A-3L | PCG 120 A-3L |
|-------------------------|-------|--|--------------------|--------------------|--------------------|--------------------|--------------------|--------------------|
| COMPRESSOR GROUP | | | | | | | | |
| | | Compressor ID: | 7916 | 8597 | 7910 | 7897 | 7940 | 7946 |
| 75 | Stk | Compressor | 55-102045-37S | 55-102471-21S | 55-102045-43S | 55-102045-08S | 55-102045-34S | 55-102045-27S |
| 75 | Stk | Compressor | N/A | N/A | N/A | 55-102045-08S | 55-102045-34S | 55-102045-27S |
| | Stk | Cranckcase Heater | 44-17402-10 | 44-17402-10 | 44-17402-10 | N/A | N/A | N/A |
| | | Plug Harness - Compressor | 45-102708-01 | 45-102708-01 | 45-102708-01 | 45-102708-01 | 45-102708-01 | 45-102708-01 |
| | | Plug Harness - Compressor | N/A | N/A | N/A | 45-102708-02 | 45-102708-02 | 45-102708-02 |

| No. | Notes | MODEL COOLING CAPACITY VARIATION | PCG 072 A-4L | PCG 073 A-4L | PCG 085 A-4L | PCG 090 A-4L | PCG 102 A-4L | PCG 120 A-4L |
|-------------------------|-------|--|--------------------|--------------------|--------------------|--------------------|--------------------|--------------------|
| COMPRESSOR GROUP | | | | | | | | |
| | | Compressor ID: | 7917 | 8598 | 7911 | 7898 | 7941 | 7947 |
| 75 | Stk | Compressor | 55-102045-38S | 55-102471-22S | 55-102045-45S | 55-102045-07S | 55-102045-35S | 55-102045-28S |
| 75 | Stk | Compressor | N/A | N/A | N/A | 55-102045-07S | 55-102045-35S | 55-102045-28S |
| | Stk | Cranckcase Heater | 44-17402-11 | 44-17402-11 | 44-17402-11 | N/A | N/A | N/A |
| | | Plug Harness - Compressor | 45-102708-01 | 45-102708-01 | 45-102708-01 | 45-102708-01 | 45-102708-01 | 45-102708-01 |
| | | Plug Harness - Compressor | N/A | N/A | N/A | 45-102708-02 | 45-102708-02 | 45-102708-02 |

| No. | Notes | MODEL COOLING CAPACITY VARIATION | | | | | PCG 150 A-3L | PCG 151 A-3L |
|-------------------------|-------|--|--|--|--|--|--------------------|--------------------|
| COMPRESSOR GROUP | | | | | | | | |
| | | Compressor ID: | | | | | 7900 | 8306 |
| 75 | Stk | Compressor | | | | | 55-102471-14S | 55-102471-14S |
| 75 | Stk | Compressor | | | | | 55-102471-18S | 55-102471-18S |
| | | Plug Harness - Compressor | | | | | 45-102708-03 | 45-102708-03 |
| | | Plug Harness - Compressor | | | | | 45-102708-04 | 45-102708-04 |

| No. | Notes | MODEL COOLING CAPACITY VARIATION | | | | | PCG 150 A-4L | PCG 151 A-4L |
|-------------------------|-------|--|--|--|--|--|--------------------|--------------------|
| COMPRESSOR GROUP | | | | | | | | |
| | | Compressor ID: | | | | | 7901 | 8307 |
| 75 | Stk | Compressor | | | | | 55-102471-16S | 55-102471-16S |
| 75 | Stk | Compressor | | | | | 55-102471-19S | 55-102471-19S |
| | | Plug Harness - Compressor | | | | | 45-102708-03 | 45-102708-03 |
| | | Plug Harness - Compressor | | | | | 45-102708-04 | 45-102708-04 |

| No. | Notes | MODEL COOLING CAPACITY VARIATION | PCG 180 A-3L | PCG 210 A-3L | PCG 240 A-3L | PCG 300 A-3L |
|-------------------------|-------|--|--------------------|--------------------|--------------------|--------------------|
| COMPRESSOR GROUP | | | | | | |
| | | Compressor: | 7882 | 8053 | 7885 | 7888 |
| 75 | Stk | Compressor | 55-23156-20S | 55-102471-03S | 55-102471-02S | 55-102471-13S |
| 75 | Stk | Compressor | 55-23156-20S | 55-102471-03S | 55-102471-03S | 55-102471-13S |
| | | Plug Harness - Compressor #1 | 45-42522-72 | 45-42522-72 | 45-42522-72 | 45-42522-72 |
| | | Plug Harness - Compressor #2 | 45-42522-73 | 45-42522-73 | 45-42522-73 | 45-42522-73 |
| | | High Pressure Control | 47-23699-05 | 47-23699-05 | 47-23699-05 | 47-23699-05 |
| | | Low Pressure Control | 47-101529-05 | 47-101529-05 | 47-101529-05 | 47-101529-05 |
| | | Harness - High/Low Pressure Switch Assembly (includes High and Low Switches) | AS-102877-01 | AS-102877-01 | AS-102877-01 | AS-102877-01 |

| No. | Notes | MODEL COOLING CAPACITY VARIATION | PCG 180 A-4L | PCG 210 A-4L | PCG 240 A-4L | PCG 300 A-4L |
|-------------------------|-------|--|--------------------|--------------------|--------------------|--------------------|
| COMPRESSOR GROUP | | | | | | |
| | | Compressor: | 7883 | 8054 | 7886 | 7889 |
| 75 | Stk | Compressor | 55-23156-21S | 55-102471-07S | 55-102471-07S | 55-102471-08S |
| 75 | Stk | Compressor | 55-23156-21S | 55-102471-07S | 55-102471-09S | 55-102471-08S |
| | | Plug Harness - Compressor #1 | 45-42522-72 | 45-42522-72 | 45-42522-72 | 45-42522-72 |
| | | Plug Harness - Compressor #2 | 45-42522-73 | 45-42522-73 | 45-42522-73 | 45-42522-73 |
| | | High Pressure Control | 47-23699-05 | 47-23699-05 | 47-23699-05 | 47-23699-05 |
| | | Low Pressure Control | 47-101529-05 | 47-101529-05 | 47-101529-05 | 47-101529-05 |
| | | Harness - High/Low Pressure Switch Assembly (includes High and Low Switches) | AS-102877-01 | AS-102877-01 | AS-102877-01 | AS-102877-01 |

| No. | Notes | MODEL COOLING CAPACITY VARIATION | PCG 072-151 A-3L | PCG 072-151 A-3L | PCG 072-151 A-3L | PCG 072-151 A-3L | PCG 072-151 A-3L |
|-----------------------------|-------|--|------------------------|------------------------|------------------------|------------------------|------------------------|
| ELECTRIC HEATER KITS | | | | | | | |
| | | Electric Element Kits - Option | RXJJ-CC10C | RXJJ-CC15C | RXJJ-CC20C | RXJJ-CC30C | RXJJ-CC31C |
| | | Electric Element Kits - Option | RXJJ-CC40C | RXJJ-CC41C | RXJJ-CC50C | RXJJ-CC51C | |

| No. | Notes | MODEL COOLING CAPACITY VARIATION | PCG 072-151 A-4L | PCG 072-151 A-4L | PCG 072-151 A-4L | PCG 072-151 A-4L | PCG 072-151 A-4L |
|-----------------------------|-------|--|------------------------|------------------------|------------------------|------------------------|------------------------|
| ELECTRIC HEATER KITS | | | | | | | |
| | | Electric Element Kits - Option | RXJJ-CC10D | RXJJ-CC15D | RXJJ-CC20D | RXJJ-CC30D | RXJJ-CC31D |
| | | Electric Element Kits - Option | RXJJ-CC40D | RXJJ-CC50D | RXJJ-CC51D | | |

| No. | Notes | MODEL COOLING CAPACITY VARIATION | PCG 180-300 A-3L | PCG 180-300 A-3L | PCG 180-300 A-3L | PCG 180-300 A-3L | |
|-----------------------------|-------|--|------------------------|------------------------|------------------------|------------------------|--|
| ELECTRIC HEATER KITS | | | | | | | |
| | | Electric Element Kits - Option | RXJJ-CE20C | RXJJ-CE40C | RXJJ-CE60C | RXJJ-CE75C | |

| No. | Notes | MODEL COOLING CAPACITY VARIATION | PCG 180-300 A-4L | PCG 180-300 A-4L | PCG 180-300 A-4L | PCG 180-300 A-4L | |
|-----------------------------|-------|--|------------------------|------------------------|------------------------|------------------------|--|
| ELECTRIC HEATER KITS | | | | | | | |
| | | Electric Element Kits - Option | RXJJ-CE20D | RXJJ-CE40D | RXJJ-CE60D | RXJJ-CE75D | |

| No. | Notes | MODEL COOLING CAPACITY VARIATION | PCG 072-151 A-3L / A-4L |
|--------------------|-------|--|-------------------------------|
| ACCESSORIES | | | |
| | | Carbon Dioxide Sensor | RXR-AR02 |
| | | Dual Enthalpy Kit | RXR-AV02 |
| | | Manual Fresh Air (Left Panel Mounted) | RXRF-KDA1 |
| | | Motor Kit for RXRF-KDA1 | RXR-AW02 |
| | | Manual Fresh Air (Return Panel) | RXRF-JDA1 |
| | | Motorized Fresh Air (Return Panel) | RXRF-JDB1 |
| | | Time Delay Relay - Option | RXMD-A04 |
| | | Freeze Stat - Option | RXR-AM01 |
| | | Convenience Outlet - Option | RXR-AN01 |
| | | Low Ambient Control Kit (1 Per Compressor) | RXRZ-C02 |

| No. | Notes | MODEL COOLING CAPACITY VARIATION | PCG 072-151 A-3L / A-4L |
|--------------------|-------|---|-------------------------------|
| ECONOMIZERS | | | |
| | | Economizer - Single Enthalpy | TXRD-PDCM3 |
| | | Economizer - Single Enthalpy w/Smoke Detector | TXRD-SDCM3 |
| | | Horizontal Economizer - Single Enthalpy | TXRD-RDCM3 |

| No. | Notes | MODEL COOLING CAPACITY VARIATION | PCG 072-151 A-3L / A-4L |
|----------------------|-------|--|-------------------------------|
| POWER EXHAUST | | | |
| | | Power Exhaust | RXR-BFF02C |
| | | Power Exhaust | RXR-BFF02D |

| | | | |
|--------------------|--------------|---|--|
| No. | Notes | MODEL TECHNICAL VARIATION COOLING CAPACITY | PCG 180-300 A-3L / A-4L |
| ACCESSORIES | | | |
| | | Carbon Dioxide Sensor | RXRX-AR02 |
| | | Dual Enthalpy Kit | RXRX-AV02 |
| | | Manual Fresh Air Damper | RXRF-KFA1 |
| | | Motorized Kit for RXRF-KFA1 | RXRX-AW03 |
| | | Freeze Stat Kit | RXRX-AM03 |
| | | Unwired Convenience Outlet | RXRX-AN01 |
| | | Low Ambient Control Kit (1 Per Compressor) | RXRZ-C02 |

| | | | |
|--------------------|--------------|---|--|
| No. | Notes | MODEL TECHNICAL VARIATION COOLING CAPACITY | PCG 180-300 A-3L / A-4L |
| ECONOMIZERS | | | |
| | | Downflow Economizer - Single Enthalpy | TXRD-PGCM3 |
| | | Downflow Economizer - Single Enthalpy w/Smoke Detector | TXRD-SGCM3 |
| | | Horizontal Economizer - Single Enthalpy | TXRD-RGCM3 |

| | | | |
|----------------------|--|---|--|
| No. | | MODEL TECHNICAL VARIATION COOLING CAPACITY | PCG 180-300 A-3L / A-4L |
| POWER EXHAUST | | | |
| | | Power Exhaust | RXRX-BGF05C |
| | | Power Exhaust | RXRX-BGF05D |
| | | Power Exhaust | RXRX-BGF05Y |



Exploded View 072-150



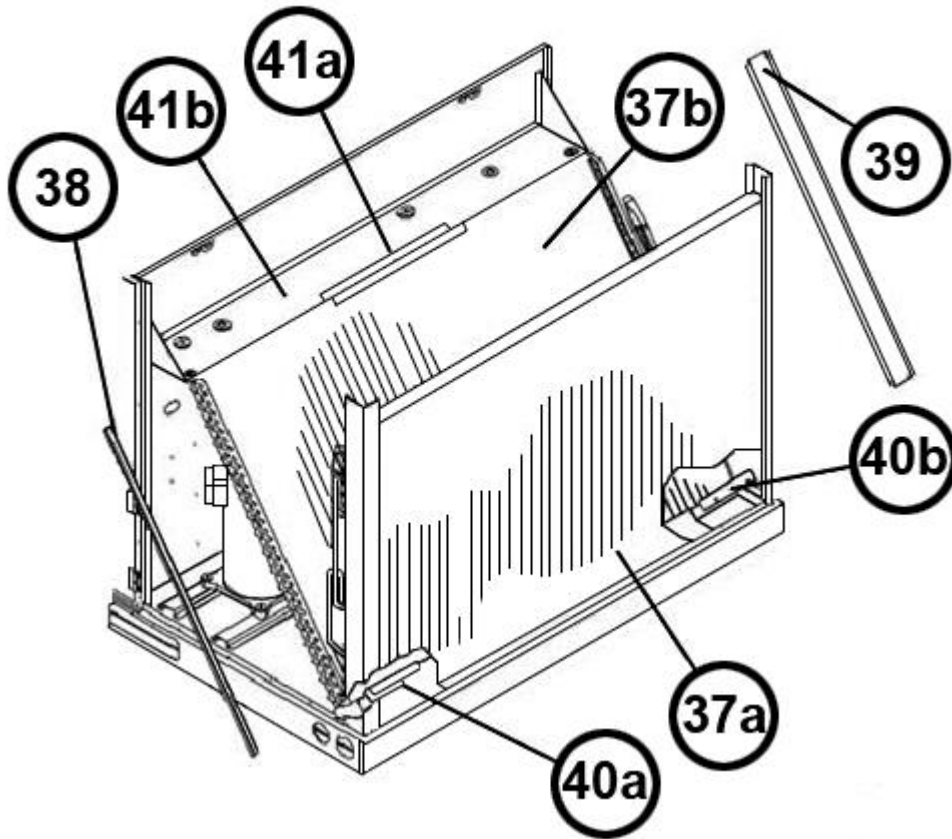
Exterior - Front 072-150



Exterior - Back 072-150



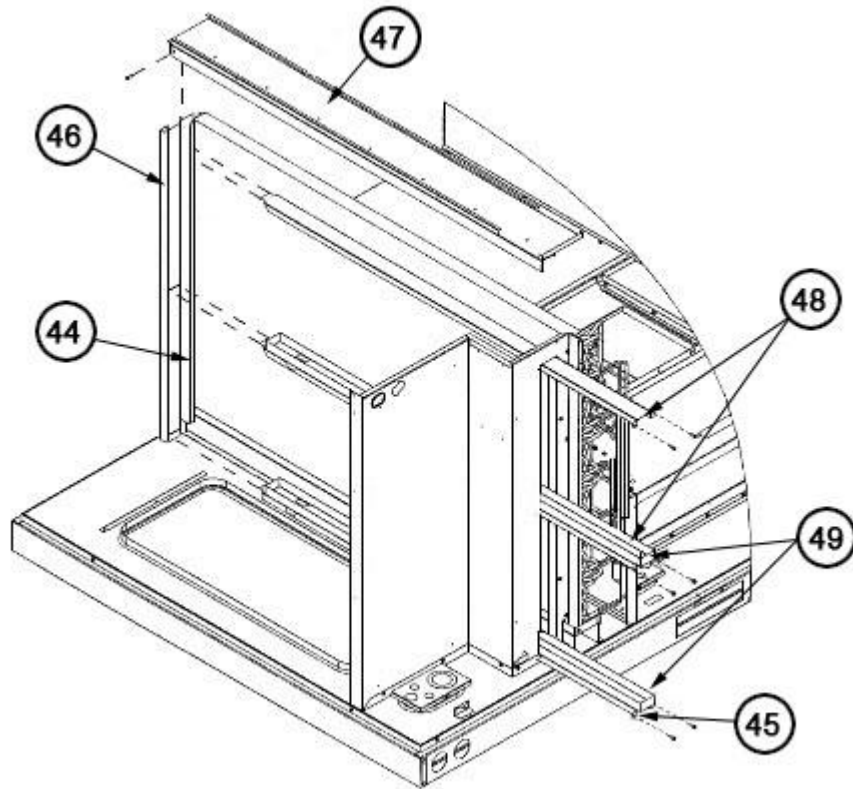
Filter-Coil Assembly 072-150



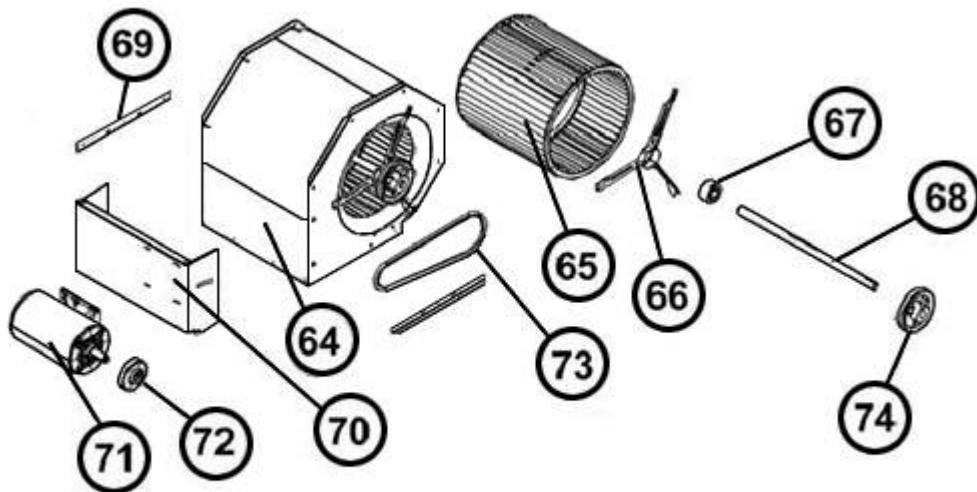
Condenser Coil Assembly 072-150



Front Panel Brackets 072-150



Filter Frame Assembly 072-150



Blower Assembly 072-150



Control Box 072-150



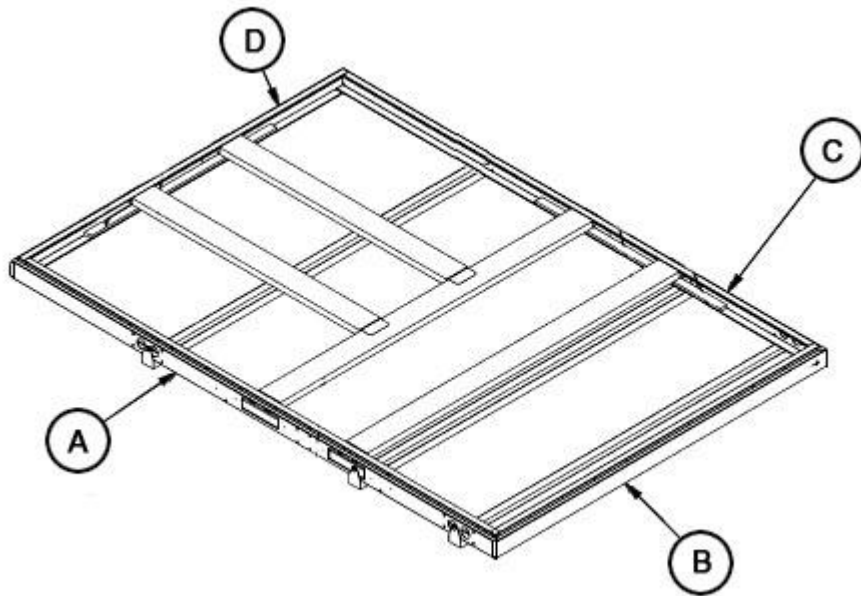
Exterior - Front 180-300



Exterior - Rear 180-300



Base Pan Assembly 180-300



Base Rail Assembly 180-300



Front Panel Brackets 180-300



Interior - Coil 180-300



Heat Compartment 180-300



Condenser Bulkhead 180-300



Filter Frame Assembly 180-300



Blower Assembly 180-300



Control Box 180-300



Electric Heat Block-Off 180-300

NOTES

Stk It is recommended that stock be maintained for this part.

N/A Not Applicable

- 1 Older (Before F1811) filter frame components are not individually compatible with newer (After F1811) filter frame components. Depending upon availability of older (Before F1811) components, it may be necessary to replace entire filter frame assembly (Air Stops - Bottom and Side, Filter Channels and Filter Slides) with the newer style (After F1811) components.