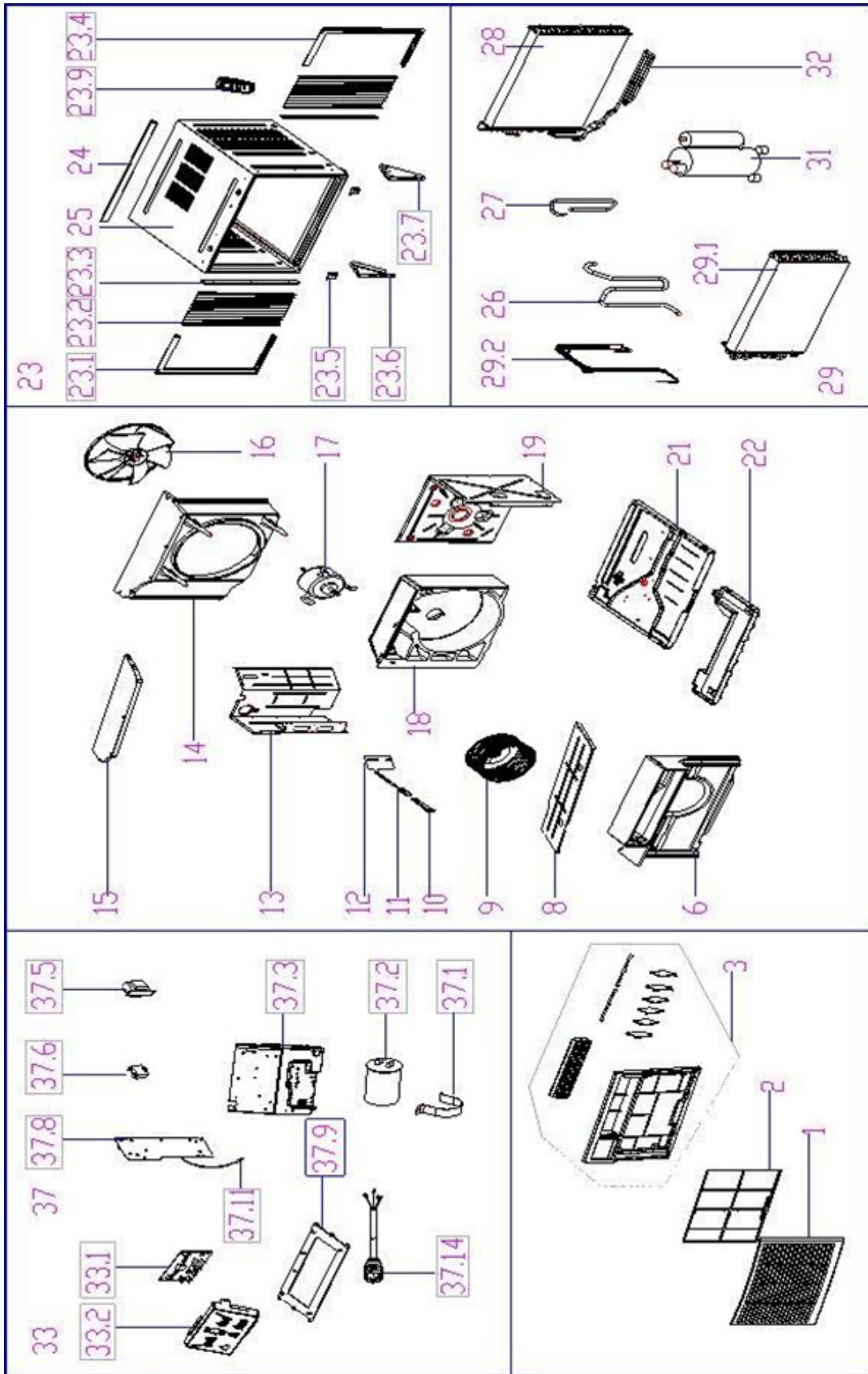


HEAT CONTROLLER, INC.

# **REPLACEMENT PARTS LIST**

## **Commercial Room Air Units CGRAD-283H**

# EXPLODED VIEW



# REPLACEMENT PARTS

Location	Part Name	Quantity	Part No.
1	Front panel	1	2011221A0233
2	Air filter	1	201122190038
3	Panel frame assembly	1	2011221A0229
3.6	Display box assembly	1	2033221A0104
3.6.1	Control panel	1	2011221A0235
3.6.2	Display board assembly	1	2013221A0009
6	Volute shell base	1	202222190002
8	Front cover	1	201222190101
9	Centrifugal fan	1	201100100829
10	Connecting rod of fresh air door	1	2011221A0234
11	Bracket of fresh air door	1	201122190017
12	Fresh air door	1	201122190012
13	Front left barrier	1	201222190120
14	Rear separating	1	201122190203
15	Rear cover	1	201122190007
16	Axial flow fan	1	201100320005
17	Asynchronous motor	1	202400430600
18	Rear volute shell assembly	1	202222190003
19	Front right barrier	1	201222190015
21	Chassis assembly	1	2012221A0008
22	Condenser water tray	1	202222190000
23	Installation accessory	1	2028220A0035
23.1	Left shutter frame	1	201122190072
23.2	Shutter	2	201122190070
23.3	Connecting bar of cabinet	2	201122190069
23.4	Right shutter frame	1	201122190071
23.5	Locking bar	2	201222190008
23.6	Left supporter	1	2012219A0020
23.7	Right bracket	1	2012219A0026
23.9	Remote controller	1	2033550A6383
24	Top shutter frame	1	2012221A0009
25	Cabinet assembly	1	2012221A0007
26	Suction pipe assembly	1	201622190234
27	Discharge pipe assembly	1	201622190209
28	Condenser assembly	1	201522190030
29	Evaporator coil assembly	1	201522190041
29.1	Evaporator	1	201522190042
29.2	Capillary assembly	1	201622190235
31	Compressor	1	201400601330
32	Super-cooling pipe	1	201622190197
37	Electronic control box assembly	1	203322190129
37.1	Capacitor clip	1	201200100011
37.2	Capacitor of compressor	1	202401000808
37.3	Electronic control box	1	201222190052
37.5	transformer	1	202300900140
37.6	Capacitor of fan motor	1	202401100967
37.8	Main control board assembly	1	2013221A0005
37.9	Bracket of main control board	1	201121890090
37.11	Ambient temperature sensor assembly	1	202301300210
37.14	Power cord	1	202402290016
40	Pipe temperature sensor assembly	1	202301300077

Design, material, performance data and components  
subject to change without notice.

## HEAT CONTROLLER, INC.

1900 Wellworth Ave., Jackson, MI 49203 ♦ Ph. 517-787-2100 ♦ Fax 517-787-9341

THE QUALITY LEADER IN CONDITIONING AIR

[www.heatcontroller.com](http://www.heatcontroller.com)