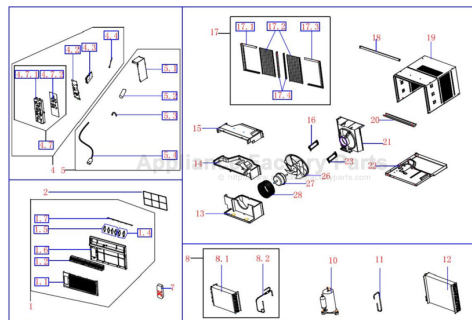


This Owner's Manual is provided and hosted by [Appliance Factory Parts](http://Appliance Factory Parts).



# COMFORT-AIRE CGRADS-81H Owner's Manual

[Shop genuine replacement parts for COMFORT-AIRE  
CGRADS-81H](#)



[Find Your COMFORT-AIRE HVAC Parts - Select From 1486 Models](#)

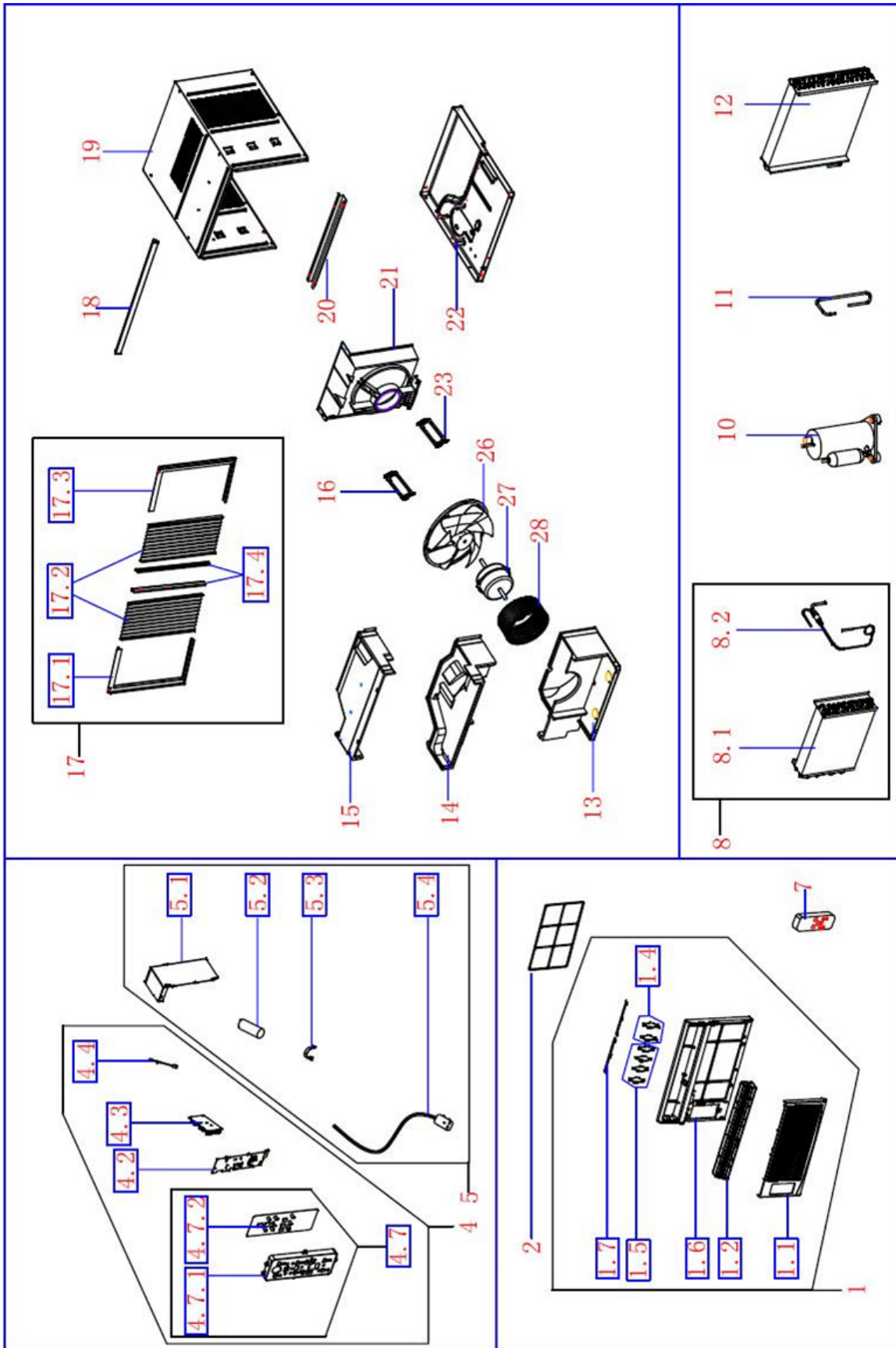
----- Manual continues below -----

HEAT CONTROLLER, INC.

# **REPLACEMENT PARTS LIST**

## **Commercial Room Air Units CGRADS-81H**

# EXPLODED VIEW



# REPLACEMENT PARTS

Location	Part Name	Quantity	Part No.
1	Panel assembly	1	2011213A0117
1.1	Front panel	1	2011213A0122
1.2	Horizontal louver	1	2011213A0124
1.4	Horizontal louver	2	2011213A0125
1.5	Horizontal louver	4	2011213A0126
1.6	Panel frame	1	2011213A0123
1.7	Connecting rod of louver	2	2011213A0127
2	Air filter	1	201121190029
4	Electronic control box assembly	1	2033213A0151
4.2	Cover of electronic control box	1	201220290016
4.3	Main control board assembly	1	201321590034
4.4	Ambient temperature sensor assembly	1	202433190000
4.7	Display box assembly	1	2033211A0170
4.7.1	Control panel	1	2011217A0807
5	Electronic control box assembly	1	203321390127
5.1	Cover of electronic control box	1	201221190070
5.2	Capacitor of compressor	1	202401400004
5.3	Capacitor clip	1	201200100002
5.4	Power cord	1	202402200111
7	Remote controller	1	2033550A6383
8	Evaporator coil assembly	1	201521390094
8.1	Evaporator	1	201521390082
8.2	Capillary assembly	1	201621390323
10	compressor	1	201401601250
11	Discharge pipe assembly	1	201621390321
12	Condenser assembly	1	201521390092
13	Volute shell (below)	1	202221390007
14	Mid volute shell	1	202221390008
15	Volute shell (above)	1	202220390007
16	Left linker of fan motor	1	201221390037
17	Installation accessory	1	2028213A0012
17.1	Left shutter frame	1	201121190177
17.2	Shutter	2	201121190180
17.3	Right shutter frame	1	201121190178
17.4	Locking bar of shutter	2	201121190179
18	Top shutter frame	1	201221390094
19	Cabinet	1	2012213A0028
20	Bottom shutter frame	1	201221390113
21	Rear separating	1	201121390107
22	Chassis assembly	1	2012213A0026
23	Right linker of fan motor	1	201221390038
26	Axial flow fan	1	201100300047
27	Asynchronous motor	1	202400401283
28	Centrifugal fan	1	201100100062

Design, material, performance data and components  
subject to change without notice.

## HEAT CONTROLLER, INC.

1900 Wellworth Ave., Jackson, MI 49203 • Ph. 517-787-2100 • Fax 517-787-9341

THE QUALITY LEADER IN CONDITIONING AIR

[www.heatcontroller.com](http://www.heatcontroller.com)