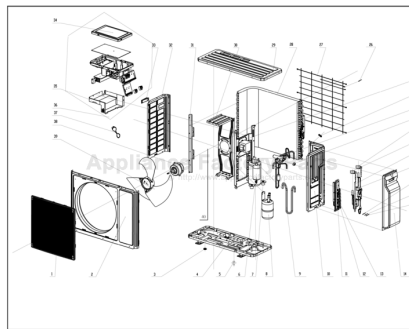


This Owner's Manual is provided and hosted by [Appliance Factory Parts](#).



# COMFORT-AIRE A-VFH24TA-1 Owner's Manual

[Shop genuine replacement parts for COMFORT-AIRE  
A-VFH24TA-1](#)



[Find Your COMFORT-AIRE HVAC Parts - Select From 1486 Models](#)

----- Manual continues below -----

---

*Comfort-Aire*®

Century®

**MARS**®  
Delivering Confidence

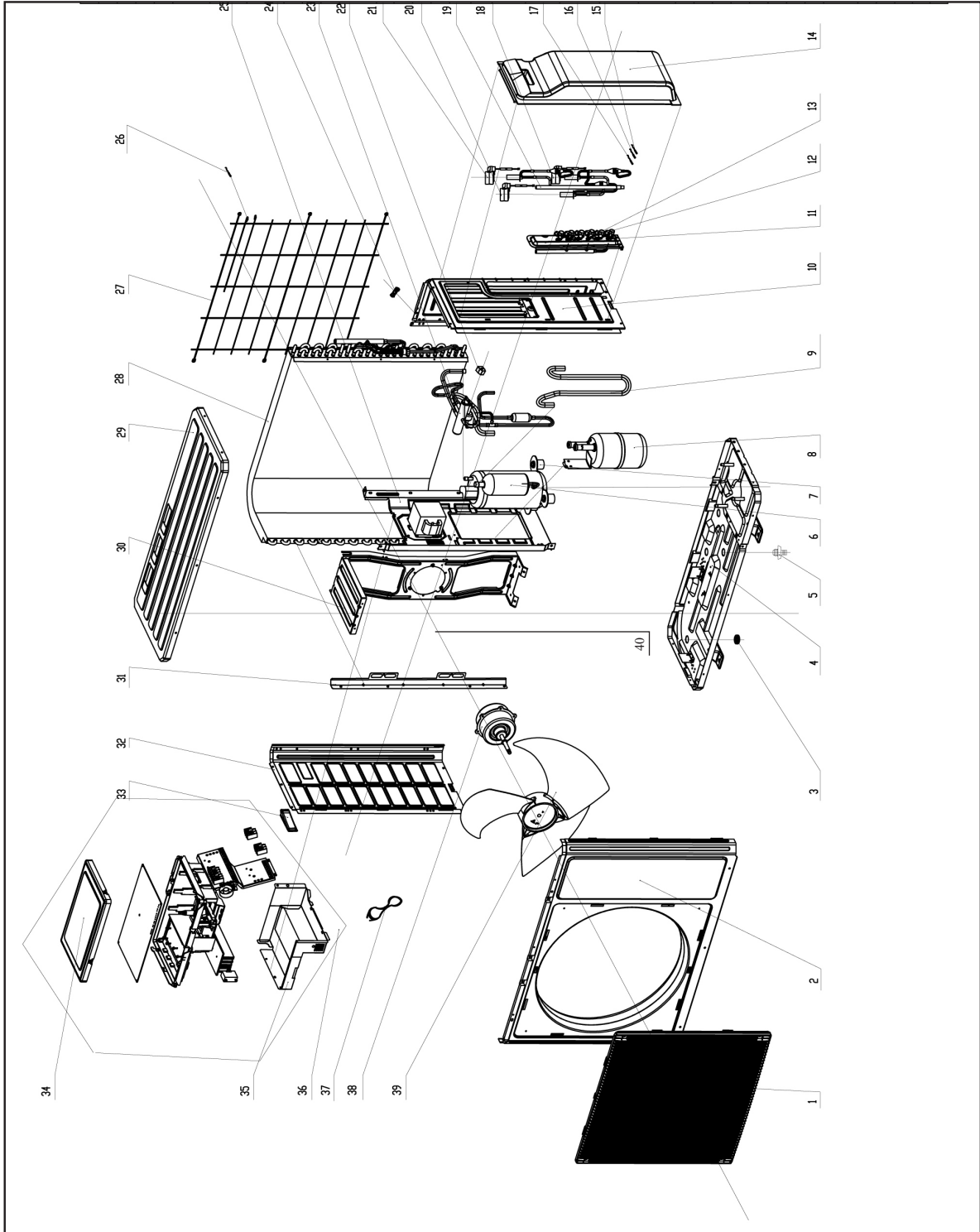
---

REPLACEMENT PARTS LIST

**InverterFlex Series®**  
**Outdoor Ductless Mini-Split**  
**Heat Pumps**

A-VFH24TA-1

# EXPLODED VIEW



## REPLACEMENT PARTS

Location	Part Name	Quantity	Part No.
1	Front Grill	1	01473049
2	Cabinet Assy	1	01433069
3	Drainage hole Cap	1	06813401
4	Chassis Sub-assy	1	02803068P
5	Drainage Connector	1	06123401
6	Compressor and Fittings	1	00105036
7	Compressor Gasket	1	76710207
8	Gas-liquid Separator Assy	1	07225017
9	Inhalation Tube	1	03723455
10	Right Side Plate	1	0130326801P
11	Valve Support Assy	1	0713395501
12	Cut off Valve	1	071302391
13	Cut off Valve	1	07130239
15	Temperature Sensor	1	3900007302
16	Temperature Sensor	1	3900007301
17	Temperature Sensor	1	39000073
18	Electric Expand Valve Fitting	1	4300008402
19	Electronic Expansion Valve assy	1	0713395601
20	Electric Expand Valve Fitting	1	4300008401
21	Electric Expand Valve Fitting	1	43000084
22	Magnet Coil	1	4300040045
23	4-Way Valve Assy	1	03123415
24	Wiring Clamp	1	26115004
25	Clapboard Assy	1	01233116
26	Temperature Sensor	1	3900030901
27	Rear Grill	1	01473043
28	Condenser Assy	1	01163875_L08294
29	Coping	1	01255005P
30	Motor Support Sub-Assy	1	0170512001
31	Condenser Support Plate	1	01173415
32	Left Side Plate	1	01305093P
35	Electric Box (Fireproofing)	1	01413148
36	Electric Box Assy	1	0260370301
38	Fan Motor	1	1501506304
39	Axial Flow Fan	1	10335008
38	Fan Motor	1	1501506304
39	Axial Flow Fan	1	10335008
40	Reactor	1	43120129
Not Shown	High Pressure Cutout Switch	1	460200061

---

Due to ongoing product improvements, specifications and dimensions are subject to change and correction without notice or incurring obligations. Determining the application and suitability for use of any product is the responsibility of the installer. Additionally, the installer is responsible for verifying dimensional data on the actual product prior to beginning any installation preparations.

Incentive and rebate programs have precise requirements as to product performance and certification. All products meet applicable regulations in effect on date of manufacture; however, certifications are not necessarily granted for the life of a product. Therefore, it is the responsibility of the applicant to determine whether a specific model qualifies for these incentive/rebate programs.

*Comfort-Cire*® **Century**®

1900 Wellworth Ave., Jackson, MI 49203 • Ph. 517-787-2100 • [www.marsdelivers.com](http://www.marsdelivers.com)

