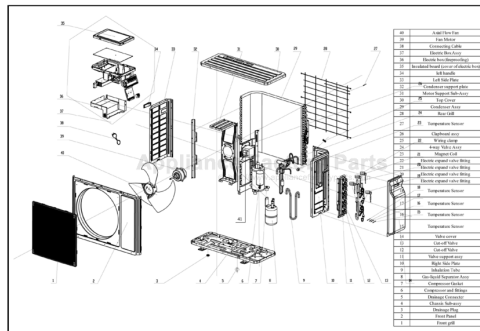


This Owner's Manual is provided and hosted by [Appliance Factory Parts](#).



# COMFORT-AIRE A-VFH30QA-1 Owner's Manual

[Shop genuine replacement parts for COMFORT-AIRE  
A-VFH30QA-1](#)



[Find Your COMFORT-AIRE HVAC Parts - Select From 1486 Models](#)

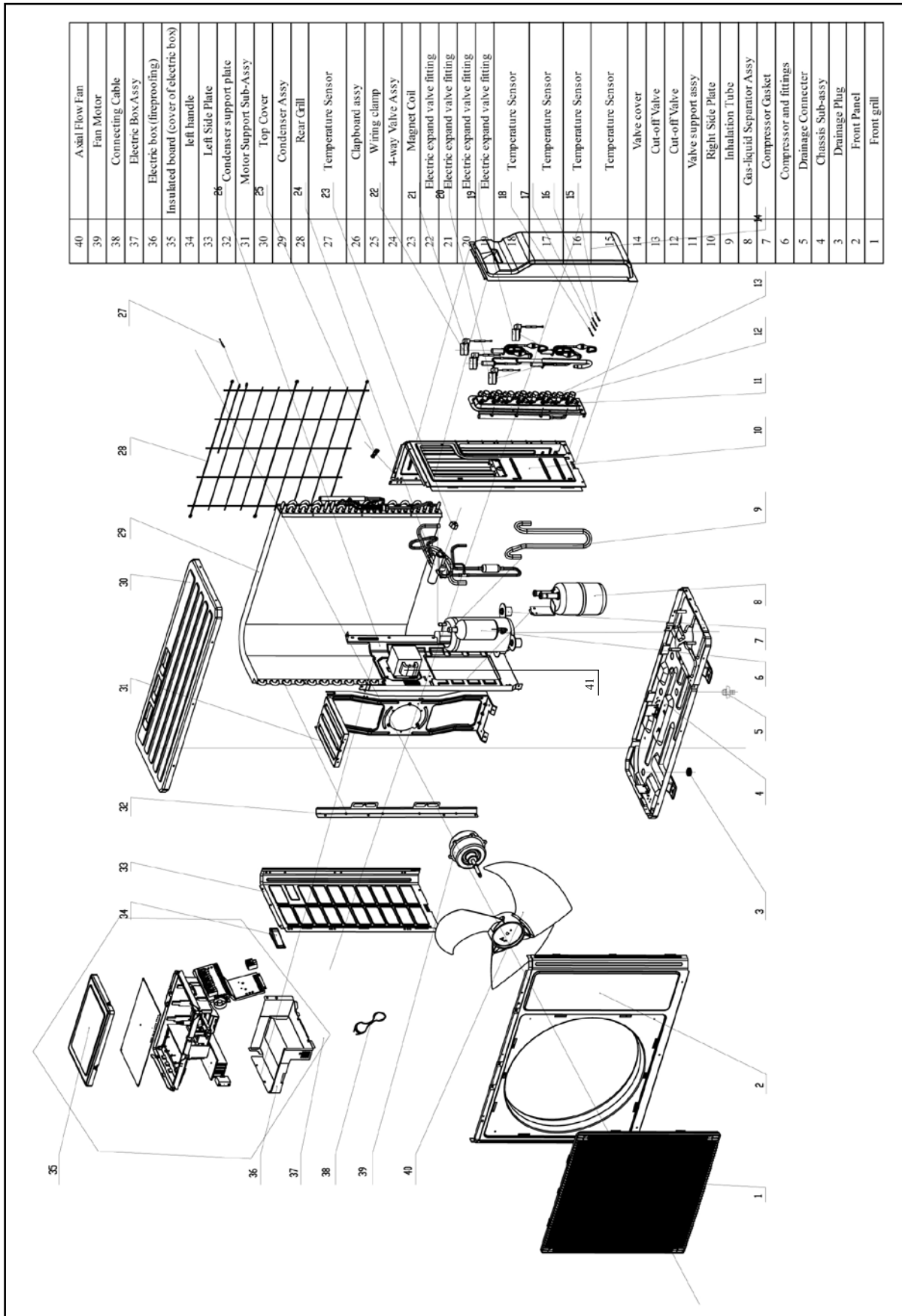
----- Manual continues below -----

HEAT CONTROLLER

**REPLACEMENT  
PARTS LIST**

**InverterFlex Series®  
Outdoor Ductless Mini-Split  
A-VFH30QA-1  
Heat Pumps**

# EXPLODED VIEW



# REPLACEMENT PARTS

Location	Part Name	Quantity	Part No.
1	Front Grill	1	01473049
2	Cabinet Assy	1	01433069
4	Chassis Sub-assy	1	02803068P
5	Drainage Connector	1	06123401
6	Compressor and Fittings	1	00105036
7	Compressor Gasket	3	76710207
8	Gas-liquid Separator Assy	1	07225017
9	Inhalation Tube	1	03723455
10	Right Side Plate	1	0130326801P
11	Valve Support Assy	1	07133955
12	Cut off Valve (vapor valve)	1	071302391
13	Cut off Valve (liquid valve)	1	07130239
15	Temperature Sensor	1	3900007303
16	Temperature Sensor	1	3900007302
17	Temperature Sensor	1	3900007301
18	Temperature Sensor	1	39000073
19	Electric Expand Valve Fitting	1	4300008403
20	Electric Expand Valve Fitting	1	4300008402
21	Electric Expand Valve Fitting	1	4300008401
22	Electric Expand Valve Fitting	1	43000084
23	Magnet Coil	1	4300040045
24	4-Way Valve Assy	1	03123415
25	Wiring Clamp	1	26115004
26	Clapboard Assy	1	01233116
27	Temperature Sensor	1	3900030901
28	Rear Grill	1	01473043
29	Condenser Assy	1	01163875_L08294
30	Coping	1	01255005P
31	Motor Support Sub-Assy	1	0170512001
32	Condenser Support Plate	1	01173415
33	Left Side Plate	1	01305093P
36	Electric Box (Fireproofing)	1	01413148
37	Electric Box Assy	1	02603703
39	Fan Motor	1	1501506304
40	Axial Flow Fan	1	10335008
41	Reactor	1	43120129

Due to ongoing product improvements, specifications and dimensions are subject to change and correction without notice or incurring obligations. Determining the application and suitability for use of any product is the responsibility of the installer. Additionally, the installer is responsible for verifying dimensional data on the actual product prior to beginning any installation preparations.

Incentive and rebate programs have precise requirements as to product performance and certification. All products meet applicable regulations in effect on date of manufacture; however, certifications are not necessarily granted for the life of a product. Therefore, it is the responsibility of the applicant to determine whether a specific model qualifies for these incentive/rebate programs.

# HEAT CONTROLLER

1900 Wellworth Ave., Jackson MI 49203 • Ph. 517-787-2100 • [www.heatcontroller.com](http://www.heatcontroller.com)

A  Company