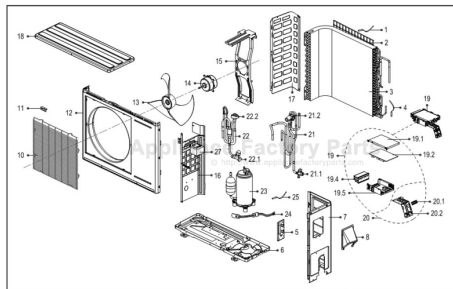


This Owner's Manual is provided and hosted by [Appliance Factory Parts](#).



COMFORT-AIRE A-VMH12SD-1 Owner's Manual

[Shop genuine replacement parts for COMFORT-AIRE
A-VMH12SD-1](#)



[Find Your COMFORT-AIRE HVAC Parts - Select From 1486 Models](#)

----- Manual continues below -----

Comfort-Aire®

Century®

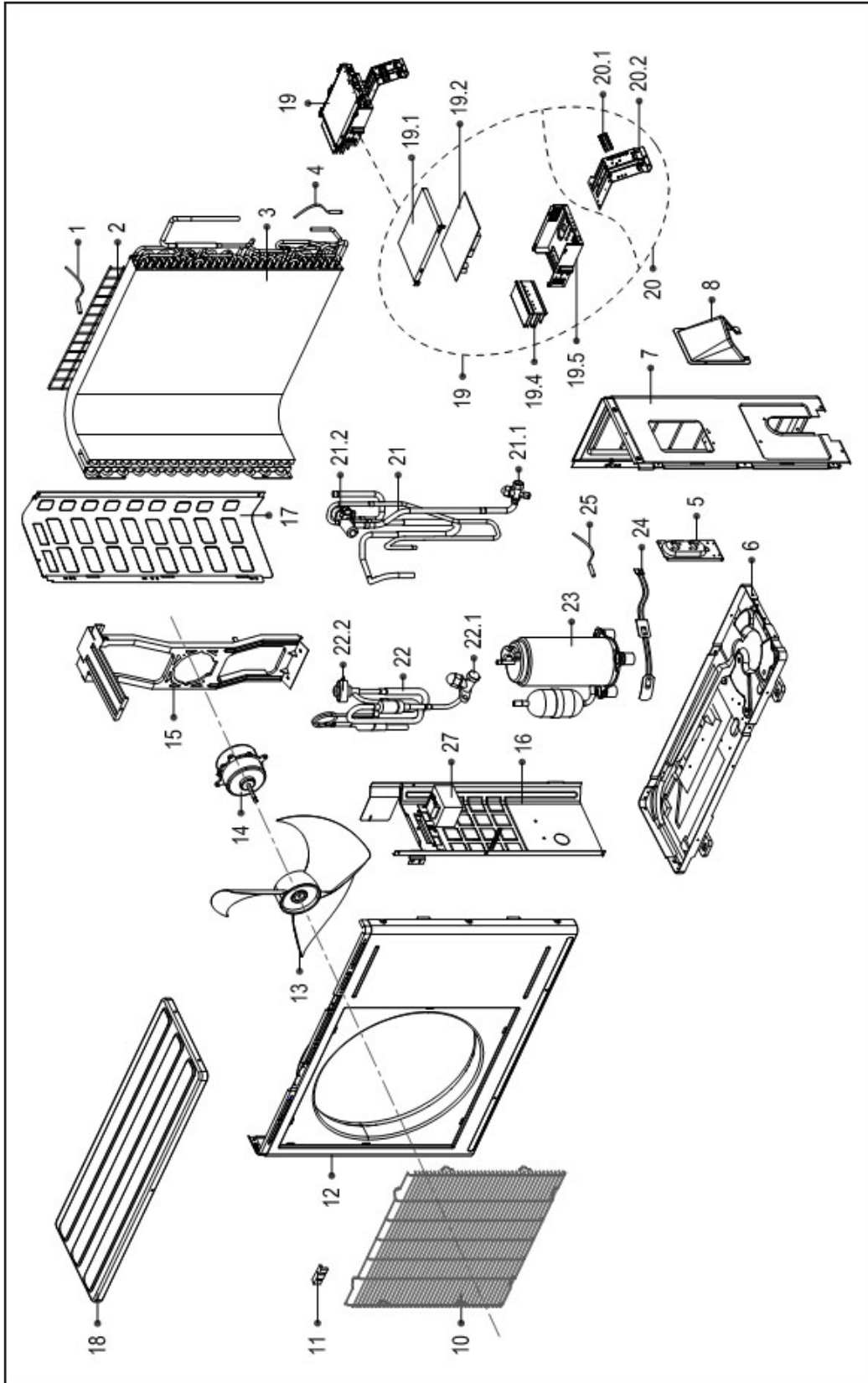
PARTS LIST

**Inverter Single Zone
Outdoor Ductless Mini-Split
A-VMH12SD-1**

MARS®

517.787.2100 • www.marsdelivers.com

EXPLODED VIEW



REPLACEMENT PARTS

Location	Part Name	Quantity	Part No.
1	Ambient temperature sensor assembly	1	11201007000282
2	Rear net	1	12222000001977
3	Condenser assembly	1	15822000001978
4	Pipe temperature sensor assembly	1	11201007000136
5	Valve plate	1	12222000002552
6	Chassis assembly	1	12222000A00058
7	Right clapboard assembly	1	12222000001931
8	Big handle	1	12222000002532
10	Air outlet grille	1	12222000001880
11	Clamp of front net	6	12122000006844
12	Front panel	1	12222000001728
13	Axial flow fan	1	12100105000020
14	Brushless DC Motor	1	11002015000040
15	Supporter assembly of fan motor	1	12222000002022
16	Partition board assembly	1	12222000002332
17	Left supporter	1	12222000001242
18	Top cover assembly	1	12222000002509
19	Electronic control box assembly	1	17222000A00477
19.1	Cover of electronic control box	1	12122000014665
19.2	Outdoor main control board assembly	1	17122000A00136
19.4	Radiator	1	11203803000276
19.5	Electronic installing box	1	12222000007105
20	Terminal board assembly	1	17222000002936
20.1	Wire joint	1	17400401000075
20.2	Terminal board	1	12222000002275
21	4-Ways valve assembly	1	15422000002437
21.1	Gas valve	1	15500204000046
21.2	4-Ways valve	1	15500216000017
22	Liquid valve assembly	1	15422000001156
22.1	Liquid valve	1	15500208000025
23	Compressor	1	11103020000089
24	Crankcase electric heater	1	17402001000008
25	Discharge temperature sensor assembly	1	11201007000157
27	Reactor	1	17400306000054
28	Copper nut	1	15500406000012
28	Copper nut	1	15500406000016
35	Electric heater of chassis	1	17402001000020

Due to ongoing product improvements, specifications and dimensions are subject to change and correction without notice or incurring obligations. Determining the application and suitability for use of any product is the responsibility of the installer. Additionally, the installer is responsible for verifying dimensional data on the actual product prior to beginning any installation preparations.

Incentive and rebate programs have precise requirements as to product performance and certification. All products meet applicable regulations in effect on date of manufacture; however, certifications are not necessarily granted for the life of a product. Therefore, it is the responsibility of the applicant to determine whether a specific model qualifies for these incentive/rebate programs.

Comfort-Aire®  **Century**®

1900 Wellworth Ave., Jackson, MI 49203 • Ph. 517-787-2100 • www.marsdelivers.com

MARS®
Delivering Confidence