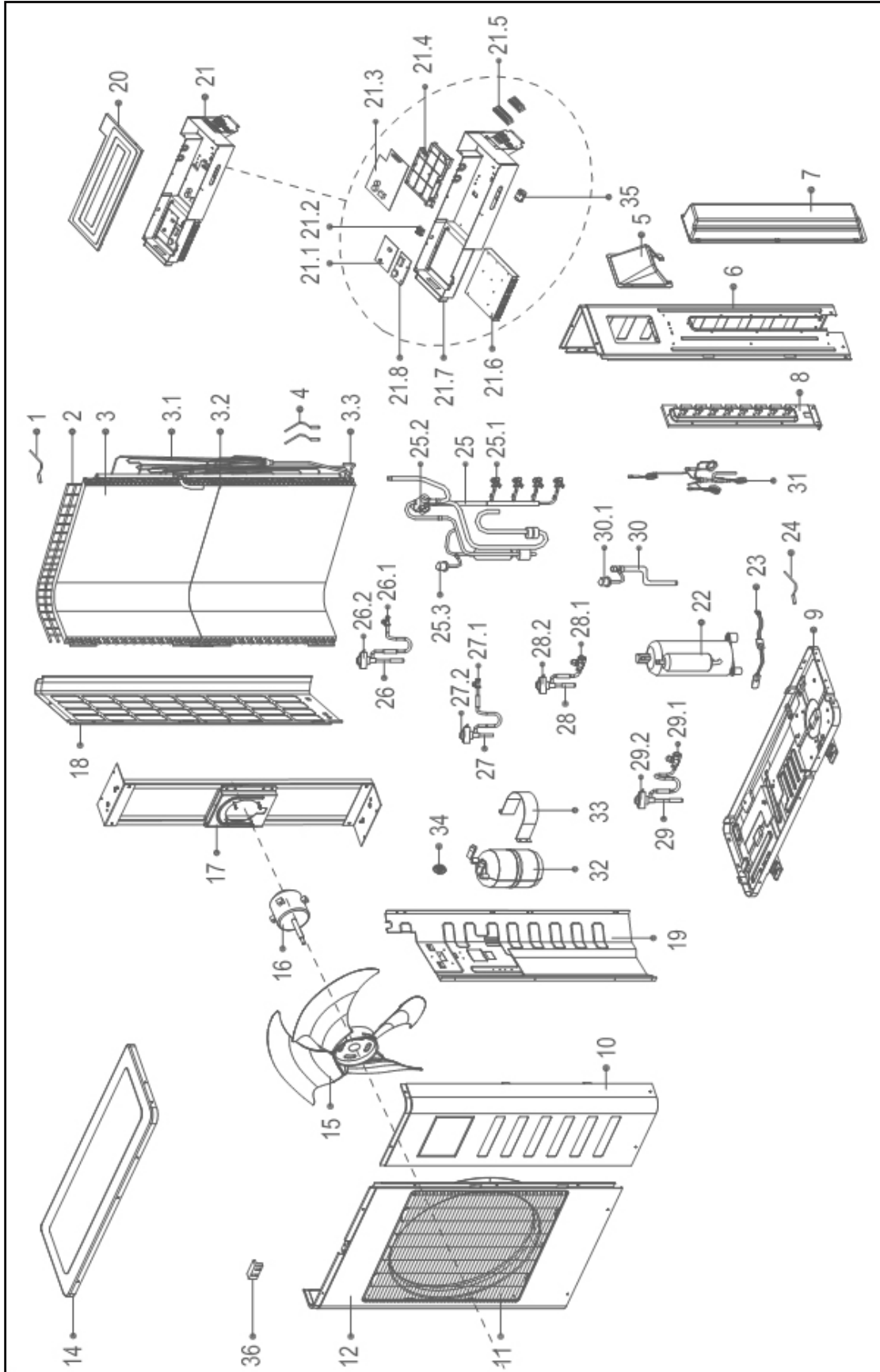


HEAT CONTROLLER

**REPLACEMENT
PARTS LIST**

**Inverter Series
Outdoor Ductless Mini-Split
A-VMH36QD-1
Heat Pumps**

EXPLODED VIEW



REPLACEMENT PARTS

Location	Part Name	Quantity	Part No.
1	Ambient temperature sensor assembly	1	202301310075
2	Rear net	1	201248700280
3	Condenser assembly	1	201557190043
3.1	Input pipe assembly	1	201657290044
3.2	Condenser (upper)	1	201557190044
3.2	Condenser (lower)	1	201557190045
3.3	Output pipe	1	201657290037
4	Pipe temperature sensor assembly	1	202301300111
4	Pipe temperature sensor assembly	1	202301300421
5	Big handle	1	201257190112
6	Rear right clapboard assembly	1	201257190090
7	Water collector	1	201157190015
8	Valve plate	1	201257190105
9	Chassis assembly	1	2012571A0021
10	Front right clapboard assembly	1	201248700056
11	Air outlet grille	1	201248700055
12	Front panel	1	201248700257
14	Top cover assembly	1	201257190096
15	Axial flow fan	1	201100320624
16	Brushless DC Motor	1	202400300051
17	Supporter assembly of fan motor	1	201275590219
18	Left supporter	1	201248700261
19	Partition board assembly	1	201257190130
20	Cover of electronic control box	1	201257190052
21	Electronic control box assembly	1	203357190092
21.1	Inverter control board assembly	1	201357190031
21.2	Rectifier bridge	1	202300500328
21.3	Outdoor main control board assembly	1	201357190091
21.4	Support of electronic control plate	1	201157390005
21.5	Wire joint	1	202301450157
21.5	Wire joint	1	202301450156
21.6	Radiator	1	202301901085
21.7	Electronic installing box assembly	1	201257190055
21.8	Active PFC Module Subassembly	1	201319901145
22	Compressor	1	201401500220
23	Crankcase electric heater	1	202403101715
24	Discharge temperature sensor assembly	1	202448200000
25	4-Way valve assembly	1	201657290028
25.1	Gas valve	4	201600720091
25.2	4-Way valve	1	201600600124
25.3	Pressure switch	1	202301820042
26	liquid valve assembly	1	201657290018
26.1	Liquid valve	1	201600740091
26.2	Electronic expansion valve assembly	1	201601300658
27	liquid valve assembly	1	201657290020
27.1	Liquid valve	1	201600740091
27.2	Electronic expansion valve assembly	1	201601300658
28	liquid valve assembly	1	201657290021
28.1	Liquid valve	1	201600740091
28.2	Electronic expansion valve assembly	1	201601300658
29	liquid valve assembly	1	201657290023
29.1	Liquid valve	1	201600740091
29.2	Electronic expansion valve assembly	1	201601300658
30	Suction pipe assembly	1	201657190421
30.1	Pressure switch	1	202301820021
31	Capillary assembly	1	201657290009
32	Accumulator cylinder	1	201601000074
33	Fix clamp of segregator	1	201245000901
34	PFC Inductor	1	202301000523
35	Magnetic Loop	2	202301000020
36	Clamp of front net	10	201135110801

Due to ongoing product improvements, specifications and dimensions are subject to change and correction without notice or incurring obligations. Determining the application and suitability for use of any product is the responsibility of the installer. Additionally, the installer is responsible for verifying dimensional data on the actual product prior to beginning any installation preparations.

Incentive and rebate programs have precise requirements as to product performance and certification. All products meet applicable regulations in effect on date of manufacture; however, certifications are not necessarily granted for the life of a product. Therefore, it is the responsibility of the applicant to determine whether a specific model qualifies for these incentive/rebate programs.

HEAT CONTROLLER

1900 Wellworth Ave., Jackson MI 49203 • Ph. 517-787-2100 • www.heatcontroller.com

A  Company