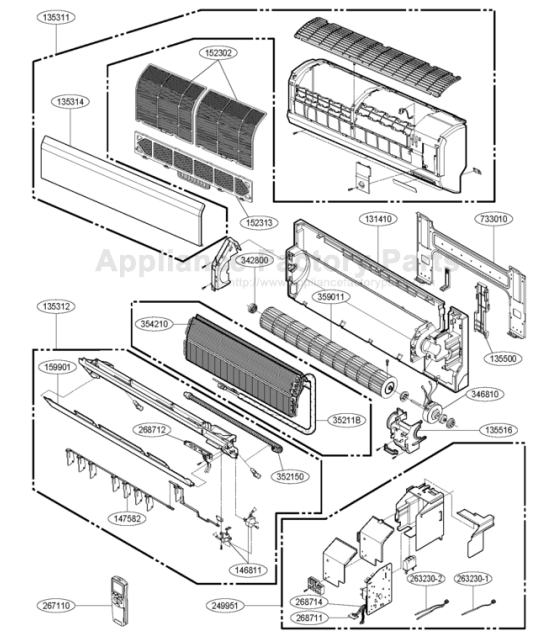


This Owner's Manual is provided and hosted by [Appliance Factory Parts](http://ApplianceFactoryParts.com).



COMFORT-AIRE B-DMC24DB-1 Owner's Manual

[Shop genuine replacement parts for COMFORT-AIRE
B-DMC24DB-1](#)



[Find Your COMFORT-AIRE HVAC Parts - Select From 1487 Models](#)

----- Manual continues below part list -----

Available Replacement Parts for COMFORT-AIRE B-DMC24DB-1

AKB74375404	Ac Remote Control Akb74375404
6871A20782A	Main Pcb Assembly
5901A20017H	Cross Flow Fan Assembly
4681A20042G	Motor Assembly,dc,stepping
6871A20682A	PCB ASSY DISPLAY
5230A20064K	FILTER,AIR
AEM36740103	Drain Hose Assembly

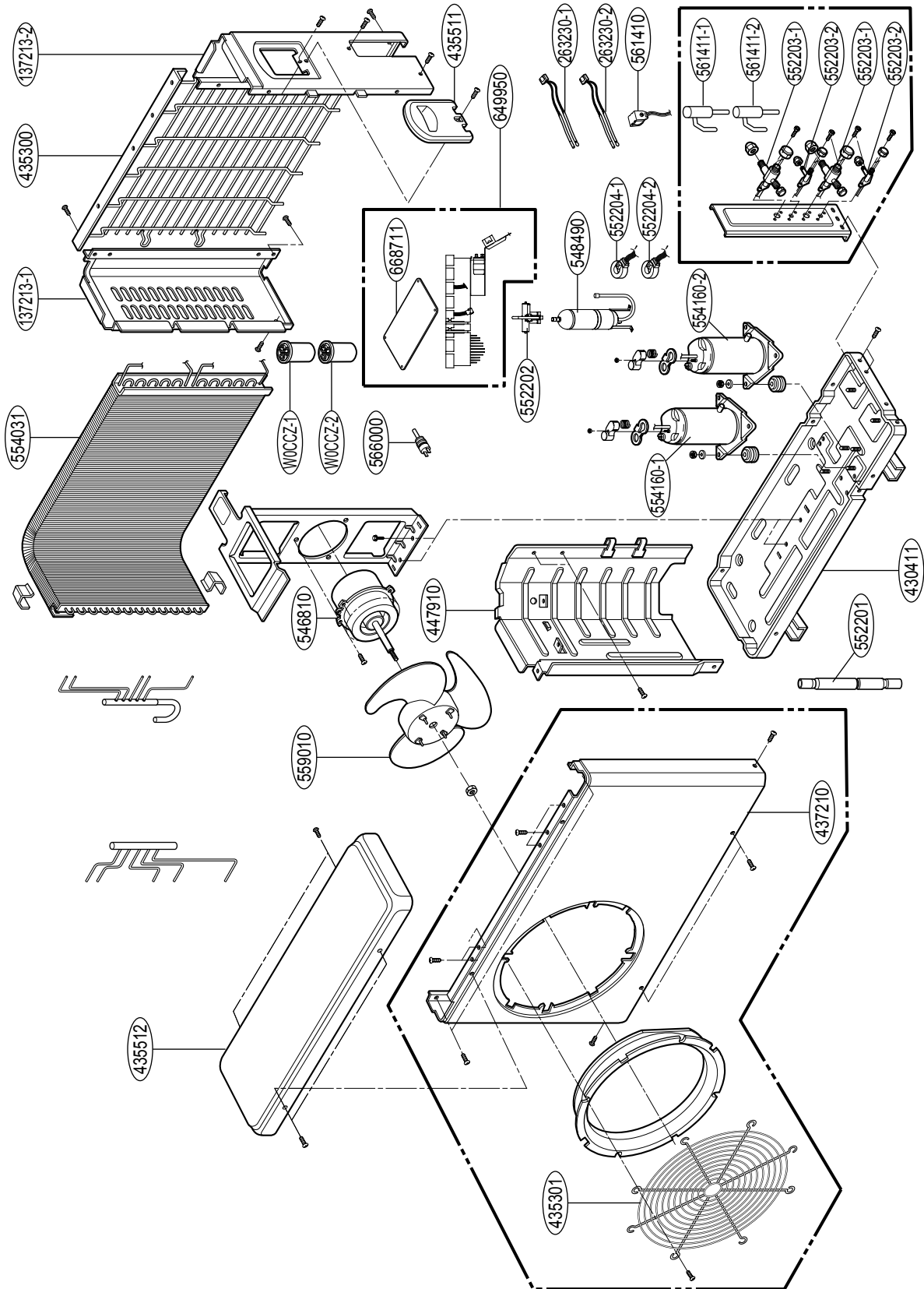
HEAT CONTROLLER, INC.

REPLACEMENT
PARTS

**DMC/DMH24 & DMH18
Dual Zone Ductless
Mini-Split Systems
A/C and Heat Pumps**

Outdoor Unit

A-DMC24DB-1, A-DMH24DB-1



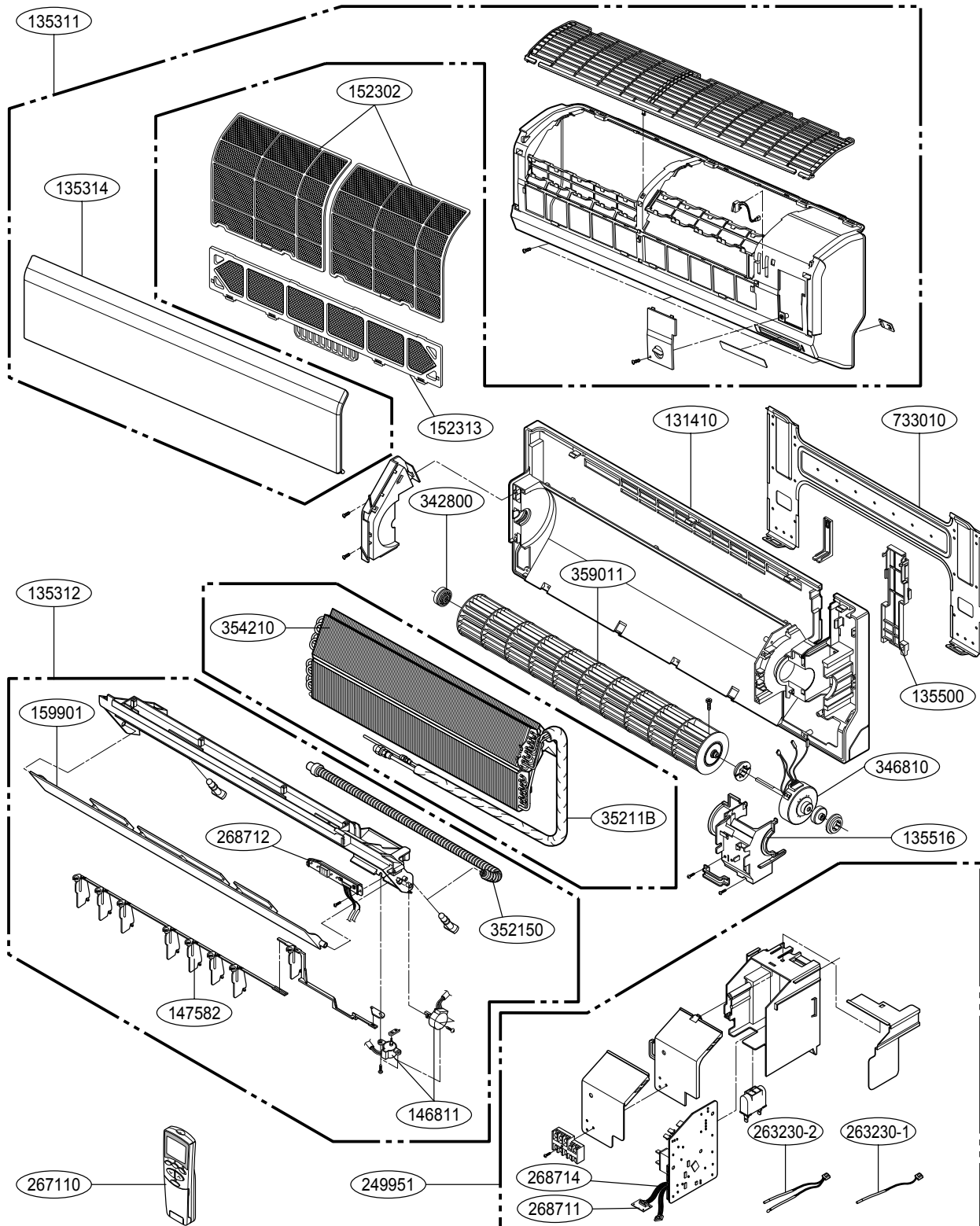
Parts List

Location No.	Description	Part No.		
		A-DMC24DB-1	A-DMH24DB-1	
137213-1	PANEL ASSEMBLY, SIDE	1A00202F	1A00202F	R
137213-2	PANEL ASSEMBLY, SIDE	3A02284R	3A02284R	R
263230-1	THERMISTOR, NTC	6323A20026A	6323A20026A	R
263230-2	THERMISTOR ASSEMBLY	6323A20001N	6323A20001N	R
430411	BASE ASSEMBLY, OUTDOOR	3041AP2741G	3041AP2741G	R
435300	GRILLE, REAR	1A00208H	1A00208H	R
435301	GRILLE, DISCHARGE	3530A20007J	3530A20007J	R
435511	COVER ASSEMBLY, CONTROL(OUTDOOR)	3550AR2886C	3550AR2886C	R
435512	COVER ASSEMBLY, TOP(OUTDOOR)	3551A30113C	3551A30113C	R
437210	PANEL ASSEMBLY, FRONT(SUB)	1A00197C	1A00197C	R
447910	BARRIER ASSEMBLY, OUTDOOR	4791A30004H	4791A30004H	R
546810	MOTOR, UNCLASSIFIED	4681A20008E	4681A20008E	R
548490	ACCUMULATOR	4848A20012A	4848A20012A	R
552201	VALVE, CHECK	5220A30004A	5220A30004A	R
552202	VALVE, REVERSE	5220AR3228E	5220AR3228E	R
552203-1	VALVE, SERVICE	5220A20001K	5220A20001K	R
552203-2	VALVE, SERVICE	2H02479J	2H02479J	R
552204-1	DRAWING, ASSEMBLY	6877A20050A	6877A20050A	R
552204-2	DRAWING, ASSEMBLY	6877A20050B	6877A20050B	R
554031	CONDENSER ASSEMBLY, BENDING	5403A20022T	5403A20257A	R
554160-1	COMPRESSOR SET, KOREA	2520UGHK2AA	2520UGHK2AA	R
554160-2	COMPRESSOR SET, KOREA	2520UGJK2AA	2520UGJK2AA	R
559010	FAN ASSEMBLY, PROPELLER	1A00195B	1A00195B	R
561410	SOLENOID	-	3A02028Z	R
561411	VALVE, EXPANSION BODY	5220A90010G	5220A90010G	R
566000	SWITCH, PRESSURE	6600L000013	6600L000013	R
649950	CASE ASSEMBLY, CONTROL(OUTDOOR)	4995A00002G	4995A00002G	R
668711	PCB ASSEMBLY, SUB BOARD	6871A20500B	6871A20500B	R
W0CZZ-1	CAPACITOR, FILM, BOX	2A00986G	2A00986G	R
W0CZZ-2	CAPACITOR, FILM, BOX	6120AR2194F	6120AR2194F	R
	MAIN PCB	6871A20479D		

Exploded View

Indoor Unit

B-DMC24DB-1, B-DMH24DB-1



Parts List

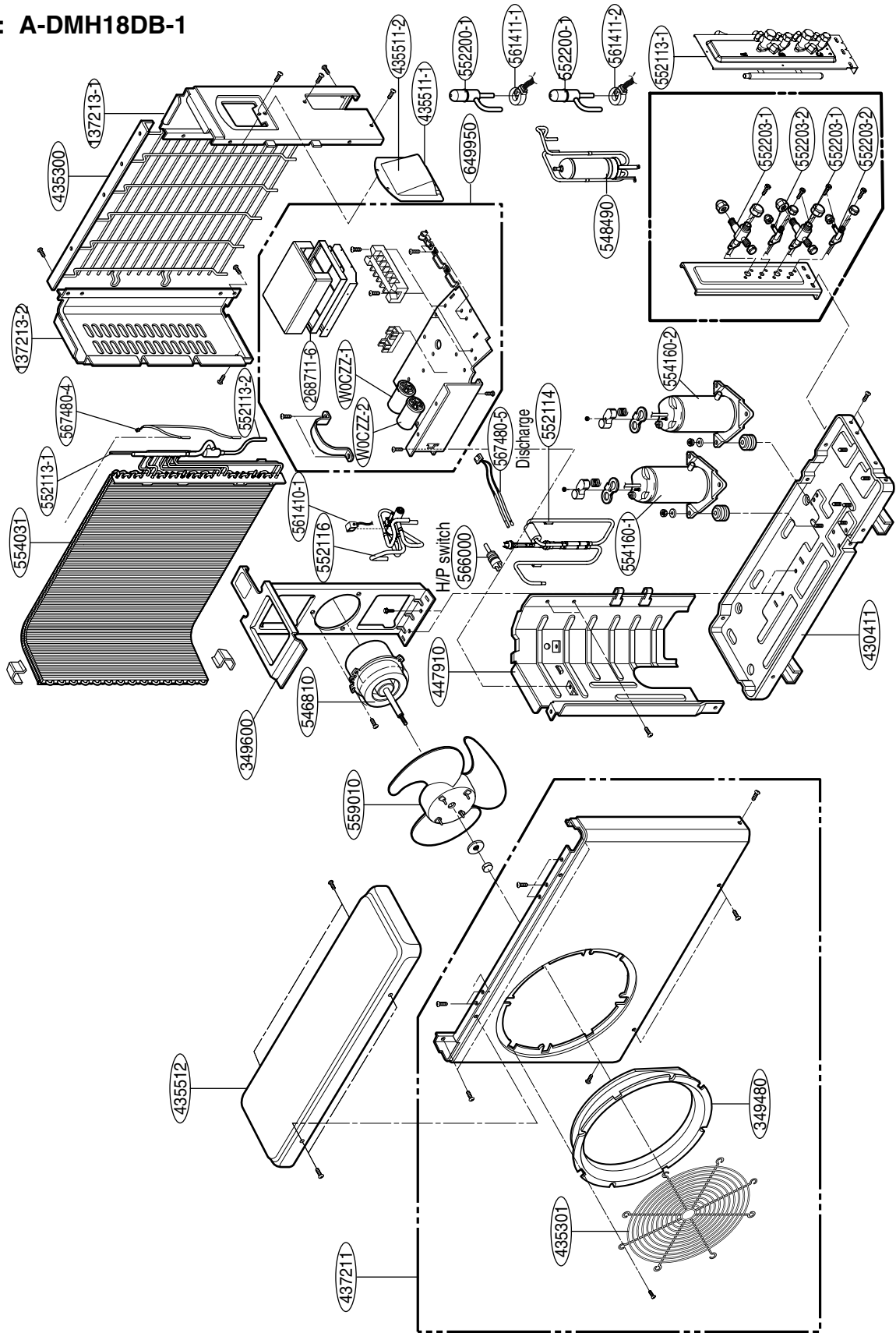
Location No.	Description	Part No.		
		B-DMC24DB-1	B-DMH24DB-1	
131410	CHASSIS ASSEMBLY	3141A20034A	3141A20034A	R
135311	GRILLE ASSEMBLY, DISCHARGE(INDOOR)	3531A10362M	3531A10362M	R
135312	GRILLE ASSEMBLY, FRONT(INDOOR)	AEB30610001	AEB30610002	R
135314	GRILLE, INLET	3530A10297A	3530A10297A	R
135500	COVER	3550A30315A	3550A30315A	R
135516	COVER ASSEMBLY, MOTOR	3551A20156B	3551A20156B	R
146811	MOTOR ASSEMBLY, DC, STEPPING	4681A20055A	4681A20055A	R
147582	LOUVER, VERTICAL	4758A30058A	4758A30058A	R
152302	FILTER, AIR	5230A20064A	5230A20064A	R
152313	FILTER ASSEMBLY, DEODORIZER	5231A20040K	5231A20040K	R
159901	LOUVER, HORIZONTAL	5990A20068A	5990A20068A	R
263230-1	THERMISTOR, NTC	6323AQ3226T	6323AQ3226T	R
263230-2	THERMISTOR, NTC	6323A20004A	6323A20004A	R
267110	REMOTE CONTROLLER ASSEMBLY	6711A20128K	6711A20128L	R
268711	PCB ASSEMBLY	6871A20989C	6871A20989B	R
268712	PCB ASSEMBLY, DISPLAY	6871A20682A	6871A20682A	R
268714	PCB ASSEMBLY, MAIN	6871A20782A	6871A20782A	R
342800	BEARING	4280A20004B	4280A20004B	R
346810	MOTOR ASSEMBLY, AC, INDOOR	4681AR2295L	4681AR2295L	R
35211B	TUBE ASSEMBLY, TUBING	5211A15008A	5211A15008A	R
352150	HOSE ASSEMBLY, DRAIN	5251A20011G	5251A20011G	R
354210	EVAPORATOR ASSEMBLY, FIRST	ADL30058601	ADL30058601	R
359011	FAN ASSEMBLY, CROSS FLOW	5901A20017H	5901A20017H	R
733010	PLATE ASSEMBLY, INSTALLATION	3301A20020A	3301A20020A	R

*

(

Exploded View

Model: A-DMH18DB-1

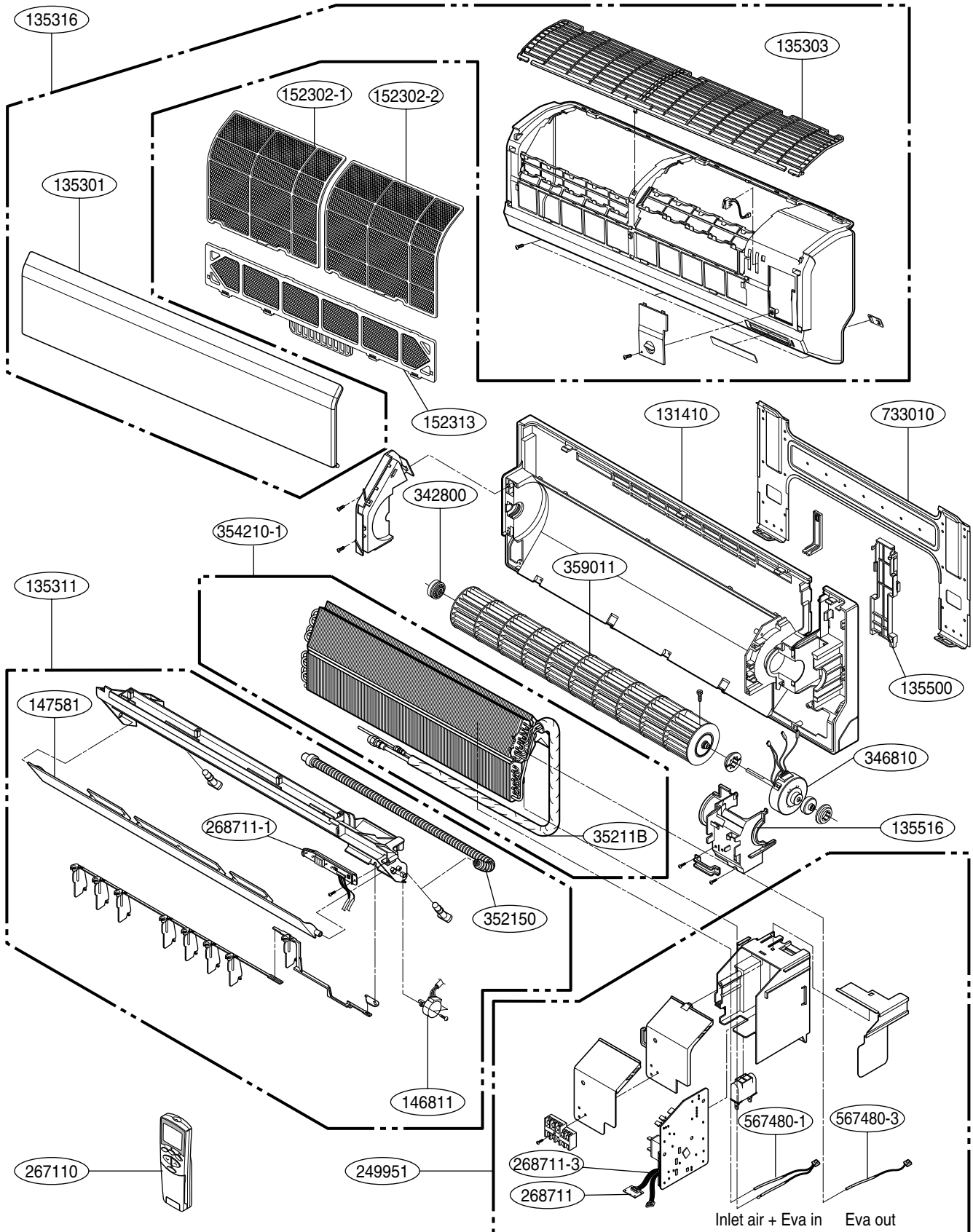


Part List A-DMH18DB-1

LOCATION No.	DESCRIPTION	Part No.	SVC CODE
		A-DMH18DB-1	
437211	PANEL ASSEMBLY,FRONT	3721A23001A	R
137213-1	PANEL ASSEMBLY,SIDE	1A00201D	R
137213-2	PANEL ASSEMBLY,SIDE	3A02284M	R
435300	GRILLE,REAR	1A00207B	R
435301	GRILLE,DISCHARGE	3530A20007B	R
435512	COVER ASSEMBLY, TOP	3H03266L	R
430411	BASE ASSEMBLY,OUTDOOR	3041AP2741G	R
554030	CONDENSER ASSEMBLY,FIRST	5403A20071M	R
546810	MOTOR,UNCLASSIFIED	4681A20008E	R
559010	FAN ASSEMBLY,PROPELLER	1A00195B	R
554160-1	COMPRESSORSET,KOREA(LEFT)	2520UGAK2AA(GK113KAA)	R
554160-2	COMPRESSORSET,KOREA(RIGHT)	2520UGJK2AA(GK094KAA)	R
349600	BARRIER ASSEMBLY,OUTDOOR	4791A30004K	R
649950	CASE ASSEMBLY,CONTROL(OUTDOOR)	ABQ34008701	R
268711-4	PCB ASSEMBLY,SUB	6871A20500B	R
268711-6	PCB ASSEMBLY,MAIN	6871A20479D	R
435511-2	COVER ASSEMBLY,CONTROL	3550AR2886C	R
435511-1	PANEL SIDE	3720AR7035C	R
W0CZZ-1	CAPACITOR,FILM BOX	2A00986G	R
W0CZZ-2	CAPACITOR,FILM BOX	6120AR2194F	R
548490	ACCUMULATOR ASSEMBLY	AAB33905201	R
561410-1	SOLENOID(COIL ASSEMBLY,REVERSE)	3A02028Z	R
561411-1	DRAWING ASSEMBLY(EEV COIL)	6877A200050A	R
561411-2	DRAWING ASSEMBLY(EEV COIL)	6877A20050B	R
552203-1	VALVE SERVICE(É≥9.52)	5220A20001K	R
552203-2	VALVE SERVICE(É≥6.35)	2H02479J	R
552200-2	VALVE EXPANSION BODY	5220A90010G	R
552201-1	SWITCH PRESSURE	6600L00001	R
567480-5	THEMISTOR,NTC	6323A20026A	R
567480-4	THEMISTOR,NTC	6323A20001N	R
552113-1	TUBE ASSEMBLY CONDENSER(OUT)	AJR33485101	R
552113-2	TUBE ASSEMBLY CONDENSER(IN)	AJR33484101	R
552116	TUBE ASSEMBLY,REVERSE	AJR33477701	R
552114	TUBE ASSEMBLY,DISCHARGE(OUTDOOR)	AJR33477801	R
349600	MOTOR BRACKET	4960AP1361A	R
52113-1	TUBE ASSEMBLY, CONDENSER(OUT)	5211A20927F	R

Outdoor Unit

B-DMH18DB-1



Parts List B-DMH18DB-1

LOCATION No.	DESCRIPTION	PART No.	SVC CODE
		B-DMH18DB-1	
131410	CHASSIS ASSEMBLY	3141A20019C	R
135316	GRILLE ASSEMBLY,FRONT(INDOOR)	3531A23004L	R
135301	GRILLE,FRONT	3531A10339C	R
152302-1	FILTER,AIR	5230A20051B	R
152302-2	FILTER,AIR	5230A20051D	R
135311	GRILLE ASSEMBLY,DISCHARGE(INDOOR)	3531A11307E	R
147581	LOUVER,HORIZONTAL	5990A20069A	R
146811	MOTOR,DC	4681A20055A	R
268711-1	PCB ASSEMBLY,DISPLAY	6871A20682A	R
135516	COVER ASSEMBLY,MOTOR	3551A20156B	R
346810	MOTOR,DC	4681AR2295L	R
152313	FILTER ASSEMBLY,DEODORIZER	5231A20040A	R
249951	CASE ASSEMBLY,CONTROL(INDOOR)	4995A20831A	R
268711-3	PCB ASSEMBLY,MAIN	6871A20782A	R
268711	PCB ASSEMBLY(OPTION PCB)	6871A20989A	R
567480-3	THERMISTOR,NTC	6323AQ3226T	R
567480-1	THERMISTOR,NTC	6323A20004A	R
267110	REMOTE CONTROLLER ASSEMBLY	6711A20128L	R
342800	BEARING	4280A20004A	R
35211B	TUBE ASSEMBLY,TUBING	5211A21363E	R
352150	HOSE ASSEMBLY,DRAIN	5251A20011B	R
359011	FAN ASSEMBLY,CROSS FLOW	5901A20017F	R
733010	PLATE ASSEMBLY,INSTALLATION	3301A20020C	R
135500	COVER	3550A30262A	R
354210-1	EVAPORATOR ASSEMBLY,FIRST	5421A20218B	R
135303	GRILLE, INLET	3530A10255A	R

**Design, material, performance data and components
subject to change without notice.**

HEAT CONTROLLER, INC.

1900 Wellworth Ave., Jackson, Michigan 49203 • Ph. 517-787-2100 • Fax 517-787-9341

THE QUALITY LEADER IN AIR CONDITIONING

www.heatcontroller.com