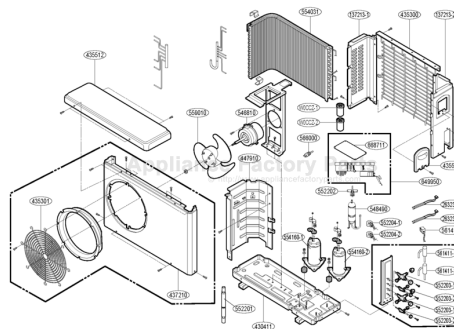


This Owner's Manual is provided and hosted by [Appliance Factory Parts](#).



# COMFORT-AIRE A-DMH24DB-1 Owner's Manual

[Shop genuine replacement parts for COMFORT-AIRE  
A-DMH24DB-1](#)



[Find Your COMFORT-AIRE HVAC Parts - Select From 1487 Models](#)

----- Manual continues below part list -----

## Available Replacement Parts for COMFORT-AIRE A-DMH24DB-1

<a href="#">4681A20008Q</a>	Motor Assembly,ac,outdo
<a href="#">6871A20479D</a>	Main Pcb Assembly
<a href="#">ACQ36712503</a>	Use ACQ36712503 Control Cover Assembly
<a href="#">EAE43285012</a>	Electric Appliance F Capacitor
<a href="#">EAP62228712</a>	Expansion Coil

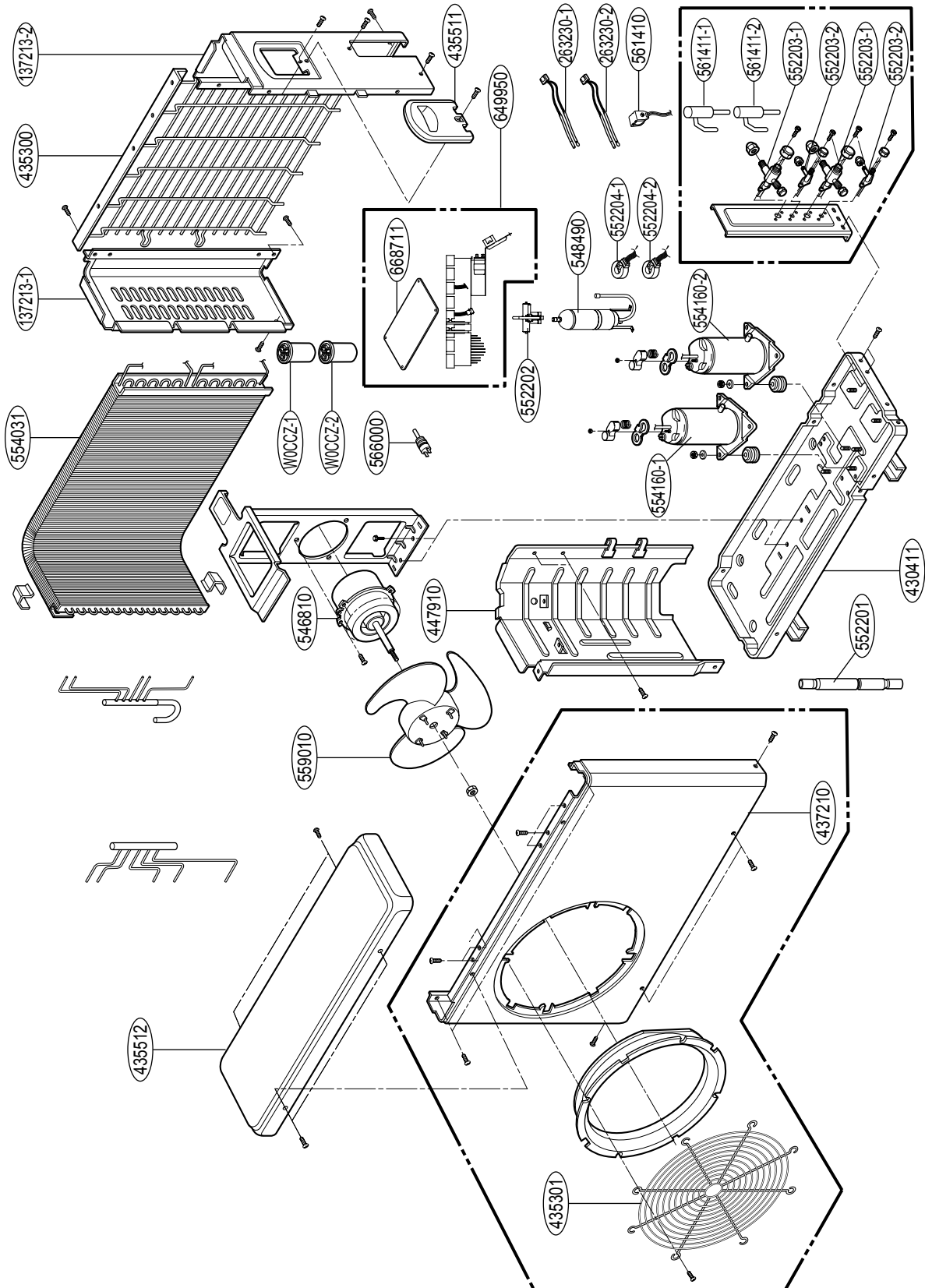
HEAT CONTROLLER, INC.

REPLACEMENT  
PARTS

**DMC/DMH24 & DMH18  
Dual Zone Ductless  
Mini-Split Systems  
A/C and Heat Pumps**

# Outdoor Unit

A-DMC24DB-1, A-DMH24DB-1



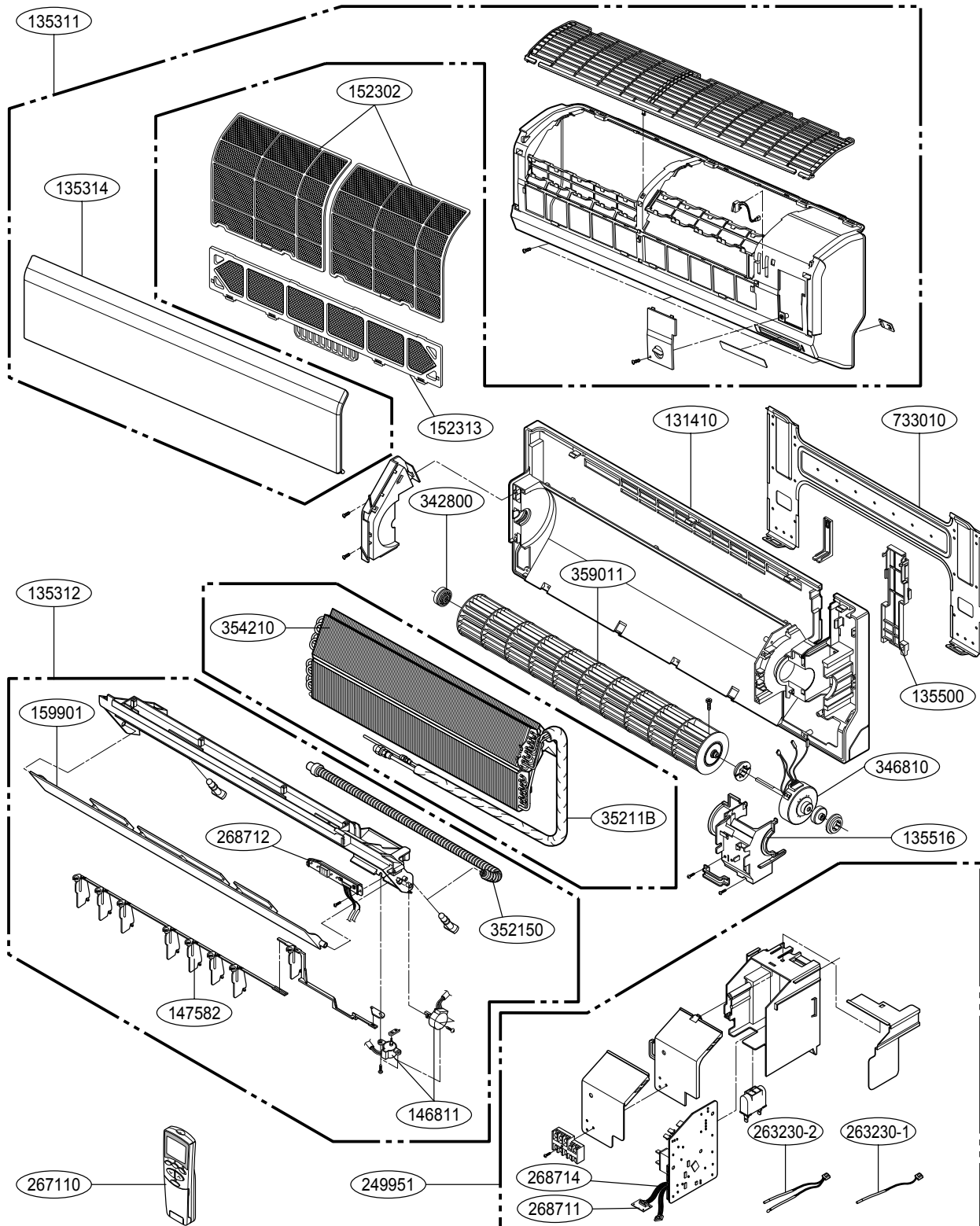
## Parts List

Location No.	Description	Part No.		
		A-DMC24DB-1	A-DMH24DB-1	
137213-1	PANEL ASSEMBLY, SIDE	1A00202F	1A00202F	R
137213-2	PANEL ASSEMBLY, SIDE	3A02284R	3A02284R	R
263230-1	THERMISTOR, NTC	6323A20026A	6323A20026A	R
263230-2	THERMISTOR ASSEMBLY	6323A20001N	6323A20001N	R
430411	BASE ASSEMBLY, OUTDOOR	3041AP2741G	3041AP2741G	R
435300	GRILLE, REAR	1A00208H	1A00208H	R
435301	GRILLE, DISCHARGE	3530A20007J	3530A20007J	R
435511	COVER ASSEMBLY, CONTROL(OUTDOOR)	3550AR2886C	3550AR2886C	R
435512	COVER ASSEMBLY, TOP(OUTDOOR)	3551A30113C	3551A30113C	R
437210	PANEL ASSEMBLY, FRONT(SUB)	1A00197C	1A00197C	R
447910	BARRIER ASSEMBLY, OUTDOOR	4791A30004H	4791A30004H	R
546810	MOTOR, UNCLASSIFIED	4681A20008E	4681A20008E	R
548490	ACCUMULATOR	4848A20012A	4848A20012A	R
552201	VALVE, CHECK	5220A30004A	5220A30004A	R
552202	VALVE, REVERSE	5220AR3228E	5220AR3228E	R
552203-1	VALVE, SERVICE	5220A20001K	5220A20001K	R
552203-2	VALVE, SERVICE	2H02479J	2H02479J	R
552204-1	DRAWING, ASSEMBLY	6877A20050A	6877A20050A	R
552204-2	DRAWING, ASSEMBLY	6877A20050B	6877A20050B	R
554031	CONDENSER ASSEMBLY, BENDING	5403A20022T	5403A20257A	R
554160-1	COMPRESSOR SET, KOREA	2520UGHK2AA	2520UGHK2AA	R
554160-2	COMPRESSOR SET, KOREA	2520UGJK2AA	2520UGJK2AA	R
559010	FAN ASSEMBLY, PROPELLER	1A00195B	1A00195B	R
561410	SOLENOID	-	3A02028Z	R
561411	VALVE, EXPANSION BODY	5220A90010G	5220A90010G	R
566000	SWITCH, PRESSURE	6600L000013	6600L000013	R
649950	CASE ASSEMBLY, CONTROL(OUTDOOR)	4995A00002G	4995A00002G	R
668711	PCB ASSEMBLY, SUB BOARD	6871A20500B	6871A20500B	R
W0CZZ-1	CAPACITOR, FILM, BOX	2A00986G	2A00986G	R
W0CZZ-2	CAPACITOR, FILM, BOX	6120AR2194F	6120AR2194F	R
	MAIN PCB	6871A20479D		

# Exploded View

## Indoor Unit

B-DMC24DB-1, B-DMH24DB-1



## Parts List

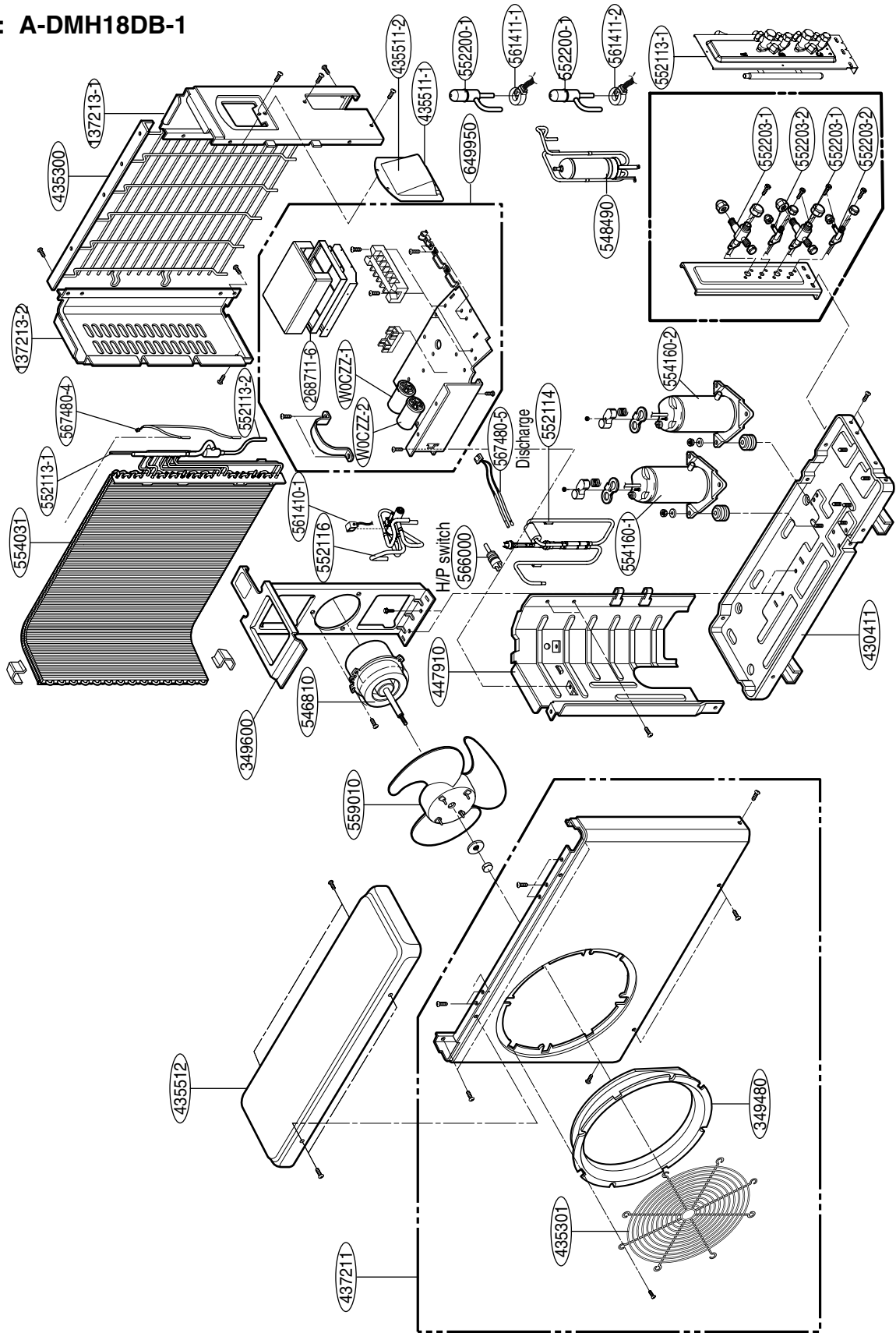
Location No.	Description	Part No.		
		B-DMC24DB-1	B-DMH24DB-1	
131410	CHASSIS ASSEMBLY	3141A20034A	3141A20034A	R
135311	GRILLE ASSEMBLY, DISCHARGE(INDOOR)	3531A10362M	3531A10362M	R
135312	GRILLE ASSEMBLY, FRONT(INDOOR)	AEB30610001	AEB30610002	R
135314	GRILLE, INLET	3530A10297A	3530A10297A	R
135500	COVER	3550A30315A	3550A30315A	R
135516	COVER ASSEMBLY, MOTOR	3551A20156B	3551A20156B	R
146811	MOTOR ASSEMBLY, DC, STEPPING	4681A20055A	4681A20055A	R
147582	LOUVER, VERTICAL	4758A30058A	4758A30058A	R
152302	FILTER, AIR	5230A20064A	5230A20064A	R
152313	FILTER ASSEMBLY, DEODORIZER	5231A20040K	5231A20040K	R
159901	LOUVER, HORIZONTAL	5990A20068A	5990A20068A	R
263230-1	THERMISTOR, NTC	6323AQ3226T	6323AQ3226T	R
263230-2	THERMISTOR, NTC	6323A20004A	6323A20004A	R
267110	REMOTE CONTROLLER ASSEMBLY	6711A20128K	6711A20128L	R
268711	PCB ASSEMBLY	6871A20989C	6871A20989B	R
268712	PCB ASSEMBLY, DISPLAY	6871A20682A	6871A20682A	R
268714	PCB ASSEMBLY, MAIN	6871A20782A	6871A20782A	R
342800	BEARING	4280A20004B	4280A20004B	R
346810	MOTOR ASSEMBLY, AC, INDOOR	4681AR2295L	4681AR2295L	R
35211B	TUBE ASSEMBLY, TUBING	5211A15008A	5211A15008A	R
352150	HOSE ASSEMBLY, DRAIN	5251A20011G	5251A20011G	R
354210	EVAPORATOR ASSEMBLY, FIRST	ADL30058601	ADL30058601	R
359011	FAN ASSEMBLY, CROSS FLOW	5901A20017H	5901A20017H	R
733010	PLATE ASSEMBLY, INSTALLATION	3301A20020A	3301A20020A	R

\*

(

# Exploded View

Model: A-DMH18DB-1

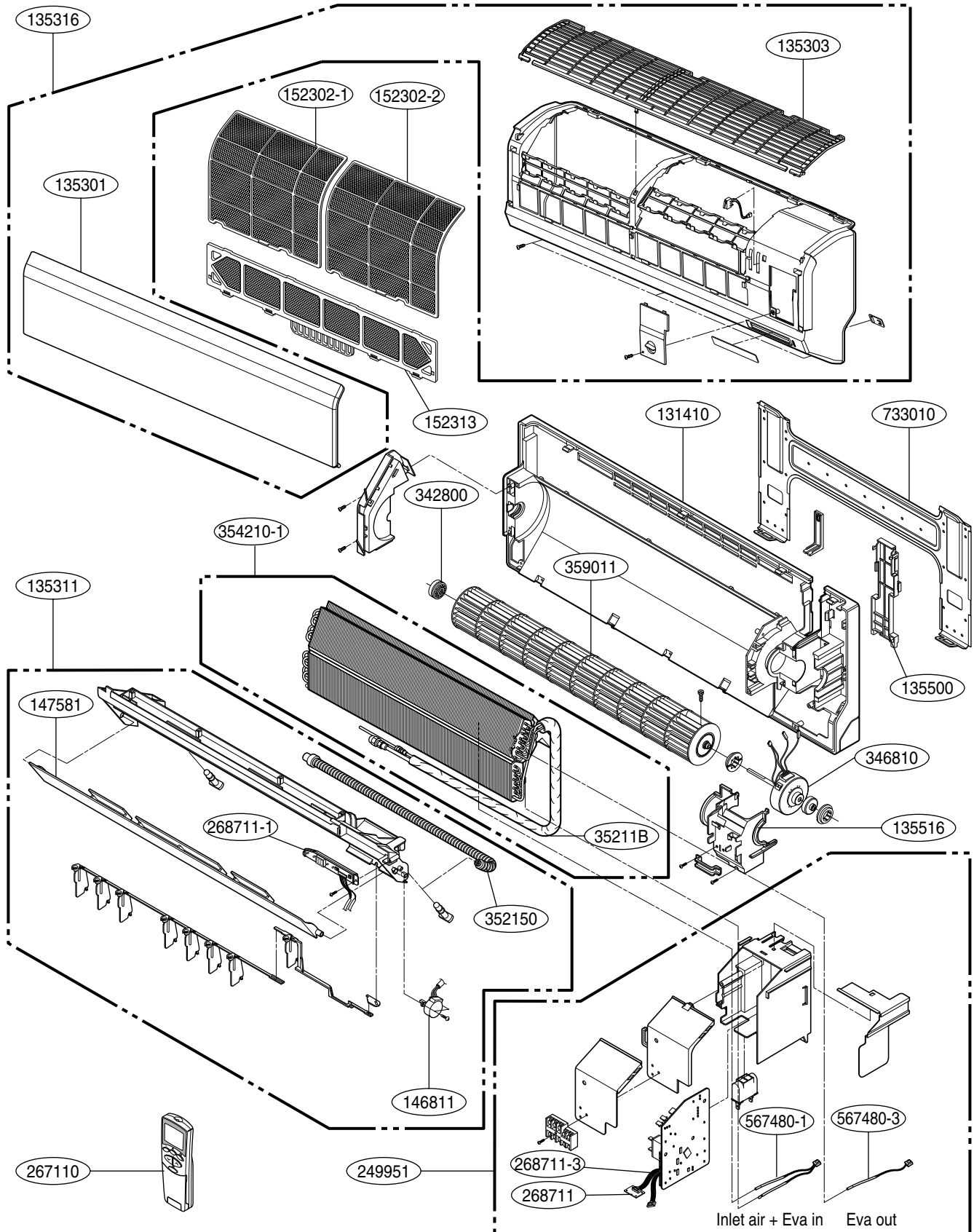


## Part List A-DMH18DB-1

LOCATION No.	DESCRIPTION	Part No.	SVC CODE
		A-DMH18DB-1	
437211	PANEL ASSEMBLY,FRONT	3721A23001A	R
137213-1	PANEL ASSEMBLY,SIDE	1A00201D	R
137213-2	PANEL ASSEMBLY,SIDE	3A02284M	R
435300	GRILLE,REAR	1A00207B	R
435301	GRILLE,DISCHARGE	3530A20007B	R
435512	COVER ASSEMBLY, TOP	3H03266L	R
430411	BASE ASSEMBLY,OUTDOOR	3041AP2741G	R
554030	CONDENSER ASSEMBLY,FIRST	5403A20071M	R
546810	MOTOR,UNCLASSIFIED	4681A20008E	R
559010	FAN ASSEMBLY,PROPELLER	1A00195B	R
554160-1	COMPRESSORSET,KOREA(LEFT)	2520UGAK2AA(GK113KAA)	R
554160-2	COMPRESSORSET,KOREA(RIGHT)	2520UGJK2AA(GK094KAA)	R
349600	BARRIER ASSEMBLY,OUTDOOR	4791A30004K	R
649950	CASE ASSEMBLY,CONTROL(OUTDOOR)	ABQ34008701	R
268711-4	PCB ASSEMBLY,SUB	6871A20500B	R
268711-6	PCB ASSEMBLY,MAIN	6871A20479D	R
435511-2	COVER ASSEMBLY,CONTROL	3550AR2886C	R
435511-1	PANEL SIDE	3720AR7035C	R
W0CZZ-1	CAPACITOR,FILM BOX	2A00986G	R
W0CZZ-2	CAPACITOR,FILM BOX	6120AR2194F	R
548490	ACCUMULATOR ASSEMBLY	AAB33905201	R
561410-1	SOLENOID(COIL ASSEMBLY,REVERSE)	3A02028Z	R
561411-1	DRAWING ASSEMBLY(EEV COIL)	6877A200050A	R
561411-2	DRAWING ASSEMBLY(EEV COIL)	6877A20050B	R
552203-1	VALVE SERVICE(É≥9.52)	5220A20001K	R
552203-2	VALVE SERVICE(É≥6.35)	2H02479J	R
552200-2	VALVE EXPANSION BODY	5220A90010G	R
552201-1	SWITCH PRESSURE	6600L00001	R
567480-5	THEMISTOR,NTC	6323A20026A	R
567480-4	THEMISTOR,NTC	6323A20001N	R
552113-1	TUBE ASSEMBLY CONDENSER(OUT)	AJR33485101	R
552113-2	TUBE ASSEMBLY CONDENSER(IN)	AJR33484101	R
552116	TUBE ASSEMBLY,REVERSE	AJR33477701	R
552114	TUBE ASSEMBLY,DISCHARGE(OUTDOOR)	AJR33477801	R
349600	MOTOR BRACKET	4960AP1361A	R
52113-1	TUBE ASSEMBLY, CONDENSER(OUT)	5211A20927F	R

# Outdoor Unit

## B-DMH18DB-1



## Parts List B-DMH18DB-1

LOCATION No.	DESCRIPTION	PART No.	SVC CODE
		B-DMH18DB-1	
131410	CHASSIS ASSEMBLY	3141A20019C	R
135316	GRILLE ASSEMBLY,FRONT(INDOOR)	3531A23004L	R
135301	GRILLE,FRONT	3531A10339C	R
152302-1	FILTER,AIR	5230A20051B	R
152302-2	FILTER,AIR	5230A20051D	R
135311	GRILLE ASSEMBLY,DISCHARGE(INDOOR)	3531A11307E	R
147581	LOUVER,HORIZONTAL	5990A20069A	R
146811	MOTOR,DC	4681A20055A	R
268711-1	PCB ASSEMBLY,DISPLAY	6871A20682A	R
135516	COVER ASSEMBLY,MOTOR	3551A20156B	R
346810	MOTOR,DC	4681AR2295L	R
152313	FILTER ASSEMBLY,DEODORIZER	5231A20040A	R
249951	CASE ASSEMBLY,CONTROL(INDOOR)	4995A20831A	R
268711-3	PCB ASSEMBLY,MAIN	6871A20782A	R
268711	PCB ASSEMBLY(OPTION PCB)	6871A20989A	R
567480-3	THERMISTOR,NTC	6323AQ3226T	R
567480-1	THERMISTOR,NTC	6323A20004A	R
267110	REMOTE CONTROLLER ASSEMBLY	6711A20128L	R
342800	BEARING	4280A20004A	R
35211B	TUBE ASSEMBLY,TUBING	5211A21363E	R
352150	HOSE ASSEMBLY,DRAIN	5251A20011B	R
359011	FAN ASSEMBLY,CROSS FLOW	5901A20017F	R
733010	PLATE ASSEMBLY,INSTALLATION	3301A20020C	R
135500	COVER	3550A30262A	R
354210-1	EVAPORATOR ASSEMBLY,FIRST	5421A20218B	R
135303	GRILLE, INLET	3530A10255A	R

**Design, material, performance data and components  
subject to change without notice.**

## **HEAT CONTROLLER, INC.**

1900 Wellworth Ave., Jackson, Michigan 49203 • Ph. 517-787-2100 • Fax 517-787-9341

**THE QUALITY LEADER IN AIR CONDITIONING**

**[www.heatcontroller.com](http://www.heatcontroller.com)**