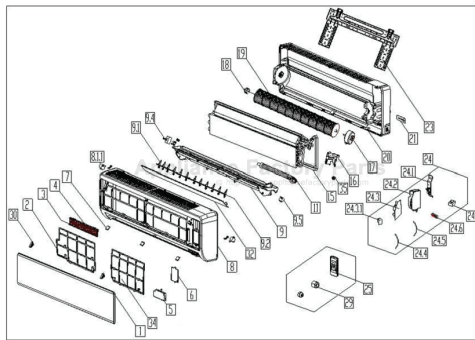


This Owner's Manual is provided and hosted by [Appliance Factory Parts](#).



COMFORT-AIRE B-VMH18FC-1 Owner's Manual

[Shop genuine replacement parts for COMFORT-AIRE
B-VMH18FC-1](#)



[Find Your COMFORT-AIRE HVAC Parts - Select From 1486 Models](#)

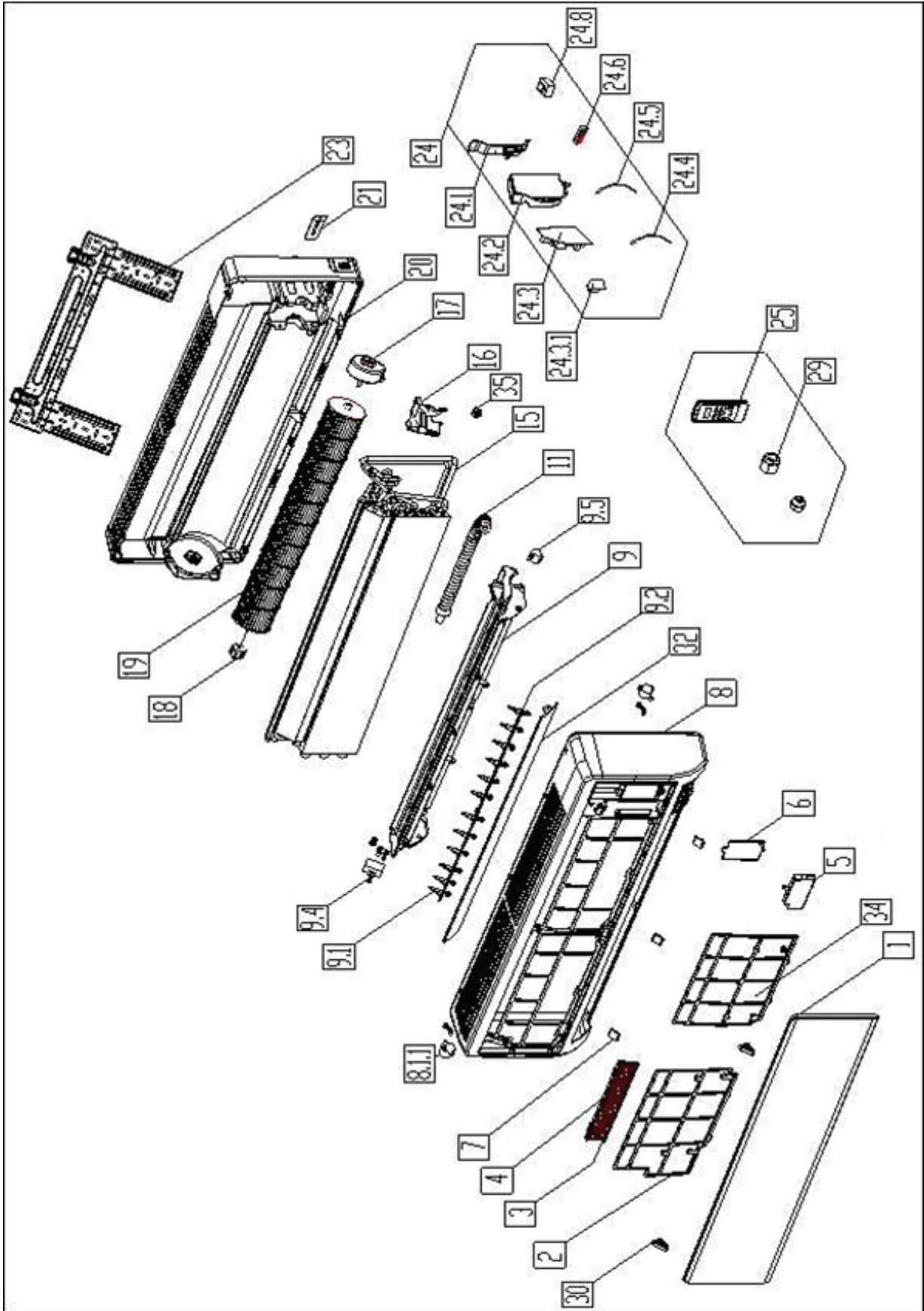
----- Manual continues below -----

HEAT CONTROLLER

**REPLACEMENT
PARTS LIST**

**InverterFlex Multizone
Inverter Heat Pump
Ductless Mini-Splits
B-VMH18FC-1
Indoor Evaporator**

EXPLODED VIEW



REPLACEMENT PARTS

Location	Part Name	Quantity	Part No.
1	Panel assembly	1	2011328A1507
2	Air filter(left)	1	201132890025
3	Air cleaner	1	201131410703
4	Bracket of air filter	1	201132200713
5	Display box assembly	1	203332890007
6	Cover of indoor electronic control box	1	201132490008
7	Screw cap	3	201132890026
8	Panel frame assembly	1	201132890584
8.1	Panel frame assembly	1	201132890019
8.1.1	Louver motor	1	202400200042
9	Air outlet assembly (w/evap. pan)	1	201132890678
9.1	Vertical vane	12	201132890241
9.2	Louver holder	1	201132890243
9.2	Louver holder	2	201132890242
9.4	Ionizer generator	1	202403000003
9.5	Louver motor	1	202400200040
11	Drain hose	1	201101020038
15	Evaporator assembly	1	201532890109
16	Fan motor cover	1	201132890021
17	Asynchronous motor	1	202400300419
18	Bearing base	1	202730100201
19	Cross flow fan	1	201100200107
20	Chassis assembly	1	201132890048
21	Pipe clamp board	1	201130100204
23	Installation plate	1	201232790008
24	Electronic control box assembly	1	203352090182
24.1	Cover of electronic control box	1	201132890015
24.2	Electronic control box	1	201132890014
24.3	Main control board assembly	1	201352090268
24.3.1	Fan motor capacitor	1	202401200001
24.4	Ambient temperature sensor assembly	1	202433190000
24.5	Pipe temperature sensor assembly	1	202301300080
24.6	Wire joint (Terminal Joint)	1	202301420101
24.8	Transformer	1	202300900116
25	Remote Controller	1	203355091200
29	Nut	1	201600320002
29	Nut	1	201600320000
30	Hinge Slide groove	2	201132890023
32	Horizontal louver	1	201132890060
34	Air filter(right)	1	201132890024
35	Fix clamp of temperature sensor	1	201102000305

Due to ongoing product improvements, specifications and dimensions are subject to change and correction without notice or incurring obligations. Determining the application and suitability for use of any product is the responsibility of the installer. Additionally, the installer is responsible for verifying dimensional data on the actual product prior to beginning any installation preparations.

Incentive and rebate programs have precise requirements as to product performance and certification. All products meet applicable regulations in effect on date of manufacture; however, certifications are not necessarily granted for the life of a product. Therefore, it is the responsibility of the applicant to determine whether a specific model qualifies for these incentive/rebate programs.

HEAT CONTROLLER

1900 Wellworth Ave., Jackson MI 49203 • Ph. 517-787-2100 • www.heatcontroller.com

A  Company