

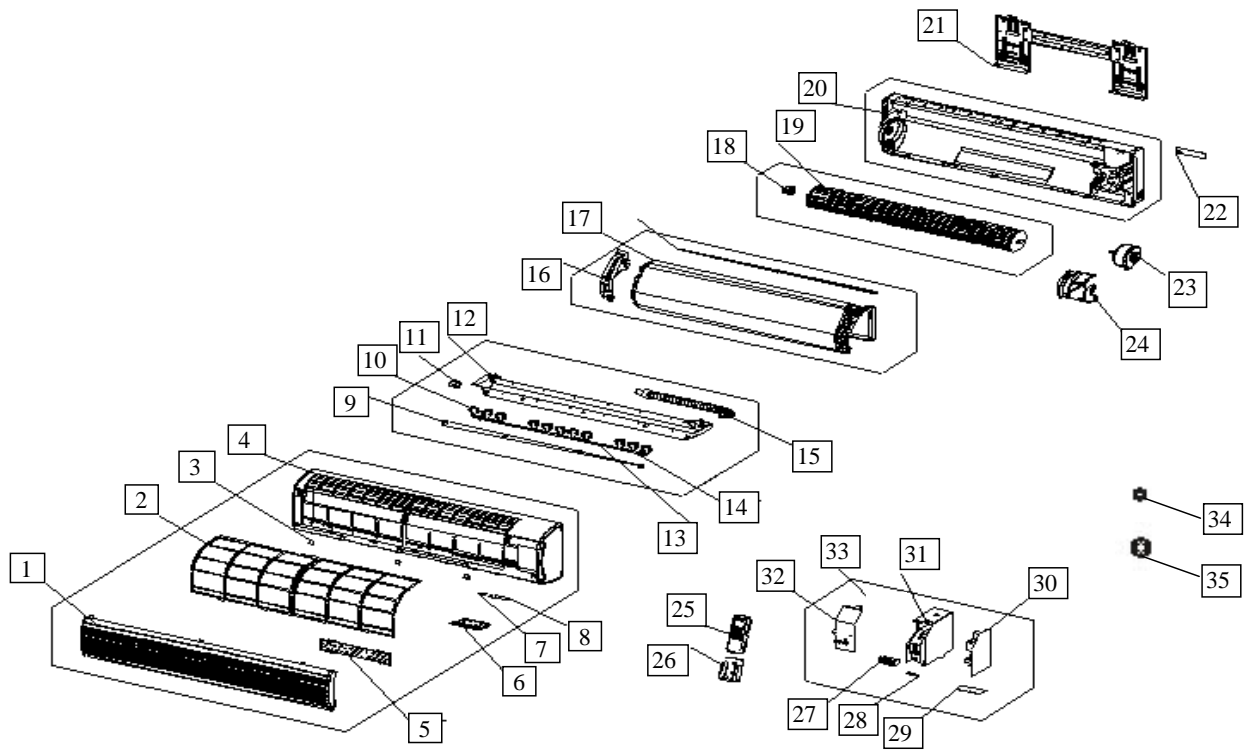
HEAT CONTROLLER, INC.

REPLACEMENT
PARTS

SMA09SA-0

**Mini-Split Air Conditioner
Cooling Only**

Exploded View Parts for Model: SMA09SA-0 115V 60Hz Indoor Unit

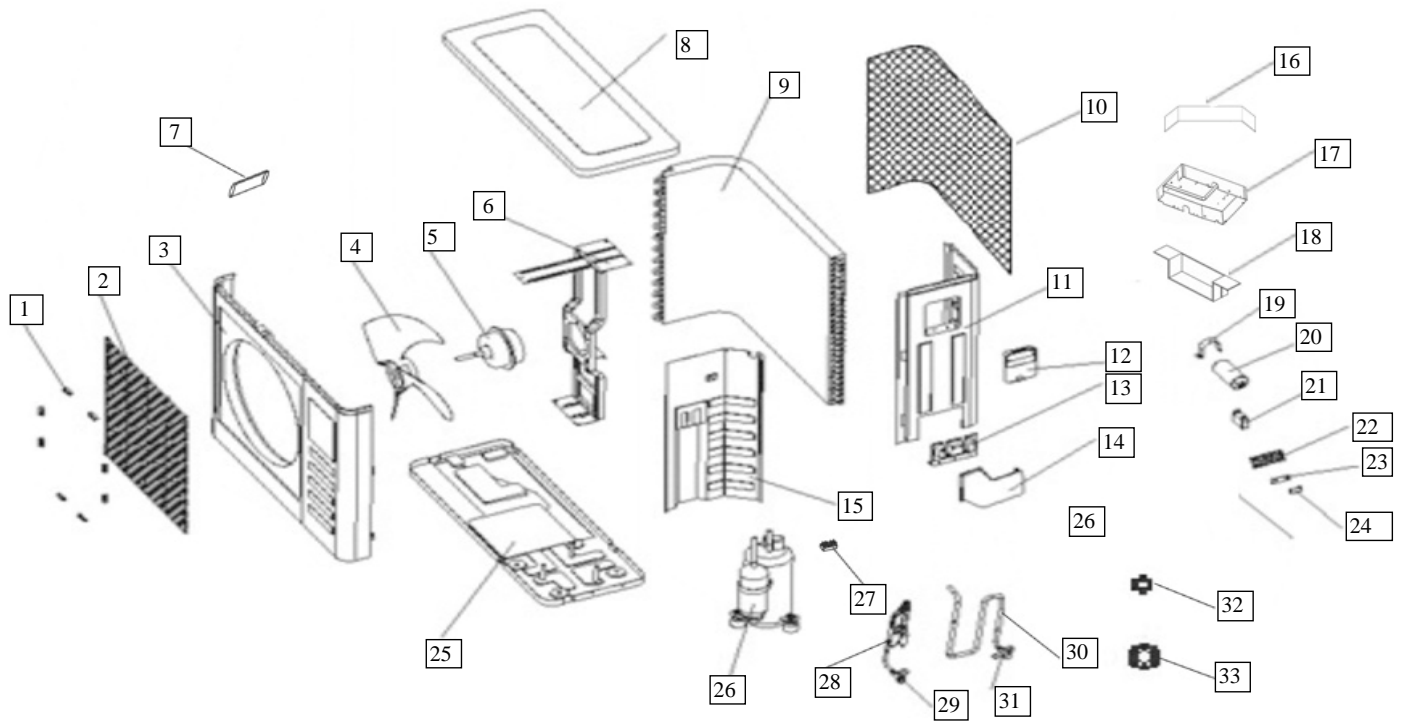


SMA09SA-0

No.	Part Name	Quantity	Part Number
1	Front Panel	1	10912121001
2	Air Filter	2	10312121202
3	Screw cap	3	10312121203
4	Panel frame	1	10912121002
5	Air cleaner	1	10109121226
6	Display Panel	1	10312121232
7	Window for receiver	1	10412121201
8	Indicator for LED	1	10412121202
9	Horizontal louver	1	10312121205
10	Vertical louver	11	10312121206
11	Louver motor	1	10312121207
12	Air out frame	1	10912121004
13	Louver holder	1	10312121219
14	Louver rocker	2	10312121218
	Rocker gasket	2	10309121214
15	Drain hose	1	10112121213R
16	Left holder for evaporator	1	30012144054
17	Evaporator	1	10312121248
18	Bearing holder	1	10309121220
19	Cross flow fan, assy	1	10312121213
20	Chassis	1	10312121214
21	Installation Plate	1	10312121215
22	Connecting pipe clamp	1	10309121225
23	Fan motor	1	10609111002
24	Motor cover	1	15012113006
25	Remote Controller (FAHRENHEIT)	1	10312121268
26	Holder, Remote Controller	1	10718121009
27	Wire joint	1	10609111006
28	Wire clamp	1	10309121235
29	Display board	1	10318111001
30	Main control board	1	10318111002
	program chip	1	10312121240
31	E-Parts Box	1	10312121223
32	E-part box cover	1	10318111003
33	Electric control assy	1	10312121264
34	Copper nut, TLM-A01	1	10909121012
35	Copper nut, TLM-B02	1	10909121013

Part Name	Quantity	Part Number
Remote Controller (CELSIUS)	1	13407111013

Exploded View Parts for Model : SMA09SA-0 115V 60Hz Outdoor Unit



SMA09SA-0

No.	Part Name	Quantity	Part Number
1	Clamp for front net	6	10112121801
2	Front Net Cover Ass'y	1	10109121801
3	Front clapboard	1	13012111801
4	Propeller fan	1	10112121803
5	Fan Motor	1	12109114801
6	Holder for fan motor	1	20409111802
7	Small Handle	1	10830121811
8	Cover	1	13012111805
9	Condensor assembly	1	10312121249
10	Rear net	1	13518111035
11	Right clapboard	1	10318111008
12	Big Handle	1	10309121003
13	Installation plate for valves	1	10118113805
14	Water collector	1	10118121832
15	Separating board	1	10309121004
16	Installation board for E-parts	1	10309121006
17	Electronic control box	1	10312121236
18	E-parts installation box	1	11018121824
19	Capacitor Clamp	1	10109121822
20	Compressor capacitor	1	10318111009
21	Fan motor capacitor	1	11442122024
22	Washer for wire joint	1	10112121817
23	Wire joint	1	10309121005
24	Wire Clamp	1	10112121816
25	Chassis	1	11212111001
26	Compressor	1	10312121246
27	Over current protector	1	10309121007
28	Liquid valve assembly	1	10312121269
29	Liquid pipe valve	1	50118121802
30	Gas valve assembly	1	10312121542
31	Low Pressure Valve	1	10409121806
32	Copper nut, TLM-A01	1	10909121012
33	Copper nut, TLM-B02	1	10909121013
34	PCB,outdoor unit	1	10312121245

**Design, material, performance data and components
subject to change without notice.**

HEAT CONTROLLER, INC.

1900 Wellworth Ave Jackson, Michigan 49203 • Ph. 517-787-2100 • Fax 517-787-9341

THE QUALITY LEADER IN CONDITIONING AIR

www.heatcontroller.com