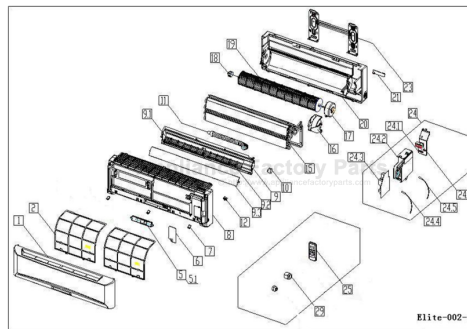


This Owner's Manual is provided and hosted by [Appliance Factory Parts](#).



COMFORT-AIRE B-SMA09SC Owner's Manual

[Shop genuine replacement parts for COMFORT-AIRE
B-SMA09SC](#)



[Find Your COMFORT-AIRE HVAC Parts - Select From 1486 Models](#)

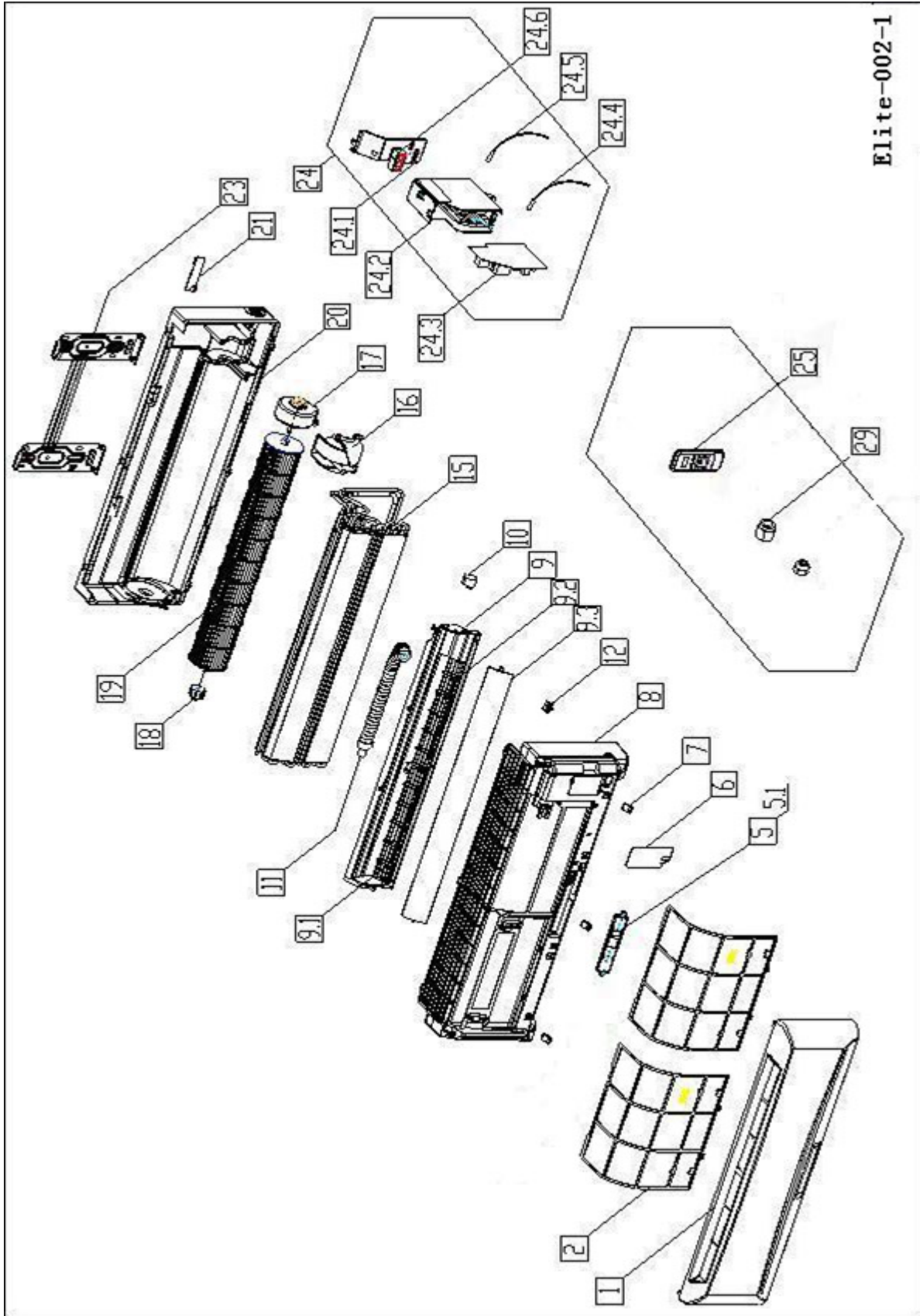
----- Manual continues below -----

HEAT CONTROLLER, INC.

REPLACEMENT PARTS LIST

**Single Zone Cooling Only
Ductless Mini-Splits
B-SMA09SC
Indoor Evaporator**

EXPLODED VIEW



REPLACEMENT PARTS

Location	Part Name	Quantity	Part No.
1	Panel assembly	1	2011325A2254
2	Air filter	2	201130490113
5	Display box assembly	1	203332390981
5.1	Display board assembly	1	201332391266
6	Cover of indoor electronic control box	1	201130490186
7	Screw cap	3	201132590521
8	Panel frame assembly	1	201132590523
9	Air outlet assembly	1	201132590526
9.1	Vertical vane	10	201130490140
9.2	Louver holder	2	201130410358
9.3	Horizontal louver	1	201132590770
10	Louver motor	1	202400200006
11	Drain hose	1	201101020038
15	Evaporator assembly	1	201532390171
16	Fan motor cover	1	201130490106
17	Asynchronous motor	1	202400300008
18	Bearing base	1	202730100201
19	Cross flow fan	1	201100200306
20	Chassis assembly	1	201132590522
21	Pipe clamp board	1	201130100204
23	Installation plate	1	201232490002
24	Electronic control box assembly	1	203332390134
24.1	Cover of electronic control box	1	201130490184
24.2	Electronic control box	1	2011325A3225
24.3	Main control board assembly	1	201332390104
24.4	Indoor temperature sensor assembly	1	202432390005
24.5	Pipe temperature sensor assembly	1	202301300584
24.6	Wire joint	1	202301400064
25	Remote Controller	1	203355091201
29	Nut	1	201600320001
29	Nut	1	201600320000
42	Fix clamp of temperature sensor	1	201102000305

Design, material, performance data and components
subject to change without notice.

HEAT CONTROLLER, INC.

1900 Wellworth Ave., Jackson, MI 49203 • Ph. 517-787-2100 • Fax 517-787-9341

THE QUALITY LEADER IN CONDITIONING AIR

www.heatcontroller.com