

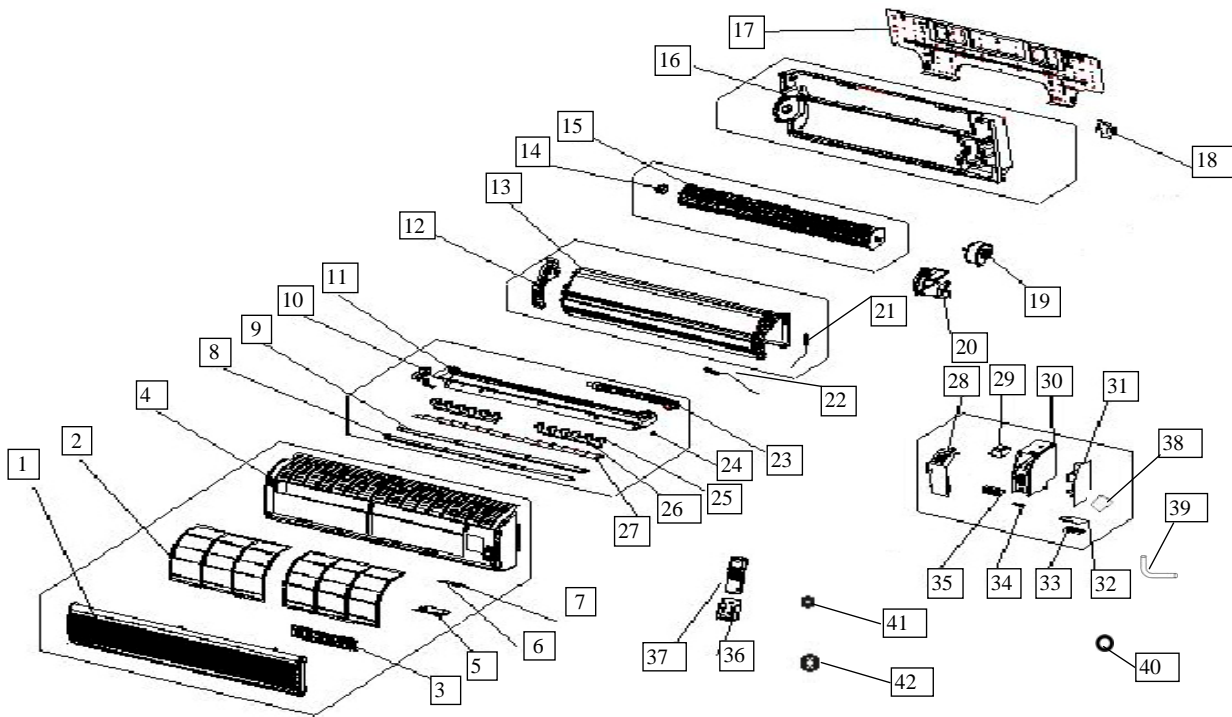
HEAT CONTROLLER, INC.

REPLACEMENT  
PARTS

**SMA12SA-0**

**Mini-Split Air Conditioner  
Cooling Only**

**Exploded View Parts for Model: SMA12SA-0 115V 60Hz Indoor Unit**

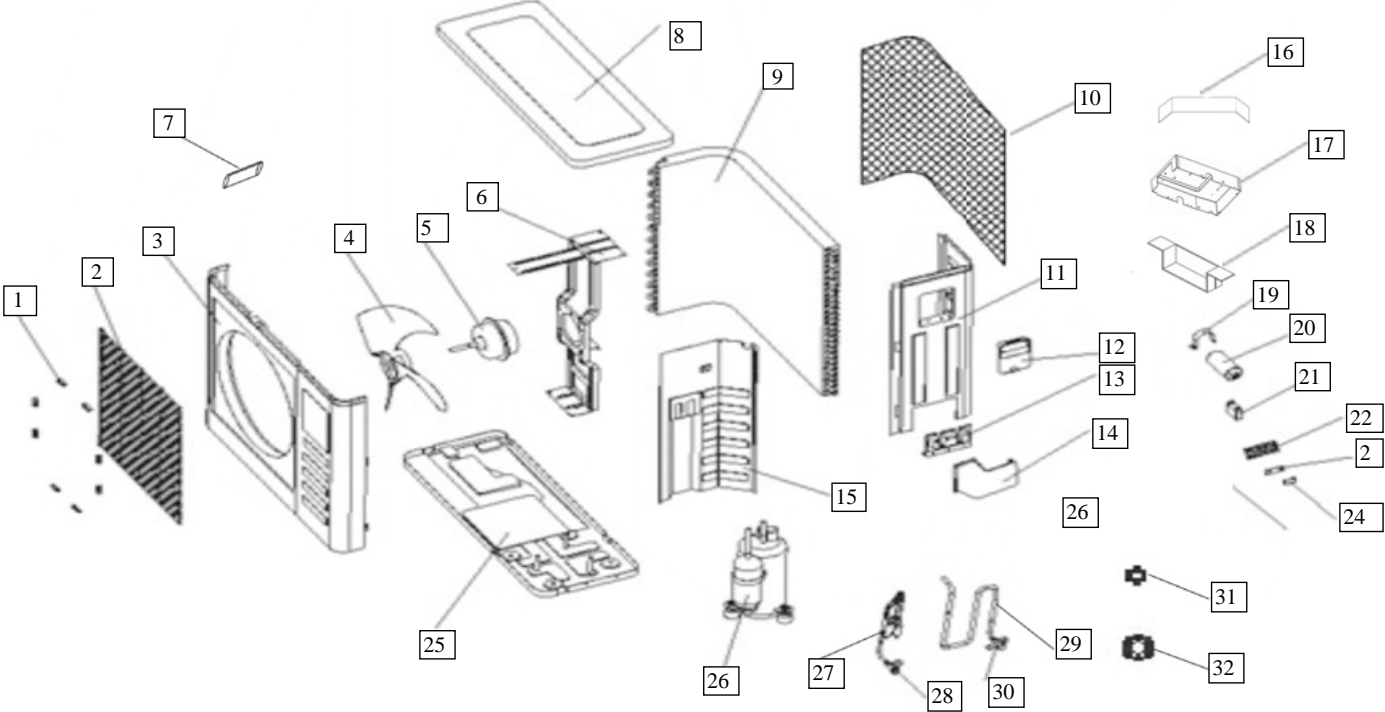


**SMA12SA-0 Indoor Unit**

No.	Part Name	Quantity	Part Number
1	Front panel	1	10318121201
2	Air filter	2	10318121202
3	Air cleaner	1	10109121226
	Air cleaner holder	1	10109121225
4	Panel frame	1	10318121203
5	Display panel	1	10418111001
6	Protector for temp sensor	1	10112121224
7	Clamp for temp sensor	1	10109121231
8	Horizontal louver, up	1	10318121205
9	Horizontal louver, down	1	10318121206
10	Louver motor	1	10316121202
11	Air out frame	1	10318121208
12	Left holder for evaporator	1	10318121210
13	Evaporator	1	10318121251
14	Bearing holder	1	10318121212
15	Cross flow fan, ass'y	1	10318121213
16	Chassis	1	10318121215
17	Installation plate	1	10318121216
18	Connecting pipe clamp	1	10318121217
19	DC motor	1	10312121259
20	Motor cover	1	10318121222
21	Evaporator temp sensor	1	10109121242
22	Indoor temp sensor	1	10109121243
23	Drain hose	1	10318113022
24	Bush	2	10318121224
25	Louver	12	10318121225
26	Louver holder	2	10318121226
27	Connecting bar for louver	1	10318121227
28	E-part box cover	1	10318121228
29	Program Chip	1	10312121241
30	E-parts box	1	11318113002
31	Main control board	1	10312121242
32	Display board, ass'y	1	10312121244
33	Display board enclosure	1	10312121231
34	Wire clamp for power cord	1	10318121234
35	Wire joint, 4p	1	10609111006
36	Holder, remote controller	1	10718121009
37	Remote controller (FAHRENHEIT)	1	10312121268
38	Switch board	1	10312121243
39	Connection pipe for drainage	1	11609121003
40	Sealing ring	1	31009321021
41	Copper nut, TLM-A01	1	10909121012
42	Copper nut, TLM-C03	1	10912121019

Part Name	Quantity	Part Number
Remote Controller (CELSIUS)	1	13407111013

**Exploded View Parts for Model SMA12SA-0 115V 60Hz Outdoor Unit**



**SMA12SA-0 Outdoor Unit**

<b>No.</b>	<b>Part Name</b>	<b>Quantity</b>	<b>Part Number</b>
1	Clamp for front net	6	10112121801
2	Front Net Cover Ass'y	1	10109121801
3	Front clapboard	1	11612121804
4	Propeller fan	1	10112121803
5	Fan Motor	1	12109114801
6	Holder for fan motor	1	12909121801R
7	Small Handle	1	10830121811
8	Cover	1	11612121806
9	Condensor assembly	1	12812111802
10	Rear net	1	11607111058
11	Right clapboard	1	10312121239
12	Big Handle	1	10309121003
13	Installation plate for valves	1	10309121809
14	Water collector	1	10312121811
15	Separating board	1	12909121804
16	Installation board for E-parts	1	10312121238
17	Electronic control box	1	10318111822
18	E-parts installation box	1	12818111039
19	Capacitor Clamp	1	10109121822
20	Compressor capacitor	1	10318111009
21	Fan motor capacitor	1	11442122024
22	Washer for wire joint	1	10112121817
23	Wire joint	1	10309121005
24	Wire Clamp	1	10112121816
25	Chassis	1	10312113804
26	Compressor	1	10312121247
27	Liquid valve assembly	1	10312121272
28	Liquid pipe valve	1	10307121801
29	Gas valve assembly	1	10312121545
30	Low Pressure Valve	1	10412121801
31	Copper nut, TLM-A01	1	10909121012
32	Copper nut, TLM-C03	1	10912121019
33	Main control board ass'y	1	10312121245

**Design, material, performance data and components  
subject to change without notice.**

## **HEAT CONTROLLER, INC.**

1900 Wellworth Ave Jackson, Michigan 49203 • Ph. 517-787-2100 • Fax 517-787-9341

**THE QUALITY LEADER IN CONDITIONING AIR**

**[www.heatcontroller.com](http://www.heatcontroller.com)**