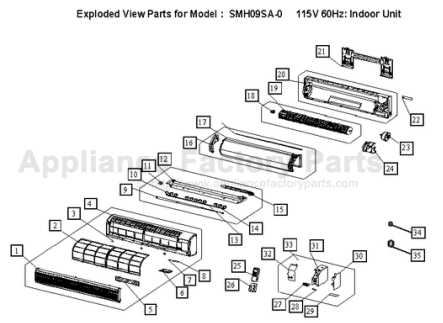


This Owner's Manual is provided and hosted by [Appliance Factory Parts](#).



# COMFORT-AIRE SMH09SA-0 Owner's Manual

[Shop genuine replacement parts for COMFORT-AIRE  
SMH09SA-0](#)



[Find Your COMFORT-AIRE Air Conditioner Parts - Select From 599 Models](#)

----- Manual continues below -----

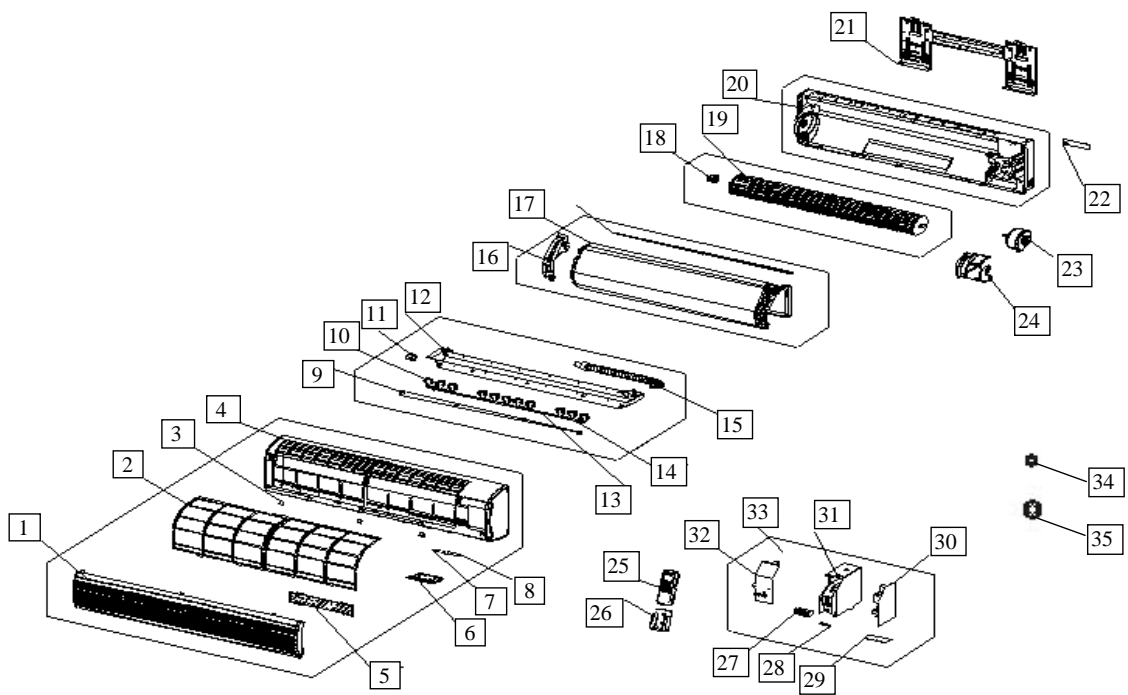
HEAT CONTROLLER, INC.

REPLACEMENT  
PARTS

**SMH09SA-0**

**Mini-Split Air Conditioner  
Heat Pump**

**Exploded View Parts for Model : SMH09SA-0 115V 60Hz: Indoor Unit**

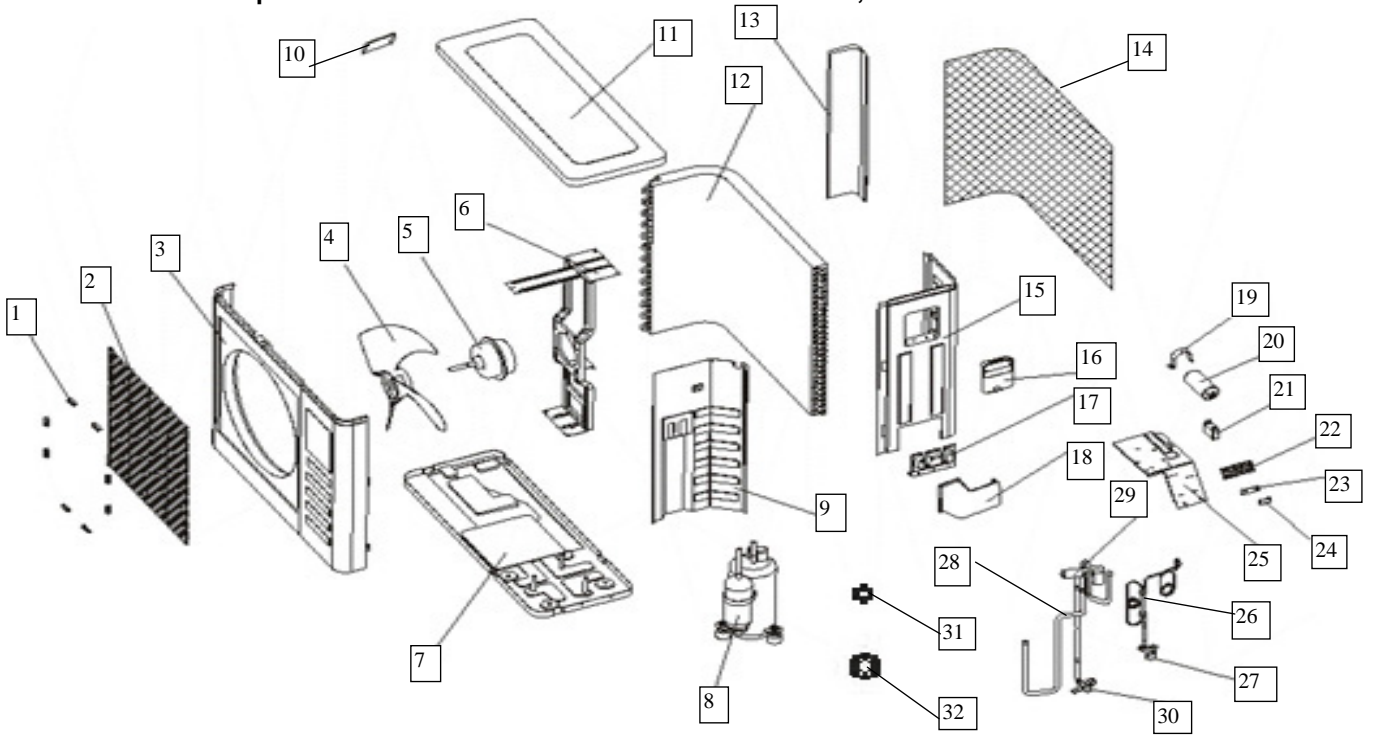


**SMH09SA-0 Indoor Unit**

No.	Part Name	Quantity	Part Number
1	Front Panel	1	10912121001
2	Air Filter	2	10312121202
3	Screw cap	3	10312121203
4	Panel frame	1	10912121002
5	Air cleaner	1	10109121226
6	Display Panel	1	10912121003
7	Window for receiver	1	10412121201
8	Indicator for LED	1	10412121202
9	Horizontal louver	1	10312121205
10	Vertical louver	11	10312121206
11	Louver motor	1	10312121207
12	Air out frame	1	10912121004
13	Louver holder	1	10312121219
14	Louver rocker	2	10312121218
	Rocker gasket	2	10309121214
15	Drain hose	1	10112121213R
16	Left holder for evaporator	1	30012144054
17	Evaporator	1	10312121248
18	Bearing holder	1	10309121220
19	Cross flow fan, assy	1	10312121213
20	Chassis	1	10912121007
21	Installation Plate	1	10312121215
22	Connecting pipe clamp	1	10309121225
23	Fan motor	1	10609111002
24	Motor cover	1	15012113006
25	Remote Controller (FAHRENHEIT)	1	10321121031
26	Holder, Remote Controller	1	10718121009
27	Wire joint	1	10609111006
28	Wire clamp	1	10309121235
29	Display board	1	10318111001
30	Main control board	1	10321121032
	program chip	1	10321121033
31	E-Parts Box	1	10312121223
32	E-part box cover	1	10318111003
33	Electric control assy	1	10321121034
34	Copper nut, TLM-A01	1	10909121012
35	Copper nut, TLM-B02	1	10909121013

Part Name	Quantity	Part Number
Remote Controller (CELSIUS)	1	13407121001

**Exploded View Parts for Model : SMH09SA-0 115V, 60Hz : Outdoor Unit**



**SMH09SA-0 Outdoor Unit**

<b>No.</b>	<b>Part Name</b>	<b>Quantity</b>	<b>Part Number</b>
1	Clamp for front net	6	10112121801
2	Front net	1	10109121801
3	Front clapboard	1	13012111801
4	Propeller fan	1	10112121803
5	Fan motor	1	12109114801
6	Holder for fan motor	1	20409111802
7	Chassis	1	11212111001
8	Compressor	1	10312121246
9	Separating board	1	10309121004
10	Small Handle	1	10830121811
11	Cover	1	13012111805
12	Condenser	1	10321121035
13	Installation board, left	1	13012111803
14	Rear net	1	13518111035
15	Right clapboard	1	10318111008
16	Big handle	1	10309121003
17	Installation plate for valves	1	10118113805
18	Water collector	1	10118121832
19	Capacitor clamp	1	10109121822
20	Compressor capacitor	1	10318111009
21	Fan motor capacitor	1	11442122024
22	Wire joint	1	10309121005
23	Washer for wire joint	1	10112121817
24	Clamp for wiring	1	10112121816
25	Installation board for E-parts	1	10312121236
26	High Pressure Valve Ass'y	1	10321121036
27	Liquid pipe valve	1	50118121802
28	Four-way Valve Ass'y	1	10312121543
29	4-ways valve	1	10321121038
30	Low-pressure Valve	1	10409121806
31	Copper nut, TLM-A01	1	10909121012
32	Copper nut, TLM-B02	1	10909121013
33	Main control board ass'y	1	10321121039
34	Outdoor pipe temp sensor	1	12909121803
35	Electric control assy	1	10321121040

**Design, material, performance data and components  
subject to change without notice.**

## **HEAT CONTROLLER, INC.**

1900 Wellworth Ave Jackson, Michigan 49203 • Ph. 517-787-2100 • Fax 517-787-9341

**THE QUALITY LEADER IN CONDITIONING AIR**

**[www.heatcontroller.com](http://www.heatcontroller.com)**