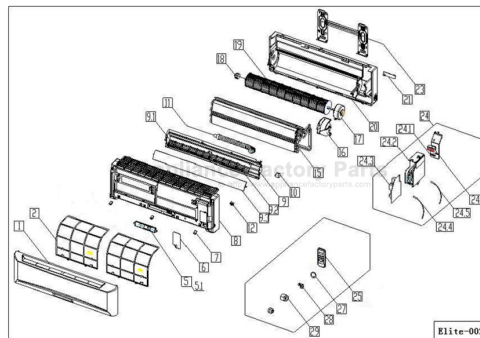


This Owner's Manual is provided and hosted by [Appliance Factory Parts](http://Appliance Factory Parts).



# COMFORT-AIRE B-SMH09SC Owner's Manual

[Shop genuine replacement parts for COMFORT-AIRE  
B-SMH09SC](#)



[Find Your COMFORT-AIRE HVAC Parts - Select From 1486 Models](#)

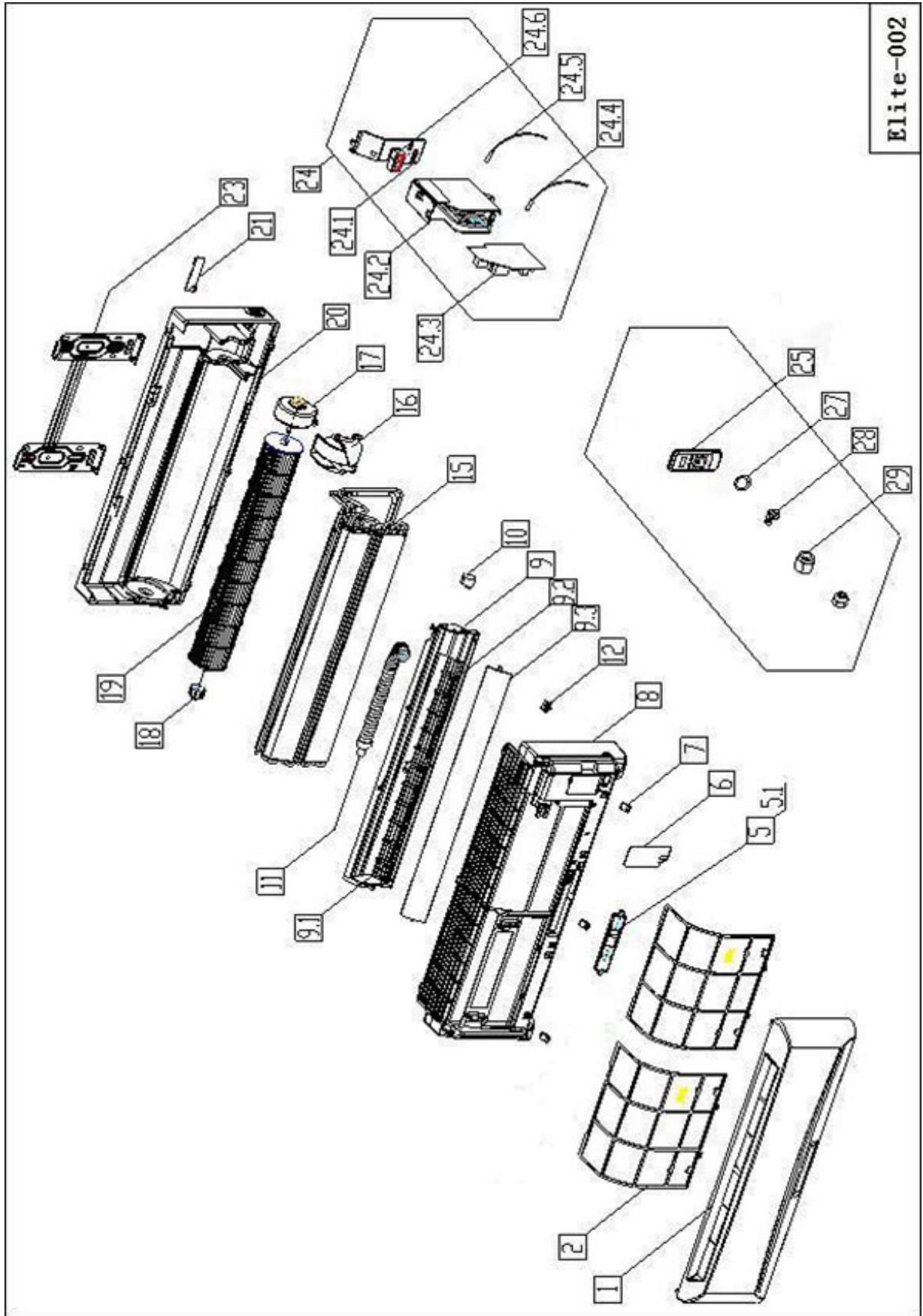
----- Manual continues below -----

HEAT CONTROLLER

**REPLACEMENT  
PARTS LIST**

**Single Zone Heat Pump  
Ductless Mini-Splits  
B-SMH09SC  
Indoor Evaporator**

# EXPLODED VIEW



# REPLACEMENT PARTS

Location	Part Name	Quantity	Part No.
1	Panel assembly	1	2011325A2254
2	Air filter	2	201130490113
5	Display box assembly	1	203332390278
5.1	Display board assembly	1	201332390220
6	Cover of indoor electronic control box	1	201130490186
7	Screw cap	3	201132590521
8	Panel frame assembly	1	201132590523
9	Air outlet assembly	1	201132590526
9.1	Vertical vane	10	201130490140
9.2	Louver holder	2	201130410358
9.3	Horizontal louver	1	201132590770
10	Louver motor	1	202400200006
11	Drain hose	1	201101020038
15	Evaporator assembly	1	201532390171
16	Fan motor cover	1	201130490106
17	Asynchronous motor	1	202400300008
18	Bearing base	1	202730100201
19	Cross flow fan	1	201100200306
20	Chassis assembly	1	201132590522
21	Pipe clamp board	1	201130100204
23	Installation plate	1	201232490002
24	Electronic control box assembly	1	203332390136
24.1	Cover of electronic control box	1	201130490184
24.2	Electronic control box	1	2011325A3225
24.3	Main control board assembly	1	201332390104
24.4	Indoor temperature sensor assembly	1	202432390005
24.5	Pipe temperature sensor assembly	1	202301300584
24.6	Terminal strip	1	202301400064
25	Remote Controller	1	203355091202
27	Seal ring	1	202720090001
28	Drain connecter	1	201101020011
29	Nut	1	201600320001
29	Nut	1	201600320000
42	Fix clamp of temperature sensor	1	201102000305
29	Nut	1	201600320000
31	Fixing board of bear	1	201130510515
42	Fix clamp of temperature sensor	1	201102000305

Due to ongoing product improvements, specifications and dimensions are subject to change and correction without notice or incurring obligations. Determining the application and suitability for use of any product is the responsibility of the installer. Additionally, the installer is responsible for verifying dimensional data on the actual product prior to beginning any installation preparations.

Incentive and rebate programs have precise requirements as to product performance and certification. All products meet applicable regulations in effect on date of manufacture; however, certifications are not necessarily granted for the life of a product. Therefore, it is the responsibility of the applicant to determine whether a specific model qualifies for these incentive/rebate programs.

# HEAT CONTROLLER

1900 Wellworth Ave., Jackson MI 49203 • Ph. 517-787-2100 • [www.heatcontroller.com](http://www.heatcontroller.com)

A  Company