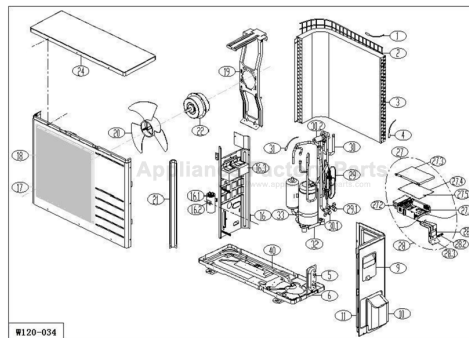


This Owner's Manual is provided and hosted by [Appliance Factory Parts](#).



COMFORT-AIRE A-VMH12SC-1 Owner's Manual

[Shop genuine replacement parts for COMFORT-AIRE
A-VMH12SC-1](#)



[Find Your COMFORT-AIRE HVAC Parts - Select From 1486 Models](#)

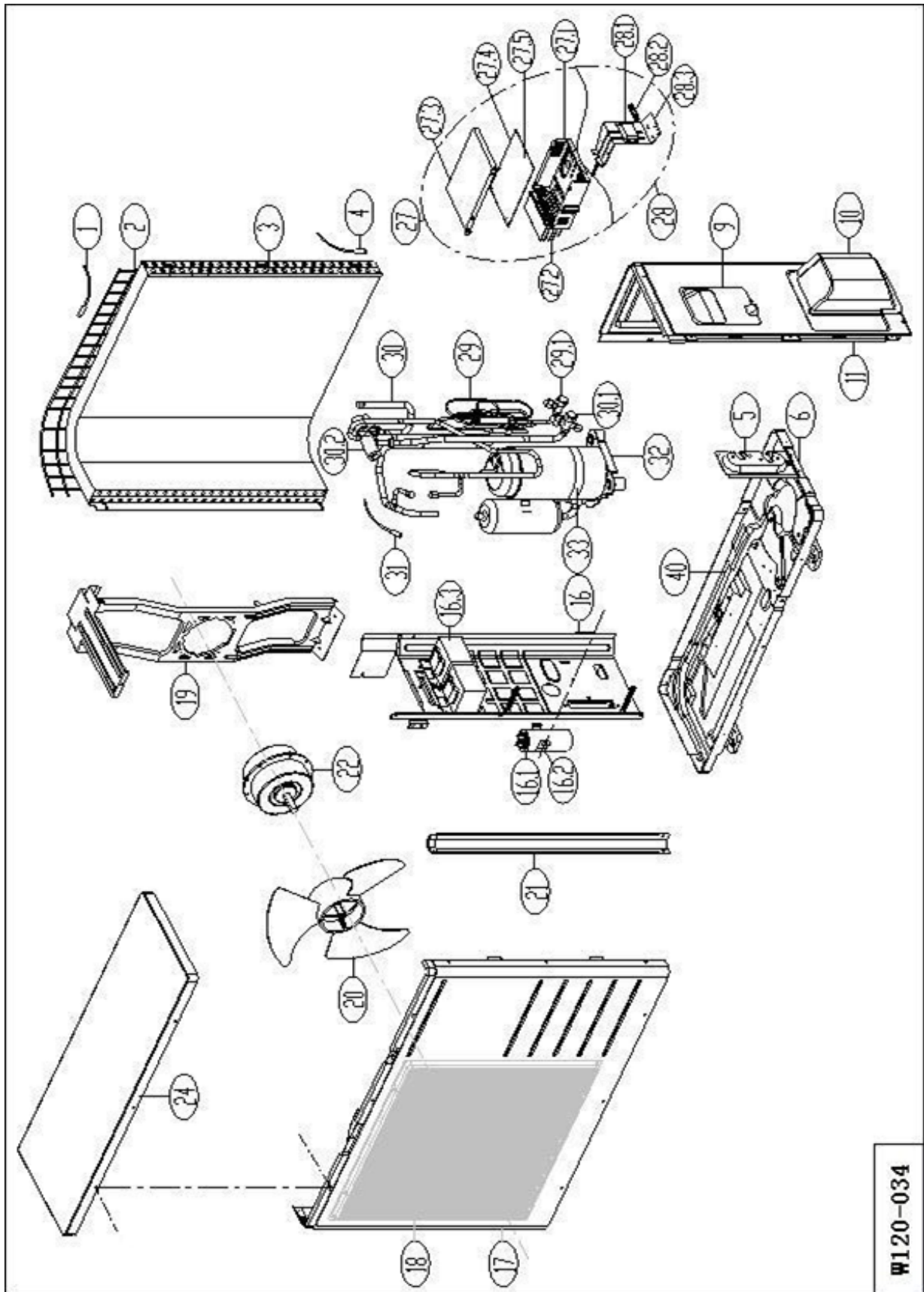
----- Manual continues below -----

HEAT CONTROLLER

**REPLACEMENT
PARTS LIST**

**Single Zone Inverter
Ductless Mini-Splits
A-VMH12SC-1
Outdoor Heat Pump**

EXPLODED VIEW



W120-034

REPLACEMENT PARTS

Location	Part Name	Quantity	Part No.
1	Outdoor air temperature sensor assembly	1	202301310063
2	Rear net	1	2011374G0003
3	Condenser assembly	1	201537490008
4	Pipe temperature sensor assembly	1	202440500004
5	Valve plate	1	201237200282
6	Chassis assembly	1	201237590091
9	Big handle	1	201237390104
10	Water collector	1	201137400000
11	Rear right clapboard assembly	1	201237590080
16	Partition board assembly	1	201237500213
16.1	Capacitor of compressor	1	202401000612
16.2	Capacitor clip	1	201200100002
16.3	Reactance (Reactor)	1	202301000820
16.3	Reactance (Reactor)	1	202301000819
17	Front panel	1	201237400392
18	Air outlet grille	1	201237390113
19	Support assembly of fan motor	1	201237390026
20	Axial flow fan	1	201100390002
21	Left support	1	201237400400
22	Asynchronous motor	1	202400370023
24	Top cover assembly	1	201237400405
27	Electronic control box assembly	1	203337390166
27.1	Electronic control box	1	201237300033
27.2	Radiator	1	202301901043
27.3	Cover of electronic control box	1	201237300162
27.4	Main control board assembly	1	201337390096
27.5	Support of electronic control box	1	201137300162
28	Terminal board assembly	1	203337590049
28.1	Wire joint	1	202301400223
28.2	Insulation plate	1	201135000004
28.3	Terminal board	1	201237590046
29	Liquid valve assembly	1	201637490232
29.1	Liquid valve	1	201600740523
30	Gas valve assembly	1	201637590195
30.1	Gas valve	1	201600720195
30.2	4-Ways valve	1	201600690010
31	Discharge temperature sensor assembly	1	202301310068
32	Compressor	1	201400620600
33	Crankcase electric heater	1	202403100501
40	Electric heater of chassis	1	202403100187

Due to ongoing product improvements, specifications and dimensions are subject to change and correction without notice or incurring obligations. Determining the application and suitability for use of any product is the responsibility of the installer. Additionally, the installer is responsible for verifying dimensional data on the actual product prior to beginning any installation preparations.

Incentive and rebate programs have precise requirements as to product performance and certification. All products meet applicable regulations in effect on date of manufacture; however, certifications are not necessarily granted for the life of a product. Therefore, it is the responsibility of the applicant to determine whether a specific model qualifies for these incentive/rebate programs.

HEAT CONTROLLER

1900 Wellworth Ave., Jackson MI 49203 • Ph. 517-787-2100 • www.heatcontroller.com

A  Company