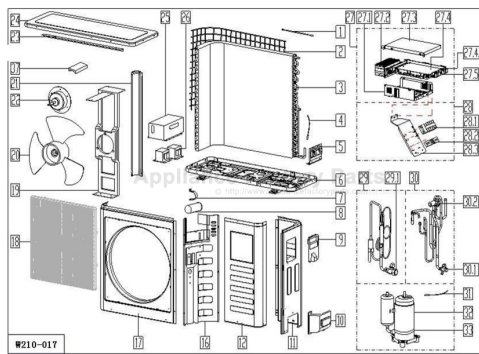


This Owner's Manual is provided and hosted by [Appliance Factory Parts](#).



# COMFORT-AIRE A-VMH18SC-1 Owner's Manual

[Shop genuine replacement parts for COMFORT-AIRE  
A-VMH18SC-1](#)



[Find Your COMFORT-AIRE HVAC Parts - Select From 1486 Models](#)

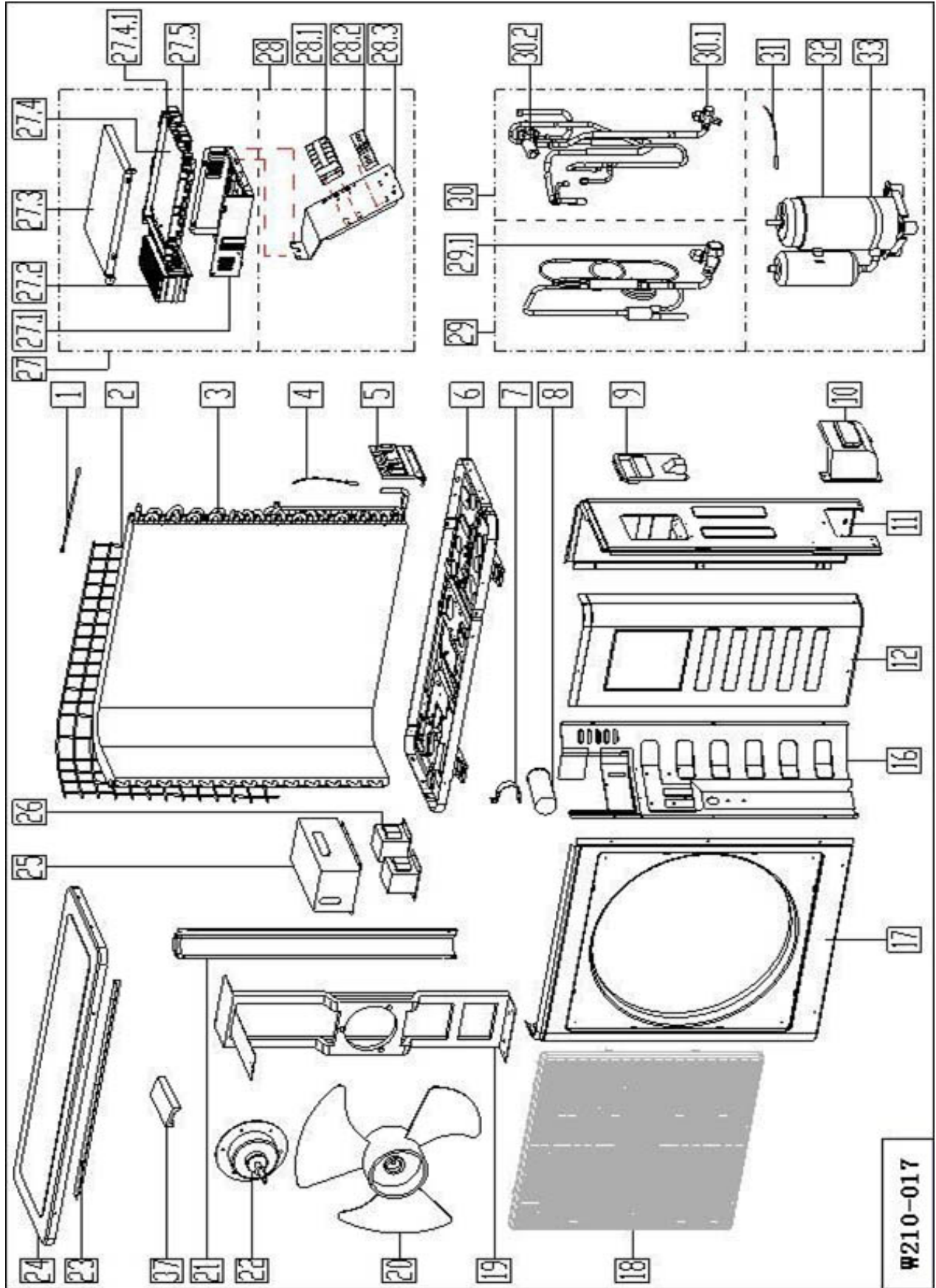
----- Manual continues below -----

HEAT CONTROLLER

**REPLACEMENT  
PARTS LIST**

**Single Zone Inverter  
Ductless Mini-Splits  
A-VMH18SC-1  
Outdoor Heat Pump**

# EXPLODED VIEW



# REPLACEMENT PARTS

Location	Part Name	Quantity	Part No.
1	Outdoor air temperature sensor	1	202301310075
2	Rear net	1	2011481G0001
3	Condenser assembly	1	201537990036
4	Pipe temperature sensor assembly	1	202440500004
5	Valve plate	1	201237300285
6	Chassis assembly	1	201257090054
7	Capacitor clip	1	201200100026
8	Capacitor of compressor	1	202401000612
9	Big handle	1	201237390104
10	Water collector	1	201137390017
11	Rear right clapboard assembly	1	201237890100
12	Front right clapboard assembly	1	201248100350
16	Partition board assembly	1	201237790031
17	Front panel	1	201248100359
18	Air outlet grille	1	201237890119
19	Support assembly of fan motor	1	2012481G0039
20	Axial flow fan	1	201145500002
21	Left support	1	201248100367
22	Asynchronous motor	1	202400400173
23	Rear support	1	201248100076
24	Top cover assembly	1	201248100363
25	Reactor Cover	1	201248090001
26	Reactance (Reactor)	1	202301050026
26	Reactance (Reactor)	1	202301000819
27	Electronic control box assembly	1	203338090138
27.1	Electronic control box	1	201237300033
27.2	Radiator	1	202301900112
27.3	Cover of electronic control box	1	201237300162
27.4	Main control board assembly	1	201338090033
27.4.1	Fan motor capacitor	1	202401200152
27.5	Support of electronic control box	1	201137300162
28	Terminal board assembly	1	203337990161
28.1	Wire joint	1	202301450118
28.2	Insulation plate	1	201135000004
28.3	Terminal board	1	201237890064
29	Liquid valve assembly	1	201637790385
29.1	Liquid valve	1	201600700078
30	4-way valve assembly	1	201637790384
30.1	Gas valve	1	201600720194
30.2	4-Ways valve	1	201600690011
31	Discharge temperature sensor assembly	1	202301310068
32	Compressor	1	201400600530
33	Crankcase electric heater	1	202403100501
37	Fan motor fixing foam	1	202245500001
42	Clamp of front net	8	201135110801

Due to ongoing product improvements, specifications and dimensions are subject to change and correction without notice or incurring obligations. Determining the application and suitability for use of any product is the responsibility of the installer. Additionally, the installer is responsible for verifying dimensional data on the actual product prior to beginning any installation preparations.

Incentive and rebate programs have precise requirements as to product performance and certification. All products meet applicable regulations in effect on date of manufacture; however, certifications are not necessarily granted for the life of a product. Therefore, it is the responsibility of the applicant to determine whether a specific model qualifies for these incentive/rebate programs.

# HEAT CONTROLLER

1900 Wellworth Ave., Jackson MI 49203 • Ph. 517-787-2100 • [www.heatcontroller.com](http://www.heatcontroller.com)

A  Company