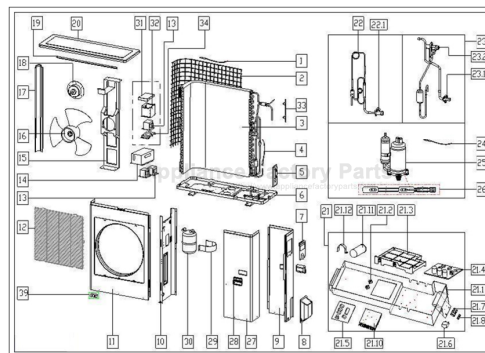


This Owner's Manual is provided and hosted by [Appliance Factory Parts](#).



COMFORT-AIRE A-VMH30SC-1 Owner's Manual

[Shop genuine replacement parts for COMFORT-AIRE
A-VMH30SC-1](#)



[Find Your COMFORT-AIRE HVAC Parts - Select From 1486 Models](#)

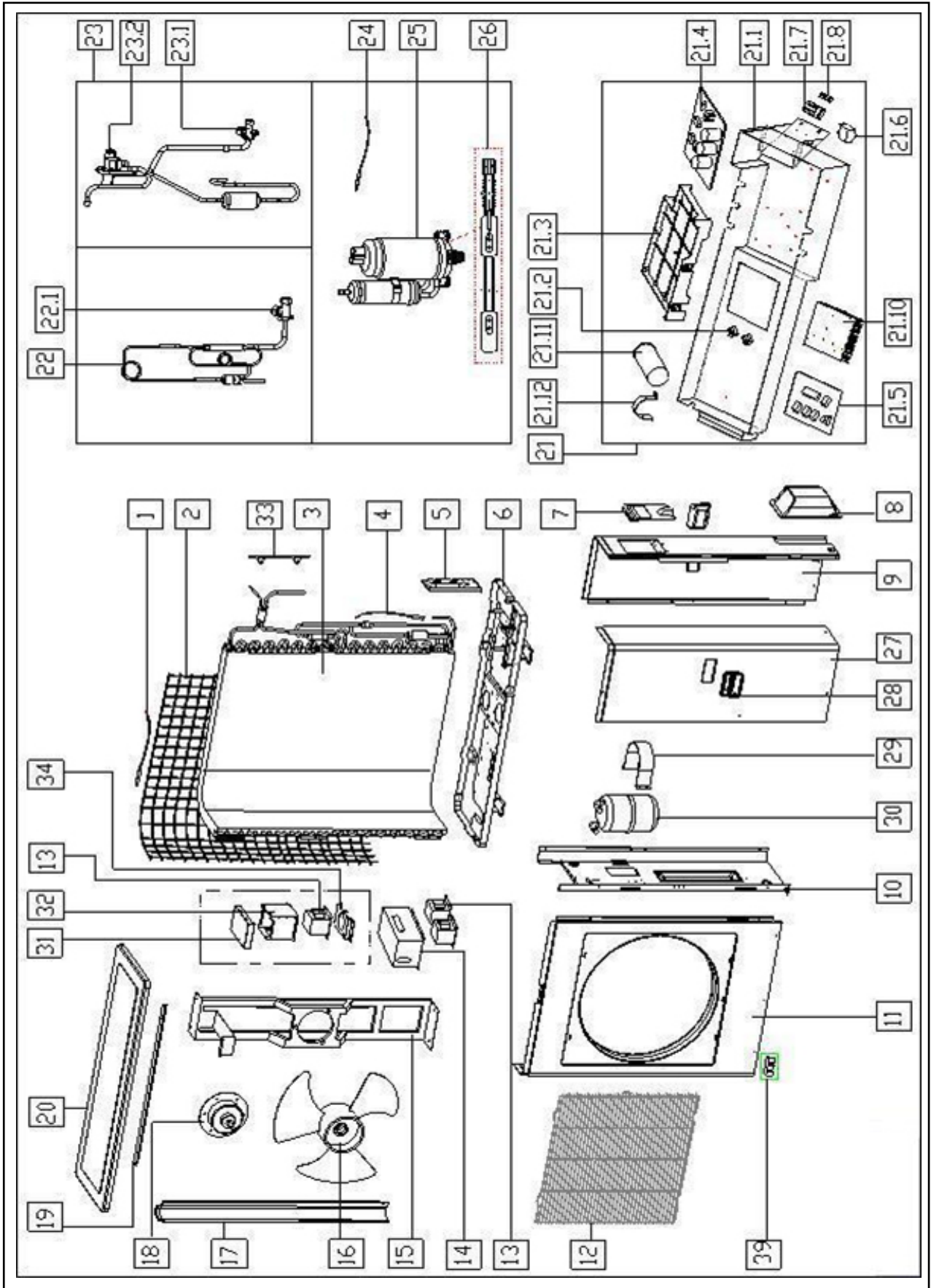
----- Manual continues below -----

HEAT CONTROLLER

**REPLACEMENT
PARTS LIST**

**Single Zone Inverter
Ductless Mini-Splits
A-VMH30SC-1
Outdoor Heat Pump**

EXPLODED VIEW



REPLACEMENT PARTS

Location	Part Name	Quantity	Part No.
1	Ambient temperature sensor assembly	1	202301310075
2	Rear net	1	2011482G0001
3	Condenser assembly	1	201538090077
4	Pipe temperature sensor assembly	1	202301300111
5	Valve plate	1	201248300316
6	Chassis assembly	1	2012753A0097
7	Big handle	1	201237390104
8	Water collector	1	201138090002
9	Rear right clapboard assembly	1	201238090067
10	Partition board assembly	1	201257390018
11	Front panel	1	201248200103
12	Air outlet grille	1	2012380A0016
13	Reactance	1	202301000913
13	Reactance	1	202301050027
13	Reactance	1	202301050025
14	Cover of inductance	1	201248390003
15	Supporter assembly of fan motor	1	201238090007
16	Axial flow fan	1	201100300042
17	Left supporter	1	201248400036
18	Asynchronous motor	1	202400410666
19	Rear supporter	1	201248200095
20	Top cover assembly	1	201248300309
21	Electronic control box assembly	1	2033381A0034
21.1	Electronic control box	1	201238190016
21.2	Rectifier bridge	2	202300500328
21.3	Installation plate of PCB	1	201157390005
21.4	Main control board assembly	1	2013381A0019
21.5	Inverter control board assembly	1	201338190053
21.6	Fan motor capacitor	1	202401190019
21.7	Wire joint	1	202301470038
21.7	Wire joint	1	202301450122
21.8	Insulation plate	1	201137300185
21.10	Radiator	1	202301900126
21.11	Capacitor of compressor	1	202401090057
21.12	Capacitor clip	1	201200100057
22	liquid valve assembly	1	201638190490
22.1	Liquid valve	1	201600740706
23	4-way valve assembly	1	201638190294
23.1	Gas valve	1	201600720398
23.2	4-Ways valve	1	201600600119
24	Discharge temperature sensor assembly	1	202448200000
25	Compressor	1	201400601740
26	Crankcase electric heater	1	202403100503
27	Front right clapboard assembly	1	201248200082
28	Handle	2	201148700009
29	Fix clamp of segregator	1	201245000901
30	accumulator cylinder	1	201601000086
31	Inductance cover	1	201248390001
32	Protecting board of inductance	1	201248390002
33	Waterproof board	1	201137990000
34	Inductance holder	1	201250200305
39	Clamp of front net	8	201135110801

Design, material, performance data and components subject to change without notice.

HEAT CONTROLLER

1900 Wellworth Ave., Jackson, Michigan 49203 • Ph. 517-787-2100 • Fax 517-787-9341

www.heatcontroller.com

THE QUALITY LEADER IN CONDITIONING AIR