

This Owner's Manual is provided and hosted by [Appliance Factory Parts](http://www.appliancefactoryparts.com).

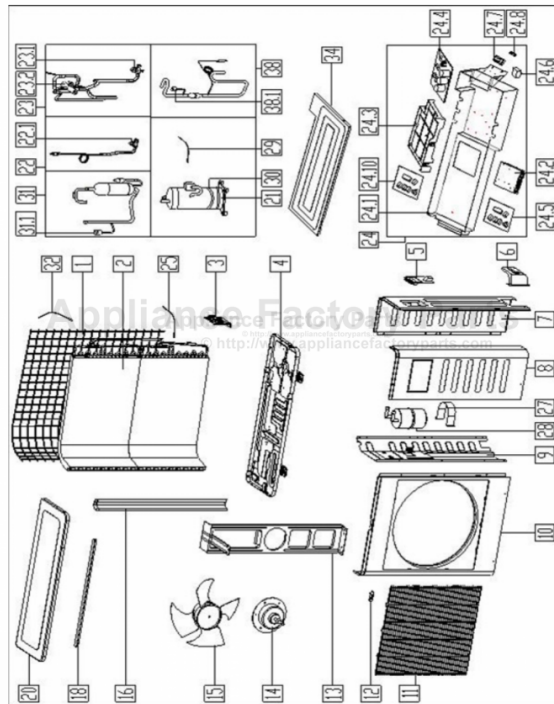


COMFORT-AIRE A-VMH36SC-1 Owner's Manual

[Shop genuine replacement parts for COMFORT-AIRE
A-VMH36SC-1](#)

Ductless Mini-Splits REPLACEMENT PARTS LIST Heat Controller

EXPLODED VIEW



[Find Your COMFORT-AIRE HVAC Parts - Select From 1486 Models](#)

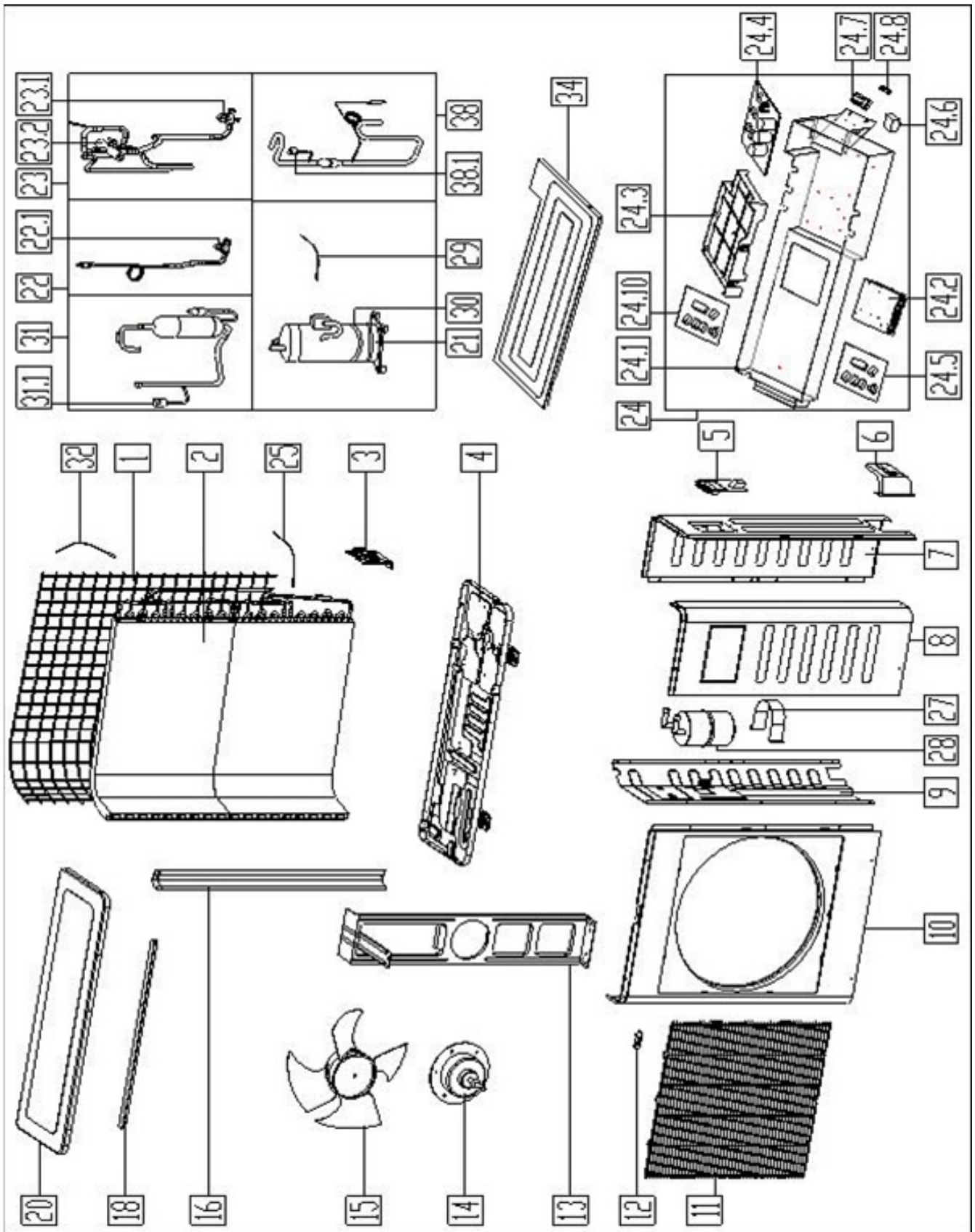
----- Manual continues below -----

HEAT CONTROLLER

**REPLACEMENT
PARTS LIST**

**Single Zone Inverter
Ductless Mini-Splits
A-VMH36SC-1
Outdoor Heat Pump**

EXPLODED VIEW



REPLACEMENT PARTS

Location	Part Name	Quantity	Part No.
1	Rear net	1	2011487G0001
2	Condenser assembly	1	201538190031
3	Valve plate	1	201248790014
4	Chassis assembly	1	2012571A0021
5	Big handle	1	201237390104
6	Water collector	1	201148790000
7	Rear right clapboard assembly	1	201248700256
8	Front right clapboard assembly	1	201248700056
9	Partition board assembly	1	2012571A0019
10	Front panel	1	201248700072
11	Air outlet grille	1	2012487A0025
12	Clamp of front net	10	201135110801
13	Supporter assembly of fan motor	1	201275590200
14	Asynchronous motor	1	202400400956
15	Axial flow fan	1	201100300145
16	Left supporter	1	201248700262
18	Rear net frame	1	2012487G0011
20	Top cover assembly	1	201257190096
21	Compressor	1	201401500220
22	liquid valve assembly	1	201638190489
22.1	Liquid valve	1	201600740704
23	4-way valve assembly	1	201675590827
23.1	Gas valve	1	201600770802
23.2	4-Ways valve	1	201600600124
24	Electronic control box assembly	1	2033381A0044
24.1	Electronic control box	1	201275590179
24.2	Radiator	1	202301901085
24.3	Installation plate of PCB	1	201157390005
24.4	Main control board assembly	1	2013381A0028
24.5	Inverter control board assembly	1	201357290001
24.6	Fan motor capacitor	1	202401190046
24.7	Wire joint	1	202301450118
24.8	Insulation plate	1	201137300185
24.10	PFC module assembly	1	201319901145
25	Pipe temperature sensor assembly	1	202301300111
27	Fix clamp of segregator	1	201245000901
28	Accumulator cylinder	1	201601000074
29	Discharge temperature sensor	1	202448200000
30	Crankcase electric heater	1	202495030150
31	Discharge pipe assembly	1	201675590834
31.1	Pressure switch	1	202301820020
32	Ambient temperature sensor assembly	1	202301310075
34	Cover of electronic control box	1	201257190052
38	Suction pipe assembly	1	201675590832
38.1	Pressure switch	1	202301820021
	Rectifier bridge	2	202300500328

The rectifier bridge is not shown in the exploded view.

Design, material, performance data and components subject to change without notice.

HEAT CONTROLLER

1900 Wellworth Ave., Jackson, Michigan 49203 • Ph. 517-787-2100 • Fax 517-787-9341

www.heatcontroller.com

THE QUALITY LEADER IN CONDITIONING AIR