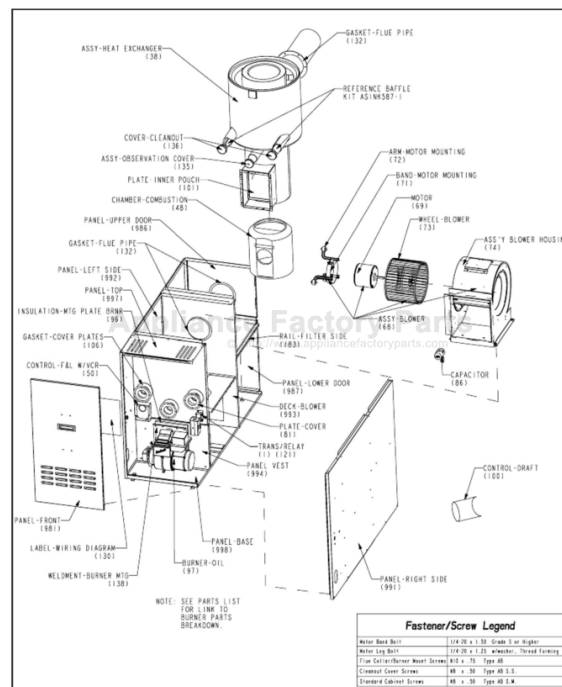


COMFORT-AIRE OUF95-D4 Owner's Manual

[Shop genuine replacement parts for COMFORT-AIRE
OUF95-D4](#)

OUFB-OLFB-OLRB Parts List Oil Furnaces Heat Controller

EXPLODED VIEW - OLRB SERIES



[Find Your COMFORT-AIRE HVAC Parts - Select From 1486 Models](#)

----- Manual continues below -----

HEAT CONTROLLER

**REPLACEMENT
PARTS LIST**

Oil Furnace
OUFB, OLFB, OLRB

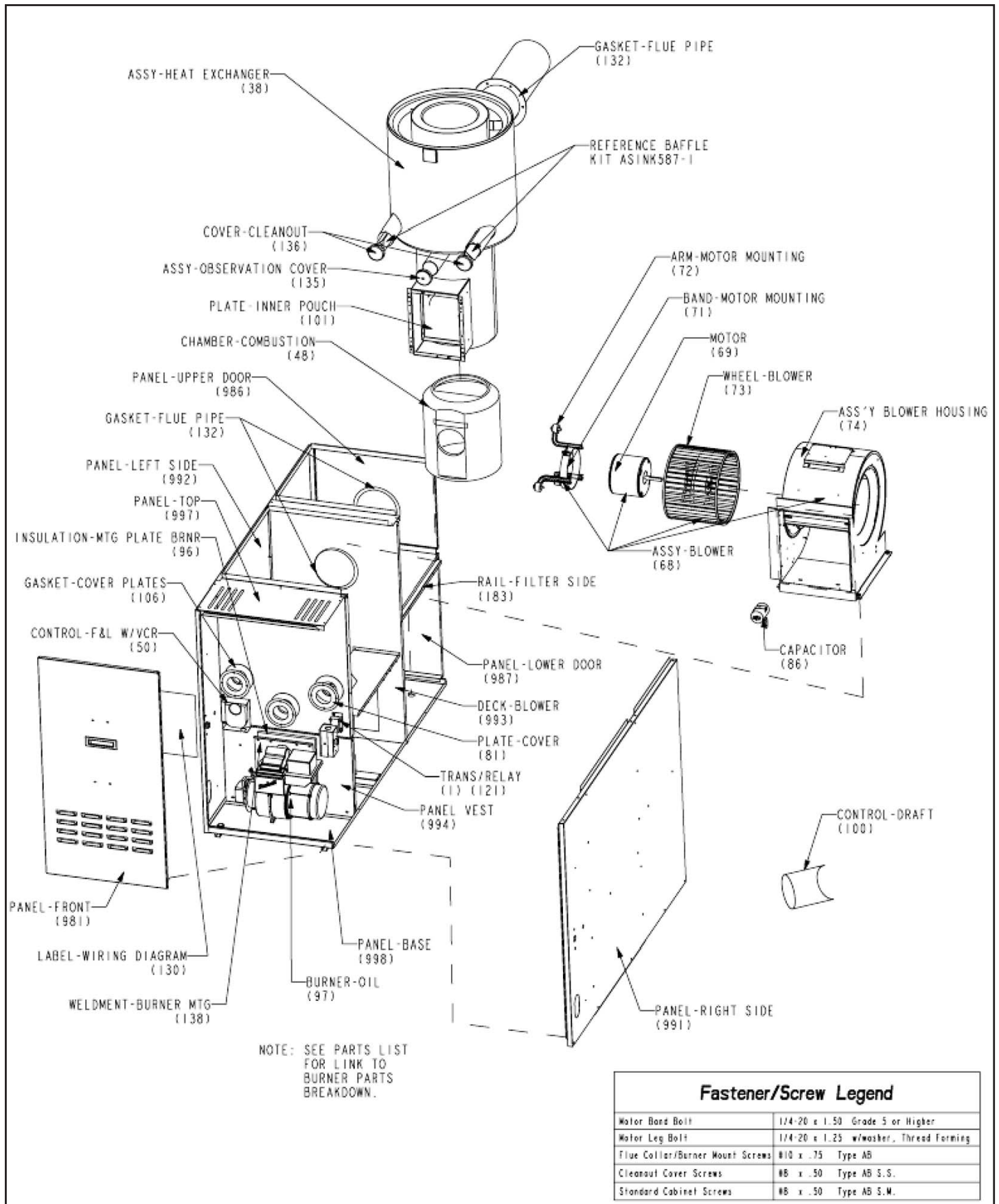
Ref #	Part	Description	OUF			ODF			ODRB			OLFB			OLRB		
			75-D3	95-D4	125-D5	95-D3	125-D5	95-D3	95-D4	125-D5	95-D3	95-D4	125-D5	95-D3	95-D4	125-D5	
38	83K10	R42511-006 HEAT EXCHANGER								1					1		
38	93W29	R42510-006 HEAT EXCHANGER		1			1						1				
38	95W24	R42510-005 ASSY-HEAT EXCH OIL				1						1					
38	95W24	R42510-005 ASSY-HEAT EXCH OIL	1	1													
38	R42511-009	R42511-009 HEAT EXCHANGER														1	
48	35K70	R41917-002 COMB CHAMBER (WET PACK)	1	1			1			1			1			1	
48	35K71	R41924-002 COMB CHAMBER (WET PACK)			1									1		1	
50	11W50	R46105-014 CONTROL-LIMIT 170/140															
50	13P93	HN L4064B2210 FAN & LIMIT CONTROL 11-1/2	1	1												1	
50	21W96	R36604B001 CONTROL-FAN & LIMIT					1										
50	36K14	R01851A017 CONTROL-LIMIT						1									
50	R103504-01	SWITCH-LIMIT CONTROL-LIMIT			1												
50	R103504-02	SWITCH-LIMIT CONTROL-LIMIT														1	
69	28M88	R47465-001 MOTOR 1/2HP1PH120V		1			1			1					1		
69	28M89	R47462-001 MOTOR 1/3HP1PH115V	1														
69	33H45	R47466-001 MOTOR 3/4HP1PH115V			1					1					1		
71	32866	P-8-9501 BAND-MOTOR	1	1			1			1				1			
71	33H39	R38180C001 BAND-MOTOR			1					1				1		1	
72	33H36	R07408B003 ARM-MOTOR MTG	3	3			3			3			3			3	
72	46K05	R07408B008 ARM-MTR MTG			4					4				4		4	
73	45M06	R02592A034 WHEEL-BLOWER			1												
73	47K28	R02592A003 WHEEL-BLOWER	1														
73	47K30	R02592A023 WHEEL-BLOWER											1				
73	47K30	R02592A023 WHEEL-BLOWER														1	
73	47K31	R02592A024 WHEEL-BLOWER												1		1	
73	76K01	R02592A006 WHEEL-BLOWER		1			1			1							
73	86H46	R02592A013 WHEEL-BLOWER											1				
74	30M02	R44777-002 HOUSING-BLOWER	1														
74	11W43	R44777-007 BLOWER HOUSING		1													
74	R44777-005	ASSY-BLOWER HOUSING												1			
74	R44777-006	ASSY-BLOWER HOUSING													1		
74	R44777-009	ASSY-BLOWER HOUSING														1	
74	11W43	R44777-007 BLOWER HOUSING		1													
74	11W44	R44777-008 BLOWER HOUSING			1												

Ref #	Part	Description	OUF			ODF			ODRB			OLFB			OLRB		
			75-D3	95-D4	125-D5	95-D3	125-D5	95-D3	95-D5	95-D3	95-D4	125-D5	95-D3	95-D4	125-D5	95-D3	95-D4
74	36K27	02581C057 HOUSING-BLOWER				1					1						
75	R33328C014	RAIL-BLOWER SUPPORT				2	2				2						
75	R33328C017	RAIL-BLOWER SUPPORT			2												
75	R41788-001	RAIL-RIGHT BLOWER	1														
75	R41788-002	RAIL-LEFT BLOWER	1														
75	R41788-005	RAIL-RIGHT BLOWER		1													
75	R41788-006	RAIL-LEFT BLOWER		1													
81	R41804-001	PLATE-COVER						2									
81	R41804-001	PLATE-COVER			2							2					2
81	R41804-001	PLATE-COVER															3
81	R41804-001	PLATE-COVER															3
86	46W17	100463-03 CAPACITOR 7.5MFD @ 370V ROUND	1	1			1				1	1				1	1
86	83W76	100600-10 CAPACITOR 12.5 @ 370			1			1					1				1
96	33H06	R37818B001 Gasket (Insulation-Mtg Plate)	1	1			1	1			1	1				1	1
97	R100195-05	BURNER OIL ARM1809 IND	1														
97	R100195-06	BURNER OIL ARM1810 IND		1			1				1	1				1	1
97	R100195-07	BURNER OIL ARM1811IND			1			1					1			1	1
98	R41911-004	PANEL BASE															1
100	R01207B001	CONTROL-DRAFT	1	1			1	1			1	1				1	1
101	14K69	R32227B000 PLATE-INNER POUCH			1			1			1	1				1	1
130	609516-01	LABEL-WIRING DIAGRAM			1			1					1				1
130	R47323-002	LABEL-WIRING DIAGRAM	1	1													1
130	R47324-002	LABEL-WIRING DIAGRAM					1				1						1
132	35K56	R38937B001 GASKET-FLUE PIPE	1	1			1	1			1	1				1	1
132	36K17	R39765B001 GASKET-FLUE						1			1					1	1
135	R41812-001	COVER-OBSERVATION						1			1	1				1	1
136	35K72	Gasket-Cleanout	3	3			3	3			3	3				3	3
136	R41811-001	COVER-CLEANOUT	2	2			2	2			2	2				2	2
136	R46435-001	GASKET-CLEANOUT COVER			2			2					2				2
138	36K21	R41821-001 PLATE-BURNER MTG	1	1			1	1			1	1				1	1
981	R41789-001H	PANEL-FRONT ACCESS	1	1												1	1
981	R41789-002H	PANEL-FRONT ACCESS			1											1	1
981	R41929-005H	PANEL - DOOR (3)					1				1						1

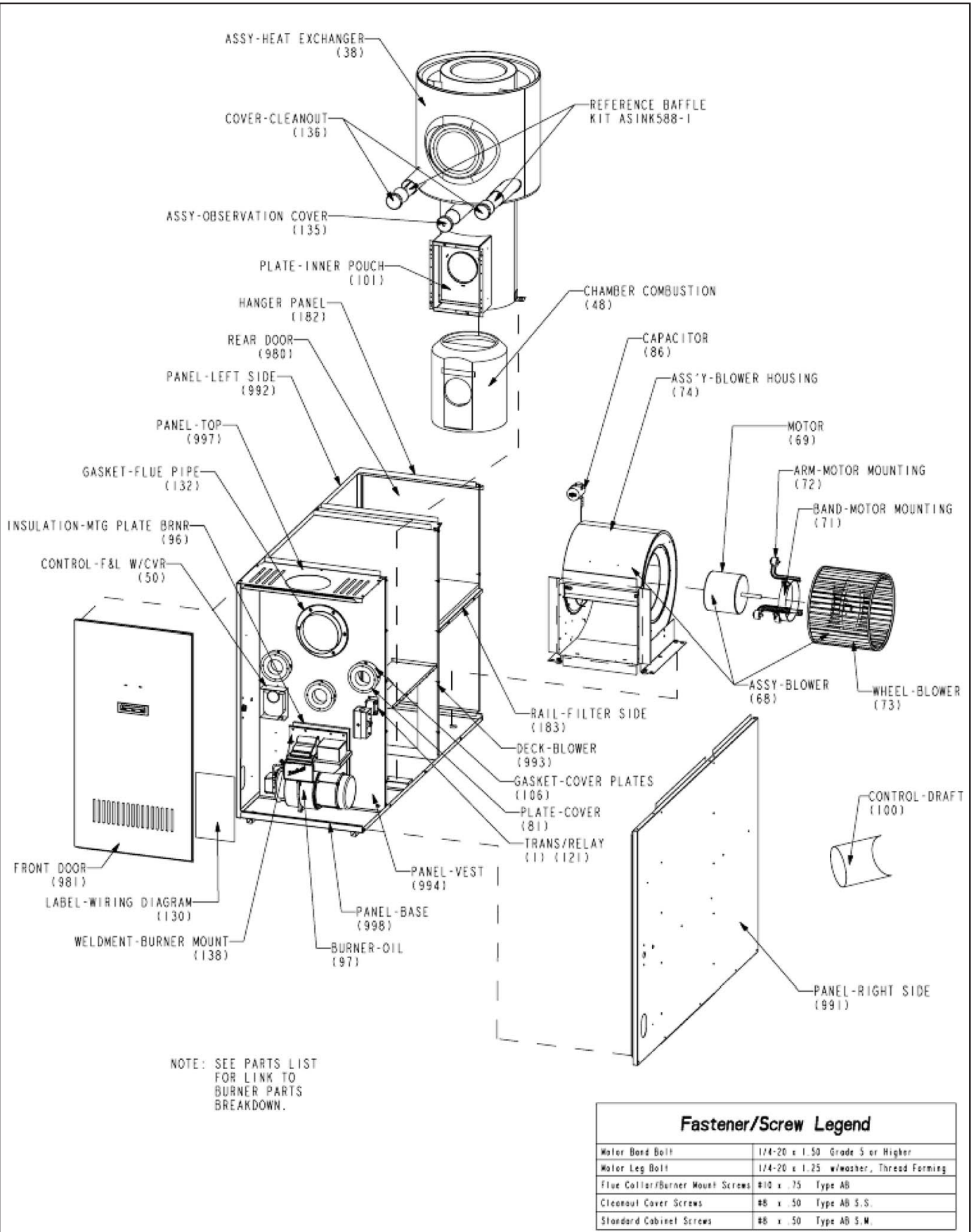
Ref #	Part	Description	OUF			ODF		ODRB	OLFB		OLRB	
			75-D3	95-D4	125-D5	95-D3	125-D5		95-D4	125-D5	95-D4	125-D5
987	R42087-001H	PANEL-LOWER DOOR	1	1								
987	R42087-002H	PANEL-LOWER DOOR		1								
991	96W69	R607787-01H PANEL-RIGHT SIDE		1								
991	R43083-001H	PANEL - RIGHT SIDE	1	1								
991	R43084-001H	PANEL-RIGHT SIDE							1		1	
991	R607786-01H	PANEL RIGHT SIDE								1		1
992	R43083-002H	PANEL-LEFT SIDE	1	1								
992	R43084-002H	PANEL-LEFT SIDE							1		1	
992	R607786-02H	PANEL LEFT SIDE								1		1
992	R607787-02H	PANEL LEFT SIDE			1							
993	R41797-001	BLOWER DECK	1									
993	R41797-003	BLOWER DECK		1								
993	R41797-004	BLOWER DECK			1							
993	R41922-001	PANEL-BLOWER DECK				1						
993	R41922-002	PANEL-BLOWER DECK				1						
994	R41921-001H	PANEL-VEST				1						
994	R41921-003H	VEST PANEL								1		
994	R607784-01H	PANEL-VEST										
994	R607785-01	PANEL-VEST		1						1		
994	R607785-02	PANEL-VEST										1
994	RS41796-001	ASSY-VEST PANEL	1	1		1				1		
994	RS41796-011	PANEL-VEST									1	
995	96W68	R41823-006H PANEL-REAR ACCESS										1
995	R41789-003H	PANEL-REAR DOOR							1			
995	R41789-004H	PANEL-REAR ACCESS								1		
995	R41795-001H	PANEL-REAR	1	1								
995	R41795-002H	PANEL-REAR			1							
995	R41818-002H	PNL-HANG-REAR DOOR									1	
995	R41823-005H	PANEL-LOWER REAR										1
995	R41824-005H	PANEL-UPPER-REAR										1
995	R41824-006H	PANEL-UPPER-REAR										1
997	R41794-001H	PANEL-TOP	1	1						1		
997	R41794-002H	PANEL-TOP			1						1	
997	R41794-003H	PANEL-TOP										1
997	R41794-004H	PANEL-TOP										1

Ref #	Part	Description	OUF			ODF			ODRB			OLFB			OLRB		
			75-D3	95-D4	125-D5	95-D3	125-D5	95-D3	95-D4	125-D5	95-D3	95-D4	125-D5	95-D3	95-D4	125-D5	
997	R607783-01H	PANEL TOP					2										
998	R41792-002	PANEL-BASE		1													
998	R46075-002H	PANEL BASE					1										
121/121A?	21W89	R44298-001 Transformer/Relay	1	1										1			
121/121A?	40L87	R07489B009 RELAY	1	1			1						1				
121/121A?	10B96	101083-04 RELAY ON 1-30,OFF 90-200 SEQ					1							1			
121/121A?	22W04	R07489B001 RELAY-BLOWER DPST			1		1						1				
	33H33	R01240B008 PLATE-CUTOFF															
	45M05	R01240B024 PLATE-CUTOFF		1													
	45M12	R01240B023 PLATE-CUTOFF												1			
	66K04	R01240B003 PLATE-CUTOFF	1														
	R00419B161	TEXTURED GRAY SPRAY PAINT			1									1			
	R41787-003	PANEL-BLOWER FRONT		1													
	R41913-013	PANEL-BLOWER											1				
	R41913-014	PANEL-BLOWER															1
	R41913-015	PANEL-BLOWER															1
	R41913-016	PANEL-BLOWER															1
	R41918-006H	PANEL-BACK					1										
	R41918-007H	PANEL-BACK												1			
	R41918-008H	PANEL-BACK												1			
	R41919-001H	PANEL-TOP/BOTTOM						2									
	R41919-003H	PANEL-TOP BOTTOM															
	R41929-006H	PANEL-DOOR PRE-PAINT (4)												1			
	R41930-001	RAIL-FILTER SIDE													2	2	2
	R46592-001	TRANSFORMER					1							1	1		

EXPLODED VIEW - OLRB SERIES



EXPLODED VIEW - OLFB SERIES



Due to ongoing product improvements, specifications and dimensions are subject to change and correction without notice or incurring obligations. Determining the application and suitability for use of any product is the responsibility of the installer. Additionally, the installer is responsible for verifying dimensional data on the actual product prior to beginning any installation preparations.

Incentive and rebate programs have precise requirements as to product performance and certification. All products meet applicable regulations in effect on date of manufacture; however, certifications are not necessarily granted for the life of a product. Therefore, it is the responsibility of the applicant to determine whether a specific model qualifies for these incentive/rebate programs.

HEAT CONTROLLER

1900 Wellworth Ave., Jackson MI 49203 • Ph. 517-787-2100 • www.heatcontroller.com

A  Company