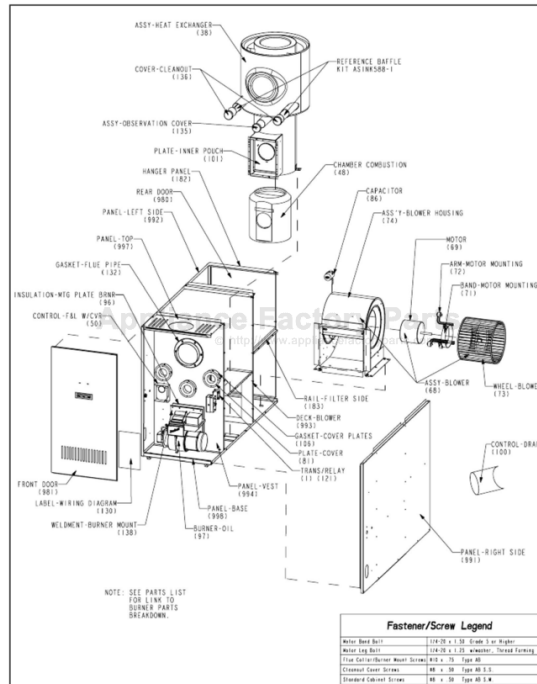


COMFORT-AIRE OLFB95-D4 Owner's Manual

[Shop genuine replacement parts for COMFORT-AIRE
OLFB95-D4](#)

Heat Controller Oil Furnaces OUFB-OLFB-OLRB Parts List

EXPLODED VIEW - OLFB SERIES



[Find Your COMFORT-AIRE HVAC Parts - Select From 1486 Models](#)

----- Manual continues below -----

HEAT CONTROLLER

**REPLACEMENT
PARTS LIST**

Oil Furnace
OUFB, OLFB, OLRB

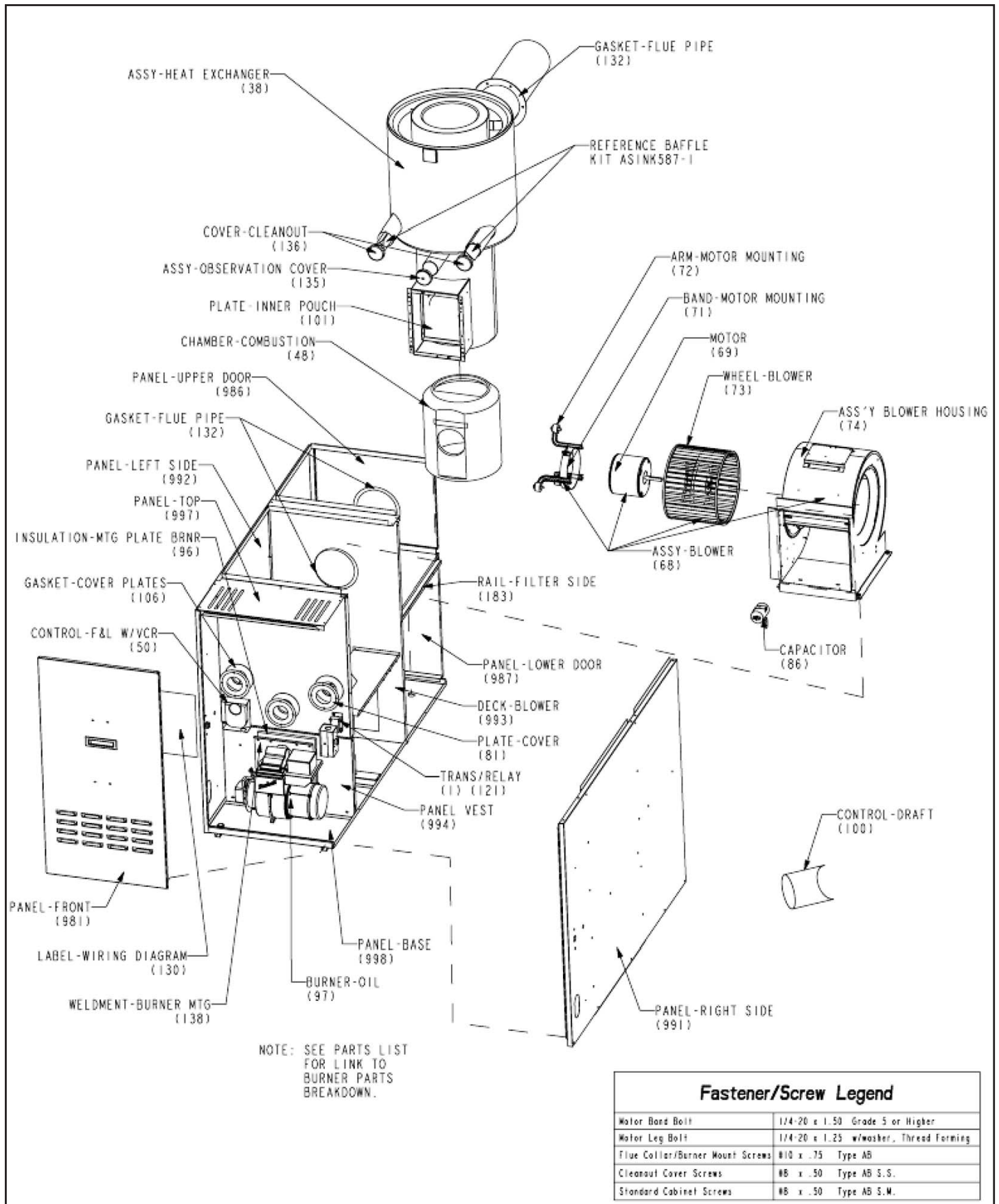
| Ref # | Part | Description | OUF | | | ODF | | | OLFB | | | OLRB | | |
|-------|------------|--|-------|-------|--------|-------|--------|-------|-------|--------|-------|-------|--------|---|
| | | | 75-D3 | 95-D4 | 125-D5 | 95-D3 | 125-D5 | 95-D3 | 95-D4 | 125-D5 | 95-D3 | 95-D4 | 125-D5 | |
| 38 | 83K10 | R42511-006 HEAT EXCHANGER | | | | | | | | | | | 1 | |
| 38 | 93W29 | R42510-006 HEAT EXCHANGER | | 1 | | 1 | | | | | | | | |
| 38 | 95W24 | R42510-005 ASSY-HEAT EXCH OIL | | | | 1 | | | | | | | | |
| 38 | 95W24 | R42510-005 ASSY-HEAT EXCH OIL | 1 | 1 | | | | | | | | | | |
| 38 | R42511-009 | R42511-009 HEAT EXCHANGER | | | | | | | | | | | | 1 |
| 48 | 35K70 | R41917-002 COMB CHAMBER (WET PACK) | 1 | 1 | | 1 | | | | | | | 1 | |
| 48 | 35K71 | R41924-002 COMB CHAMBER (WET PACK) | | | 1 | | | | | | | | | 1 |
| 50 | 11W50 | R46105-014 CONTROL-LIMIT 170/140 | | | | | | 1 | | | | | | |
| 50 | 13P93 | HN L4064B2210 FAN & LIMIT CONTROL 11-1/2 | 1 | 1 | | | | | | | | | 1 | |
| 50 | 21W96 | R36604B001 CONTROL-FAN & LIMIT | | | | 1 | | | | | | | | |
| 50 | 36K14 | R01851A017 CONTROL-LIMIT | | | | | | 1 | | | | | | |
| 50 | R103504-01 | SWITCH-LIMIT CONTROL-LIMIT | | | 1 | | | | | | | | | |
| 50 | R103504-02 | SWITCH-LIMIT CONTROL-LIMIT | | | | | | | | | | | | 1 |
| 69 | 28M88 | R47465-001 MOTOR 1/2HP1PH120V | | 1 | | 1 | | | | | | | 1 | |
| 69 | 28M89 | R47462-001 MOTOR 1/3HP1PH115V | 1 | | | | | | | | | | | |
| 69 | 33H45 | R47466-001 MOTOR 3/4HP1PH115V | | | 1 | | | 1 | | | | | | 1 |
| 71 | 32866 | P-8-9501 BAND-MOTOR | 1 | 1 | | 1 | | | | | | | 1 | |
| 71 | 33H39 | R38180C001 BAND-MOTOR | | | 1 | | | 1 | | | | | | 1 |
| 72 | 33H36 | R07408B003 ARM-MOTOR MTG | 3 | 3 | | 3 | | | | | | | 3 | |
| 72 | 46K05 | R07408B008 ARM-MTR MTG | | | 4 | | | 4 | | | | | | 4 |
| 73 | 45M06 | R02592A034 WHEEL-BLOWER | | | 1 | | | | | | | | | |
| 73 | 47K28 | R02592A003 WHEEL-BLOWER | 1 | | | | | | | | | | | |
| 73 | 47K30 | R02592A023 WHEEL-BLOWER | | | | | | | | | 1 | | | |
| 73 | 47K30 | R02592A023 WHEEL-BLOWER | | | | | | | | | | | | 1 |
| 73 | 47K31 | R02592A024 WHEEL-BLOWER | | | | | | | | | | 1 | | 1 |
| 73 | 76K01 | R02592A006 WHEEL-BLOWER | | 1 | | 1 | | | | | | | 1 | |
| 73 | 86H46 | R02592A013 WHEEL-BLOWER | | | | | | | | | 1 | | | |
| 74 | 30M02 | R44777-002 HOUSING-BLOWER | 1 | | | | | | | | | | | |
| 74 | 11W43 | R44777-007 BLOWER HOUSING | | 1 | | | | | | | | | | |
| 74 | R44777-005 | ASSY-BLOWER HOUSING | | | | | | | | | | 1 | | |
| 74 | R44777-006 | ASSY-BLOWER HOUSING | | | | | | | | | | | 1 | |
| 74 | R44777-009 | ASSY-BLOWER HOUSING | | | | | | | | | | | | 1 |
| 74 | 11W43 | R44777-007 BLOWER HOUSING | | 1 | | | | | | | | | | |
| 74 | 11W44 | R44777-008 BLOWER HOUSING | | | 1 | | | | | | | | | |

| Ref # | Part | Description | OUF | | | ODF | | | ODRB | | | OLFB | | | OLRB | | |
|-------|-------------|--|-------|-------|--------|-------|--------|-------|-------|-------|--------|-------|--------|-------|--------|-------|--------|
| | | | 75-D3 | 95-D4 | 125-D5 | 95-D3 | 125-D5 | 95-D3 | 95-D3 | 95-D4 | 125-D5 | 95-D4 | 125-D5 | 95-D4 | 125-D5 | 95-D4 | 125-D5 |
| 74 | 36K27 | 02581C057 HOUSING-BLOWER | | | | 1 | | | 1 | | | | | | | | |
| 75 | R33328C014 | RAIL-BLOWER SUPPORT | | | | 2 | 2 | | 2 | | | | | | | | |
| 75 | R33328C017 | RAIL-BLOWER SUPPORT | | | 2 | | | | | | | | | | | | |
| 75 | R41788-001 | RAIL-RIGHT BLOWER | 1 | | | | | | | | | | | | | | |
| 75 | R41788-002 | RAIL-LEFT BLOWER | 1 | | | | | | | | | | | | | | |
| 75 | R41788-005 | RAIL-RIGHT BLOWER | | 1 | | | | | | | | | | | | | |
| 75 | R41788-006 | RAIL-LEFT BLOWER | | 1 | | | | | | | | | | | | | |
| 81 | R41804-001 | PLATE-COVER | | | | | | 2 | | | | | | | | | |
| 81 | R41804-001 | PLATE-COVER | | | 2 | | | | | | | 2 | | | | | 2 |
| 81 | R41804-001 | PLATE-COVER | | | | | | | | 3 | | | | | | | |
| 81 | R41804-001 | PLATE-COVER | | | | | | | | | | | | | 3 | | |
| 86 | 46W17 | 100463-03 CAPACITOR 7.5MFD @ 370V ROUND | 1 | 1 | | | 1 | | | 1 | | 1 | | | 1 | | 1 |
| 86 | 83W76 | 100600-10 CAPACITOR 12.5 @ 370 | | | 1 | | | | | | | 1 | | | | | 1 |
| 96 | 33H06 | R37818B001 Gasket (Insulation-Mtg Plate) | 1 | 1 | | | 1 | | | 1 | | 1 | | | 1 | | 1 |
| 97 | R100195-05 | BURNER OIL ARM1809 IND | 1 | | | | | | | | | | | | | | |
| 97 | R100195-06 | BURNER OIL ARM1810 IND | | 1 | | | 1 | | | 1 | | 1 | | | 1 | | 1 |
| 97 | R100195-07 | BURNER OIL ARM1811IND | | | 1 | | | | | | | 1 | | | 1 | | 1 |
| 98 | R41911-004 | PANEL BASE | | | | | | | | | | | | | 1 | | 1 |
| 100 | R01207B001 | CONTROL-DRAFT | 1 | 1 | | | 1 | | | 1 | | 1 | | | 1 | | 1 |
| 101 | 14K69 | R32227B000 PLATE-INNER POUCH | | | 1 | | | | | 1 | | 1 | | | 1 | | 1 |
| 130 | 609516-01 | LABEL-WIRING DIAGRAM | | | 1 | | | | | | | 1 | | | | | 1 |
| 130 | R47323-002 | LABEL-WIRING DIAGRAM | 1 | 1 | | | | | | | | | | | 1 | | 1 |
| 130 | R47324-002 | LABEL-WIRING DIAGRAM | | | | | 1 | | | 1 | | | | | | | |
| 132 | 35K56 | R38937B001 GASKET-FLUE PIPE | 1 | 1 | | | 1 | | | 1 | | 1 | | | 1 | | 1 |
| 132 | 36K17 | R39765B001 GASKET-FLUE | | | | | | | | | | 1 | | | 1 | | 1 |
| 135 | R41812-001 | COVER-OBSERVATION | | | | | | | | | | 1 | | | 1 | | 1 |
| 136 | 35K72 | Gasket-Cleanout | 3 | 3 | | | 3 | | | 3 | | 3 | | | 3 | | 3 |
| 136 | R41811-001 | COVER-CLEANOUT | 2 | 2 | | | 2 | | | 2 | | 2 | | | 2 | | 2 |
| 136 | R46435-001 | GASKET-CLEANOUT COVER | | | 2 | | | | | | | 2 | | | | | 2 |
| 138 | 36K21 | R41821-001 PLATE-BURNER MTG | 1 | 1 | | | 1 | | | 1 | | 1 | | | 1 | | 1 |
| 981 | R41789-001H | PANEL-FRONT ACCESS | 1 | 1 | | | | | | | | | | | 1 | | 1 |
| 981 | R41789-002H | PANEL-FRONT ACCESS | | | 1 | | | | | | | | | | 1 | | 1 |
| 981 | R41929-005H | PANEL - DOOR (3) | | | | | 1 | | | 1 | | | | | | | 1 |

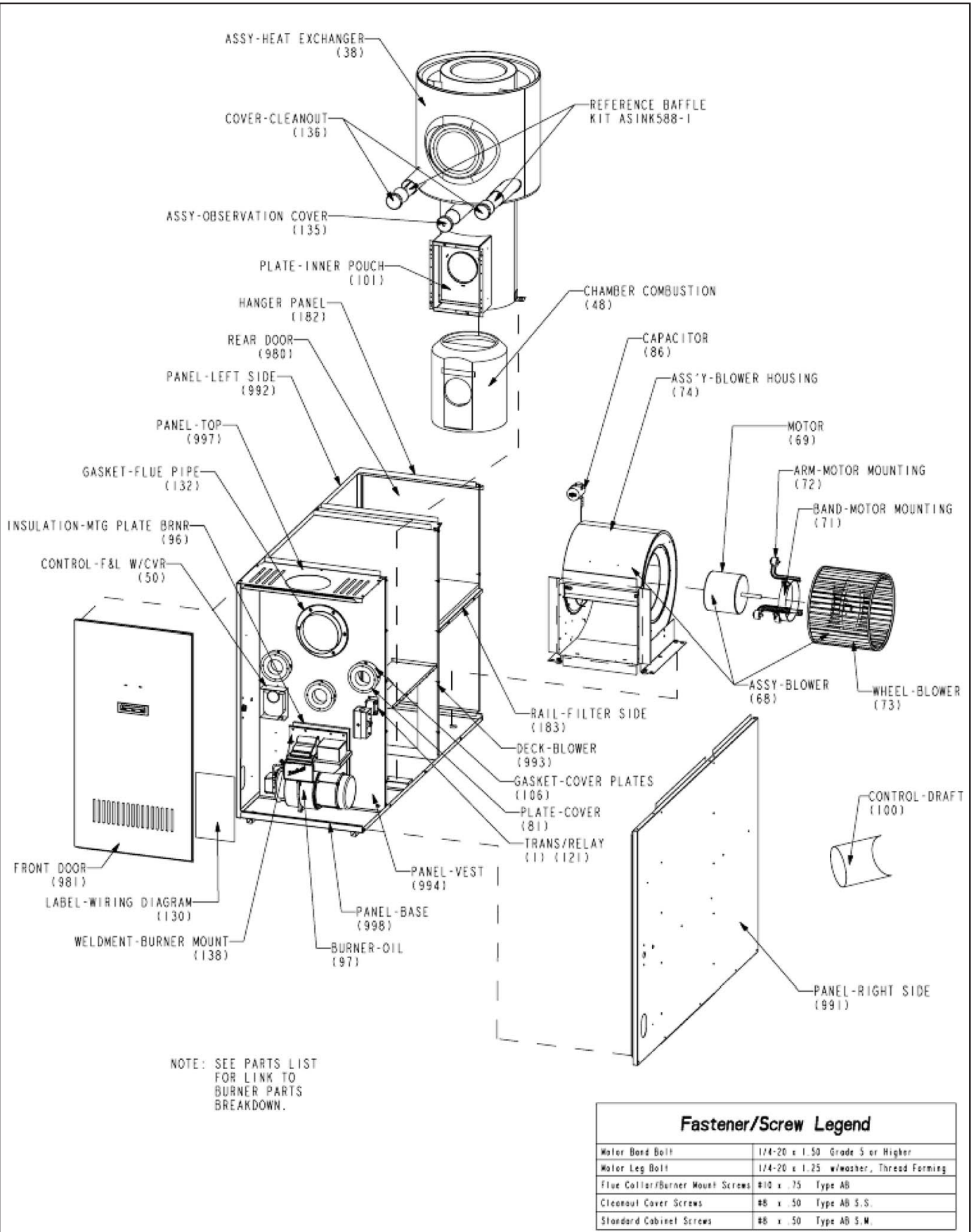
| Ref # | Part | Description | OUF | | | ODF | | ODRB | OLFB | | OLRB | |
|-------|-------------|-------------------------------|-------|-------|--------|-------|--------|------|-------|--------|-------|--------|
| | | | 75-D3 | 95-D4 | 125-D5 | 95-D3 | 125-D5 | | 95-D4 | 125-D5 | 95-D4 | 125-D5 |
| 987 | R42087-001H | PANEL-LOWER DOOR | 1 | 1 | | | | | | | | |
| 987 | R42087-002H | PANEL-LOWER DOOR | | 1 | | | | | | | | |
| 991 | 96W69 | R607787-01H PANEL-RIGHT SIDE | | 1 | | | | | | | | |
| 991 | R43083-001H | PANEL - RIGHT SIDE | 1 | 1 | | | | | | | | |
| 991 | R43084-001H | PANEL-RIGHT SIDE | | | | | | | 1 | | 1 | |
| 991 | R607786-01H | PANEL RIGHT SIDE | | | | | | | | 1 | | 1 |
| 992 | R43083-002H | PANEL-LEFT SIDE | 1 | 1 | | | | | | | | |
| 992 | R43084-002H | PANEL-LEFT SIDE | | | | | | | 1 | | 1 | |
| 992 | R607786-02H | PANEL LEFT SIDE | | | | | | | | 1 | | 1 |
| 992 | R607787-02H | PANEL LEFT SIDE | | | 1 | | | | | | | |
| 993 | R41797-001 | BLOWER DECK | 1 | | | | | | | | | |
| 993 | R41797-003 | BLOWER DECK | | 1 | | | | | | | | |
| 993 | R41797-004 | BLOWER DECK | | | 1 | | | | | | | |
| 993 | R41922-001 | PANEL-BLOWER DECK | | | | 1 | | | | | | |
| 993 | R41922-002 | PANEL-BLOWER DECK | | | | 1 | | | | | | |
| 994 | R41921-001H | PANEL-VEST | | | | 1 | | | | | | |
| 994 | R41921-003H | VEST PANEL | | | | | | | | 1 | | |
| 994 | R607784-01H | PANEL-VEST | | | | | | | | | | |
| 994 | R607785-01 | PANEL-VEST | | 1 | | | | | | 1 | | |
| 994 | R607785-02 | PANEL-VEST | | | | | | | | | | 1 |
| 994 | RS41796-001 | ASSY-VEST PANEL | 1 | 1 | | 1 | | | | 1 | | |
| 994 | RS41796-011 | PANEL-VEST | | | | | | | | | 1 | |
| 995 | 96W68 | R41823-006H PANEL-REAR ACCESS | | | | | | | | | | 1 |
| 995 | R41789-003H | PANEL-REAR DOOR | | | | | | | 1 | | | |
| 995 | R41789-004H | PANEL-REAR ACCESS | | | | | | | | 1 | | |
| 995 | R41795-001H | PANEL-REAR | 1 | 1 | | | | | | | | |
| 995 | R41795-002H | PANEL-REAR | | | 1 | | | | | | | |
| 995 | R41818-002H | PNL-HANG-REAR DOOR | | | | | | | | | 1 | |
| 995 | R41823-005H | PANEL-LOWER REAR | | | | | | | | | | 1 |
| 995 | R41824-005H | PANEL-UPPER-REAR | | | | | | | | | | 1 |
| 995 | R41824-006H | PANEL-UPPER-REAR | | | | | | | | | | 1 |
| 997 | R41794-001H | PANEL-TOP | 1 | 1 | | | | | | 1 | | |
| 997 | R41794-002H | PANEL-TOP | | | 1 | | | | | | 1 | |
| 997 | R41794-003H | PANEL-TOP | | | | | | | | | | 1 |
| 997 | R41794-004H | PANEL-TOP | | | | | | | | | | 1 |

| Ref # | Part | Description | OUF | | | ODF | | | ODRB | | | OLFB | | | OLRB | |
|-----------|-------------|--|-------|-------|--------|-------|--------|-------|-------|--------|-------|-------|--------|-------|--------|-------|
| | | | 75-D3 | 95-D4 | 125-D5 | 95-D3 | 125-D5 | 95-D3 | 95-D4 | 125-D5 | 95-D3 | 95-D4 | 125-D5 | 95-D4 | 125-D5 | 95-D4 |
| 997 | R607783-01H | PANEL TOP | | | | | 2 | | | | | | | | | |
| 998 | R41792-002 | PANEL-BASE | | 1 | | | | | | | | | | | | |
| 998 | R46075-002H | PANEL BASE | | | | | 1 | | | | | | | | | |
| 121/121A? | 21W89 | R44298-001 Transformer/Relay | 1 | 1 | | | | | | | | 1 | | | 1 | |
| 121/121A? | 40L87 | R07489B009 RELAY | 1 | 1 | | | 1 | | | | 1 | 1 | | | 1 | |
| 121/121A? | 10B96 | 101083-04 RELAY ON 1-30,OFF 90-200 SEQ | | | | | 1 | | | | | 1 | | | 1 | |
| 121/121A? | 22W04 | R07489B001 RELAY-BLOWER DPST | | | 1 | | 1 | | | | 1 | | | | 1 | |
| | 33H33 | R01240B008 PLATE-CUTOFF | | | | | 1 | | | | | | | | | |
| | 45M05 | R01240B024 PLATE-CUTOFF | | 1 | | | | | | | | | | | | |
| | 45M12 | R01240B023 PLATE-CUTOFF | | | | | | | | | | 1 | | | 1 | |
| | 66K04 | R01240B003 PLATE-CUTOFF | 1 | | | | | | | | | | | | | |
| | R00419B161 | TEXTURED GRAY SPRAY PAINT | | | 1 | | | | | | | 1 | | | 1 | |
| | R41787-003 | PANEL-BLOWER FRONT | | 1 | | | | | | | | | | | | |
| | R41913-013 | PANEL-BLOWER | | | | | | | | | | 1 | | | | |
| | R41913-014 | PANEL-BLOWER | | | | | | | | | | | | | 1 | |
| | R41913-015 | PANEL-BLOWER | | | | | | | | | | | | 1 | | |
| | R41913-016 | PANEL-BLOWER | | | | | | | | | | | | | | 1 |
| | R41918-006H | PANEL-BACK | | | | | 1 | | | | | | | | | |
| | R41918-007H | PANEL-BACK | | | | | | | | | 1 | | | | | |
| | R41918-008H | PANEL-BACK | | | | | | | | | | 1 | | | | |
| | R41919-001H | PANEL-TOP/BOTTOM | | | | | | 2 | | | | | | | | |
| | R41919-003H | PANEL-TOP BOTTOM | | | | | | | | | | | | 1 | | |
| | R41929-006H | PANEL-DOOR PRE-PAINT (4) | | | | | | | | | | | | 1 | | |
| | R41930-001 | RAIL-FILTER SIDE | | | | | | | | | | | | | 2 | 2 |
| | R46592-001 | TRANSFORMER | | | | | 1 | | | | | 1 | | 1 | | |

EXPLODED VIEW - OLRB SERIES



EXPLODED VIEW - OLFB SERIES



Due to ongoing product improvements, specifications and dimensions are subject to change and correction without notice or incurring obligations. Determining the application and suitability for use of any product is the responsibility of the installer. Additionally, the installer is responsible for verifying dimensional data on the actual product prior to beginning any installation preparations.

Incentive and rebate programs have precise requirements as to product performance and certification. All products meet applicable regulations in effect on date of manufacture; however, certifications are not necessarily granted for the life of a product. Therefore, it is the responsibility of the applicant to determine whether a specific model qualifies for these incentive/rebate programs.

HEAT CONTROLLER

1900 Wellworth Ave., Jackson MI 49203 • Ph. 517-787-2100 • www.heatcontroller.com

A  Company