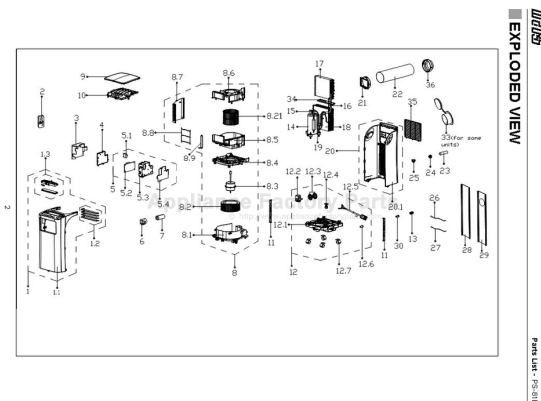


This Owner's Manual is provided and hosted by [Appliance Factory Parts](http://ApplianceFactoryParts.com).



COMFORT-AIRE PS-81B Owner's Manual

[Shop genuine replacement parts for COMFORT-AIRE
PS-81B](#)



[Find Your COMFORT-AIRE Air Conditioner Parts - Select From 599 Models](#)

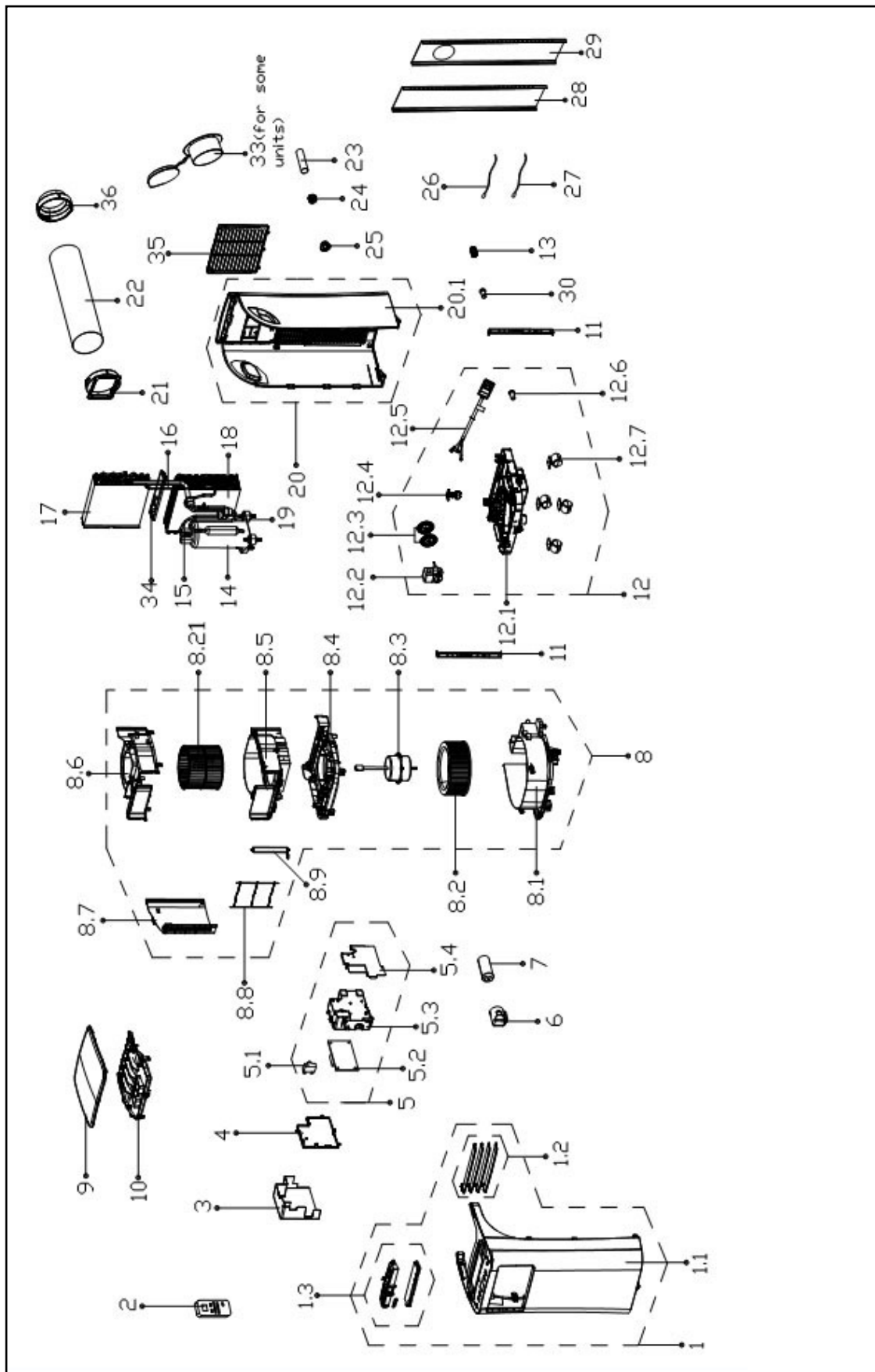
----- Manual continues below -----



PARTS LIST

Portable Air Conditioner: PS-81B

EXPLODED VIEW



REPLACEMENT PARTS

Location	Part Name	Quantity	Part No.
1	Front panel assembly	1	12120600A10236
1.1	Front panel subassembly	1	12120600001220
1.2	Connecting rod of louver assembly	1	12120600000150
1.3	Display board subassembly	1	17220600000226
2	Remote controller	1	17317000A42461
3	Fireproof metal for electronic control box cover	1	12220600000002
4	Cover of electronic control box	1	12120600000402
5	Electronic control box subassembly	1	17220600000148
5.1	Capacitor of fan motor	1	17400101000037
5.2	Main control board subassembly	1	17120600000090
5.3	Electronic control box	1	12120600000398
5.4	Fireproof board of electronic control box	1	12220600000003
6	Capacitor box	1	121206000001477
7	Capacitor of compressor	1	17400103000052
8	Air exhaust subassembly	1	12120600000817
8.1	Air exhaust volute shell subassembly	1	12120600003540
8.2	Centrifugal fan	1	12100103000025
8.21	Centrifugal fan	1	12100103000043
8.3	Single phase asynchronous motor	1	11002012004749
8.4	Cover subassembly of air exhaust volute shell	1	12120600003539
8.5	Air outlet volute shell	1	12120600000900
8.6	Air outlet volute shell	1	12120600000907
8.7	Sealing board	1	12120600000431
8.8	Air outlet grille	1	12220600000016
9	Upper panel	1	121206000001236
10	Sealing board	1	12120600000427
11	Supporting bar	2	12220600000079
12	Chassis assembly	1	12120600000329
12.1	Chassis subassembly	1	12120600000383
12.2	Shaded-pole motor	1	11002017000059
12.3	Water wheel	1	12120600000250
12.3	Water wheel	1	12120600000251
12.4	Water level switch	1	17400511000002
12.5	Power cord subassembly	1	17401202000109
12.6	Drain stopper	1	12600801000048
12.7	Universal wheel	4	12620600000019
13	Cover of drain connector (outdoor)	1	121206000001499
14	Fixed speed rotary compressor	1	11103010000748
15	Discharge pipe assembly	1	15120600000273
16	Capillary assembly	1	15120600000402
17	Evaporator assembly	1	15820600000057
18	Condenser assembly	1	15820600000274
19	Suction pipe assembly	1	15120600000335
20	Rear panel assembly	1	12120600000515
20.1	Rear panel	1	12120600000491
21	Connector, air exhaust duct	1	12120600003048
22	Exhaust hose subassembly	1	12120600003050
23	Drain pipe	1	12100509000040
24	Drain connection	1	121206000001492
25	Drain connection	1	12100510000017
26	Pipe temperature sensor	1	11201007001006
27	Room temperature sensor	1	11201007001000
28	Window sealing board	1	121206000003045
29	Window sealing board	1	121206000003041
30	Drain stopper	1	12600801000048
35	Indoor air inlet grille	1	12120600000634
36	Connector, air exhaust duct	1	12120600003044

Due to ongoing product improvements, specifications and dimensions are subject to change and correction without notice or incurring obligations. Determining the application and suitability for use of any product is the responsibility of the installer. Additionally, the installer is responsible for verifying dimensional data on the actual product prior to beginning any installation preparations.

Incentive and rebate programs have precise requirements as to product performance and certification. All products meet applicable regulations in effect on date of manufacture; however, certifications are not necessarily granted for the life of a product. Therefore, it is the responsibility of the applicant to determine whether a specific model qualifies for these incentive/rebate programs.

©2017 MOTORS & ARMATURES, Inc.
MARS is a registered trademark of Motors & Armatures, Inc.
Comfort-Aire is a registered trademark of Motors & Armatures, Inc.

1900 Wellworth Ave., Jackson MI 49203 • 517.787.2100 • www.marsdelivers.com

Comfort-Aire

MARS
Delivering Confidence