

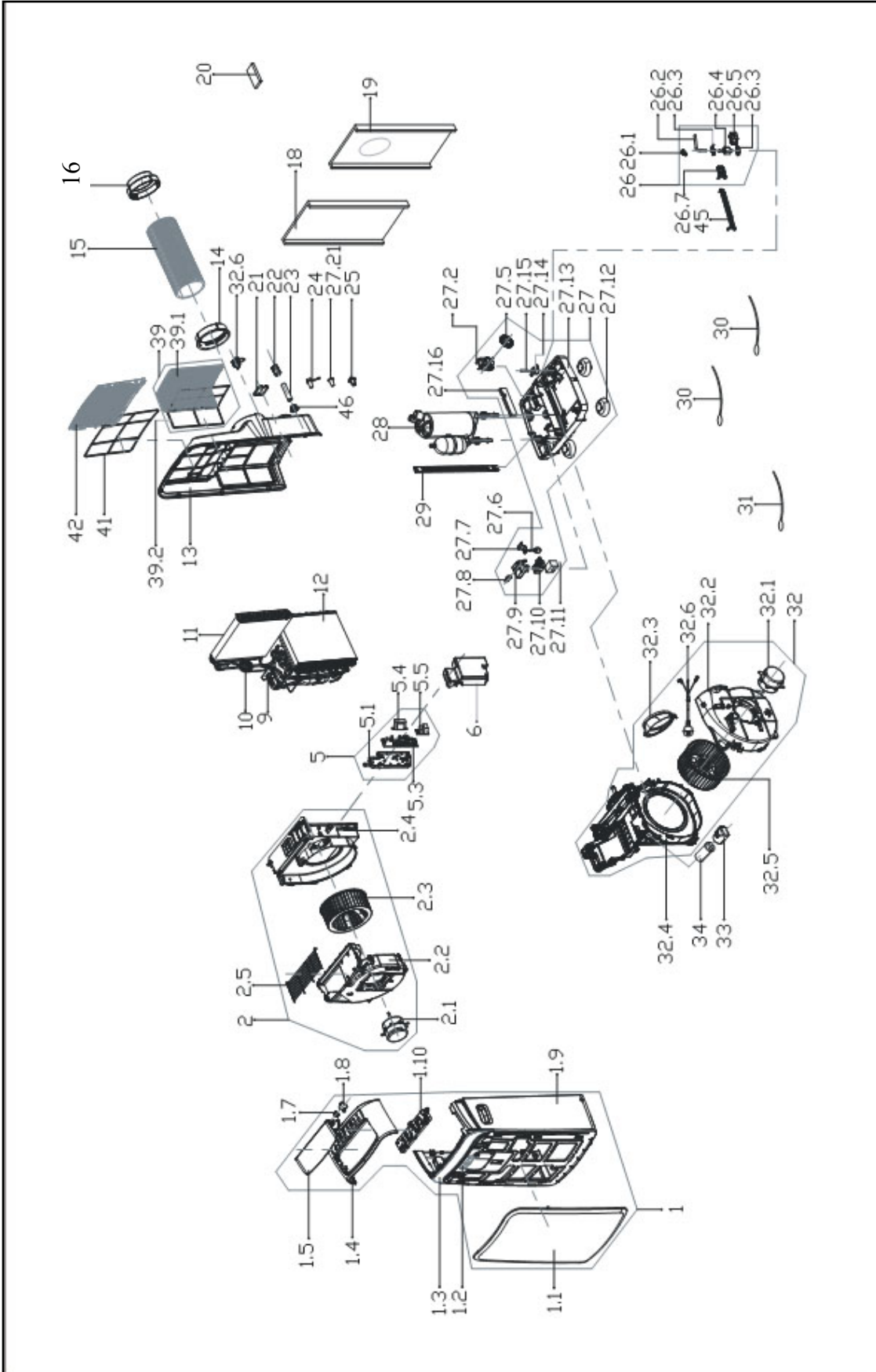


PARTS LIST

Portable Air Conditioner

PSH-141A

EXPLODED VIEW



REPLACEMENT PARTS

Location	Part Name	Qty	Part No.
1	Front panel assembly	1	12120600A11854
1.1	Front panel	1	12120600001078
1.2	Signal receiving board subassembly	1	17120600000020
1.3	Adorn board	1	12120600000759
1.4	Upper panel	1	12120600001249
1.5	Horizontal louver	1	12120600000009
1.7	Gear wheel	1	12120600000004
1.8	Stepper motor	1	11002010000176
1.9	Middle panel subassembly	1	12120600002939
1.10	Display board subassembly	1	17220600000045
2	Cover of air exhaust volute shell assembly	1	12120600002062
2.1	Single phase asynchronous motor	1	11002012010724
2.2	Air outlet volute shell	1	12120600000898
2.3	Centrifuge fan	1	12100103000099
2.4	Cover for air outlet volute shell	1	12120600000926
2.5	Outdoor air inlet grille	1	12220600000039
5	Electronic control box assembly	1	17220600000342
5.1	Electronic control box subassembly	1	12120600003259
5.3	Main control board subassembly	1	17120600000612
5.4	Linear transformer	1	11203103000067
5.5	Capacitor auxiliary board subassembly	1	17122000019901
6	Electronic control box cover subassembly	1	12120600003819
9	4-way valve assembly	1	15420600000015
10	Capillary assembly	1	15120600000460
11	Evaporator assembly	1	15820600000023
12	Condenser assembly	1	15820600000250
13	Rear panel assembly	1	12120600000540
14	Connector, air exhaust duct	1	12120600003049
15	Exhaust hose subassembly	1	12120600003050
17	Connector, air exhaust duct	1	12120600003044
18	Window sealing board	1	12120600003045
19	Window sealing board	1	12120600003041
20	Remote controller	1	17317000A39564
21	Power box cover	1	12120600000032
22	Drain connection	1	12120600001497
23	Drain pipe	1	12100509000040
24	Drainage plug	2	12620600000006
25	Drain connection	1	12100510000005
26	Motor subassembly	1	17400802000214
26.1	Drain connection	1	12100510000013
26.2	Rubber tube	1	12620600000011
26.3	Waterproof rubber ring	1	12600701000008
26.3	Waterproof rubber ring	1	12600701000010
26.4	Motor subassembly	1	17400802000014
26.5	Bracket	1	12220600000268
26.7	Bracket	1	12220600000267

Location	Part Name	Qty	Part No.
27	Chassis assembly	1	12120600002063
27.2	Shaded-pole motor	1	11002017000725
27.5	Water wheel	1	12120600000250
27.6	Water level switch	1	17400511000003
27.7	Bracket	1	12220600000265
27.8	Micro switch	1	17400512000001
27.9	Bracket of micro switch	1	12120600001417
27.10	Dobber case	1	12120600001259
27.11	Dobber	1	12820600000007
27.12	Universal wheel	4	12620600000019
27.13	Chassis subassembly	1	12120600001650
27.14	Water connection	1	12120600001257
27.15	Rubber tube	1	12620600000024
27.16	Waterproof foam	1	12820600000003
27.21	Drain stopper	1	12600801000048
28	Fixed speed rotary compressor	1	11103010000714
29	Supporting bar	1	12220600000082
30	Pipe temperature sensor	1	11201007000069
30	Pipe temperature sensor	1	11201007000196
31	Indoor temperature sensor assembly	1	11201007000073
32	Air exhaust volute shell subassembly	1	12120600A03774
32.1	Single phase asynchronous motor	1	11002012010725
32.2	Cover of air exhaust volute shell (outdoor)	1	12120600000888
32.3	Exhaust fixed joint component subassembly	1	12120600003639
32.4	Air exhaust volute shell subassembly	1	12120600000831
32.5	Centrifuge fan	1	12100103000027
32.6	Power cord subassembly	1	17401202000174
33	Capacitor box	1	12100601000106
34	Capacitor of compressor	1	17400103000063
39	Outside inlet air frame unit assembly	1	12120600003779
39.1	Outside inlet air frame unit	1	12120600000583
39.2	Down filter	1	12120600002160
41	Inside filter	1	12120600002161
42	Indoor air inlet grille	1	12120600000611
45	Supporting bar	1	12220600000074

Due to ongoing product improvements, specifications and dimensions are subject to change and correction without notice or incurring obligations. Determining the application and suitability for use of any product is the responsibility of the installer. Additionally, the installer is responsible for verifying dimensional data on the actual product prior to beginning any installation preparations.

Incentive and rebate programs have precise requirements as to product performance and certification. All products meet applicable regulations in effect on date of manufacture; however, certifications are not necessarily granted for the life of a product. Therefore, it is the responsibility of the applicant to determine whether a specific model qualifies for these incentive/rebate programs.

©2017 MOTORS & ARMATURES, Inc.
MARS is a registered trademark of Motors & Armatures, Inc.
Comfort-Aire is a registered trademark of Motors & Armatures, Inc.

1900 Wellworth Ave., Jackson MI 49203 • 517.787.2100 • www.marsdelivers.com

Comfort-Aire

MARS[®]
Delivering Confidence