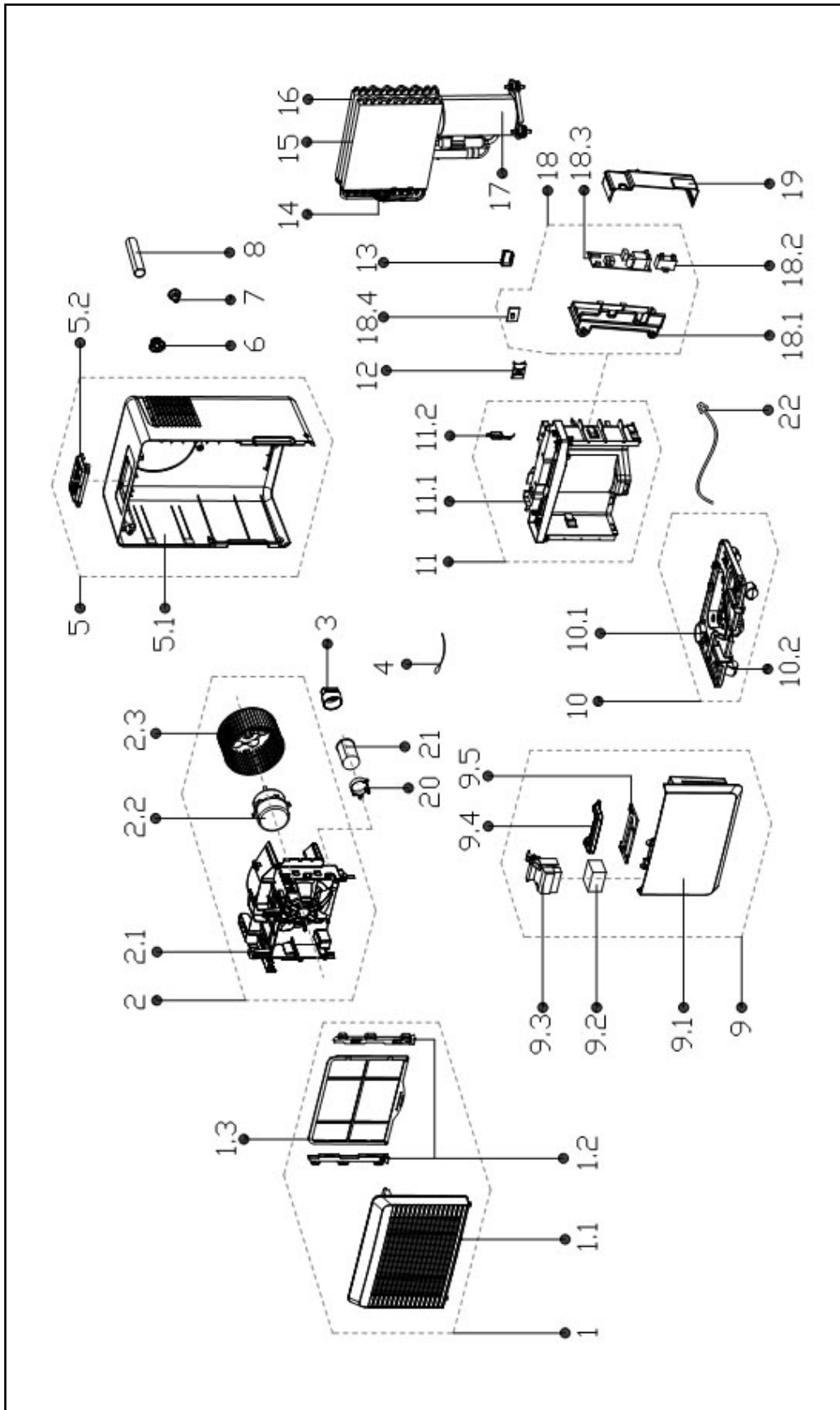


Portable Dehumidifier:

BHD-301H

EXPLODED VIEW



REPLACEMENT PARTS

Location	Part Name	Quantity	Part No.
1	Front panel assembly	1	2011265A0426
1.1	Front panel	1	2011265A0427
1.2	Filter guide	2	201126690108
1.3	Air filter	1	201126590468
2	Volute shell assembly	1	201126590459
2.1	Volute Shell	1	201126590460
2.2	Asynchronous motor	1	202400401268
2.3	Centrifugal fan	1	201100100039
3	Capacitor box	1	202726290008
4	Pipe temperature sensor assembly	1	202301310076
5	Rear panel assembly	1	201126590463
5.1	Rear panel	1	201126590464
5.2	Display box assembly	1	203326790041
6	Drain connector	1	201126590000
7	Plug	1	202726590142
8	Drain pipe	1	201126790266
9	Water tank assembly	1	2011265A0428
9.1	Water tank	1	2011265A0430
9.2	Dobber	1	202226790001
9.3	Dobber	1	201126790161
9.4	Handle of water tank	1	201126590162
9.5	Water tank cover	1	201126790267
10	Chassis assembly	1	201126590461
10.1	Chassis	1	201126590462
10.2	Universal wheel	4	202726790001
11	Partition board assembly	1	201126590457
11.1	Separating board	1	201126590458
11.2	Micro switch	1	202301800108
12	Cover of humidity sensor	1	201126290092
13	Installation box of humidity sensor	1	201126290091
14	Capillary assembly	1	201626790067
15	Condenser assembly	1	201526590037
16	Evaporator coil assembly	1	201526590059
17	Compressor	1	201402203210
18	Electronic control box assembly	1	203326790321
18.1	Electronic control box	1	201126690105
18.2	Capacitor of fan motor	1	202401100977
18.3	Main control board assembly	1	201326790049
18.4	Humidity sensor assembly	1	201326590058
19	Cover of electronic control box	1	201126690102
20	Capacitor clip	1	201200100035
21	Capacitor of compressor	1	202401000754
22	Power cord	1	202402260025

Due to ongoing product improvements, specifications and dimensions are subject to change and correction without notice or incurring obligations. Determining the application and suitability for use of any product is the responsibility of the installer. Additionally, the installer is responsible for verifying dimensional data on the actual product prior to beginning any installation preparations.

Incentive and rebate programs have precise requirements as to product performance and certification. All products meet applicable regulations in effect on date of manufacture; however, certifications are not necessarily granted for the life of a product. Therefore, it is the responsibility of the applicant to determine whether a specific model qualifies for these incentive/rebate programs.

Comfort-Aire[®]

1900 Wellworth Ave., Jackson MI 49203 • Ph. 517-787-2100 • www.comfort-aire.com



www.marsdelivers.com • www.heatcontroller.com