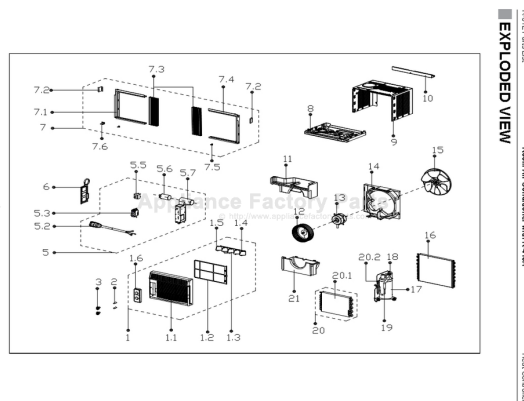


This Owner's Manual is provided and hosted by [Appliance Factory Parts](http://Appliance Factory Parts).



# COMFORT-AIRE R-51L Owner's Manual

[Shop genuine replacement parts for COMFORT-AIRE R-51L](#)



[Find Your COMFORT-AIRE Air Conditioner Parts - Select From 599 Models](#)

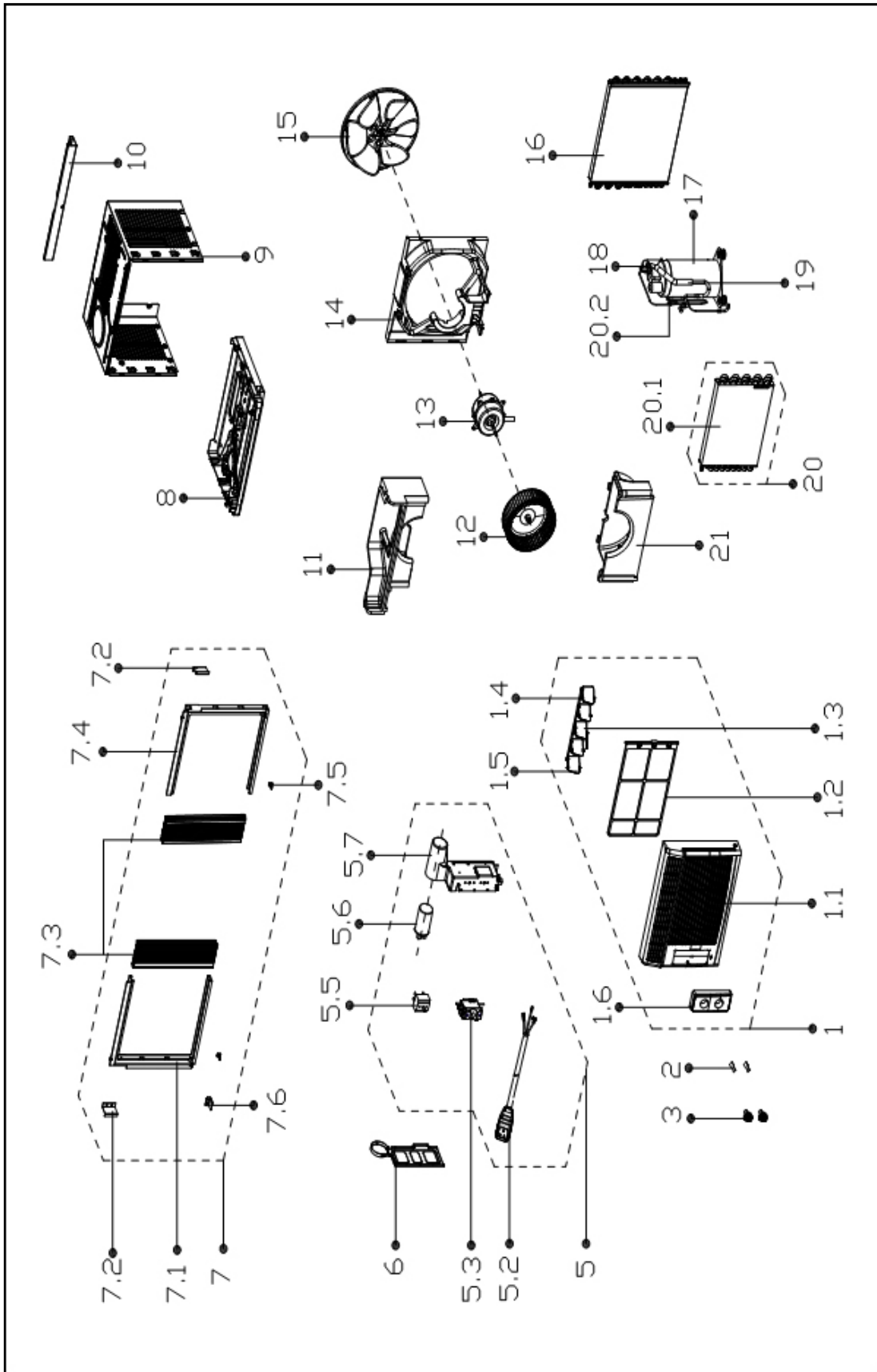
----- Manual continues below -----

HEAT CONTROLLER

**REPLACEMENT  
PARTS LIST**

**Room Air Conditioner with R-410A:  
R-51L**

# EXPLODED VIEW



## REPLACEMENT PARTS

Location	Part Name	Quantity	Part No.
1	Panel assembly	1	2011211A0609
1.1	Front panel	1	201121190068
1.2	Air filter	1	201121190007
1.3	Horizontal louver	1	201121190004
1.4	Connecting rod of louver	1	201121190006
1.5	Horizontal louver	4	201121190005
1.6	Control panel	1	201121190008
2	Spring for knob	2	202502300011
3	Knob	2	201121190001
5	Electronic control box assembly	1	2033211A0283
5.2	Power cord	1	202402290002
5.3	Temperature controller	1	202301610035
5.5	Master rotary switch	1	202301810044
5.6	Capacitor of compressor	1	202401400005
5.7	Electronic control box	1	201121190501
6	Cover of electronic control box	1	201121190108
7	Installation accessory	1	202821190008
7.1	Left shutter frame	1	201120190157
7.2	Bracket for shutter frame bar	2	201220190109
7.3	Shutter	2	201121190107
7.4	Right shutter frame	1	201120190155
7.5	clamp of Shutter	2	201220390002
7.6	Installation plate	1	201220190043
8	Chassis assembly	1	201121190104
9	Cabinet assembly	1	201221190020
10	Top shutter frame	1	201221190127
11	Volute shell (above)	1	202221190001
12	Centrifugal fan	1	201100100021
13	Asynchronous motor	1	202400400905
14	Rear separating	1	201121190499
15	Axial flow fan	1	201100300530
16	Condenser assembly	1	201521190384
17	Compressor	1	201402000520
18	Discharge pipe assembly	1	201621190218
19	Suction pipe assembly	1	201621190452
20	Evaporator coil assembly	1	201521190445
20.1	Evaporator coil assembly	1	201521190071
20.2	Capillary assembly	1	201621190555
21	Volute shell (below)	1	202221190002
	Display label	1	2020211A2614
	Carton	1	P73001225414

Due to ongoing product improvements, specifications and dimensions are subject to change and correction without notice or incurring obligations. Determining the application and suitability for use of any product is the responsibility of the installer. Additionally, the installer is responsible for verifying dimensional data on the actual product prior to beginning any installation preparations.

Incentive and rebate programs have precise requirements as to product performance and certification. All products meet applicable regulations in effect on date of manufacture; however, certifications are not necessarily granted for the life of a product. Therefore, it is the responsibility of the applicant to determine whether a specific model qualifies for these incentive/rebate programs.

# HEAT CONTROLLER

1900 Wellworth Ave., Jackson MI 49203 • Ph. 517-787-2100 • [www.heatcontroller.com](http://www.heatcontroller.com)

A  Company