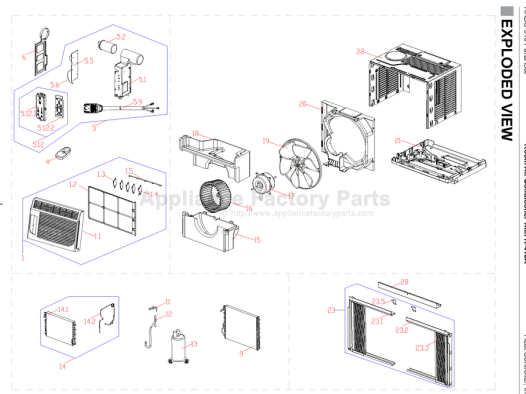


This Owner's Manual is provided and hosted by Appliance Factory Parts.



COMFORT-AIRE RADS-51J Owner's Manual

[Shop genuine replacement parts for COMFORT-AIRE RADS-51J](#)



[Find Your COMFORT-AIRE Air Conditioner Parts - Select From 599 Models](#)

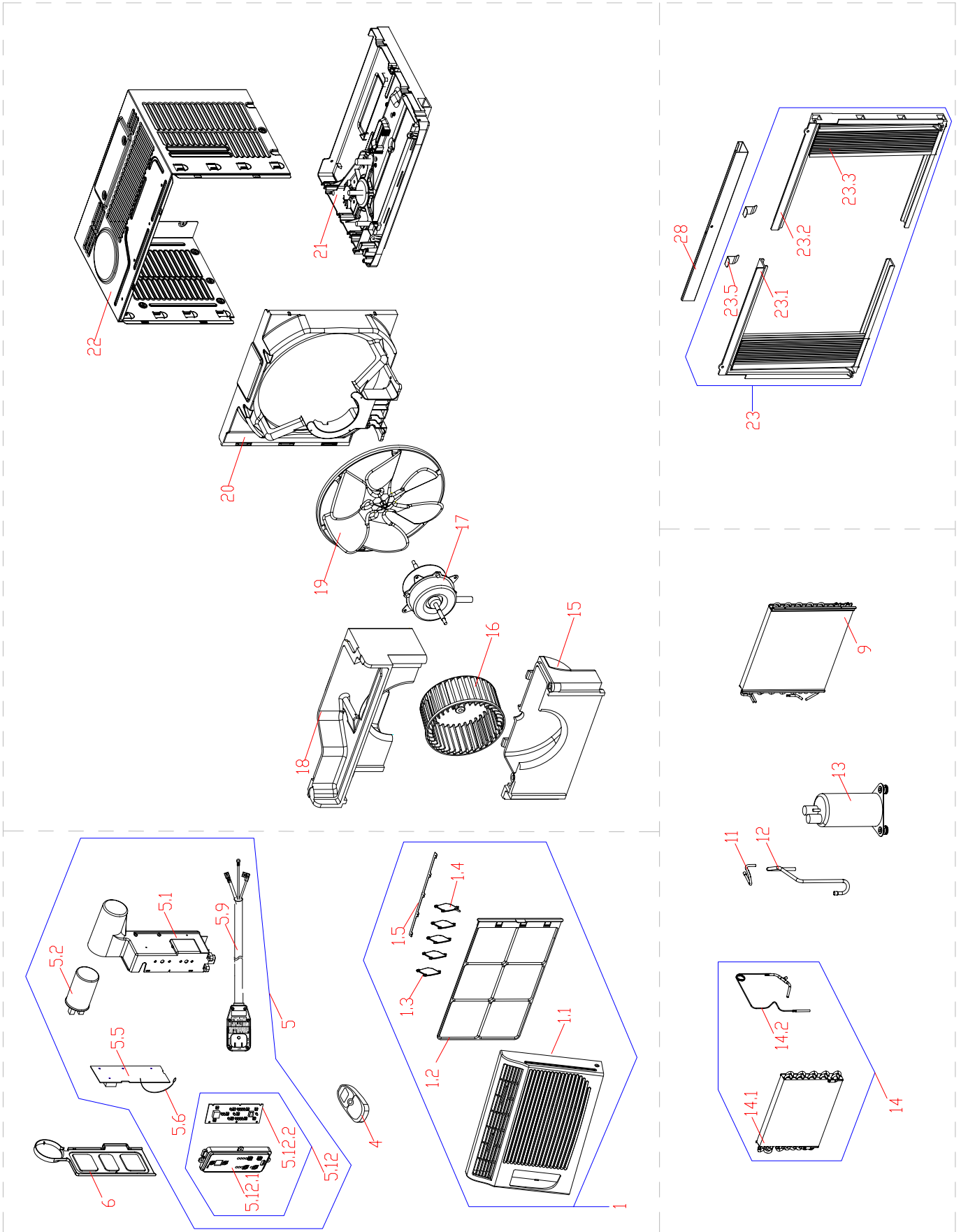
----- Manual continues below -----

HEAT CONTROLLER, INC.

REPLACEMENT PARTS LIST

**Room Air Conditioner with R-410A:
RADS-51J**

EXPLODED VIEW



REPLACEMENT PARTS

Location	Part Name	Quantity	Part No.
1	Panel assembly	1	2011211A0304
1.1	Front panel	1	201121190068
1.2	Air filter	1	201121190007
1.3	Horizontal louver	4	201121190005
1.4	Horizontal louver	1	201121190004
1.5	Connecting rod of louver	1	201121190006
4	Remote controller	1	2033550A3128
5	Electronic control box assembly	1	2033211A0119
5.1	Electronic control box	1	201121190248
5.2	Capacitor of compressor	1	202401400005
5.5	Main control board assembly	1	201321190050
5.6	Indoor temperature sensor assembly	1	202432390005
5.9	Power cord	1	202402290007
5.12	Display box assembly	1	2033211A0121
5.12.1	Control panel	1	2011217A0553
5.12.2	Display board assembly	1	2013211A0020
5.12.3	Display Panel artwork	1	2020217A2004
6	Cover of electronic control box	1	201121190249
9	Condenser assembly	1	201521190347
9.1	Condenser	1	201521190348
11	Discharge pipe assembly	1	201621190249
12	Suction pipe assembly	1	201621190338
13	Compressor	1	201402000530
14	Evaporator coil assembly	1	201521190082
14.1	Evaporator coil assembly	1	201521190083
14.2	Capillary assembly	1	201621190256
15	Volute shell (below)	1	202221190003
16	Centrifugal fan	1	201100100211
17	Asynchronous motor	1	202400400964
18	Volute shell (above)	1	202221190004
19	Axial flow fan	1	201100300019
20	Rear separating	1	201121190247
21	Chassis assembly	1	201121190265
22	Cabinet assembly	1	201221190101
23	Installation accessory	1	202821190008
23.1	Left shutter frame	1	201120190157
23.2	Right shutter frame	1	201120190155
23.3	Shutter	2	201121190107
23.5	Bracket for shutter frame bar	2	201220190109
28	Top shutter frame	1	201221190127

Design, material, performance data and components
subject to change without notice.

HEAT CONTROLLER, INC.

1900 Wellworth Ave., Jackson, MI 49203 • Ph. 517-787-2100 • Fax 517-787-9341

THE QUALITY LEADER IN CONDITIONING AIR

www.heatcontroller.com