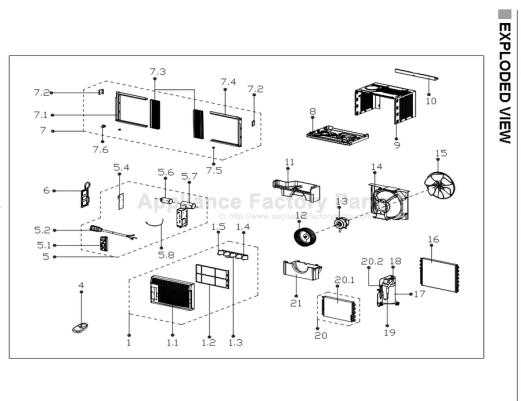


This Owner's Manual is provided and hosted by [Appliance Factory Parts](http://Appliance Factory Parts).



# COMFORT-AIRE RADS-51L Owner's Manual

[Shop genuine replacement parts for COMFORT-AIRE RADS-51L](#)



[Find Your COMFORT-AIRE Air Conditioner Parts - Select From 599 Models](#)

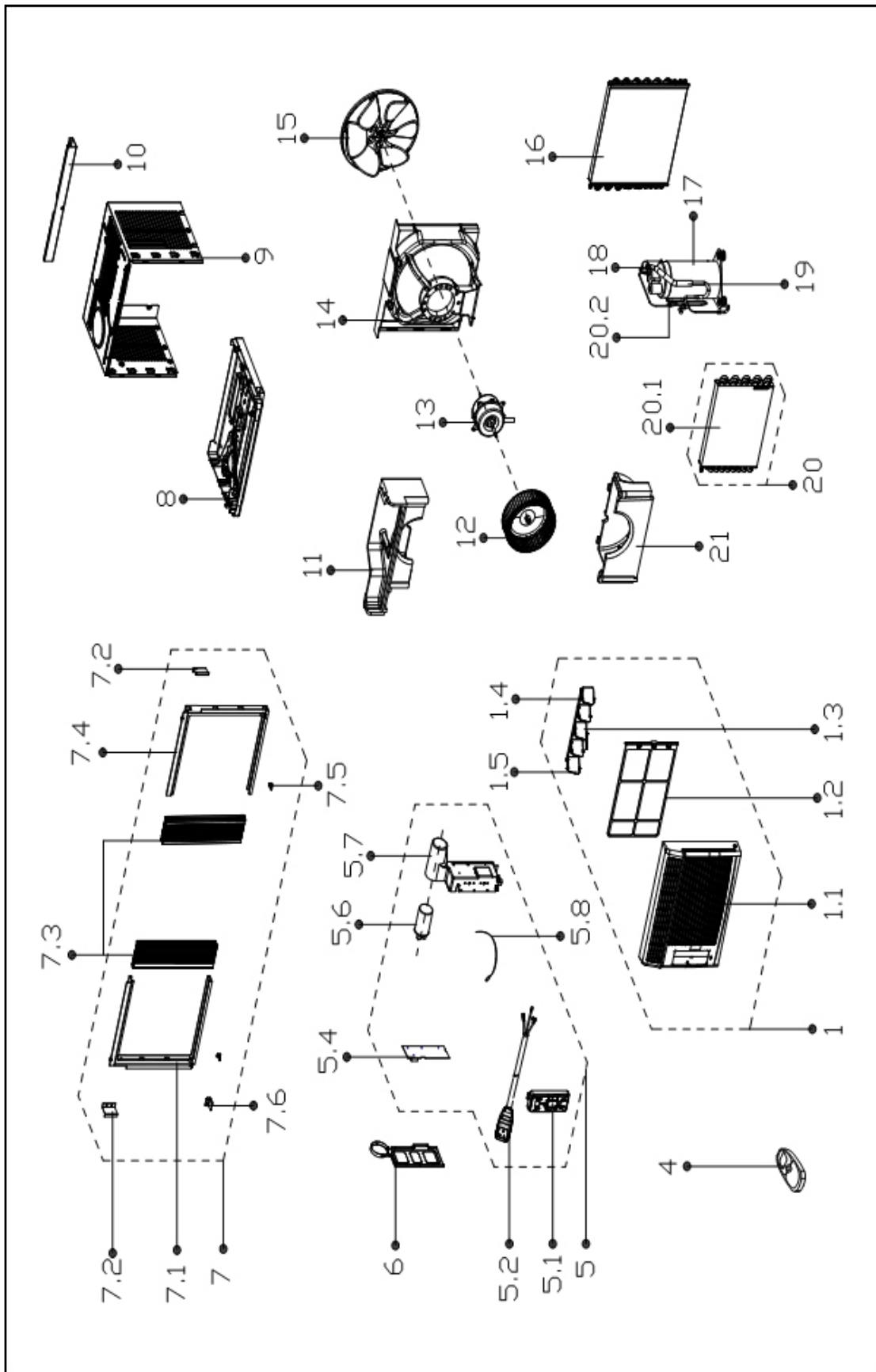
----- Manual continues below -----

HEAT CONTROLLER

**REPLACEMENT  
PARTS LIST**

**Room Air Conditioner with R-410A:  
RADS-51L**

# EXPLODED VIEW



## REPLACEMENT PARTS

Location	Part Name	Quantity	Part No.
1	Panel assembly	1	201121190009
1.1	Front panel	1	201121190068
1.2	Air filter	1	201121190007
1.3	Horizontal louver	1	201121190004
1.4	Connecting rod of louver	1	201121190006
1.5	Horizontal louver	4	201121190005
4	Remote controller	1	203355091112
5	Electronic control box assembly	1	203321190254
5.1	Display box assembly	1	203321190165
5.2	Power cord	1	202402290007
5.4	Main control board assembly	1	201321590080
5.6	Capacitor of compressor	1	202401400005
5.7	Electronic control box	1	201121190506
5.8	Ambient temperature sensor assembly	1	202433190000
6	Cover of electronic control box	1	201121190249
7	Installation accessory	1	202821190008
7.1	Left shutter frame	1	201120190157
7.2	Bracket for shutter frame bar	2	201220190109
7.3	Shutter	2	201121190107
7.4	Right shutter frame	1	201120190155
7.5	clamp of Shutter	2	201220390002
7.6	Installation plate	1	201220190043
8	Chassis assembly	1	201121190265
9	Cabinet assembly	1	201221190101
10	Top shutter frame	1	201221190127
11	Volute shell (above)	1	202221190028
12	Centrifugal fan	1	201100100060
13	Asynchronous motor	1	202400400964
14	Rear separating	1	201121190500
15	Axial flow fan	1	201100300019
16	Condenser assembly	1	201521190442
17	Compressor	1	201402000890
18	Discharge pipe assembly	1	201621190249
19	Suction pipe assembly	1	201621190338
20	Evaporator coil assembly	1	201521190444
20.1	Evaporator coil assembly	1	201521190083
20.2	Capillary assembly	1	201621190615
21	Volute shell (below)	1	202221190003
	Display label	1	2020217A2004
	Carton	1	2026211A0555

Due to ongoing product improvements, specifications and dimensions are subject to change and correction without notice or incurring obligations. Determining the application and suitability for use of any product is the responsibility of the installer. Additionally, the installer is responsible for verifying dimensional data on the actual product prior to beginning any installation preparations.

Incentive and rebate programs have precise requirements as to product performance and certification. All products meet applicable regulations in effect on date of manufacture; however, certifications are not necessarily granted for the life of a product. Therefore, it is the responsibility of the applicant to determine whether a specific model qualifies for these incentive/rebate programs.

# HEAT CONTROLLER

1900 Wellworth Ave., Jackson MI 49203 • Ph. 517-787-2100 • [www.heatcontroller.com](http://www.heatcontroller.com)

A  Company