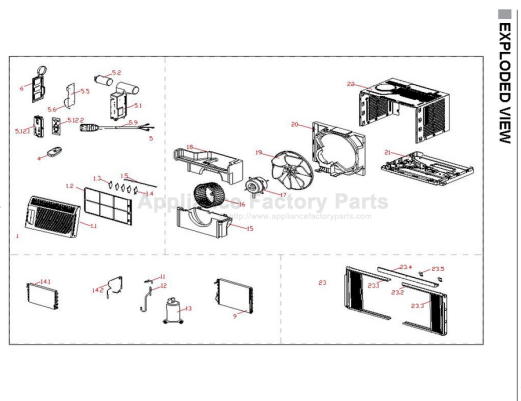


This Owner's Manual is provided and hosted by [Appliance Factory Parts](http://Appliance Factory Parts).



# COMFORT-AIRE RADS-61J Owner's Manual

[Shop genuine replacement parts for COMFORT-AIRE RADS-61J](#)



[Find Your COMFORT-AIRE Air Conditioner Parts - Select From 599 Models](#)

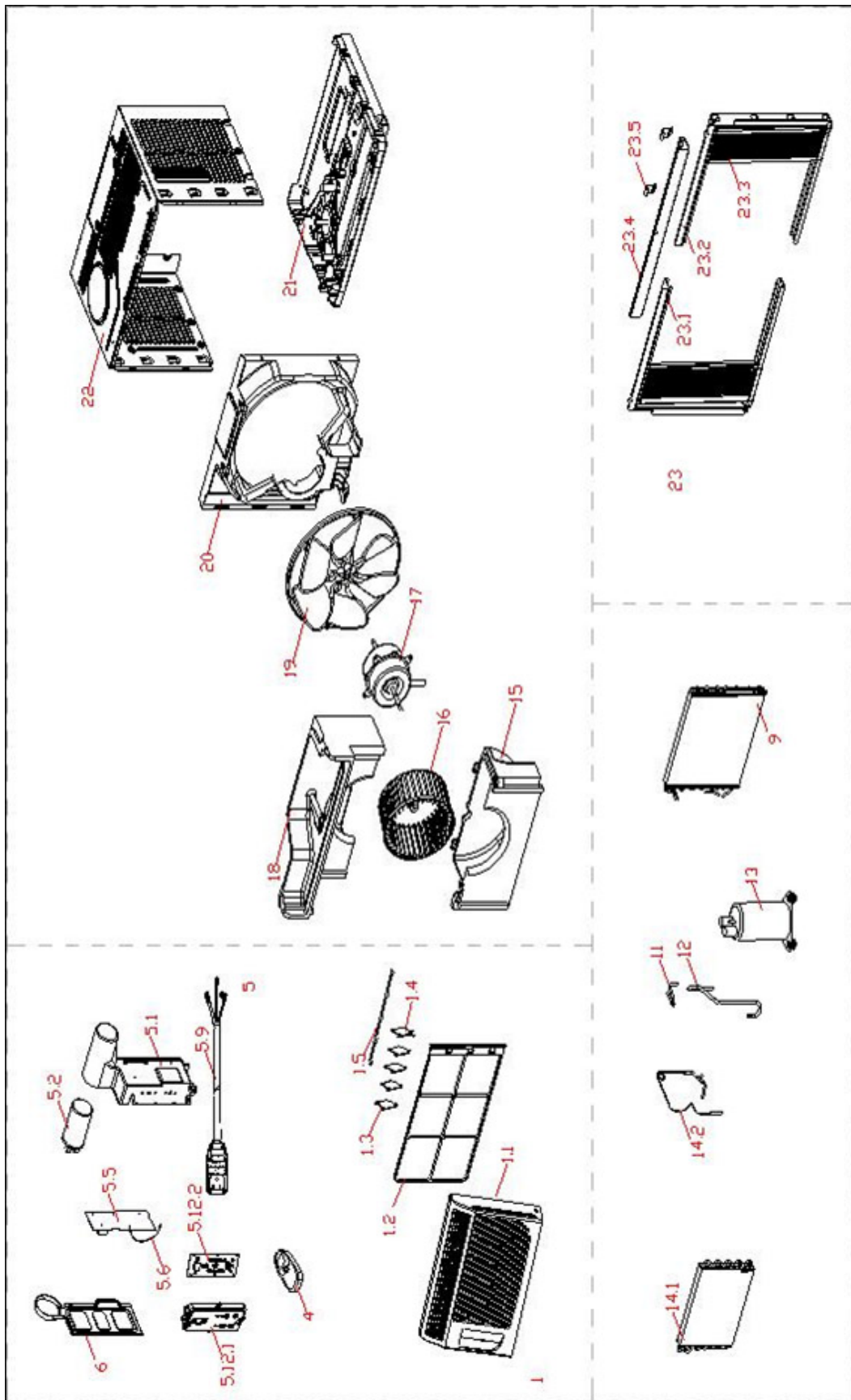
----- Manual continues below -----

HEAT CONTROLLER, INC.

# **REPLACEMENT PARTS LIST**

**Room Air Conditioner with R-410A:  
RADS-61J**

# EXPLODED VIEW



## REPLACEMENT PARTS

Location	Part Name	Quantity	Part No.
1	Panel assembly	1	2011211A0304
1.1	Front panel	1	2011211A0282
1.2	Air filter	1	201121190007
1.3	Horizontal louver	4	2011211A0295
1.4	Horizontal louver	1	2011211A0294
1.5	Connecting rod of louver	1	201121190006
4	Remote controller	1	2033550A3128
5	Electronic control box assembly	1	2033211A0069
5.1	Electronic control box	1	201121190248
5.2	Capacitor of compressor	1	202401400038
5.5	Main control board assembly	1	201321190050
5.6	Indoor temperature sensor assembly	1	202432390005
5.9	Power cord	1	202402290007
5.12	Display box assembly	1	2033211A0065
5.12.1	Control panel	1	2011217A0553
5.12.2	Display board assembly	1	2013211A0020
5.12.3	Display Panel artwork	1	2020217A2004
6	Cover of electronic control box	1	201121190249
9	Condenser assembly	1	201521190347
11	Discharge pipe assembly	1	201621190328
12	Suction pipe assembly	1	201621190331
13	Compressor	1	201402200370
14	Evaporator coil assembly	1	201521190076
14.1	Evaporator coil assembly	1	201521190077
14.2	Capillary assembly	1	201621190233
15	Volute shell (below)	1	202221190003
16	Centrifugal fan	1	201100100211
17	Asynchronous motor	1	202400400964
18	Volute shell (above)	1	202221190004
19	Axial flow fan	1	201100300019
20	Rear separating	1	201121190247
21	Chassis assembly	1	201121190265
22	Cabinet assembly	1	201221190101
23	Installation accessory	1	202821190008
23.1	Left shutter frame	1	201120190157
23.2	Right shutter frame	1	201120190155
23.3	Shutter	2	201121190107
23.4	Top shutter frame	1	201220190111
23.5	Bracket for shutter frame bar	2	201220190109

Design, material, performance data and components  
subject to change without notice.

## HEAT CONTROLLER, INC.

1900 Wellworth Ave., Jackson, MI 49203 • Ph. 517-787-2100 • Fax 517-787-9341

THE QUALITY LEADER IN CONDITIONING AIR

[www.heatcontroller.com](http://www.heatcontroller.com)