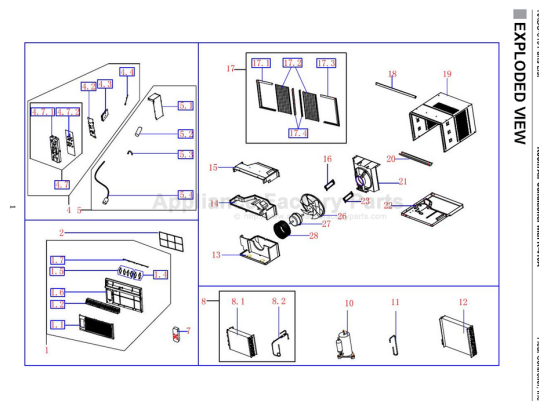


This Owner's Manual is provided and hosted by [Appliance Factory Parts](#).



COMFORT-AIRE RADS-81J Owner's Manual

[Shop genuine replacement parts for COMFORT-AIRE RADS-81J](#)



[Find Your COMFORT-AIRE Air Conditioner Parts - Select From 599 Models](#)

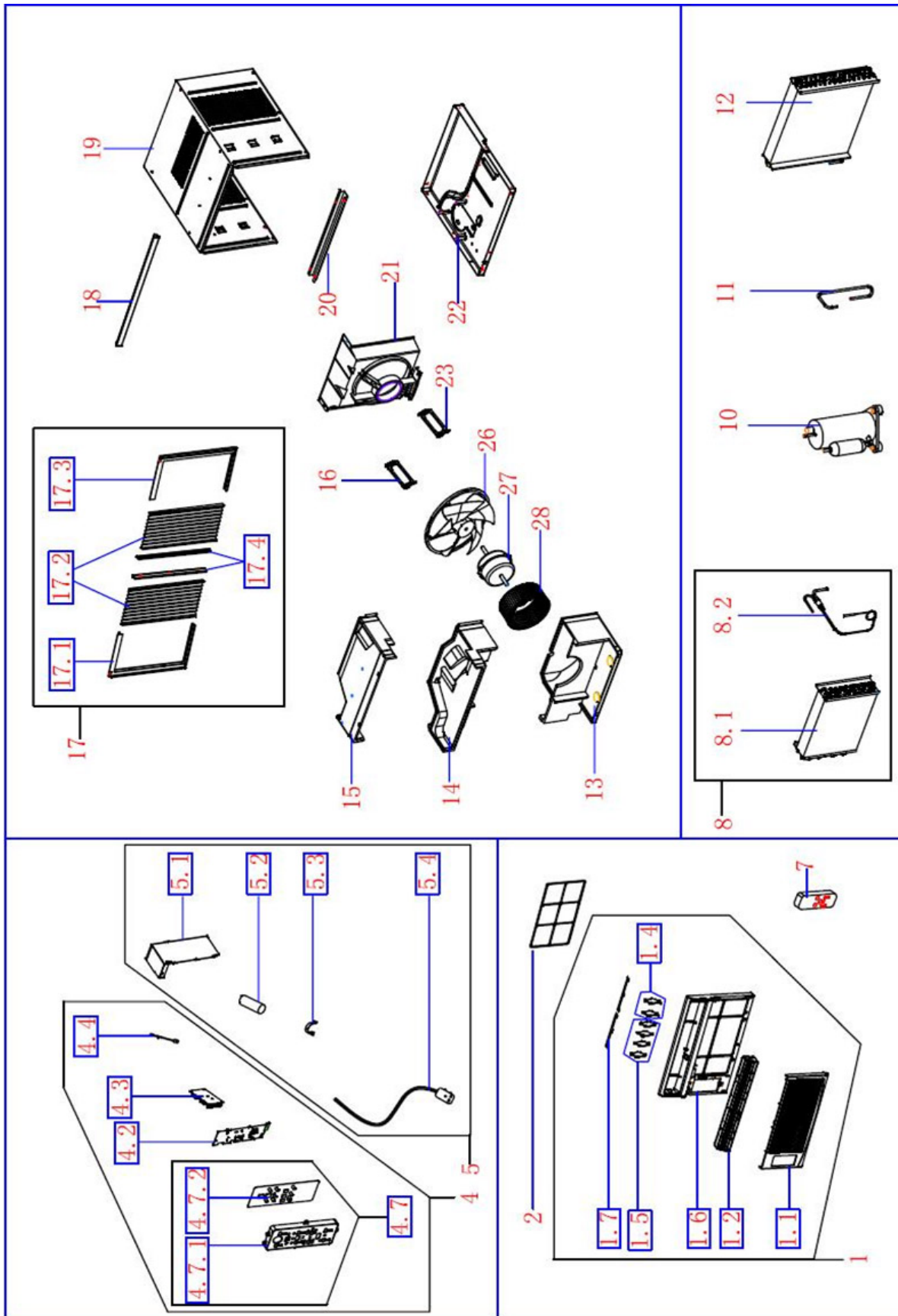
----- Manual continues below -----

HEAT CONTROLLER, INC.

REPLACEMENT PARTS LIST

**Room Air Conditioner with R-410A:
RADS-81J**

EXPLODED VIEW



REPLACEMENT PARTS

Location	Part Name	Quantity	Part No.
1	Panel assembly	1	2011213A0066
1.1	Front panel	1	2011213A0062
1.2	Horizontal louver	1	2011213A0064
1.4	Horizontal louver	2	201121190017
1.5	Horizontal louver	4	201121190016
1.6	Panel frame	1	2011213A0063
1.7	Connecting rod of louver	2	2011213A0069
2	Air filter	1	201121190029
4	Electronic control box assembly	1	2033213A0094
4.2	Cover of electronic control box	1	201220290016
4.3	Main control board assembly	1	201321590034
4.4	Ambient temperature sensor assembly	1	202433190000
4.7	Display box assembly	1	2033211A0065
4.7.1	Control panel	1	2011217A0553
5	Electronic control box assembly	1	203321390127
5.1	Cover of electronic control box	1	201221190070
5.2	Capacitor of compressor	1	202401400004
5.3	Capacitor clip	1	201200100002
5.4	Power cord	1	202402200111
7	Remote controller	1	2033550A3128
8	Evaporator coil assembly	1	201521390059
8.1	Evaporator	1	201521390082
8.2	Capillary assembly	1	201621390296
10	compressor	1	201402203090
11	Discharge pipe assembly	1	201621390425
12	Condenser assembly	1	201521390083
13	Volute shell (below)	1	202221390007
14	Mid volute shell	1	202221390008
15	Volute shell (above)	1	202220390007
16	Left linker of fan motor	1	201221390037
17	Installation accessory	1	202821390006
17.1	Left shutter frame	1	201120290005
17.2	Shutter	2	201120290003
17.3	Right shutter frame	1	201120290004
17.4	Locking bar of shutter	2	201120290002
18	Top shutter frame	1	201221390094
19	Cabinet	1	201221390093
20	Bottom shutter frame	1	201221390113
21	Rear separating	1	201121390107
22	Chassis assembly	1	201221390114
23	Right linker of fan motor	1	201221390038
26	Axial flow fan	1	201100300047
27	Asynchronous motor	1	202400401283
28	Centrifugal fan	1	201100100062

Design, material, performance data and components
subject to change without notice.

HEAT CONTROLLER, INC.

1900 Wellworth Ave., Jackson, MI 49203 • Ph. 517-787-2100 • Fax 517-787-9341

THE QUALITY LEADER IN CONDITIONING AIR

www.heatcontroller.com