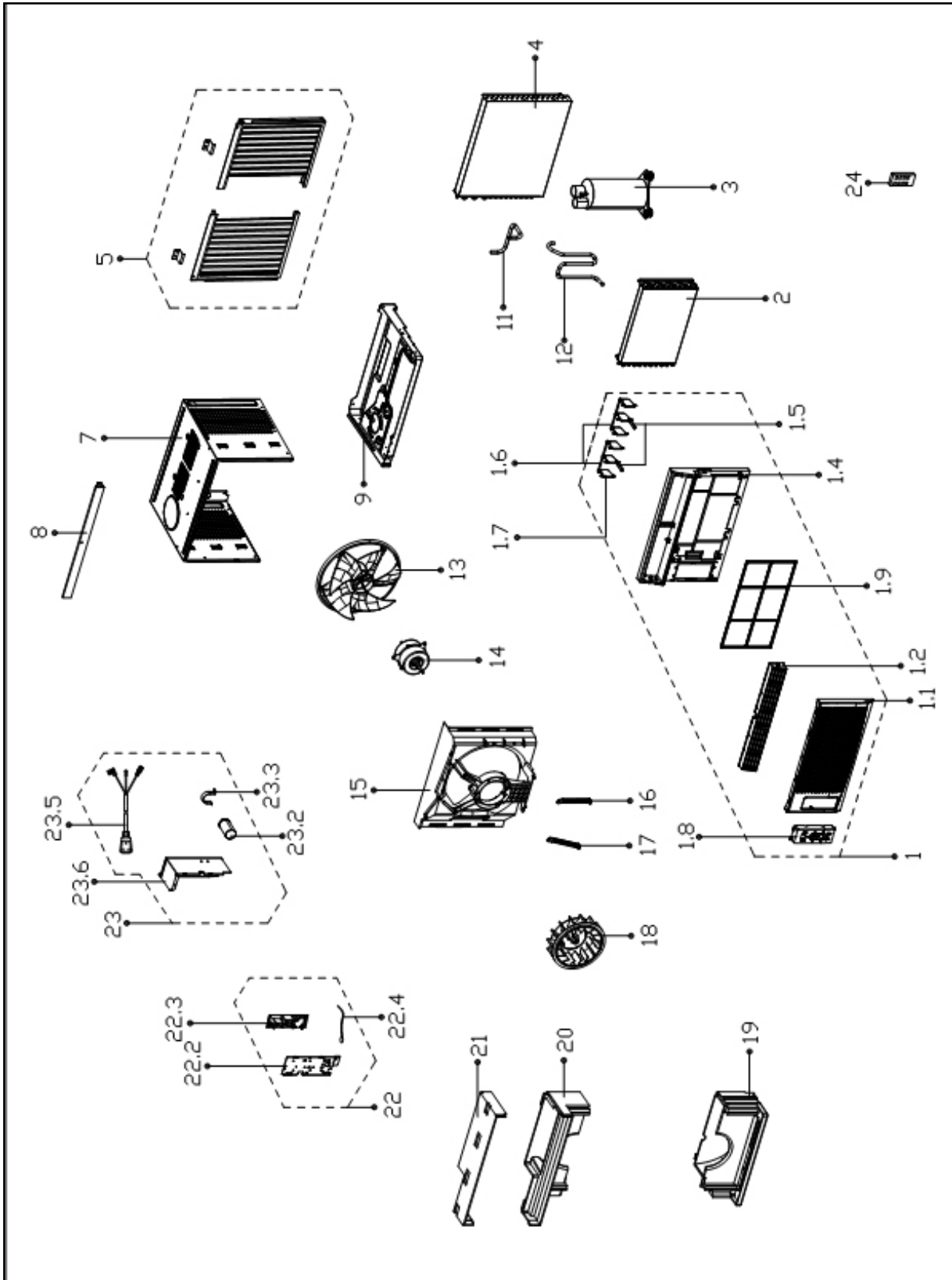


HEAT CONTROLLER

**REPLACEMENT
PARTS LIST**

**Room Air Conditioner with R-410A:
RADS-81M**

EXPLODED VIEW



REPLACEMENT PARTS

Location	Part Name	Quantity	Part No.
1	Front panel assembly	1.0	12120300A01736
1.1	Panel	1.0	12120300A00708
1.2	Air Out Frame	1.0	12120300A00611
1.4	Panel frame	1.0	12120300A00771
1.5	Louver	2.0	12120300000695
1.6	Louver Holder	2.0	12120300000982
1.7	Louver	4.0	12120300000737
1.8	Structure Subassembly of Display Box	1.0	17220300A00389
1.9	Filter	1.0	12100204A00158
2	Evaporator assembly Gas valve assembly	1.0	15820300000144
3	Fixed speed rotary compressor	1.0	11103010000932
4	Condenser Assembly	1.0	15820300000656
5	Installing Accessories	1.0	12020300000020
7	Outer Shell Assembly	1.0	12220300000786
8	Upper Shutter Frame Subassembly	1.0	12220300000913
9	Chassis Assembly	1.0	12220300000417
11	Parts of compressor return pipe	1.0	15120300001404
12	Parts of compressor exhaust pipe	1.0	15120300001041
13	Axial fan	1.0	12100105000087
14	Single-phase Asynchronous Motor	1.0	11002012005130
15	Rear barrier Subassembly	1.0	12120300000563
16	Motor Mount	1.0	12220300000454
17	Motor Mount	1.0	12220300000455
18	Centrifugal Fan	1.0	12100103000086
19	Lower Air Duct Foam	1.0	12820300000116
20	Foam of middle air channel	1.0	12820300000126
21	Upper Air Duct Foam	1.0	12820300000107
22	E-Parts Box Subassembly of Upper Air-out Window Series	1.0	17220300000518
22.2	Electrical Control Box Cover	1.0	12220300000492
22.3	Main Control Board Subassembly(Sticker)	1.0	17120300000570
22.4	Room Temperature Sensor	1.0	11201007000088
23	E-Parts Box Assembly of Upper Air-out Window Series	1.0	17220300000356
23.2	Combined Capacitor	1.0	17400104000009
23.3	Capacitor Clamp	1.0	12200203000011
23.5	Power Supply Cable Subassembly	1.0	17401202000156
23.6	E-Parts Box Subassembly	1.0	12220300000481
24	Remote controller	1.0	17317000A04381
	Display label	1	16020300A00144

Due to ongoing product improvements, specifications and dimensions are subject to change and correction without notice or incurring obligations. Determining the application and suitability for use of any product is the responsibility of the installer. Additionally, the installer is responsible for verifying dimensional data on the actual product prior to beginning any installation preparations.

Incentive and rebate programs have precise requirements as to product performance and certification. All products meet applicable regulations in effect on date of manufacture; however, certifications are not necessarily granted for the life of a product. Therefore, it is the responsibility of the applicant to determine whether a specific model qualifies for these incentive/rebate programs.

HEAT CONTROLLER

1900 Wellworth Ave., Jackson MI 49203 • Ph. 517-787-2100 • www.heatcontroller.com

A  Company