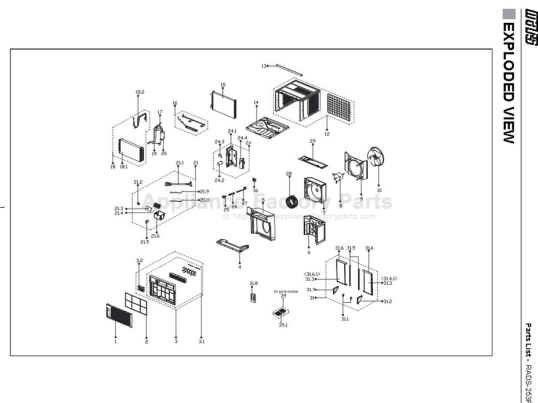


This Owner's Manual is provided and hosted by Appliance Factory Parts.



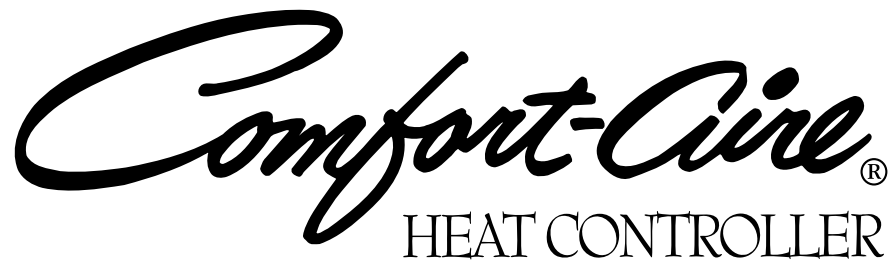
COMFORT-AIRE RADS-253P Owner's Manual

[Shop genuine replacement parts for COMFORT-AIRE
RADS-253P](#)



[Find Your COMFORT-AIRE Air Conditioner Parts - Select From 599 Models](#)

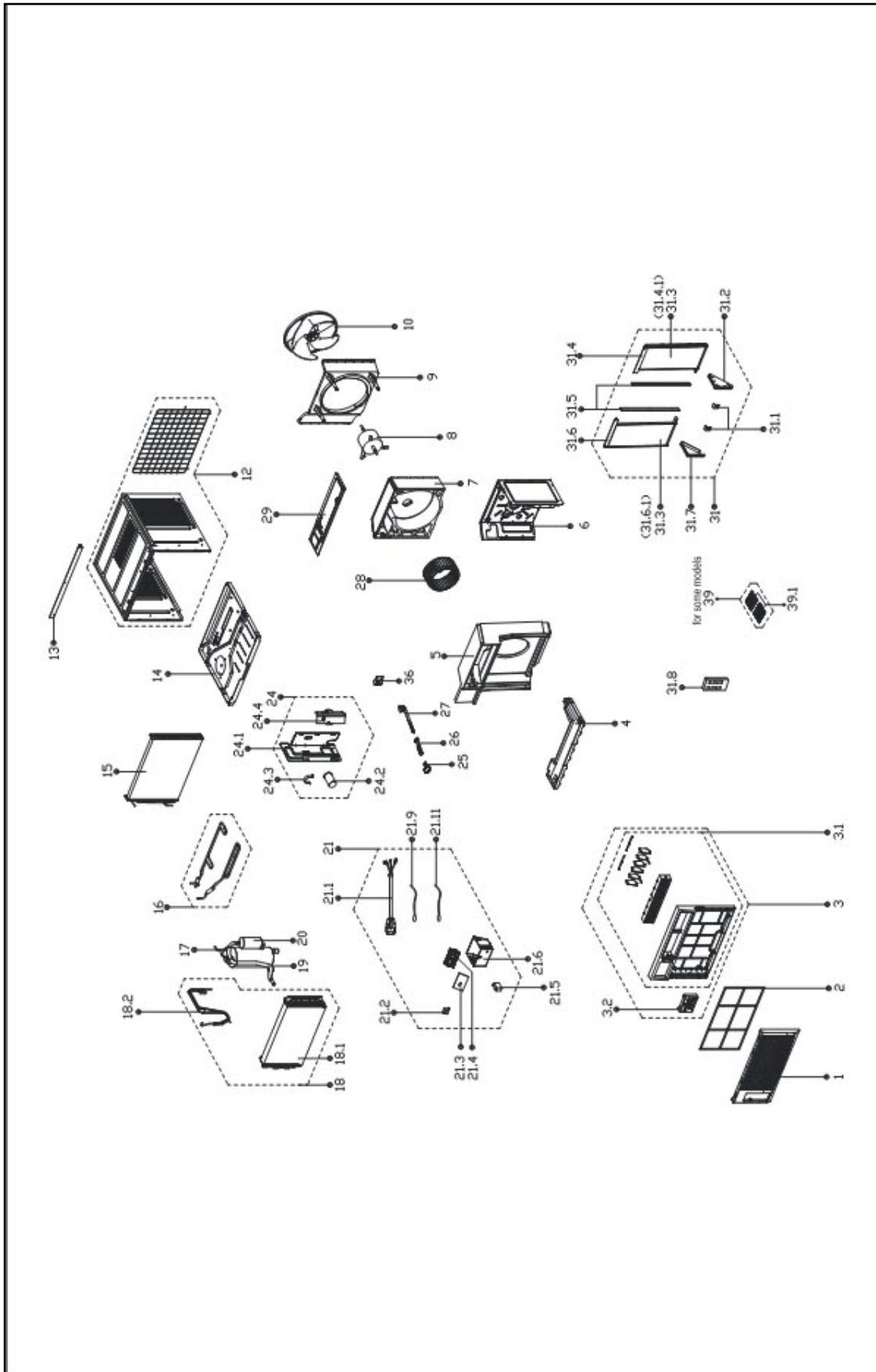
----- Manual continues below -----



PARTS LIST

Room Air Conditioner with R-410A: RADS-253P

EXPLODED VIEW



REPLACEMENT PARTS

Location	Part Name	Quantity	Part No.
1	Front panel	1	12120300A06581
2	Air filter	1	12100204A00306
3	Front panel and Panel frame assembly	1	12120300A07536
3.1	Front panel and Panel frame assembly	1	12120300A06607
3.2	Display box assembly	1	17220300A05263
4	Water collector	1	12820300000026
5	Front volute shell	1	12820300000135
6	Front right barrier board assembly	1	12220300000573
7	Rear volute shell	1	12820300000043
8	Asynchronous motor	1	11002012004746
9	Rear barrier board assembly	1	12120300000555
10	Axial flow fan	1	12100105000076
12	Cabinet assembly	1	12220300000823
13	Top shutter frame	1	12220300000904
14	Chassis assembly	1	12220300000397
15	Condenser assembly	1	15820300000746
16	Cooling coil	1	15120300001135
17	Discharge pipe	1	15120300000891
18	Evaporator assembly	1	15820300000040
18.1	Evaporator assembly	1	15820300000414
18.2	Capillary assembly	1	15120300001154
19	Suction pipe assembly	1	15120300001305
20	Compressor	1	11103010002993
21	Electronic control box assembly	1	17220300000523
21.1	Power cord	1	17401202000107
21.2	Transformer	1	11203103000249
21.3	Main control board assembly	1	17120300000549
21.4	Bracket of main control board	1	12120300000521
21.5	Capacitor of fan motor	1	17400101000001
21.6	Electronic control box	1	12220300000503
21.9	Ambient temperature sensor assembly	1	11201007000003
21.11	Pipe temperature sensor assembly	1	11201007000126
24	Front left barrier board assembly	1	12220300000579
24.1	Front left barrier board assembly	1	12220300001115
24.2	Capacitor of compressor	1	17400103000061
24.3	Capacitor clip	1	12200203000029
24.4	Capacitor box	1	12220300000459
25	Connecting rod of fresh air door	1	12120300002826
26	Bracket of fresh air door	1	12120300001286
27	Fresh air door	1	12120300002825
28	Centrifugal fan	1	12100103000103
29	Front cover	1	12220300000523
31	Installing Accessories	1.0	12020300A00905
31.1	Installing Located Block	2.0	12220300000536
31.2	Right clapboard	1.0	12220300000927
31.4	Right shutter frame	1.0	12120300003227
31.4.1	Shutter	1.0	12120300003145
31.5	Connecting bar of cabinet	2.0	12120300003146
31.6	Left shutter frame	1.0	12120300003226
31.6.1	Shutter	1.0	12120300003148
31.7	Left supporting panel	1.0	12220300000933
31.8	Remote controller	1.0	17317000A14561
36	Bracket of fresh air	1	12120300001264

Due to ongoing product improvements, specifications and dimensions are subject to change and correction without notice or incurring obligations. Determining the application and suitability for use of any product is the responsibility of the installer. Additionally, the installer is responsible for verifying dimensional data on the actual product prior to beginning any installation preparations.

Incentive and rebate programs have precise requirements as to product performance and certification. All products meet applicable regulations in effect on date of manufacture; however, certifications are not necessarily granted for the life of a product. Therefore, it is the responsibility of the applicant to determine whether a specific model qualifies for these incentive/rebate programs.

Comfort-Aire®

1900 Wellworth Ave., Jackson MI 49203 • Ph. 517-787-2100 • www.comfort-aire.com



www.marsdelivers.com • www.heatcontroller.com